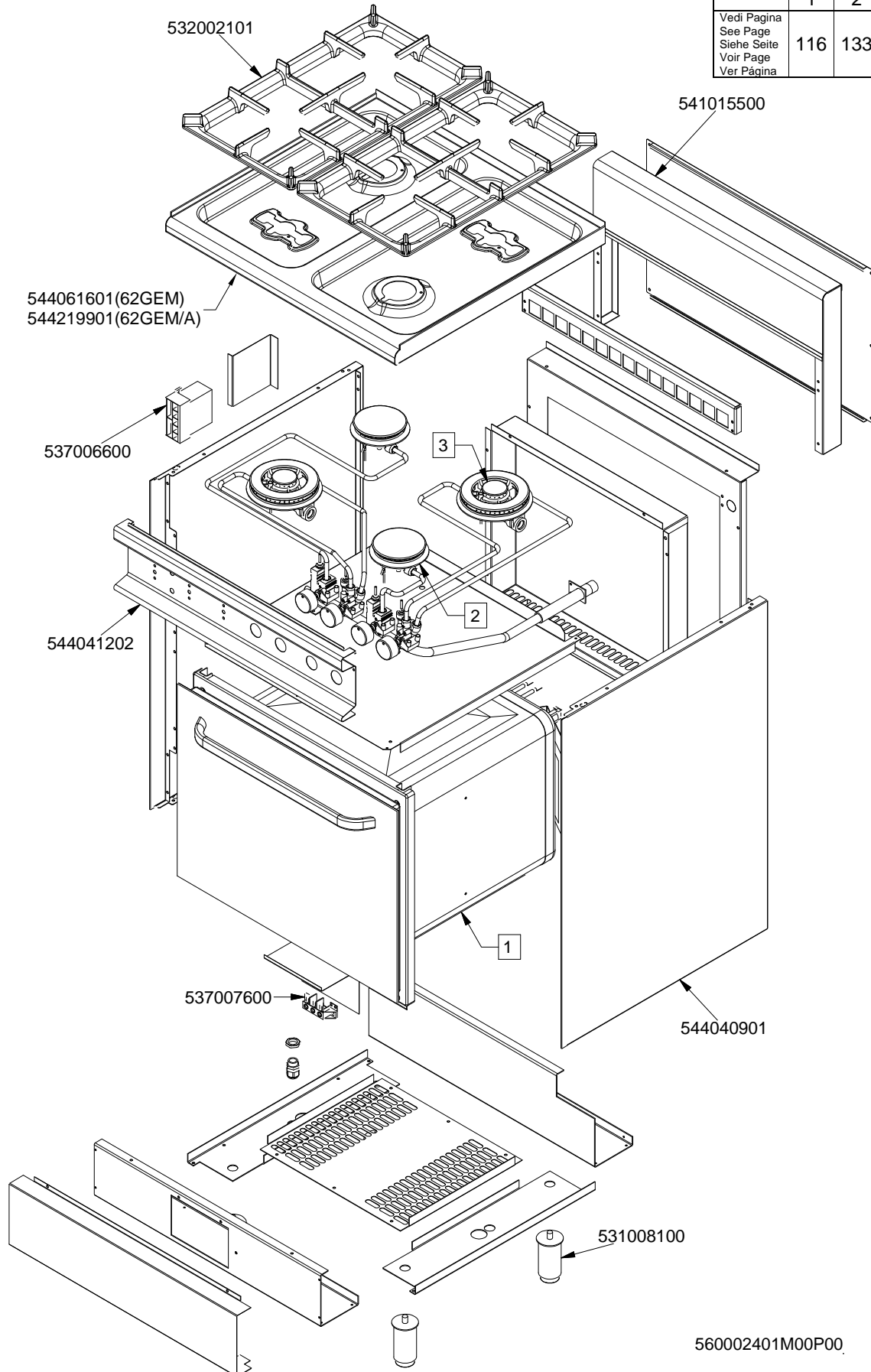


MAGIC SNACK 60

CUCINE / RANGES / HERDE / CUISINIÈRES / N° 20310
CF-62

CF-62GEM CF-62GEM/A

	1	2	3
Vedi Pagina			
See Page	116	133	134
Siehe Seite			
Voir Page			
Ver Pàgina			

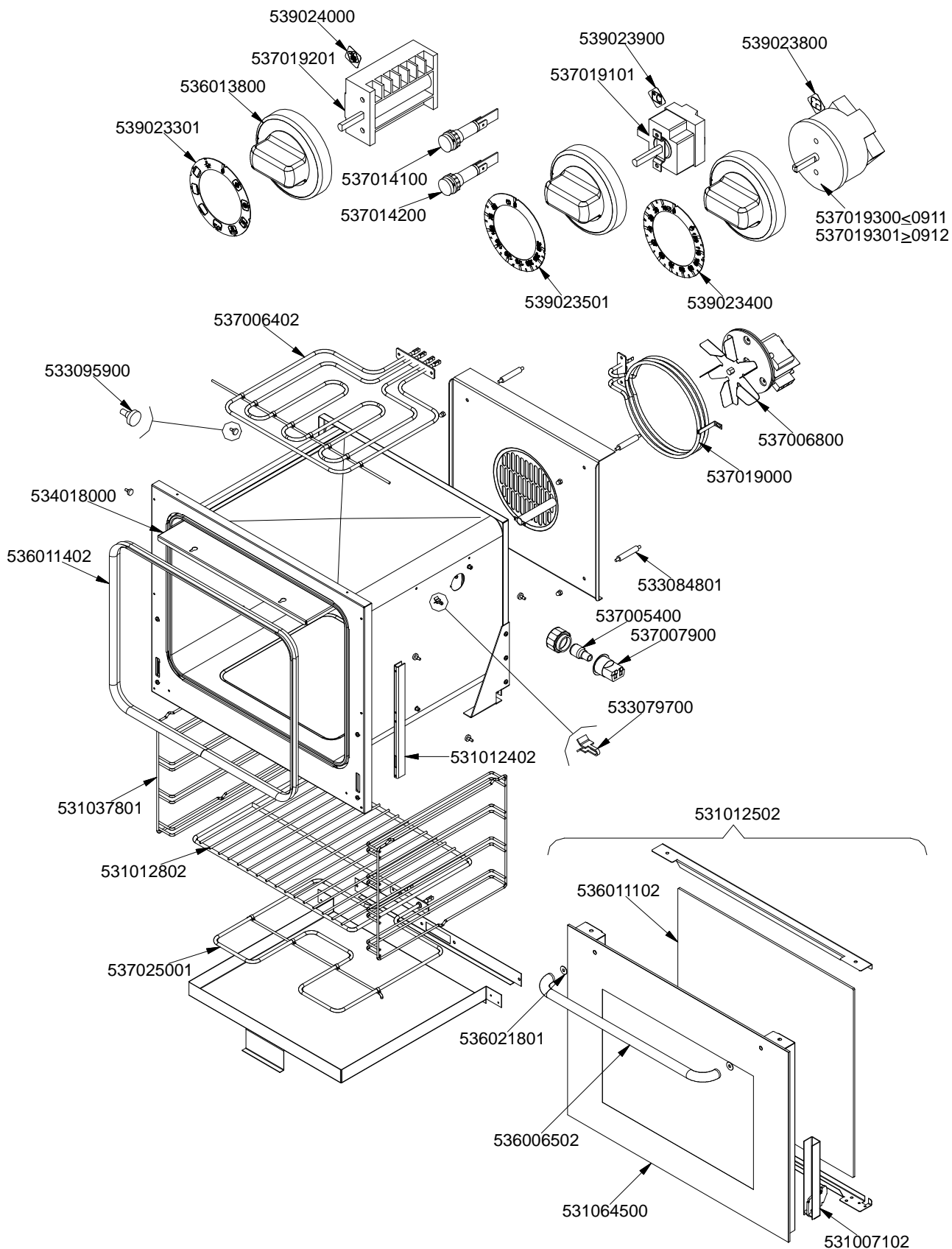


MAGIC SNACK 60

CUCINE / RANGES / HERDE / CUISINIÈRES / N° ≥0310

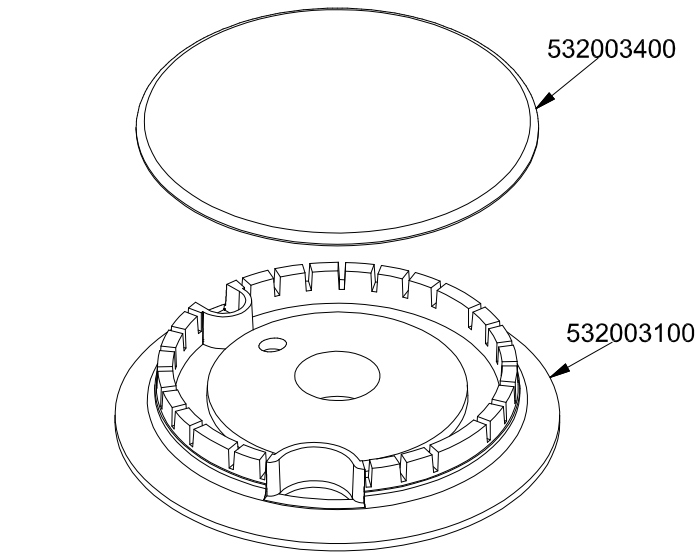
FORNO / OVEN / BACKOFEN / FOUR / CF-62

ELETTORICO MULTIFUNZIONE / MULTIFUNCTION ELECTRIC / MULTIFUNKTIONS
ELEKTRO / ELECTRIQUE A FONCTIONS MULTIPLES ≥0707

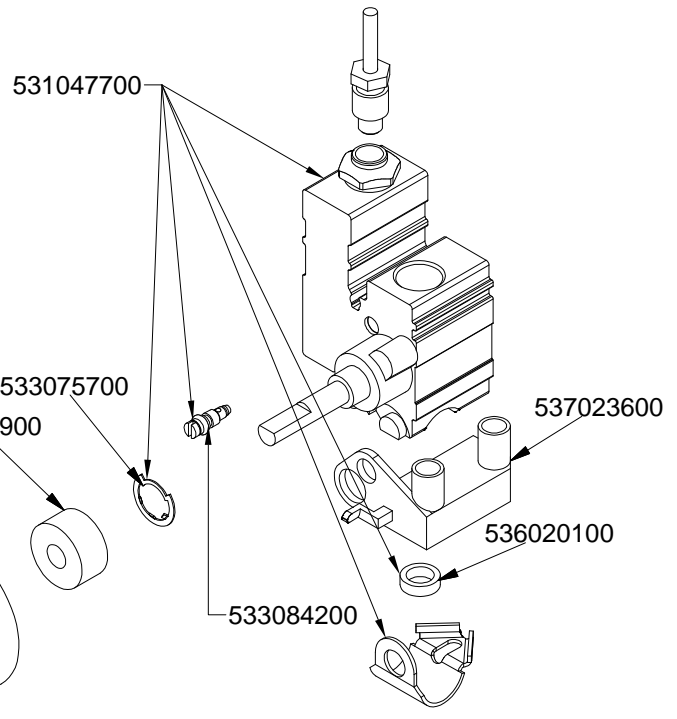
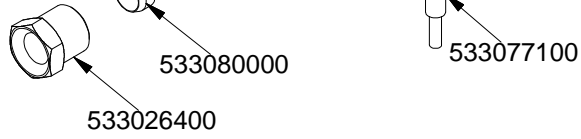
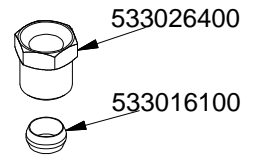
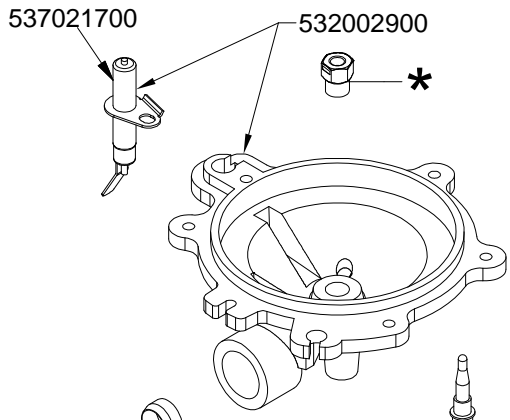


560003602M00P00

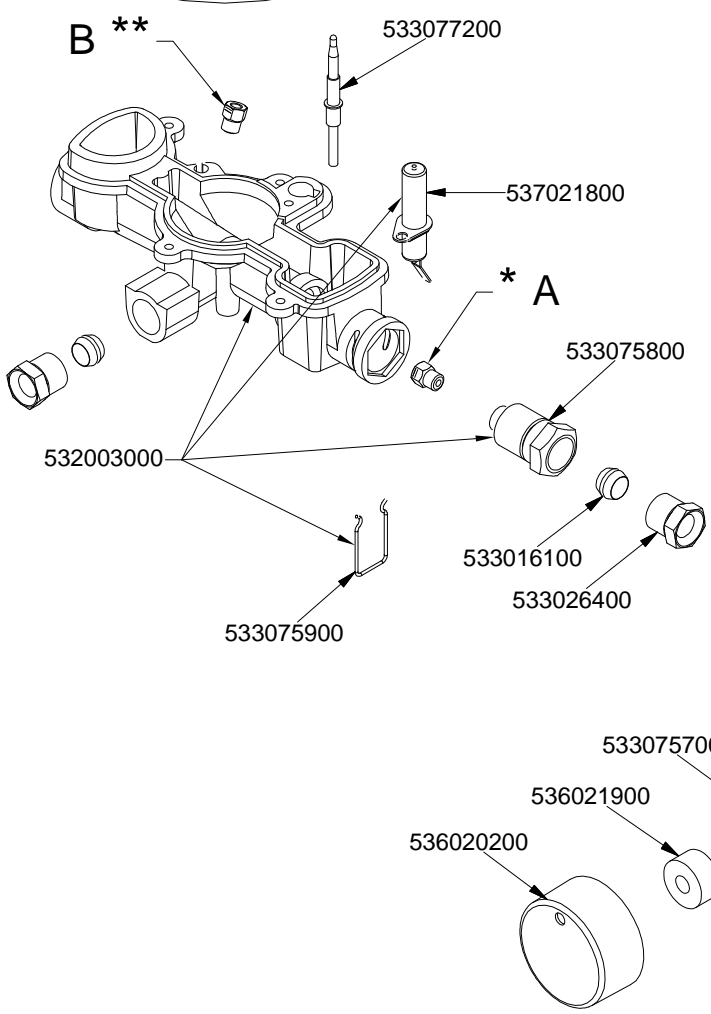
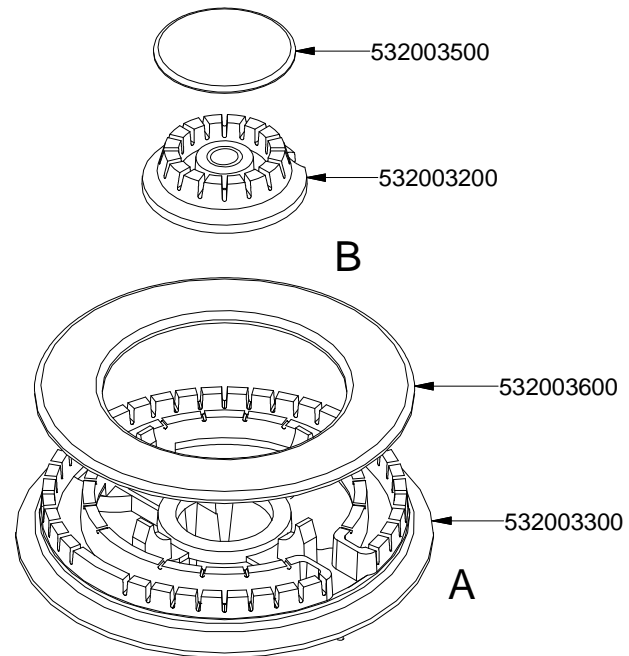
PC-G R N



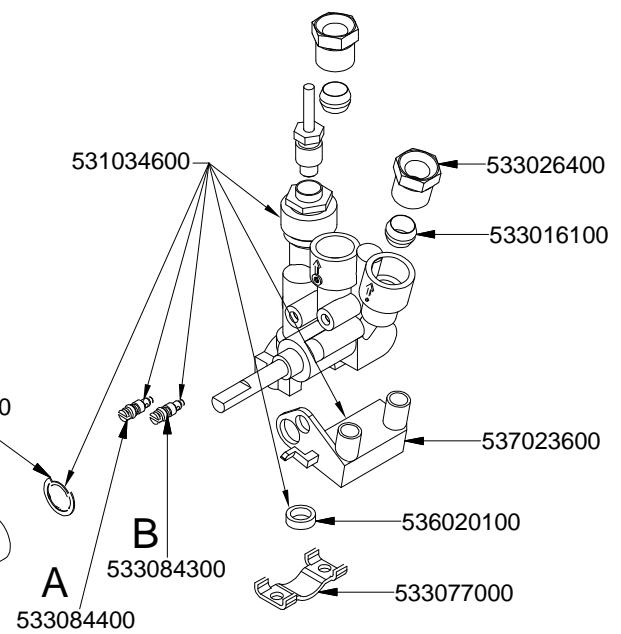
	*
G30-28+30mbar G31- 37mbar	533080600
G30- 50mbar	533083700
G20- 20mbar G25- 25mbar	533080700
G20- 20mbar DE-AT	533080700
G25- 20mbar	533080800
G25- 25mbar NL	533080900
G20- 25mbar	



PC-G WOK



	*	**
G30-28+30mbar G31- 37mbar	533081000	533082200
G30- 50mbar	533082300	533083000
G20- 20mbar G25- 25mbar	533081200	533081100
G20- DE-AT	533081200	533081100
G25- 20mbar	533081400	533081300
G25- NL	533081500	533081300



560025101M00P00

Page	Pos	Code	Description
001		532002101	GRILL 2 BURNERS 292X507 (60)
001		541015500	NEUTRAL SPACER 62
001		544061601	UPPER PLATE PC-62G CF-62G (NEW MOD)
001		537006600	IGNITION UNIT 4 FLAMES V230
001		544041202	CONTROL PANEL FOR CF-62GE CE
001		537007600	TERMINAL BLOCK SINGLEPHASE 40A
001		544040901	SIDE RANGE CF-62
001		531008100	ADJUSTABLE LEG H9 CHROME
002		539024000	SIGN PLATE FOR OVEN SELECTOR
002		537019201	OVEN COMMUTATOR MULTIF.60+65
002		536013800	KNOB D.70 BLACK 6*5 WITH SPRING
002		539023301	ADHESIVE GRADUATED*EL.MULTIF.COMM.
002		537014100	WHITE WARNING LIGHT 250V
002		537014200	GREEN WARNING LIGHT 250V
002		539023900	SIGN PLATE FOR OVEN TEMPERATURE
002		537019101	THERMOSTAT MONOPHAS.050-320°C F.MF
002		539023800	SIGN PLATE FOR OVEN TIMER
002		537019300	TIMER FOR MULTIFUNCTION OVEN
002		537019301	
002		539023501	ADHESIVE GRAD.DISC *E.MULTIF.TERM.
002		539023400	ADHESIVE GRADUATED DISC F.KNOB
002		537006402	OVEN ELEMENT * 62 SUP. 2500W 230V
002		533095900	PIN FOR GRIDHOLDER SUPPORT CF 60
002		537006800	FAN 240V CF-62
002		537019000	CIRCULAR HEATING ELEMENT FOR OVEN
002		534018000	
002		536011402	OVEN GASKET CF-62
002		533084801	PANEL SPACER OF AIR DIFF.MAXI OVEN
002		537005400	OVEN BULB 15W 300°C
002		537007900	OVEN BULB-SOCKET
002		533079700	LOCK SPRING FOR BULB §3/§4
002		531012402	DOOR WHEEL HOLDER FOR MAXI OVEN
002		531037801	SUPPORT GRID OVEN NEW CF-62E
002		531012802	OVEN GRID CF-62E
002		537025001	OVEN HEATING EL.W1600 V230 62
002		531012502	COMPLETE OVEN DOOR 60*GLAS
002		536011102	
002		536021801	DOOR HANDLE SPACER FOR MAXI OVEN
002		536006502	OVEN DOOR HANDLE 60LINE AL.
002		531064500	EXTERNAL GLASS OVEN DOOR+FRAME*CF62
002		531007102	OVEN DOOR HINGE FOR 60LINE
003		532003400	QUICK BURNER COVER
003		532003100	QUICK BURNER RING 640
003		537021700	PLUG IGNITION FOR QUICK BURNER
003		532002900	QUICK BURNER BODY 740
003		533026400	ELBOW FOR BICONE D.8 M13X1
003		533016100	BICONE D.8
003		531047700	TAP WITH VALVE 699 BY PASS § 40
003		533077100	THERMOCOUPLE 600 M8*1 QUICK BURNER
003		533080000	BICONE § 8
003		533075700	

Page	Pos	Code	Description
003		536021900	MAN.EXTENSION MICRO DRIVING TAP 60
003		536002501	COCK KNOB SNACK PC
003		537023600	MICRO-SWITCH FOR COCK 250V 0,0054
003		536020100	TAP GASKET 699
003		533084200	BY PASS COCK §40 699
003		533080600	NOZZLE §88 CH7*9,3 G30-30 R
003		533083700	NOZZLE §80 CH7*22 G30-50 R
003		533080700	NOZZLE §134 CH7*9,3 G20-20 R
003		533080800	NOZZLE §143 CH7*9,3 G25-20 R
003		533080900	NOZZLE §134A CH7*9,3 G25-25NL R
004		532003500	CENTRAL BURNER COVER WOK
004		532003200	CENTRAL BURNER RING WOK 647
004		532003600	EXTERNAL BURNER COVER WOK
004		532003300	EXTERNAL BURNER RING WOK
004		533077200	THERMOCOUPLE 600 M8*1 QUICK BURNER
004		537021800	PLUG IGNITION FOR WOK-BURNER
004		533075800	FITTING FOR NOZZLE-SUPPORT M12X1,25
004		532003000	BURNER BODY WOK 743
004		533016100	BICONE D.8
004		533026400	ELBOW FOR BICONE D.8 M13X1
004		533075900	
004		531034600	TAP WITH VALVE 2OUT009 BYPASS 32/57
004		533075700	
004		537023600	MICRO-SWITCH FOR COCK 250V 0,0054
004		536021900	MAN.EXTENSION MICRO DRIVING TAP 60
004		536020200	COCK KNOB SNACK 2. PC
004		536020100	TAP GASKET 699
004		533084300	BY PASS COCK §32 009
004		533077000	TAP BRIDLE 2 OUT 009
004		533084400	BY PASS COCK §57 009
004		533081000	NOZZLE §84 CH7*9,3 G30-30 W EST.
004		533082200	NOZZLE §51 CH7*11 G30-30 W INT.
004		533082300	NOZZLE §76 CH7*11 G30-50 W.EXT.
004		533083000	NOZZLE §51 CH7*20 G30-50 W INT.
004		533081200	NOZZLE §130 CH7*9,3 G20-20 W EST.
004		533081100	NOZZLE §80 CH7*9,3 G20-20 W INT.
004		533081400	NOZZLE §142 CH7*9,3 G25-20 W EST.
004		533081300	NOZZLE §125 G20
004		533081500	NOZZLE §135 CH7*9,3 G25-25NL W EST.