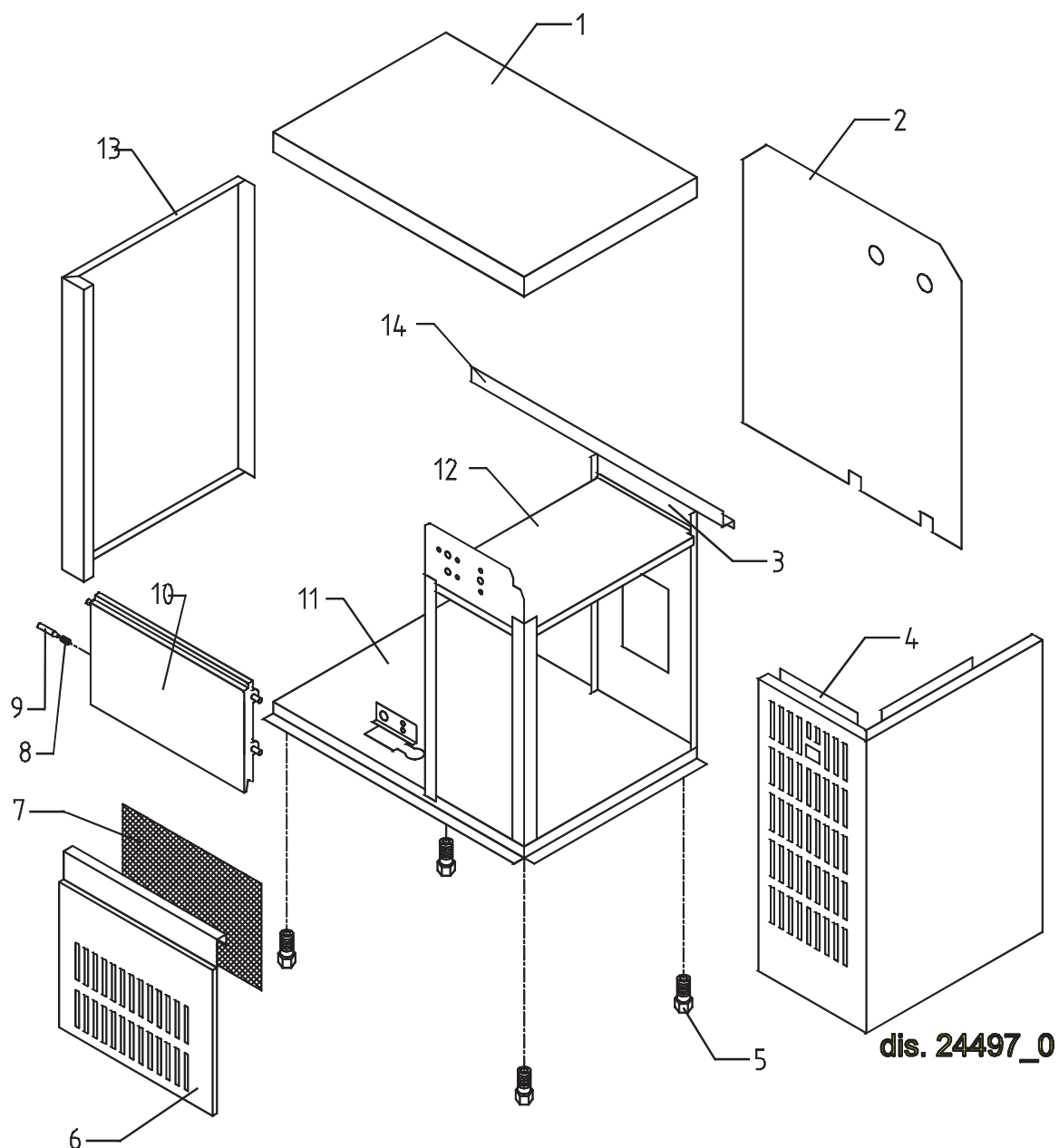


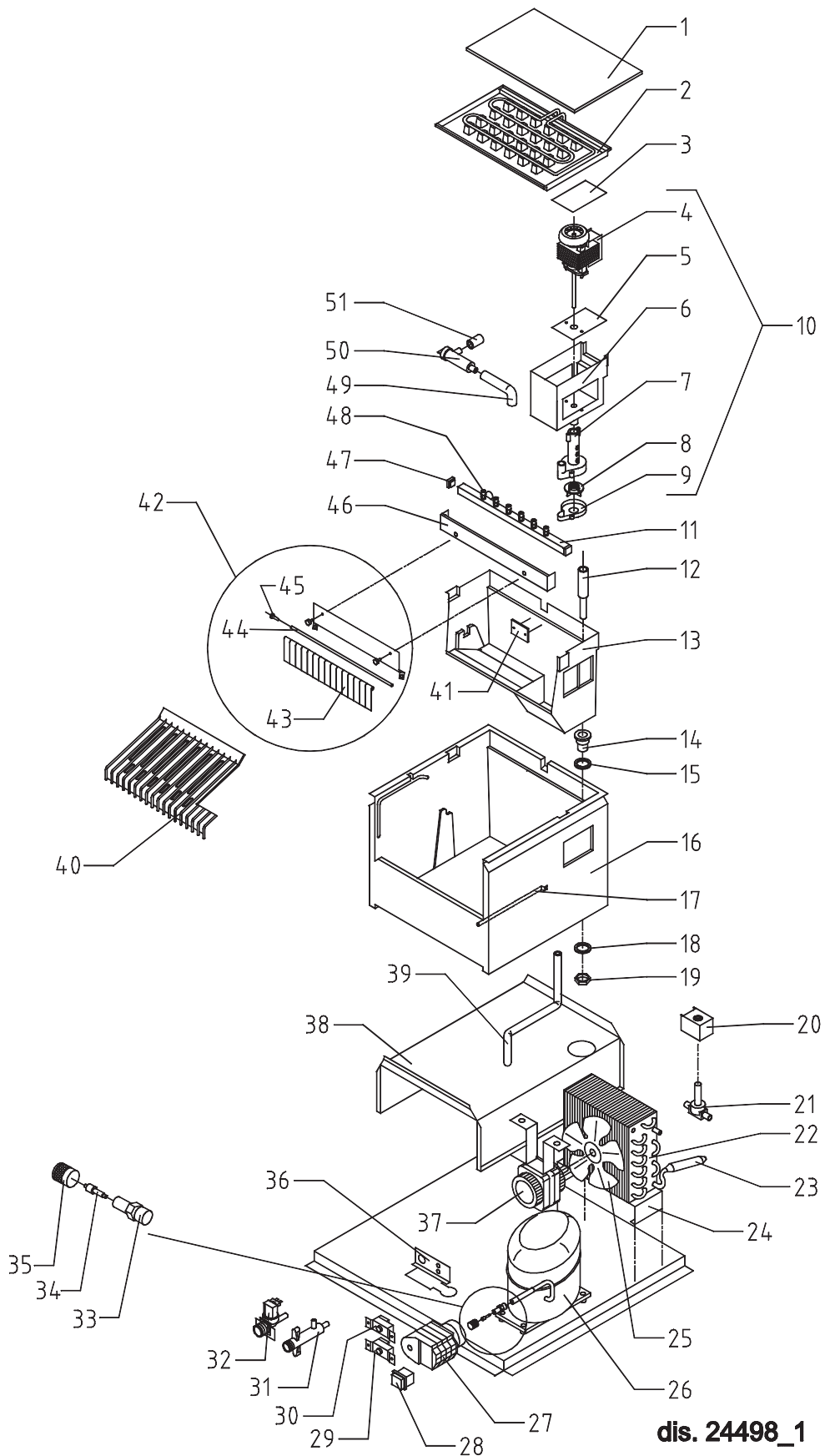
Shell assembly Mod. IC18-30



Shell assembly Mod. IC18 (TAB. 30)

Ref.	Description	Refrigerant	A/W	Tension	Code
1	Top assembly				C22199
2	Back panel				21161
4	Right & front panel (fan side)				22308
5	Foot				10017
6	Front panel				22307
7	Filtering panel				18074
10	Blue door				10081
11	Base plate				21105
12	Fan motor & electrical components support plate				22301
13	Left panel				22309
14	Back frame				21156

Cooling system assembly + Hydraulic circuit Mod. IC18



dis. 24498_1

Cooling system assembly + Hydraulic circuit Mod. IC18 (TAB. 33)

Ref.	Description	Refrigerant	A/W	Tension	Code
1	Evaporator cover				10076
2	Evaporator				D10079
3	Pump cover				22096
4	Pump motor			1	23073
4	Pump motor			2	23187
4	Pump motor			3	23188
5	Heat dissipator				22430
6	Pump motor container				10073
7	Pump body				10065
8	Pump impeller				10066
9	Diffuser				10067
10	Pump assy			1	C23076
10	Pump assy			2	C23270
10	Pump assy			3	C23271
11	Sprayers bar assembly				C20147
12	Overflow pipe				13028
13	Inner basin				10064
14	Plastic nipple water outlet				10007
15	Silicone gasket				13006
16	Foamed basin				11016
17	Bulbe thermostat tube				20519
18	Semirigid polyethylene gasket				13007
19	Bin discharge nut				10096
20	Hot gas coil			1-2	23091
20	Hot gas coil			3	23256
21	Hot gas valve body				20410
22	Air condenser				20094
23	Molecular drier				14009
24	Air condenser support				21155
25	Suction fan				20095
26	Compressor	R404A		1	23436
26	Compressor	R404A		2	23494
26	Compressor	R404A		3	23446
26	Compressor	R22		1	23197
26	Compressor	R22		2	23346
26	Compressor	R22		3	23368
27	Timer			1-2	23247
27	Timer			3	23258
28	Green light switch				23327
29	Evaporator thermostat				23591
30	Bin thermostat				23005
31	Exhaust manifold				10006
32	Inlet watervalue 1 way			1-2	23300
32	Inlet watervalue 1 way			3	23415
33	Vacuum- charge valve body				14007
34	Vacuum-charge valve device				14005
35	Vacuum-charge valve plug				14006
36	Support (water valve & discharge)				21149
37	Fan motor			1-2	23029
37	Fan motor			3	23265
38	Bin support saddle				21154
39	Water discharge pipe				13065
40	Ice cubes slide				10136

41	Slide keep plate				10142
42	Flags support assy				C22106
43	Flag				10005
44	Flags rod				12029
45	Flags rod clip				10010
46	Evaporator holder				22097
47	Sprayers bar plug				10012
48	Sprayer				D20002
49	Pump-filter connection pipe				13055
50	Pump filter				10139
51	Filter-sprayers bar connection pipe				13056

Note: 17. Code 20092 until number 94092. Code 20519 from number 94093.
28. Code 23327 from September 1994. Before Code 23061.