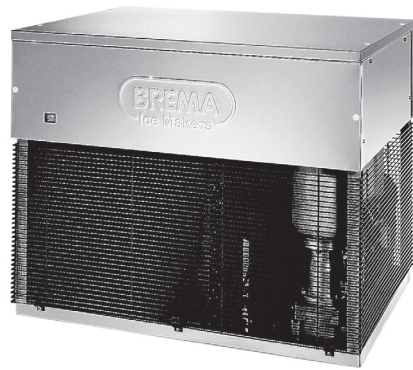




**G 1000**

# LIST OF THE EXPLODED VIEWS



*SHELL ASSY*

*COOLING SYSTEM*

*EVAPORATOR*

*HYDRAULIC CIRCUIT*

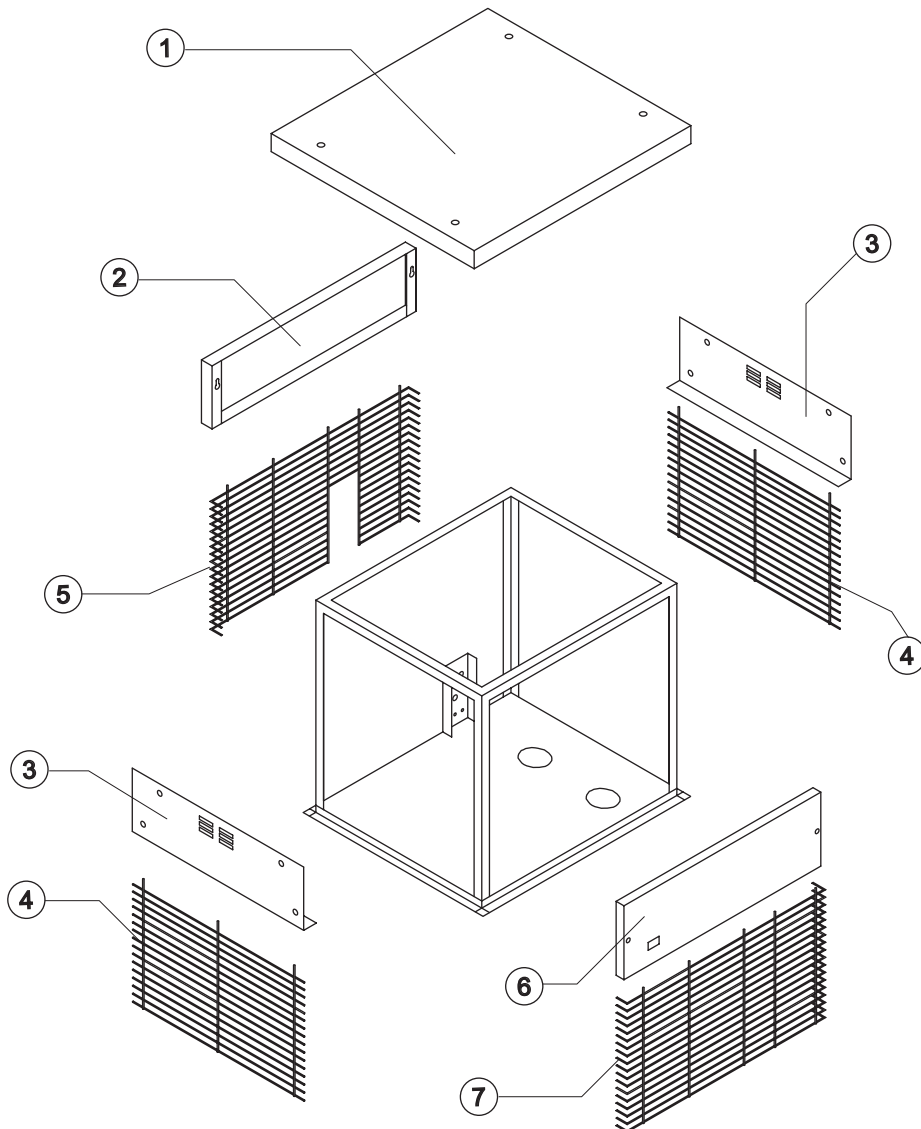
*ELECTRIC PARTS*

Rev. 9 - 17/07/2009



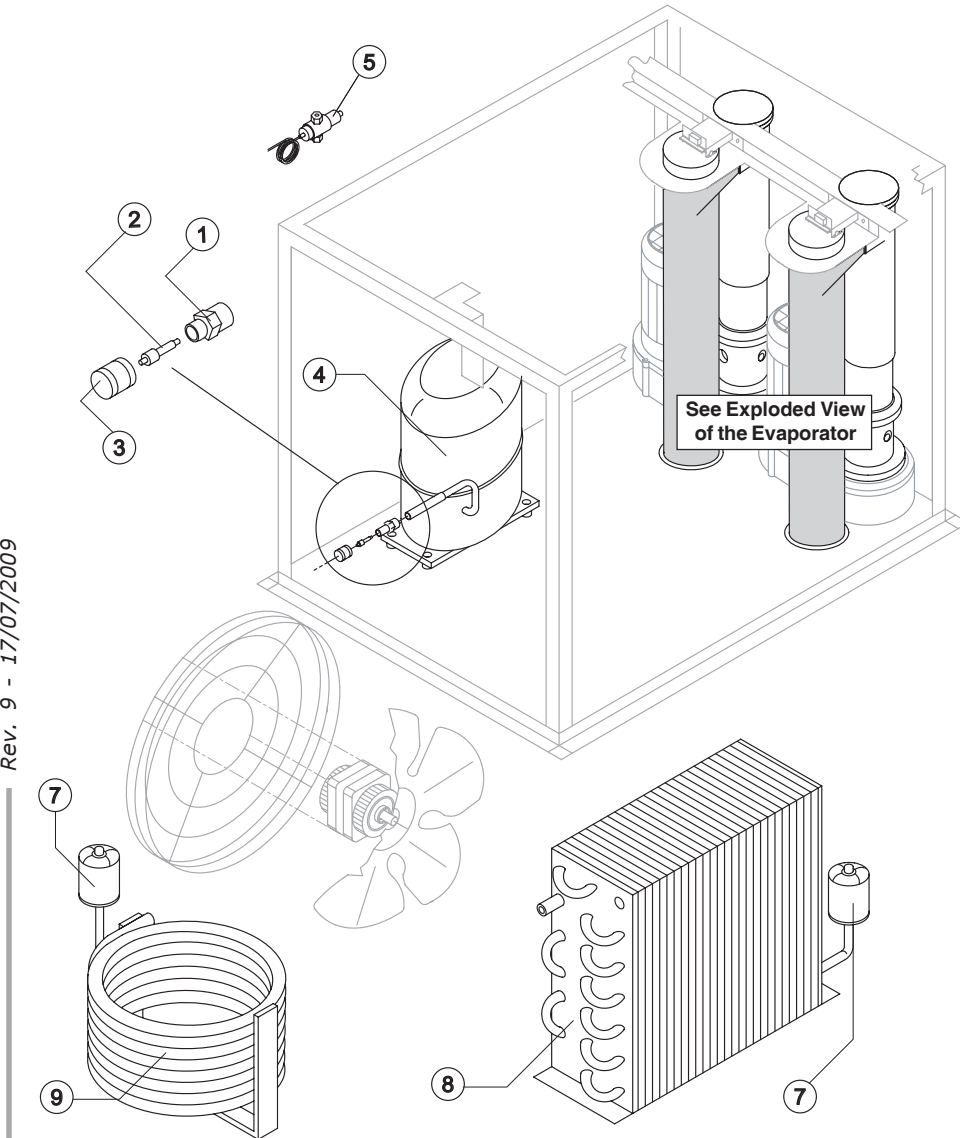
# G 1000

## SHELL ASSY



### Common Parts

Ref.	Spare Description	Code
1	Top	22681
2	Rear Panel	22684
3	Right/Left Side Panel	22682
4	Side Grid	D12064
5	Rear Grid	D12063
6	Front Panel Assembly	C22683B
7	Front Grid	D12062



### Common Parts

Ref.	Spare Description	Code
1	Vacuum-Charge Valve Body	14007
2	Vacuum-Charge Valve Device	14005
3	Vacuum-Charge Valve Plug	14006
4	Compressor	See Table
7	Solid Core Drier	14255

### Parts for Air-Cooled Version Only

Ref.	Spare Description	Code
8	Air Condenser	20396

### Parts for Water-Cooled Version Only

Ref.	Spare Description	Code
5	Pressostatic Valve	20149
9	Water Condenser	14285

### Ref. 4 - Compressor

Tension	Code
T15	23583
T16	23618
T20	23618



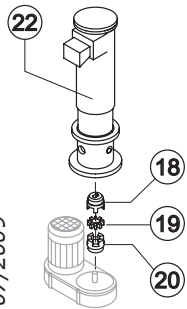
# G 1000

# EVAPORATOR

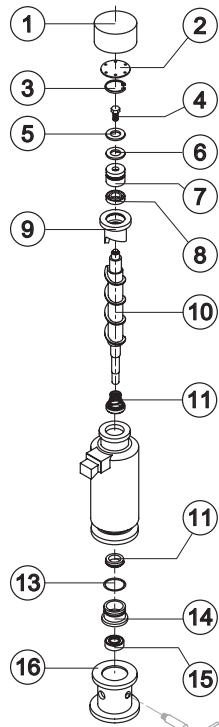
Rev. 9 - 17/07/2009

Current Version

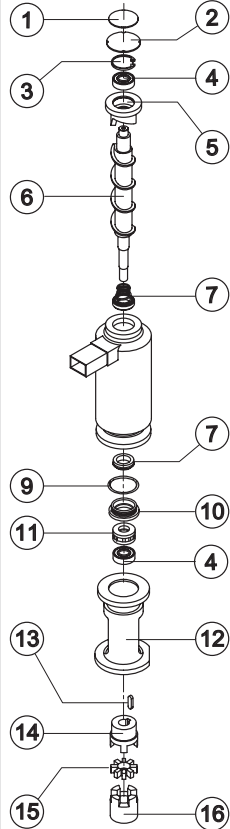
Till s/n.160132



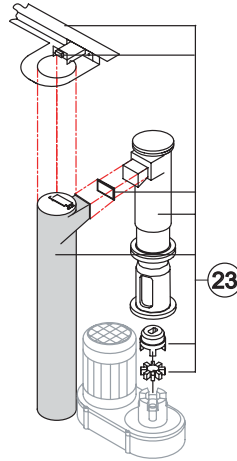
**C11113.**  
**KITNEVG500**  
till s/n.  
230551.



For Complete  
Evaporator, order  
**C11113**



For Complete  
Evaporator, order  
**KITNEVG500**



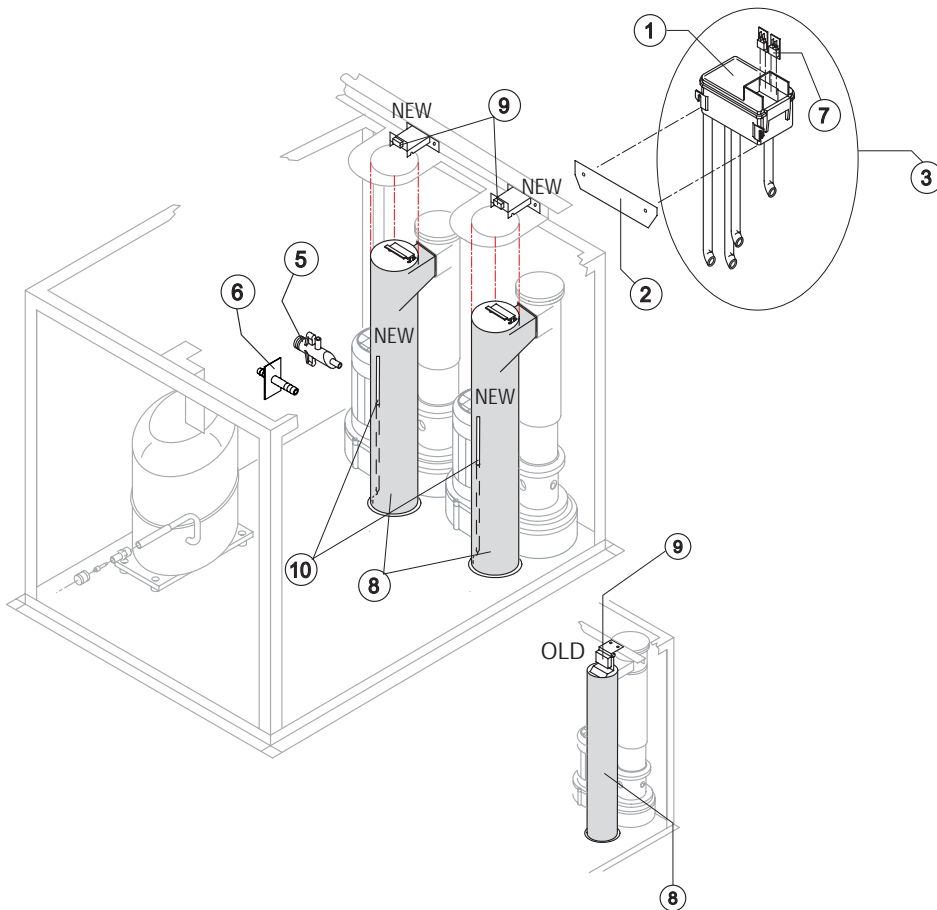
**KITNEVG500**

Ref.	Spare Description (Current Version)	Code
1	Insulating Cap	18165
2	Closing Disk	22670
3	Seeger	20116
4	Stainless Steel Screw	Current Version 20664
4	Stainless Steel Screw	Till s/n. 169028 15094
5	Shimming Disk	22829
6	Self-Lubricating Disk	20639
7	Stainless Steel Thrust Bearing	Current Version 20685
7	Stainless Steel Thrust Bearing	Till s/n. 205975 20648
8	OR Gasket 4137	Current Version 20689
8	Seal Ring	Till s/n. 205975 20640
9	Ice Breaker	Current Version 20781
9	Ice Breaker	Till s/n. 218277 R20645
10	Auger	Current Version 20780
10	Auger with Screw	Till s/n. 218277 C20646
11	Ceramic Seal	20643
13	OR Gasket 4312 NBR	20205
14	Reduction Ring	20647
15	Stainless Steel Bearing	20113
16	Flange	20644
18	Semi-Joint Upper	D20642
19	Vibration-Damping Elastomer	20494
20	Semi-Joint Lower	D20493
22	Evaporator Assy	Current Version C11113
22	Evaporatoe Assy	Till s/n. 230551 KITNEVG500

Ref.	Spare Description (Till s/n.155369)	Code
1	Insulating Sponge	18125
2	Closing Disk	22670
3	Seeger	20116
4	Stainless Steel Bearing	20113
5	Ice Breaker	20503
6	Auger	20516
7	Ceramic Seal	20110
9	OR Gasket 4312 NBR	20205
10	Ring for Ceramic Seal	20504
11	Stainless Steel Thrust Bearing	20111
12	Flange	20482
13	Key	20431
14	Semi-Joint Upper	D20517
14	Semi-Joint Upper	Till s/n. 81178 D20493
15	Vibration-Damping Elastomer	20494
16	Semi-Joint Lower	D20493
23	Evaporator Assy	ex C11106 KITNEVG500



Rev. 9 - 17/07/2009



### Common Parts

Ref.	Spare Description	Code	
1	Double Switch Basin	10145	
2	Basin Support Plate	21133	
3	Double Switch Basin Assembly	C10325	
5	Discharges Manifold	C10384	
7	Microswitch	23055	
8	Ice Outlet Pipe Assy	Current Version	C10460
8	Ice Outlet Pipe Assy	Till s/n. 230551	C13115
9	Bin Level Control Microswitch	Current Version	23196
9	Bin Level Control Switch	Till s/n. 230551	C22099
10	Tube porte bulbe	20621	

### Parts for Water-Cooled Version Only

Ref.	Spare Description	Code
6	Connection with Plate	C20462



### Common Parts

Ref.	Spare Description	Code
1	Safety Pressure-Switch (Maximum Pressure)	23342
2	Safety Pressure-Switch (Minimum Pressure)	Current Version 23763
2	Safety Pressure-Switch (Minimum Pressure)	Till s/n. 275972 K23763
4	Anti Radio Interference Filter	C23457
5	Green Light Switch (On-Off)	23327
6	1 Way- Water Inlet Valve	23001
9	Relay	23190
10	Contactor	23147
12	Bin Thermostat	R23421
14	Rotation Sensor	Current Version R23676
14a	Probe of Rotation Sensor	Till s/n. 185689 23634
14b	Rotation Sensor Switchboard	Till s/n. 185689 23633
17	Gearmotor	Current Version See Table
17	Gearmotor	Till s/n.160132 23571
19	Electronic Timer	Till s/n.160132 23560
20	Contactor	Till s/n.160132 23594

### Parts for Air-Cooled Version Only

Ref.	Spare Description	Code
8	Fan Motor	See Table -
11	Condenser Pressure Switch	See Table -
13	Anti Radio Interference Filter	C23459
15	Fan Motor Capacitor	23469
18	Fan Motor Grid	12053

### Parts for Water-Cooled Version Only

Rif.	Descrizione Ricambio	Codice
16	1 Way- Water Inlet Nipple	10239

#### Ref. 8 - Fan motor

Tension	Code
T15	23468
T16	23468
T20	23853

#### Ref. 11 - Cond. Pressure Switch

Tension	Code
T15	23175
T16	23175
T20	23680

#### Ref. 17 - Gearmotor

Tension	Code
T15	23638
T16	23638
T20	23853

Rev. 9 - 17/07/2009

