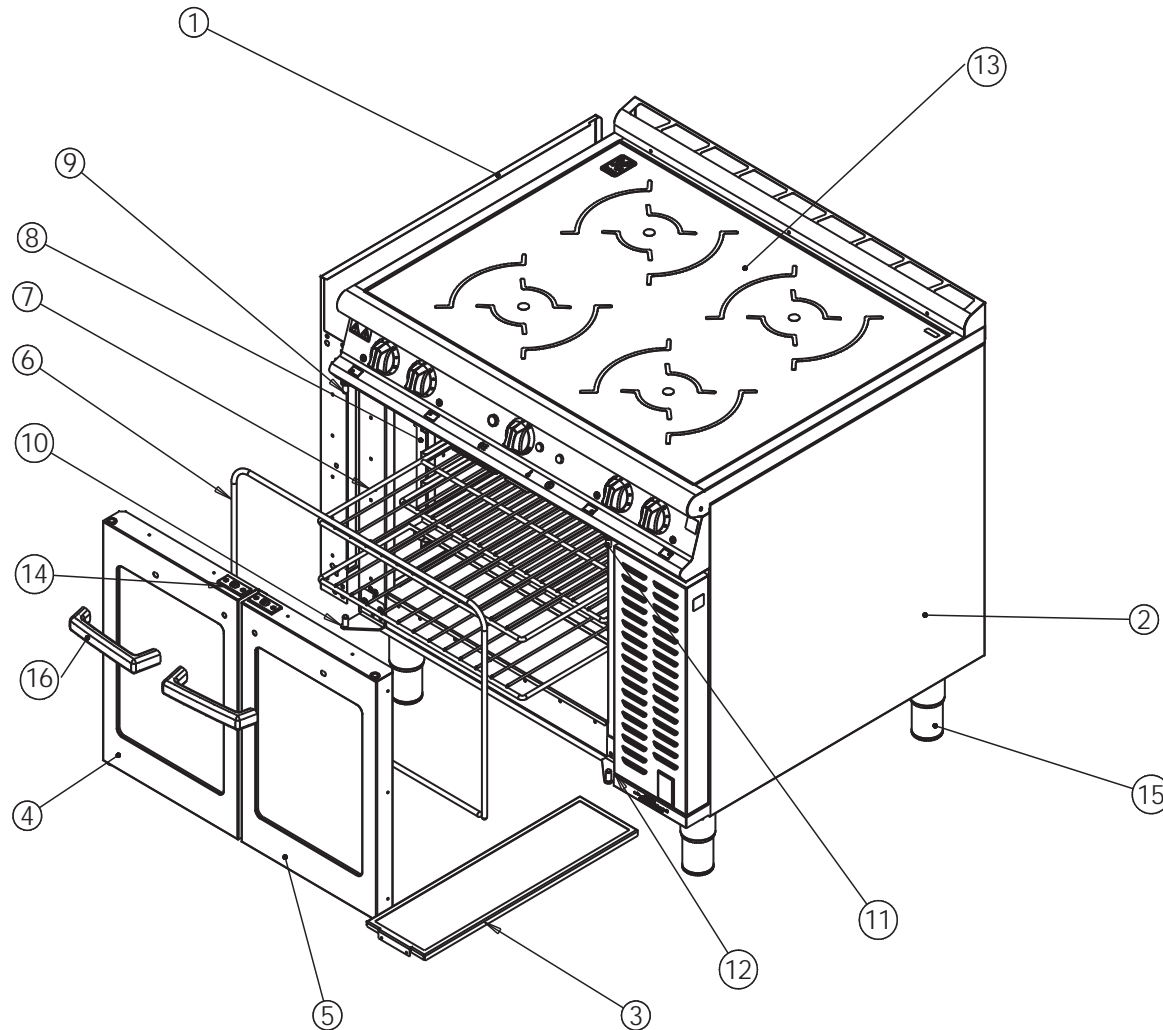


# DOMINATOR PLUS



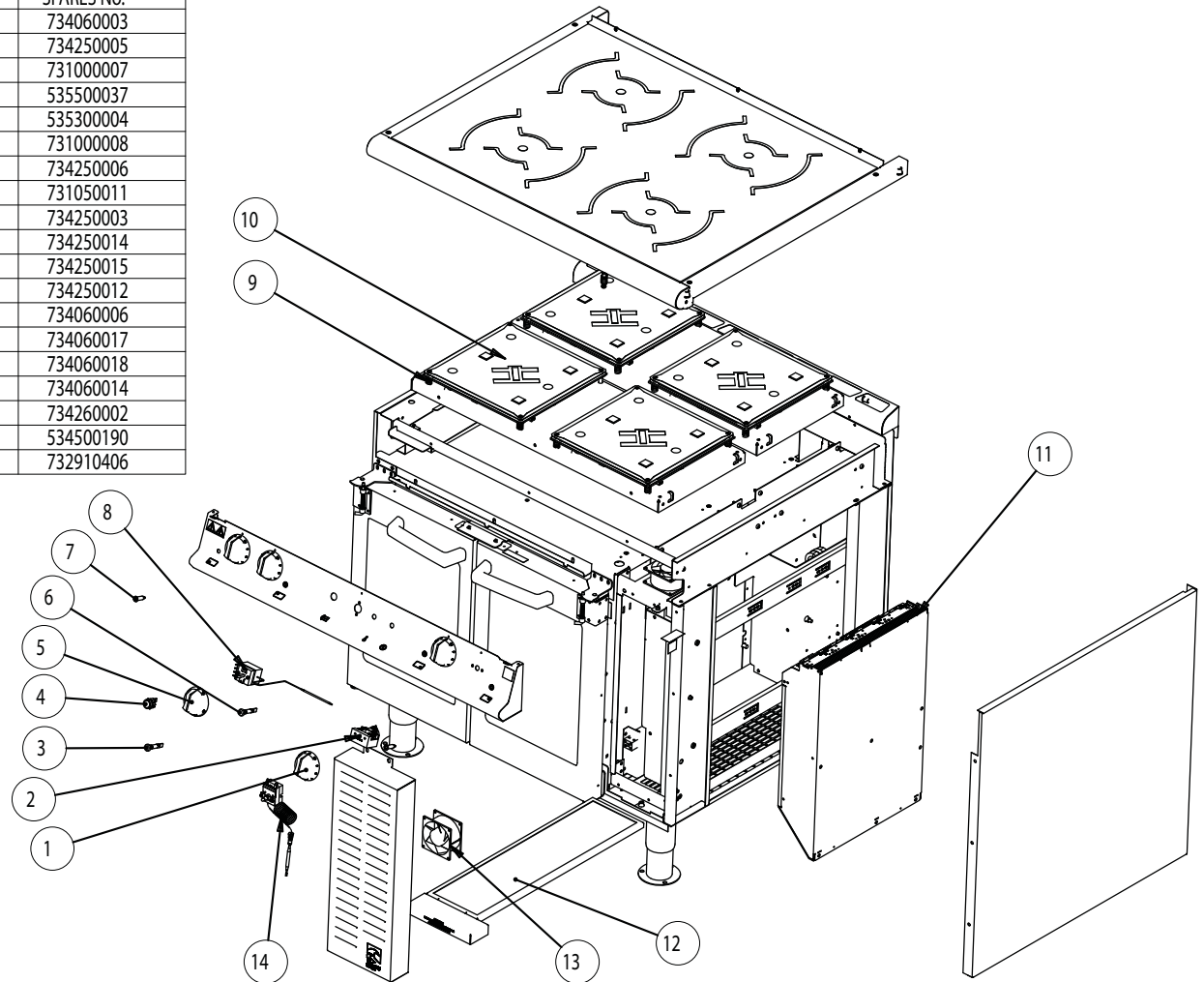
ITEM	DESCRIPTION	SPARES CODE
1	L.H. OUTER SIDE PANEL	734260000
2	R.H. OUTER SIDE PANEL	734260001
3	AIR FILTER	734260002
4	L.H. DOOR ASSEMBLY	734260003
5	R.H. DOOR ASSEMBLY	734260004
6	DOOR SEAL ASSEMBLY	734260005
7	OVEN SHELF	734260006
8	OVEN SHELF HANGER	734260007
9	L.H. TOP DOOR HINGE	535200006
10	L.H. BOTTOM DOOR HINGE	734260008
11	R.H. TOP DOOR HINGE	535200008
12	R.H. BOTTOM DOOR HINGE	734260009
13	HOB PANEL ASSEMBLY	734060005
14	DOOR CATCH	535480054
15	FOOT	535290028
16	DOOR HANDLE	535290022



Issue	Alteration	Date	Product	Document Reference
B	Initial Issue	11/08/11	E3913i/E3914i	AA48555

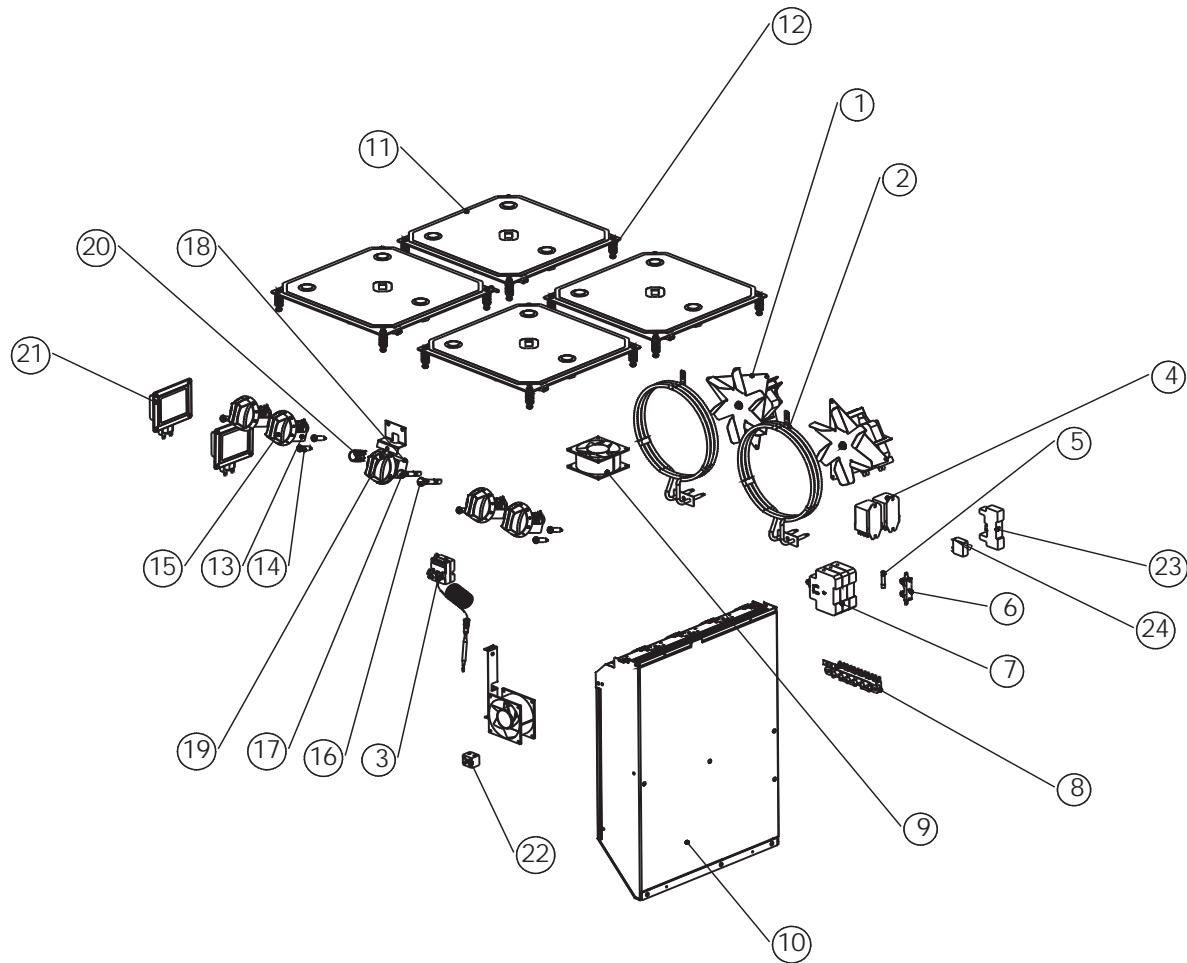
# DOMINATOR PLUS

ITEM	DESCRIPTION	SPARES No.
1	INDUCTION CONTROL KNOB	734060003
2	INDUCTION SWITCH & NEON	734250005
3	AMBER INDICATOR	731000007
4	LIGHT SWITCH	535500037
5	OVEN CONTROL KNOB	535300004
6	RED INDICATOR	731000008
7	GREEN INDICATOR	734250006
8	FAN SWITCH & THERMOSTAT	731050011
9	COIL FIXING KIT	734250003
10	INDUCTION COIL (3.5 OR 5kW 400/440v)	734250014
	INDUCTION COIL (3.5 OR 5KW 208v)	734250015
11	14kW GENERATOR 400v (3.5kW PER ZONE)	734250012
	14kW GENERATOR 440v (3.5kW PER ZONE)	734060006
	20kW GENERATOR 400v (5.0kW PER ZONE)	734060017
	20kW GENERATOR 440v (5.0kW PER ZONE)	734060018
	10.5kW GENERATOR 208v	734060014
12	AIR FILTER	734260002
13	COOLING FAN	534500190
14	OVEN SAFETY THERMOSTAT	732910406



Issue	Alteration	Date	Product	Document Reference
C	7207	04/12/14	E3913i/E3914i	AA50781

# DOMINATOR PLUS



ITEM	DESCRIPTION	SPARES CODE
1	OVEN FAN	731050007
2	OVEN ELEMENT	535420009
3	OVEN SAFETY THERMOSTAT	732910406
4	RELAY	734243005
5	FUSE 2A	734243006
6	FUSE HOLDER	734060001
7	40A MCB	734250009
8	TERMINAL BLOCK	731000006
9	COOLING FAN	734060002
10	GENERATOR	734250001
11	INDUCTION COIL	734250002
12	COIL FIXING KIT	734250003
13	SWITCH C/W POT. & LOOM	734250005
14	GREEN INDICATOR	734250006
15	INDUCTION CONTROL KNOB	734060003
16	RED INDICATOR	731000008
17	AMBER INDICATOR	731000007
18	FAN SWITCH C/W THERMOSTAT	731050011
19	OVEN CONTROL KNOB	535300004
20	LIGHT SWITCH	734243004
21	OVEN LAMP ASSY	734243007
22	TERMINAL BLOCK	734060004
23	RELAY BASE	732920061
24	RELAY FAN LOWER	734060000



Issue	Alteration	Date	Product	Document Reference
B	Initial Issue	11/08/11	E3913i/E3914i	AA48554