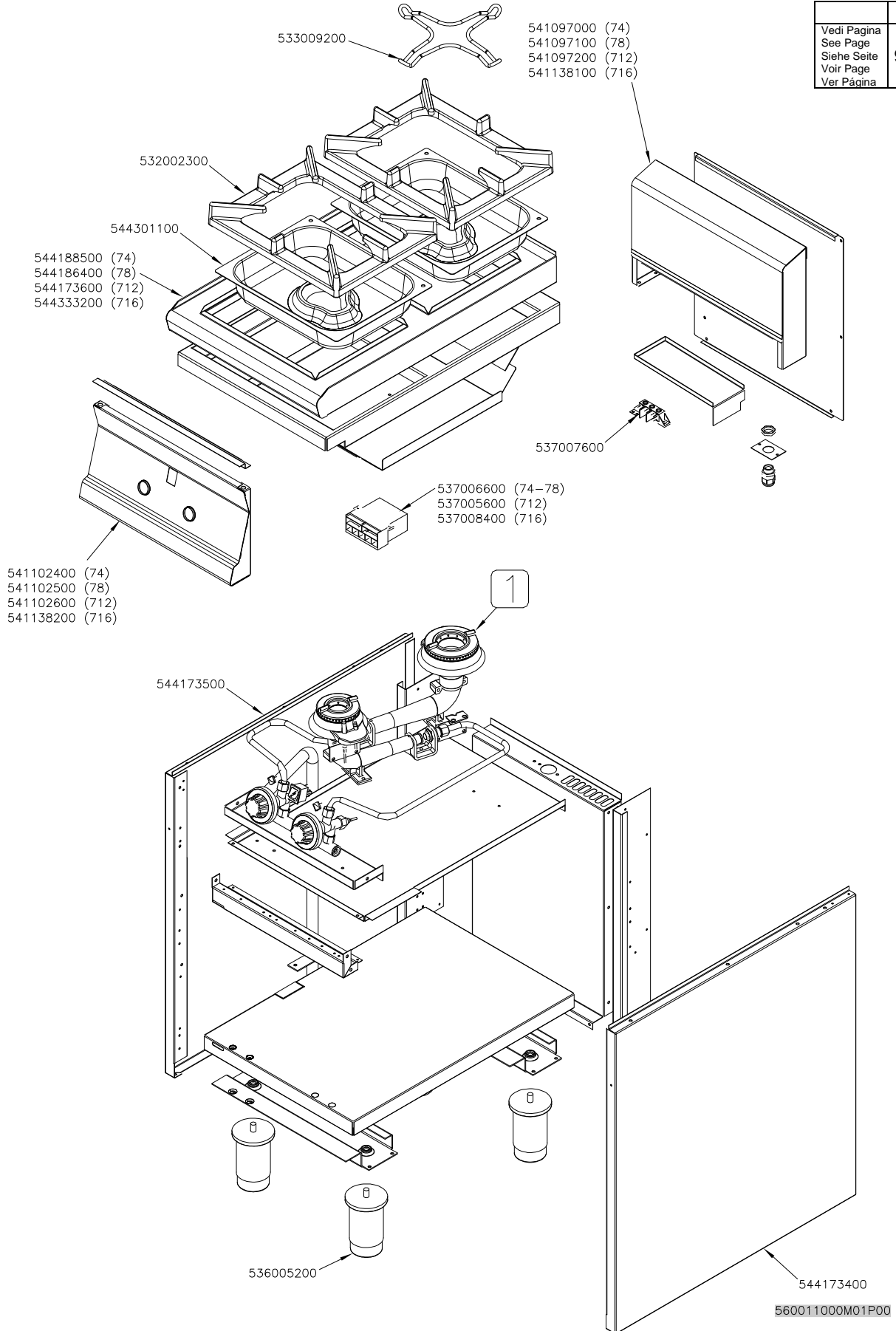


# SUPERLOTUS 70≤0601

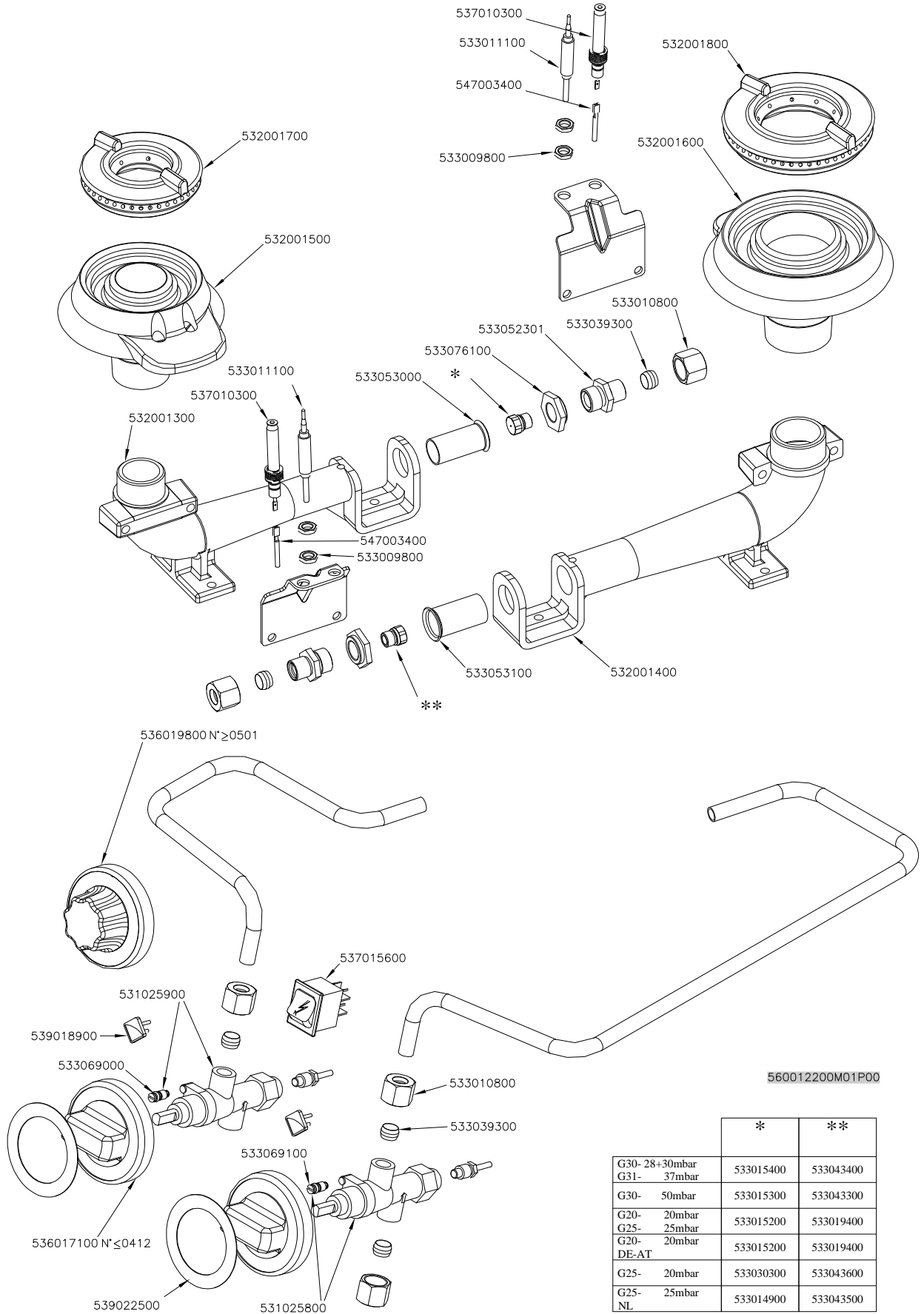
GAS / GAS / GAS / GAZ

## PC-74G PC-78G PC-712G PC-716G

	1
Vedi Pagina See Page Siehe Seite Voir Page Ver Página	93



**PC-G**



Page	Pos	Code	Description
001		533009200	REDUCTION FOR 65 AND 70 LINE
001		541097200	NEUTRAL SPACER 712
001		532002300	1 FLAME GRILL 346X274 (70)
001		544301100	ENAMELLED BURNER DRIP PAN 1/2
001		544173600	UPPER PLATE PC-712G CF6-712G/GV
001		537007600	TERMINAL BLOCK SINGLEPHASE 40A
001		537005600	6 FLAME IGNITION CONTROL BOX V230
001		541102600	CONTROL PANEL PC-712G
001		544173500	LEFT SIDE PANEL S.70
001		536005200	INOX LEG 2" 120-180 M10
001		544173400	RIGHT SIDE PANEL S.70
002		537010300	PLUG IGNITION WITH SPRING PC65
002		533011100	THERMOCOUPLE 600 M8*1
002		547003400	HIGH-VOLTAGE CABLE L=900
002		533009800	BRASS NUT M8*1
002		532001800	QUICKBURNER §102
002		532001600	BURNER BODY 5,5 KW
002		532001700	QUICKBURNER §82
002		532001500	BURNER BODY 3,5 KW
002		533010800	TUBE NUT D.10 M16*1,5
002		533039300	BICONE §10
002		533052301	JOINT FOR NOZZLE HOLDER
002		533076100	HEXAGONAL NUT M14X1 H4 + BUSHING
002		533053000	AIR ADJUSTMENT BUSHING §18
002		532001300	BURNER VENTURI 3,5 KW
002		533053100	AIR ADJUSTMENT BUSHING §20
002		532001400	BURNER VENTURI 5,5 KW
002		536019800	BLACK KNOB §70 PIN §8*6,5
002		531025900	SAFETY TAP 20S-B PEL20S21070
002		539018900	INDEX FOR KNOB
002		533069000	BY PASS COCK §70 20S-21S
002		536017100	BLACK KNOB §70 PIN §8*6,5
002		539022500	ADHESIVE GRADUATED DISC FOR KNOB
002		537015600	BIPOLAR SWITCH
002		533069100	BY PASS COCK §60 20S
002		531025800	SAFETY TAP 20S-B PEL20S2160
002		533015400	NOZZLE §93 CH12*14 G-PC4 R
002		533043400	NOZZLE §117 CH12*14 G-PC4 UR
002		533015300	NOZZLE §82 CH12*14 F-PC4 R
002		533043300	NOZZLE §103 CH12*14 F-PC4 UR
002		533015200	NOZZLE §145 CH12*14 F-FP/CP6
002		533019400	NOZZLE §180 CH12*14 L-FQ5
002		533030300	NOZZLE §160 CH12*14 M-FPG
002		533043600	NOZZLE §200 CH12*14 L-PC4 UR
002		533014900	NOZZLE §150 CH12*14 F-FQ5 L-FQ6
002		533043500	NOZZLE §190 CH12*14 G25 PC4R