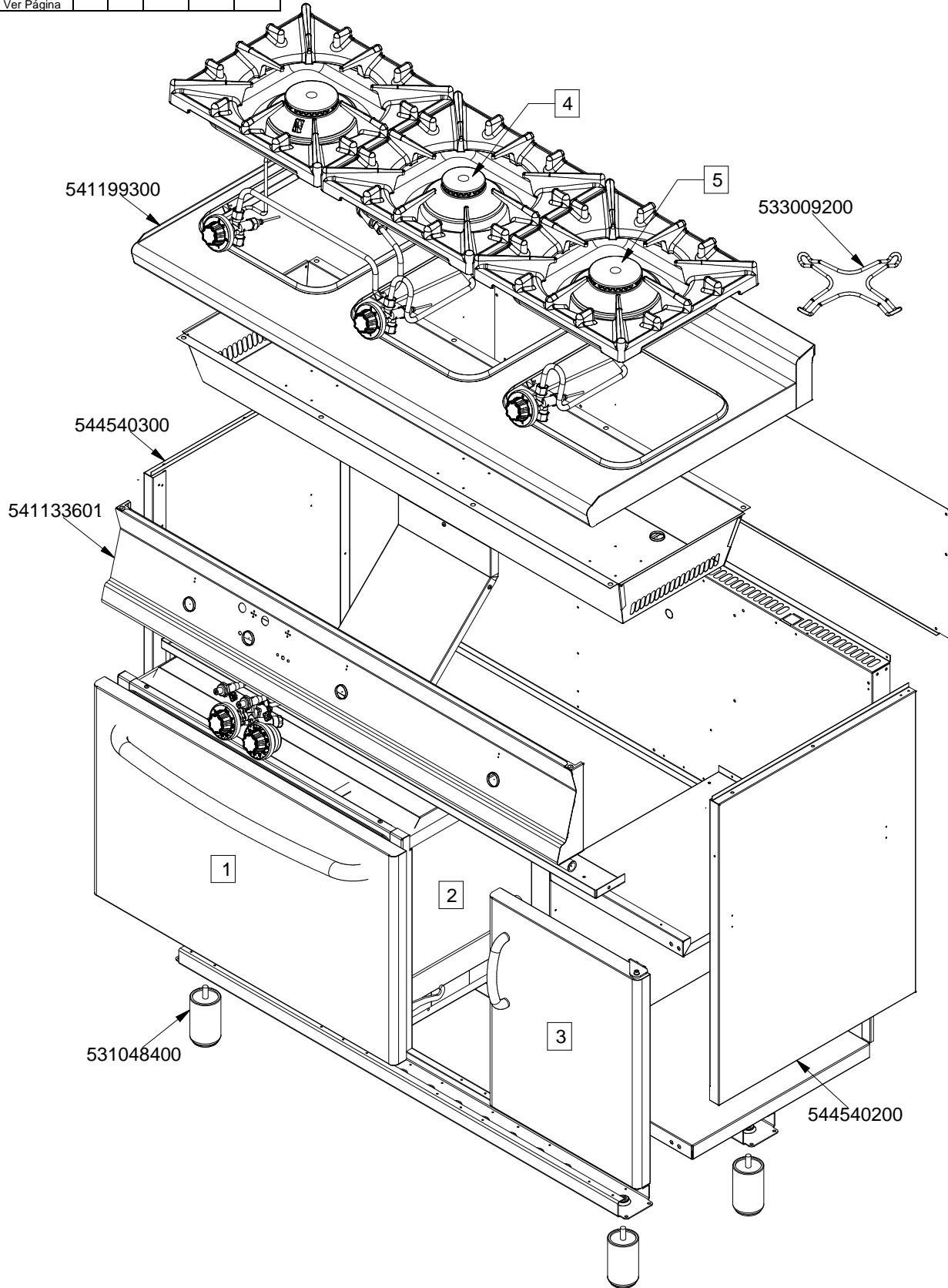


MAGICLOTUS 60

CUCINE / RANGES / HERDE / CUISINIÈRES

CF3-612GV

	1	2	3	4	5
Vedi Pagina See Page Siehe Seite Voir Page Ver Pàgina	95	90	106	102	103

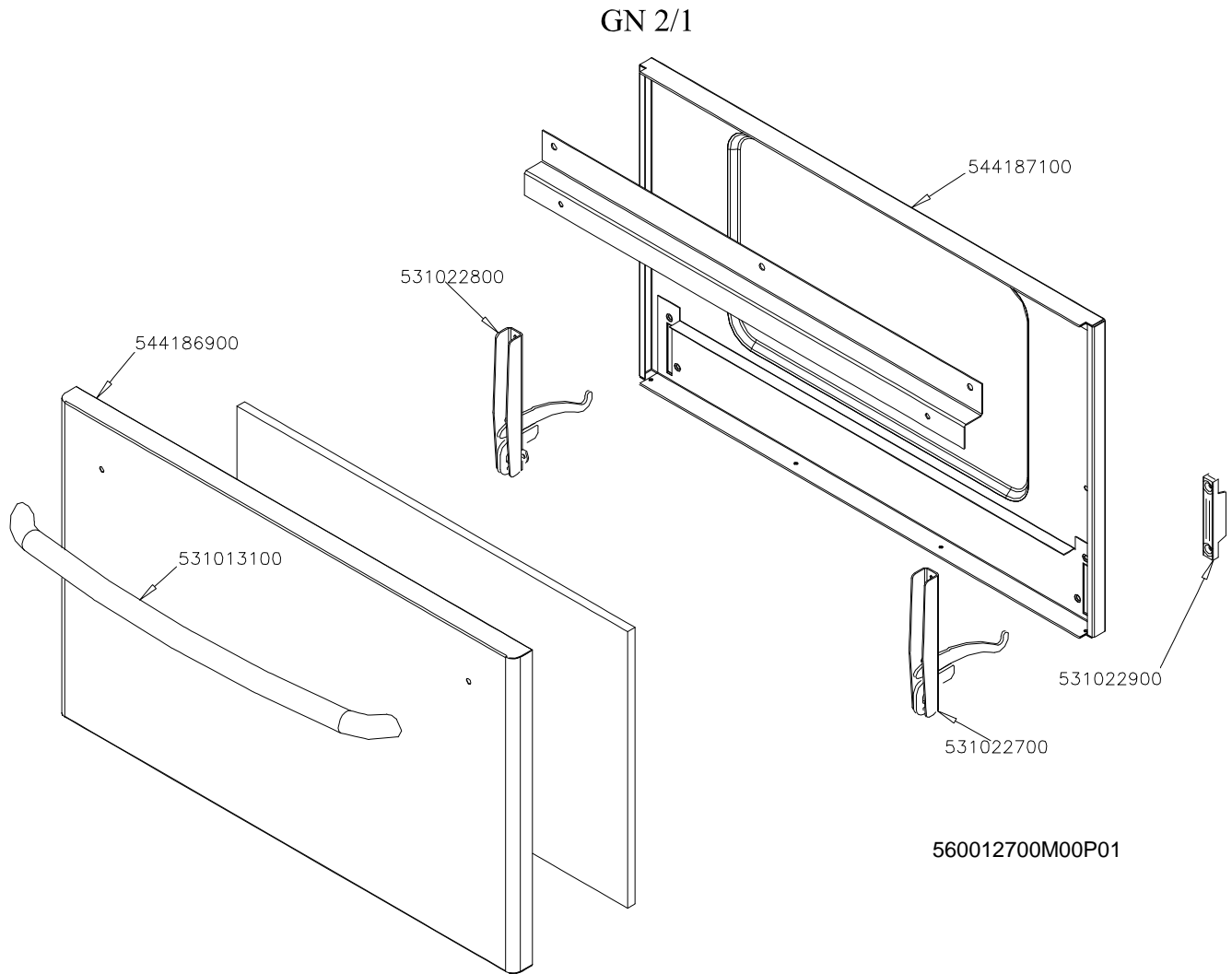


560084700M00P00

MAGICLOTUS 60

CUCINE / RANGES / HERDE / CUISINIÈRES
FORNO / OVEN / BACKOFEN / FOUR / CF...-68 CF...-610

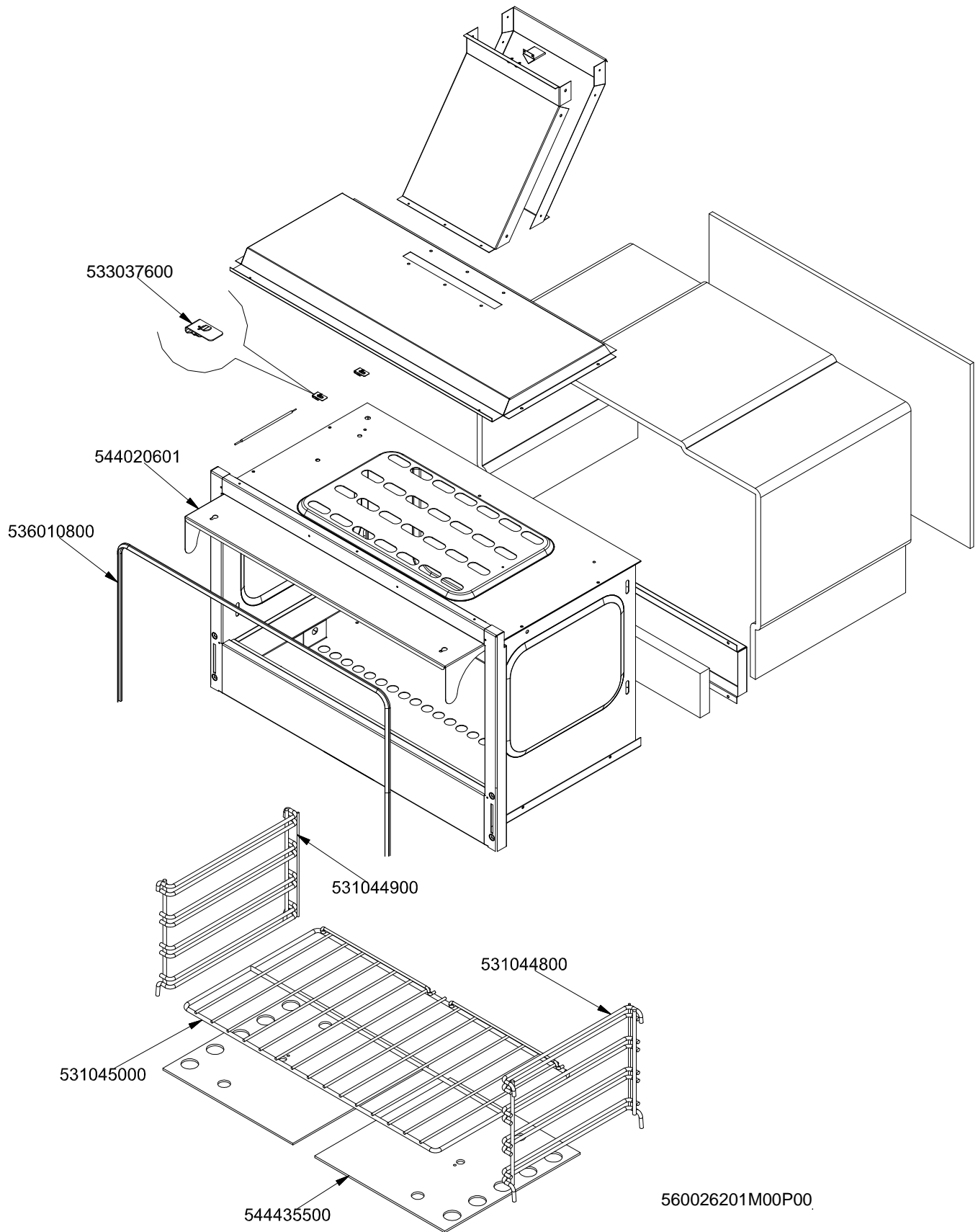
PORTE / DOORS / TÜREN / PORTES / GN2/1 (CF2-CF3)



MAGICLOTUS 60

CUCINE / RANGES / HERDE / CUISINIÈRES
FORNO / OVEN / BACKOFEN / FOUR / CF...-68 CF...-610 CF...-612

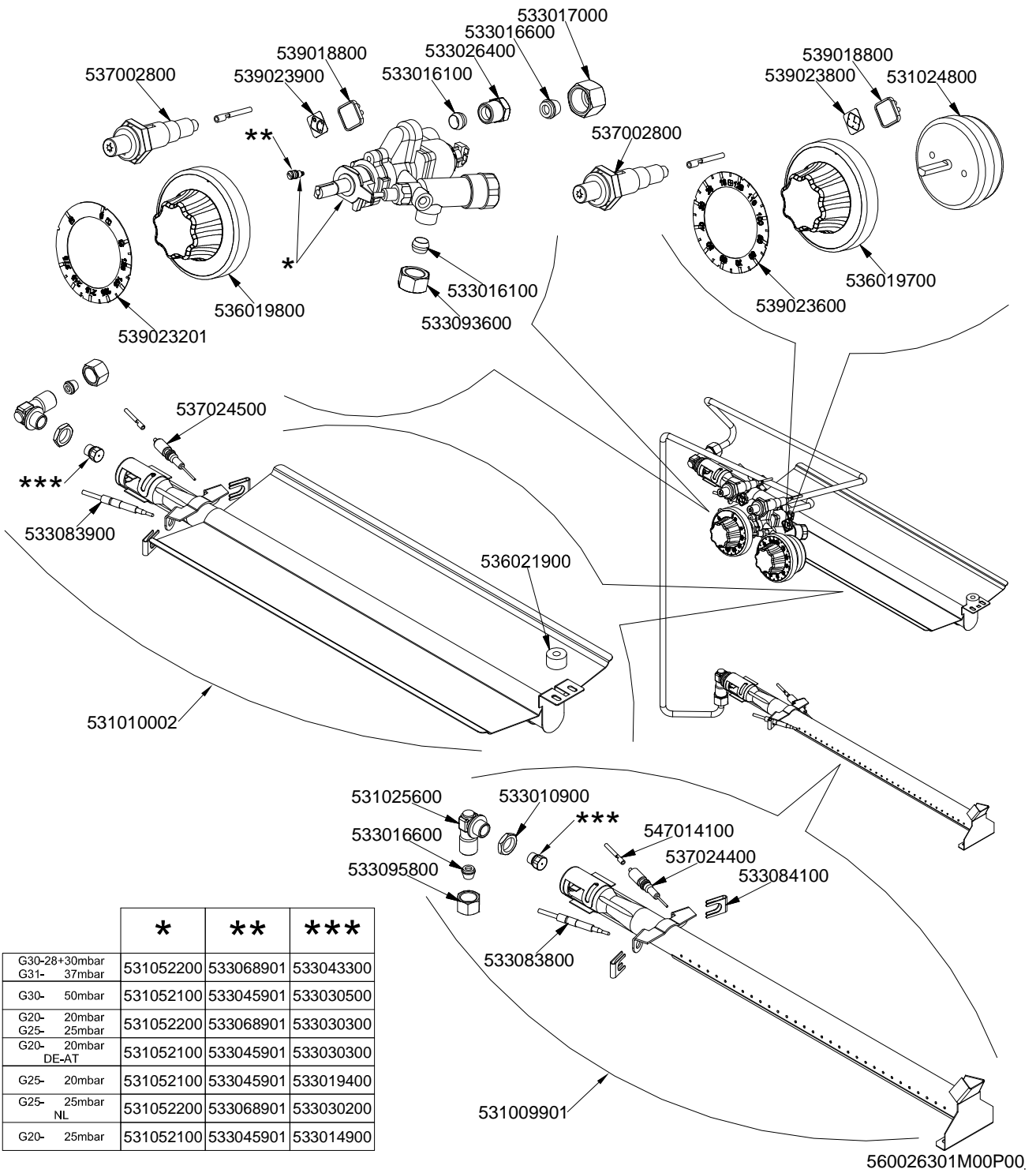
GAS / GAS / GAS / GAZ / GN 2/1 (CF2-CF3)



MAGICLOTUS 60

CUCINE / RANGES / HERDE / CUISINIÈRES
 FORNO / OVEN / BACKOFEN / FOUR / CF...-68 CF...-610 CF...-612

GAS / GAS / GAS / GAZ / GN 2/1 (CF2-CF3)

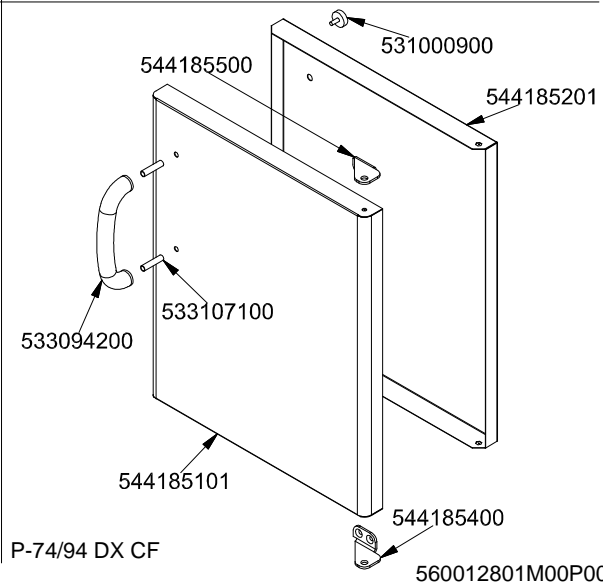
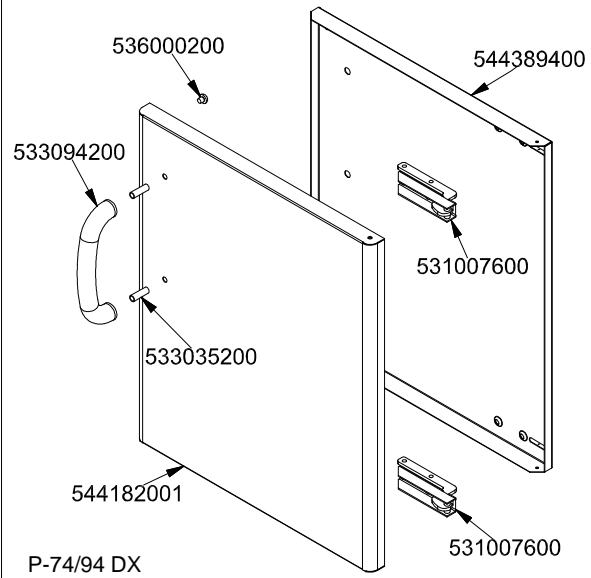
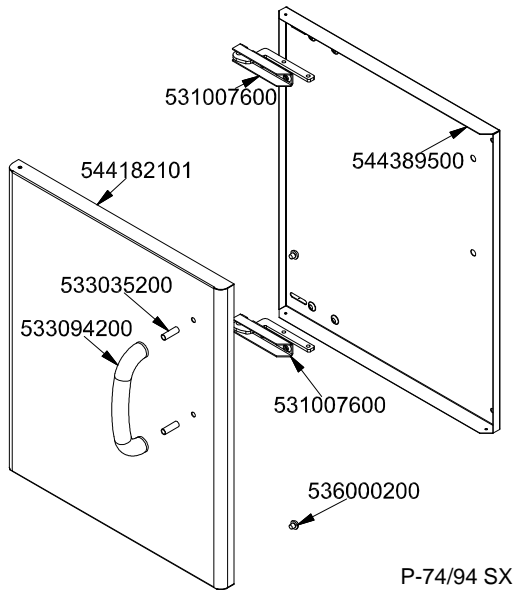
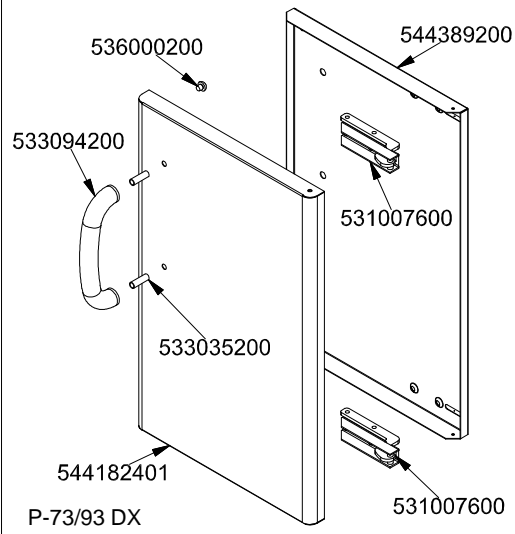
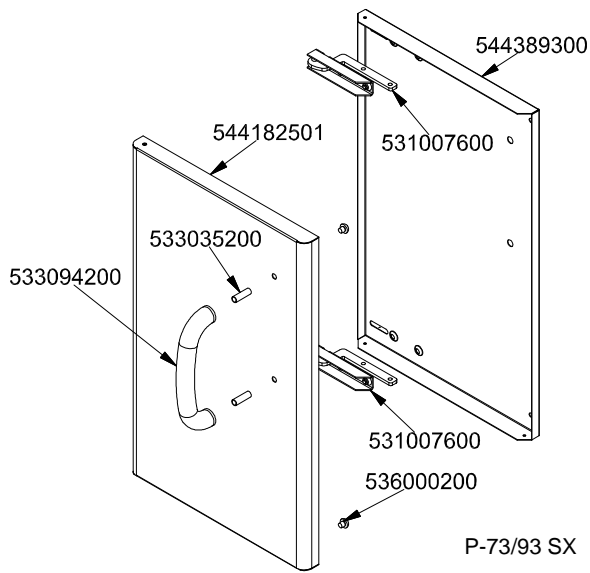


MAGICLOTUS 60

CUCINE / RANGES / HERDE / CUISINIÈRES

COMPONENTI COMUNI / STANDARDS PARTS / UEBLICHE TEILE / COMPOSANTS COMMUNS

PORTE / DOORS / FLÜGELÜREN / PORTES

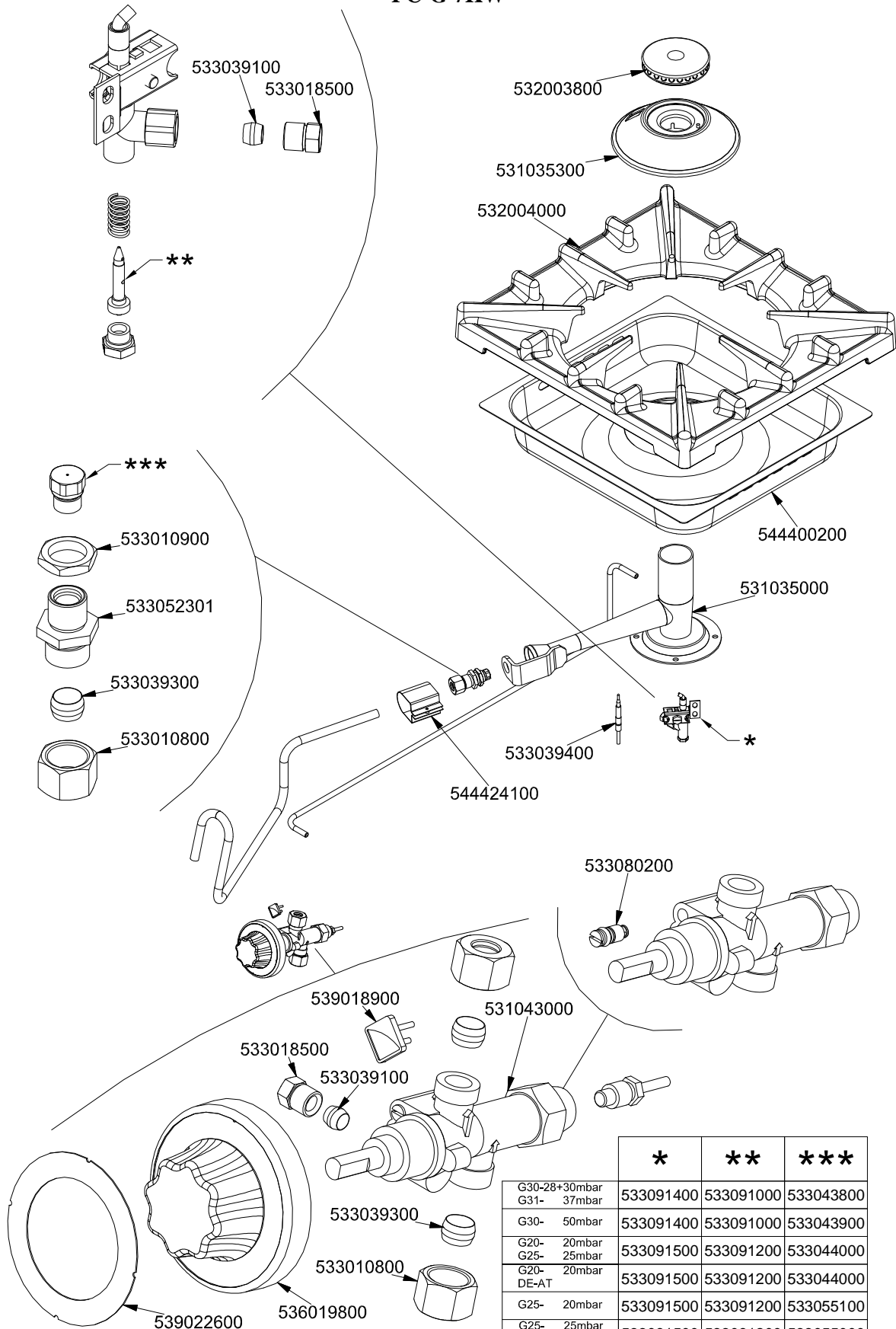


MAGICLOTUS 60

CUCINE / RANGES / HERDE / CUISINIÈRES

COMPONENTI COMUNI / STANDARDS PARTS / UEBLICHE TEILE / COMPOSANTS COMMUNS

PC-G 7KW



	*	**	***
G30-28+30mbar	533091400	533091000	533043800
G31- 37mbar	533091400	533091000	533043900
G30- 50mbar	533091400	533091000	533043900
G20- 20mbar	533091500	533091200	533044000
G25- 25mbar	533091500	533091200	533044000
G20- 20mbar	533091500	533091200	533044000
G25- 20mbar	533091500	533091200	533055100
G25- 25mbar	533091500	533091200	533055000
G25- NL	533091500	533091200	533055000

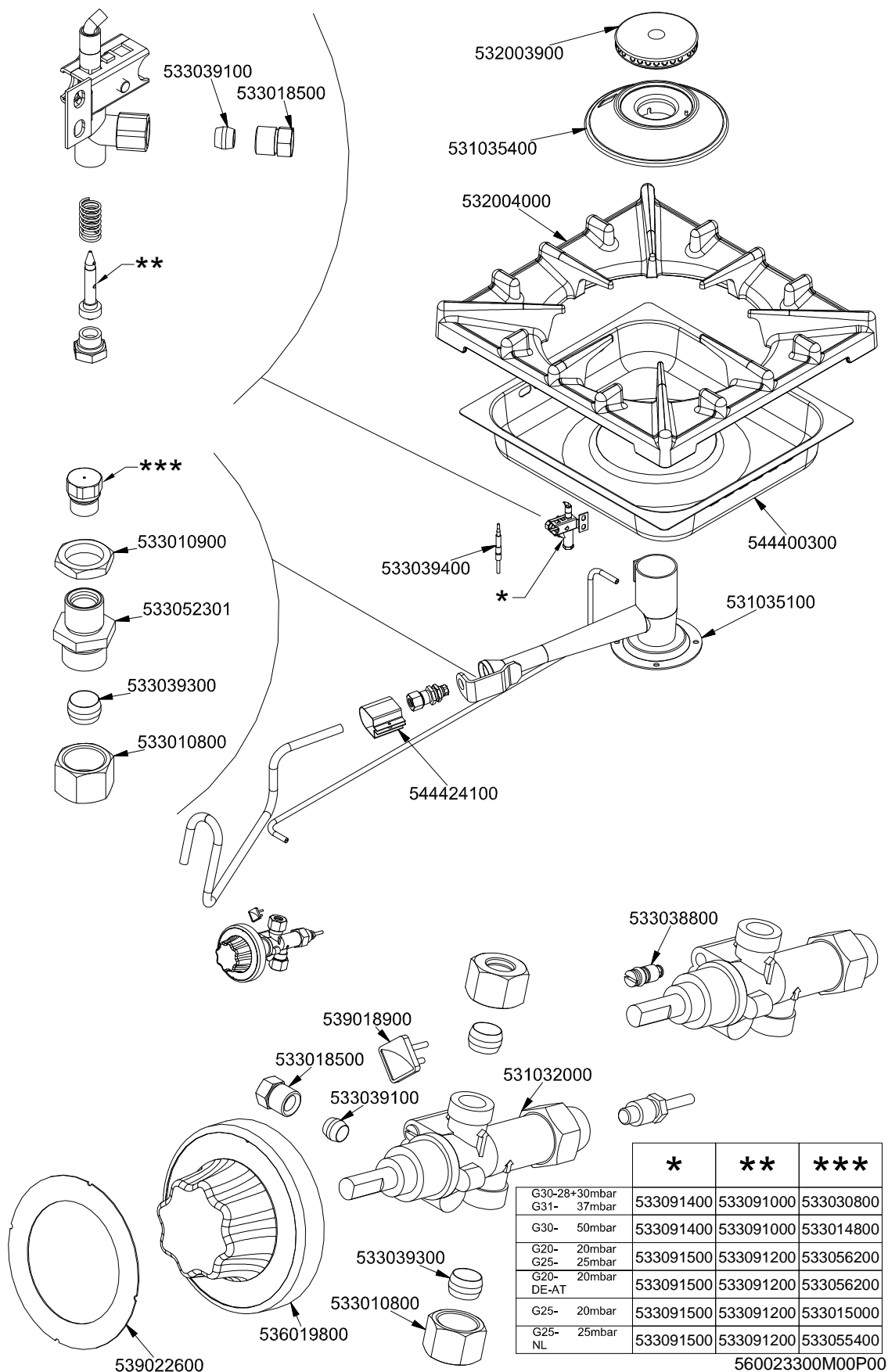
560023200M00P00

MAGICLOTUS 60

CUCINE / RANGES / HERDE / CUISINIÈRES

COMPONENTI COMUNI / STANDARDS PARTS / UEBLICHE TEILE / COMPOSANTS COMMUNS

PC-G 10KW



	*	**	***
G30-28+30mbar	533091400	533091000	533030800
G31- 37mbar			
G30- 50mbar	533091400	533091000	533014800
G20- 20mbar	533091500	533091200	533056200
G25- 25mbar			
G20- 20mbar	533091500	533091200	533056200
G20- DE-AT			
G25- 20mbar	533091500	533091200	533015000
G25- 25mbar	533091500	533091200	533055400
G25- NL			

560023300M00P00

Page	Pos	Code	Description
001		541199300	UPPER PLATE FOR 60T CF 3-612GV
001		533009200	REDUCTION FOR 65 AND 70 LINE
001		544540300	
001		541133601	CONTROL PANEL CF3-512G
001		531048400	INOX LEG Ø1"3/4 100-165 M10
001		544540200	
002		531013100	OVEN DOOR HANDLE OF 70/90-LINE
002		544186900	OVEN DOOR GN 2/1 S.70
002		531022800	LEFT OVEN DOOR HINGE S.70
002		544187100	OVEN INNER DOOR GN 2/1 S.70
002		531022900	HINGE DOOR WHEEL HOLDER S.70
002		531022700	RIGHT OVEN DOOR HINGE 70LINE
003		533037600	LOCK SPRING FOR BULB
003		544020601	HANDLEPROTECTION FOR CF-55
003		536010800	OVEN GASKET GN 2/1 (1261)
003		544435500	55 GAS OVEN BOTTOM GN1/1
003		531044900	LHD SUPPORT GRID OVEN S55
003		531044800	RHD SUPPORT GRID OVEN S55
003		531045000	GRID OVEN GN 1/1 S55
004		533026400	ELBOW FOR BICONE D.8 M13X1
004		533016100	BICONE D.8
004		539018800	INDEX FOR OVEN KNOB
004		539023800	SIGN PLATE FOR OVEN TIMER
004		531024800	TIMER 120' - 360°
004		533017000	THREADED FITTING FOR BICONE 8S
004		533016600	BICONE §8 H.6 SABAF DIS.688
004		539023900	SIGN PLATE FOR OVEN TEMPERATURE
004		537002800	PIEZOELECTRIC IGNITION M18
004		536019700	BLACK KNOB §70 PIN §6*5
004		539023600	ADHESIVE GRADUATED DISC FOR KNOB
004		536019800	BLACK KNOB §70 PIN §8*6,5
004		533093600	BICONE FITTING §8 M13 FEM.SABAF
004		539023201	ADHESIVE GRADUATED DISC FOR KNOB
004		537024500	PLUG IGNITION FOR GRILL-BURNER
004		533010900	NUT M14*1 H.4
004		533083900	THERMOCOUPLE 1000 M8*1 OVEN BURNER
004		547014100	HIGH-VOLTAGE CABLE §2 L=100
004		531010002	GRILL BURNER FOR CF-55/60
004		533084100	LOCK SPRING FOR PLUG-THERMOCOUPLE
004		531025600	ELBOW 90° NOZZLE-HOLDER §10 PIPE
004		537024400	PLUG IGNITION FOR OVEN-BURNER
004		533095800	TUBE NUT D.08 M16*1,5
004		533083800	THERMOCOUPLE 1200 M8*1 OVEN BURNER
004		531009901	OVEN BURNER CF-8/10G
004		531052200	§50 BY-PASS SAFETY COCK S55
004		533068901	§50 BY-PASS COCK F.OVEN CF60/65/55
004		533043300	NOZZLE §103 CH12*14 F-PC4 UR
004		531052100	§45 BY-PASS SAFETY COCK S55
004		533045901	§45 BY-PASS THERMOSTATIC TAP
004		533030500	NOZZLE §90 CH12X14 G30/CE
004		533030300	NOZZLE §160 CH12*14 M-FPG

Page	Pos	Code	Description
004		533019400	NOZZLE §180 CH12*14 L-FQ5
004		533030200	NOZZLE §170 CH12*14 MH-FG L-FP/CW
004		533014900	NOZZLE §150 CH12*14 F-FQ5 L-FQ6
005		533094200	S/S HANDLE FOR 70/90 SERIES
005		533035200	
005		544182501	LEFT DOOR 73
005		544389300	
005		531007600	DOOR HINGE
005		536000200	D.12 H.4 BUMPER
005		544389200	
005		544182401	RIGHT DOOR 73
005		544389500	INNER-DOOR OF LHD 74
005		544182101	LEFT DOOR 74
005		544182001	RIGHT DOOR 74
005		544389400	
005		531000900	MAGNET §22 KG.3 WITH DISK
005		544185201	
005		544185500	UPPER DOOR HINGE FOR COMPARTME CF70
005		533107100	
005		544185101	RIGHT DOOR 74 CF
005		544185400	LOWER DOOR HINGE FOR COMPARTME CF70
006		533039100	BICONE §6
006		533018500	FITTING FOR BICONE D.6 M10*1
006		532003800	BURNER COVER RING §082
006		531035300	MEDIUM BURNER BODY 90 LINE
006		532004000	1 FLAME GRILL 396X366 (90)
006		533010900	NUT M14*1 H.4
006		533052301	JOINT FOR NOZZLE HOLDER
006		533039300	BICONE §10
006		533010800	TUBE NUT D.10 M16*1,5
006		544400200	BURNER DRIP PAN 2/3
006		531035000	MEDIUM BURNER VENTURI 90 LINE
006		533039400	THERMOCOUPLE M9*1*850
006		544424100	
006		533080200	BY PASS COCK §65 20S-21S
006		531043000	GAS COCK 21S P.V. BY-PASS §065
006		539018900	INDEX FOR KNOB
006		536019800	BLACK KNOB §70 PIN §8*6,5
006		539022600	GRADUATED STICKER FOR KNOB
006		533091400	P.NOZZLE S100 UG.§20 PC90 LPG-FLUS
006		533091000	NOZZLE 0.100 §20
006		533043800	NOZZLE §130 CH12*14 G-CW4
006		533043900	NOZZLE §115 CH12*14 F-CW4
006		533091500	PILOT NOZZLE S.100 §30 PC90 NAT.GAS
006		533091200	PILOT NOZZLE 0100 Ø35 PIL.PC
006		533044000	NOZZLE §195 CH12*14 M-CW4
006		533055100	NOZZLE §215 CH12*14 L-CW4
006		533055000	NOZZLE §205 CH12*14 G25 CW4
007		533039100	BICONE §6
007		533018500	FITTING FOR BICONE D.6 M10*1
007		532003900	BURNER COVER RING §100

Page	Pos	Code	Description
007		531035400	BIG BURNER BODY 90 LINE
007		532004000	1 FLAME GRILL 396X366 (90)
007		544400300	BURNER DRIP PAN 2/3
007		531035100	BIG BURNER VENTURI 90 LINE
007		544424100	
007		533010900	NUT M14*1 H.4
007		533052301	JOINT FOR NOZZLE HOLDER
007		533039300	BICONE §10
007		533010800	TUBE NUT D.10 M16*1,5
007		539018900	INDEX FOR KNOB
007		531032000	GAS COCK P.V.BY-PASS Ø075
007		533038800	75 BY-PASS FOR 21S TAP
007		536019800	BLACK KNOB §70 PIN §8*6,5
007		539022600	GRADUATED STICKER FOR KNOB
007		533091400	P.NOZZLE S100 UG.§20 PC90 LPG-FLUS
007		533091000	NOZZLE 0.100 §20
007		533030800	NOZZLE §155 CH12X14 M-CW
007		533014800	NOZZLE §135 CH12*14,0
007		533091500	PILOT NOZZLE S.100 §30 PC90 NAT.GAS
007		533091200	PILOT NOZZLE 0100 Ø35 PIL.PC
007		533056200	NOZZLE §230 CH12*14
007		533015000	NOZZLE D.I 260 G110 (TOWN GAS)
007		533055400	NOZZLE §245 CH12*14