

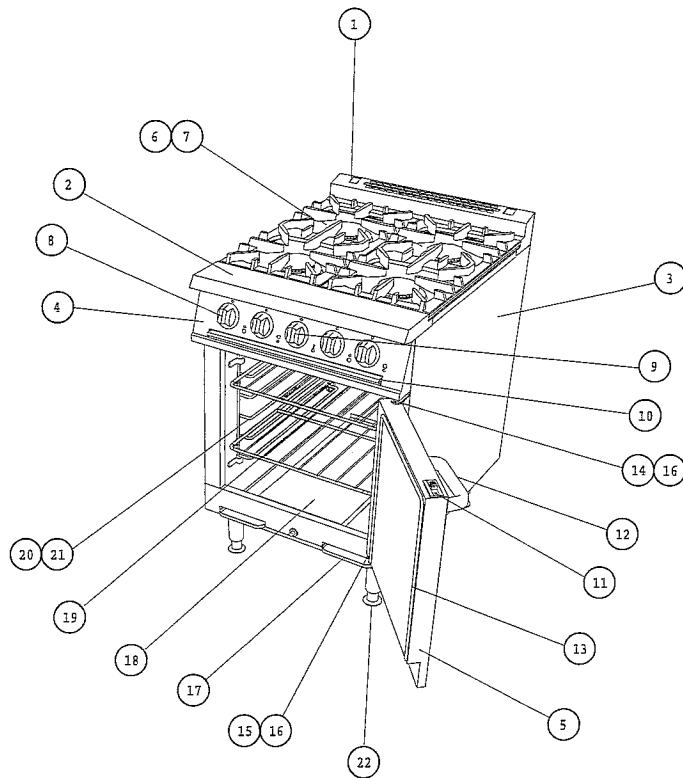
IF IN DOUBT ASK!!

DO NOT SCALE !!  
First Angle Projection



G2161 OT FITMENTS

Part No	Spares No	Description
1	535480070	Rear hob rail
2	535480071	Front hob rail
3	535480048	Outer Side Panel
4	535480072	Control panel
	535430090	Control panel (no drip tray)
5	535480078	Door assy
6	535400130	Pan Support (Paint)
7	535400140	Pan Support (Enamel)
8	535400010	Control Knob (hob)
9	535480052	Control Knob (Oven)
10	535480073	Hob Drip Tray
11	535480054	Door Catch
12	535480055	Door Handle
13	535480074	Door seal
14	535480060	Top door hinge
15	535480061	Bottom door hinge
16	535480077	Door hinge bush
17	535480062	Oven Drip tray
18	535480075	Oven bottom plate
19	535480076	Oven Shelf
20	535480065	Oven Shelf hanger
21	535480066	Oven Shelf Hanger bracket
22	535480067	Adjustable Leg



All Dimensions in millimetres, Tolerance- Linear  $\pm 0.5\text{mm}$  Angular  $\pm 0.5^\circ$  (or as stated)

Drawn	<i>Wain James</i>	Product	G2161 OT RANGE	
Date	14/08/02	Title	G2161 FITMENTS SPARES INFO	
Scale	N. T. S.	Matl.	_____	Drawing Number
		No. off	_____	Issue
		Bin No.	RZZ331	AA40587
		Finish	_____	B
		Kraus No.	_____	

B	5432	CONTROL PANEL RE-NO DRIP TRAY ADDED	I. HAMILTON	18-08-05
A	849	PRODUCTION ISSUE	<i>Wain James</i>	15/08/02
G	Issue	Mod No.	Alteration	Zone
			Drawn by	Date



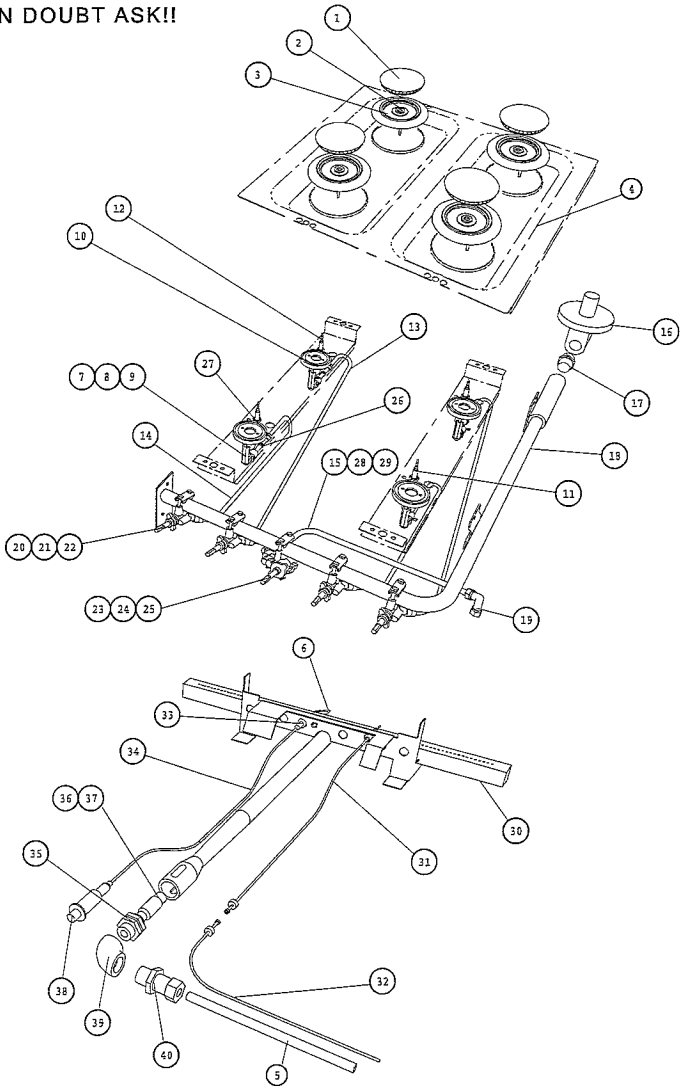
This part is common to the following units

No reproduction or publication of this drawing may be made and no article may be manufactured or assembled in accordance with this drawing without prior written consent. This prohibition is a term of any contract relating to this drawing. Rights reserved under the Copyright Act 1956 as amended by the Design Copyright Act 1988.

**UNCONTROLLED**

Falcon Foodservice Equipment. Wallace View Hillfoots Road Stirling Scotland

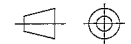
IF IN DOUBT ASK!!



G2161 OT CONTROLS

Part No	Spares No	Description
1	535480006	Burner Cap
2	535400070	Burner Venturi
3	535400060	Burner Base
4	535430010	Hob panel
5	535480043	Oven bottom feed pipe
6	535480045	Oven Earth pin
7	535400090	injector holder c/w Nat inj(boost)
8	535480009	OT Boost injector (Nat) 1.95
9	535480010	OT Boost injector (Prop) 1.2
10	535400100	Lock Nut - injector holder
11	535480011	OT Thermocouple - Short
12	535480012	OT Thermocouple - Long
13	535400050	Burner pipe - Rear outer
14	535400040	Burner pipe - Front outer
15	535480014	Oven top feed pipe
16	535480015	Governor
17	535480016	"3/4" Fitting"
18	535480018	Float rail
19	535480019	Oven feed pipe elbow
20	535480020	Open top burner control
21	535480021	Nat gas by-pass Screw 0.84
22	535480022	Propane by-pass screw 0.5
23	535430020	Oven Thermostat
24	535480025	Nat gas by-pass Screw 0.75
25	535480026	Propane by-pass screw 0.45
26	535480027	Olive for tap pipes
27	535480028	Tube nut for tap/injector holder
28	535480029	Olive for Tstat
29	535480030	Tube nut for Tstat
30	535480032	Oven burner
31	535400180	Oven Thermocouple
32	535400120	Extention Thermocouple
33	535480033	Oven ignition electrode
34	535480034	Oven ignition lead
35	535480035	Injector adaptor
36	535480038	Oven burner injector (Nat) 1.8
37	535480039	Oven burner injector (Prop)
38	535480040	Oven igniter
39	535480041	Elbow for Injector adaptor
40	535480042	Oven pipe coupling

DO NOT SCALE !!  
First Angle Projection



All Dimensions in millimetres, Tolerance- Linear  $\pm 0.5\text{mm}$  Angular  $\pm 0.5^\circ$  (or as stated)

Drawn	<i>Vain Jones</i>	Product	G2161 OT RANGE	
Date	14/08/02	Title	G2161 CONTROLS SPARES INFO	
Scale	N.T.S	Matl.	Drawing Number	Issue
No. off		Finish	AA40586	B
Bin No.	RZZ331	Kraus No.		

B	4844	BOOST BURNERS NOW STANDARD	DJT	23/01/03		
A	849	PRODUCTION ISSUE	<i>Vain Jones</i>	15/08/02		
G	Issue	Mod No.	Alteration	Zone	Drawn by	Date



No reproduction or publication of this drawing may be made and no article may be manufactured or assembled in accordance with this drawing without prior written consent. This prohibition is a term of any contract relating to this drawing. Rights reserved under the Copyright Act 1956 as amended by the Design Copyright Act 1988.

**CONTROLLED**

Falcon Foodservice Equipment. Wallace View Hillfoots Road Stirling Scotland