

WAREWASHER

ELECTROMECHANICAL SWITCHES
DOUBLE BODY VERSION

TYPE: 60U

Accessories

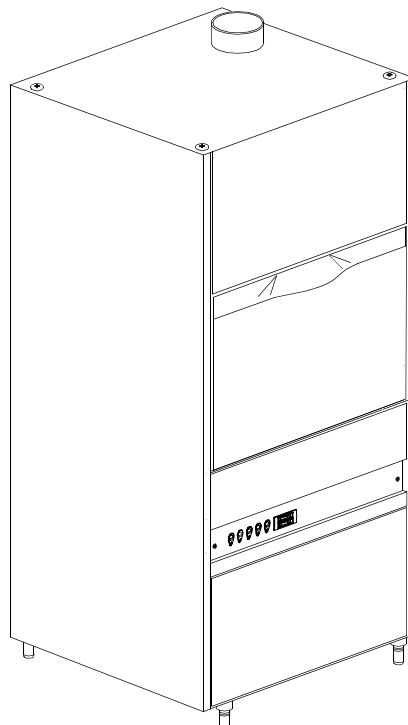
BOOSTER PUMP

DVGW

DETERGENT DISPENSER

DRAIN PUMP

Spare parts



1. Spare parts

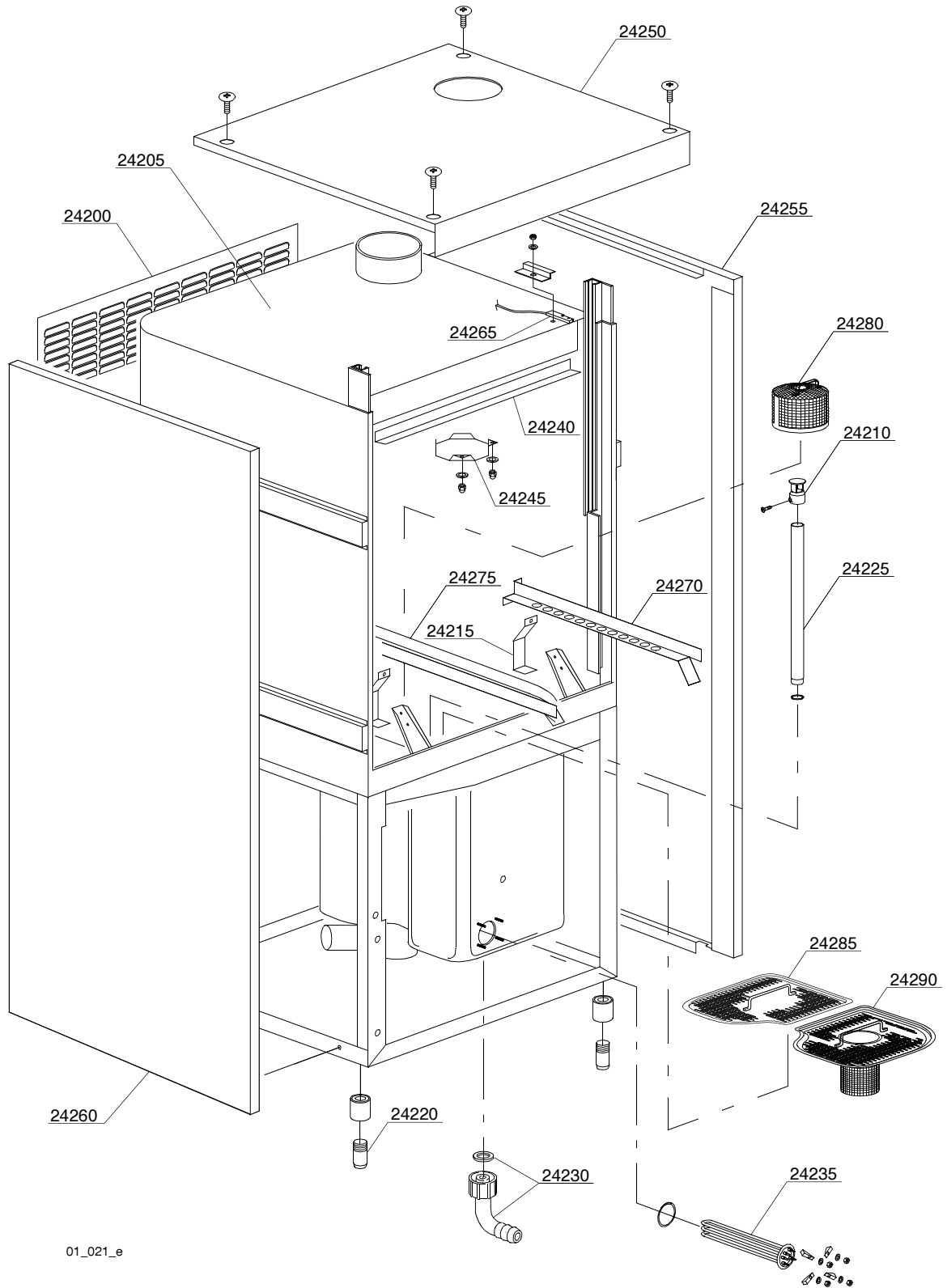
General body parts.....	7
Lockup system	9
Control panel	11
Control electric components.....	13
Solenoid valve group	15
Booster pump.....	17
DVGW	19
Shining product dosing device group .	21
Boiler group	23
3 ways derivation.....	25
Wash pump	27
Dosing device group	29
Dosing device group	31
Drain pump group.....	33
Pressure switch group with air trap ...	35
Turret group with rotating arms	37

1.1 Voltage codes

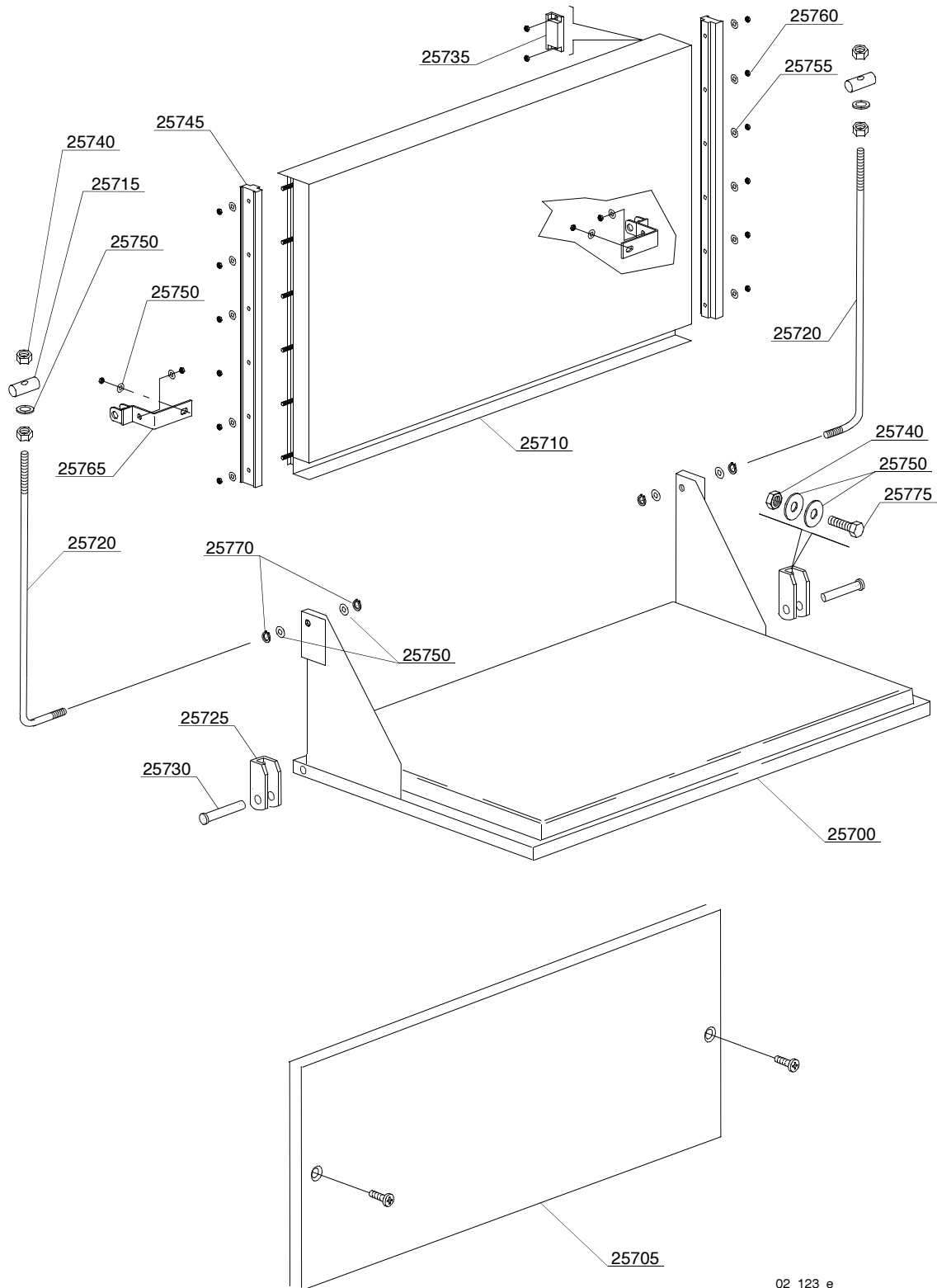
Voltage code	Voltage
A	3/N/PE~400/230V 50Hz
B	~250V 16A 50Hz
C	3/N/PE~380/220V 50Hz
D	3/PE~200V 50-60Hz
F	2/PE 220-240V 50Hz
G	3/N/PE~415/240V 50Hz
H	3/PE~230V 50Hz
I	3/PE~220V 60Hz
J	3/PE~380 50Hz
K	3/PE~400V 50Hz
L	3/PE~415V 50Hz
M	3/PE~440V 60Hz
N	3/PE~460V 60Hz
O	3/PE~480V 60Hz
P	1/N/PE~220-240V 50Hz
R	2/PE~220-230V 60Hz
S	3/N/PE~400/230V 50Hz
T	3/PE~230V 60Hz

1.2 Product codes

Product code	Full name
Model codes	
em	ELECTROMECHANICAL SWITCHES
dc	DOUBLE BODY VERSION
Type codes	
60U	60U
Accessory codes	
pap	BOOSTER PUMP
dvgw	DVGW
dde	DETERGENT DISPENCER
ps	DRAIN PUMP

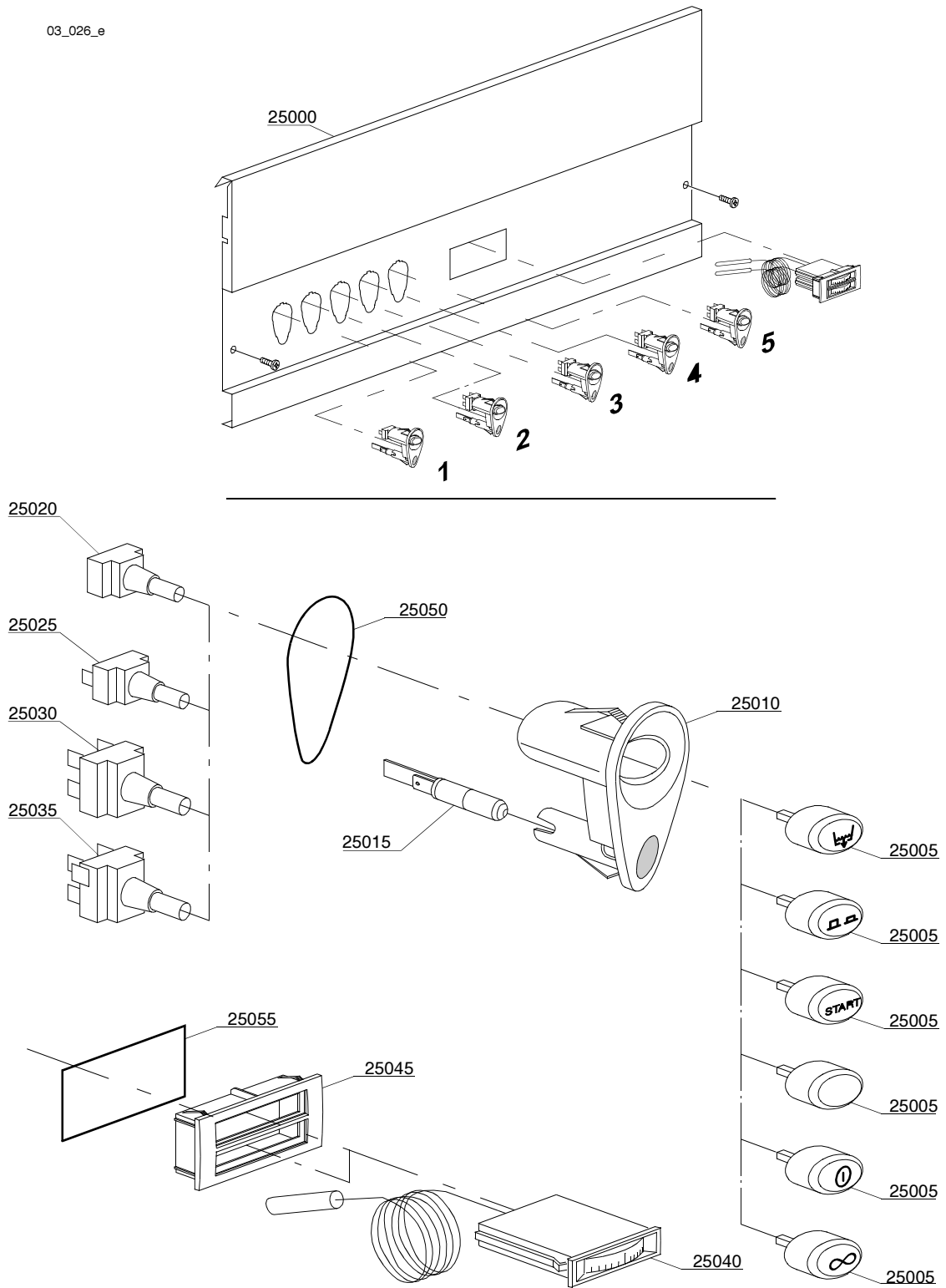


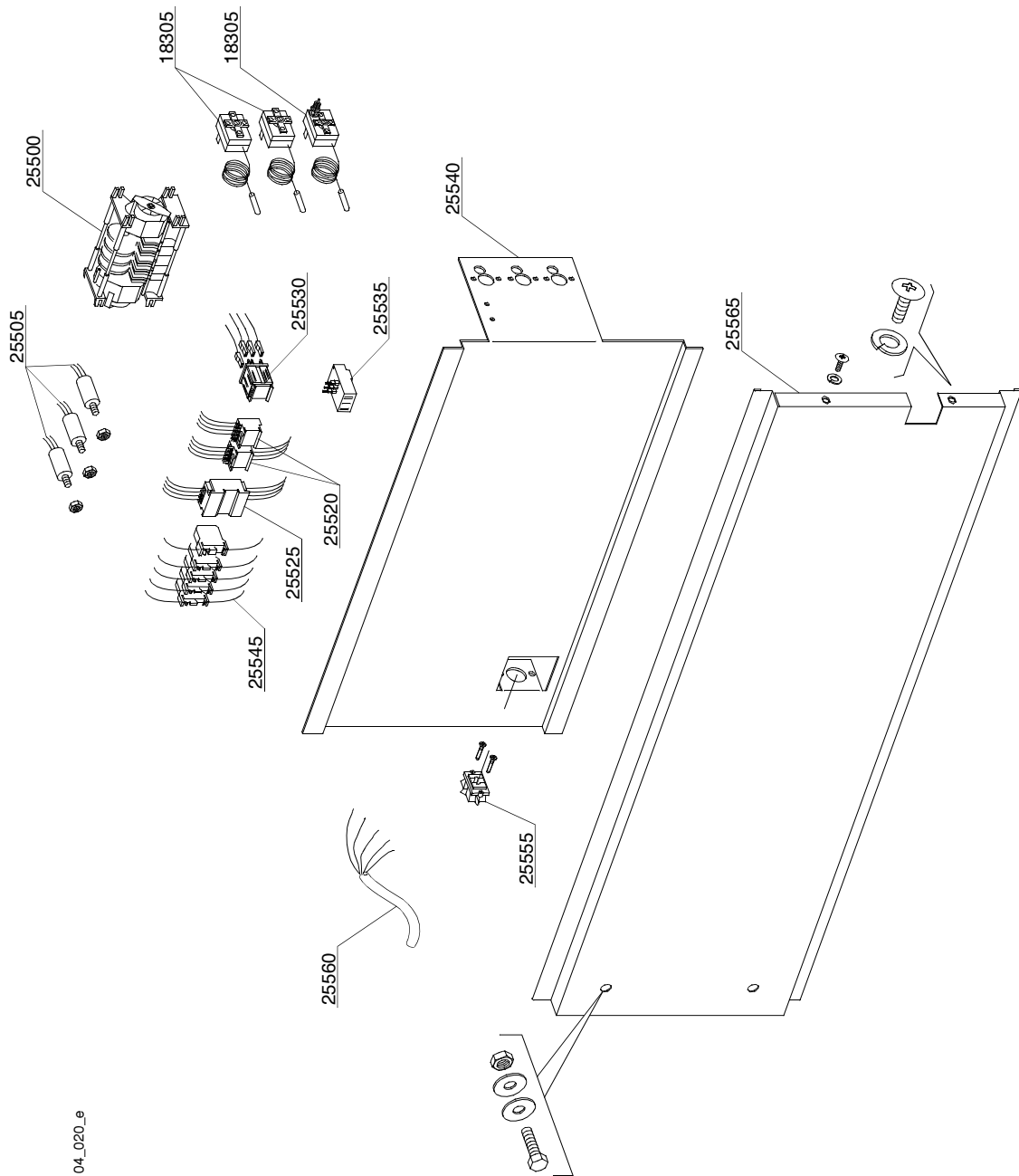
01_021_e



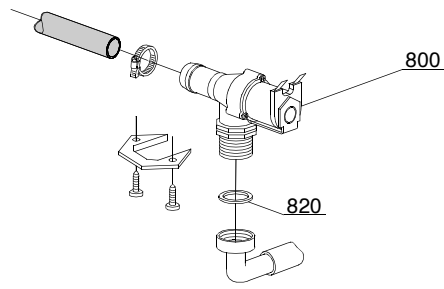
02_123_e

03_026_e





04_020_e

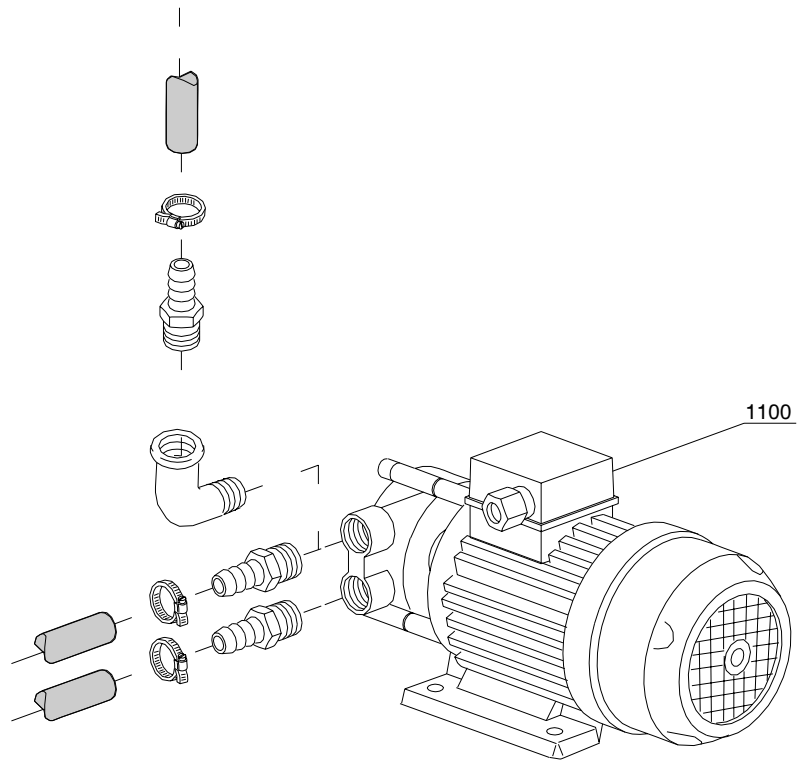


05_005_e

Spare parts

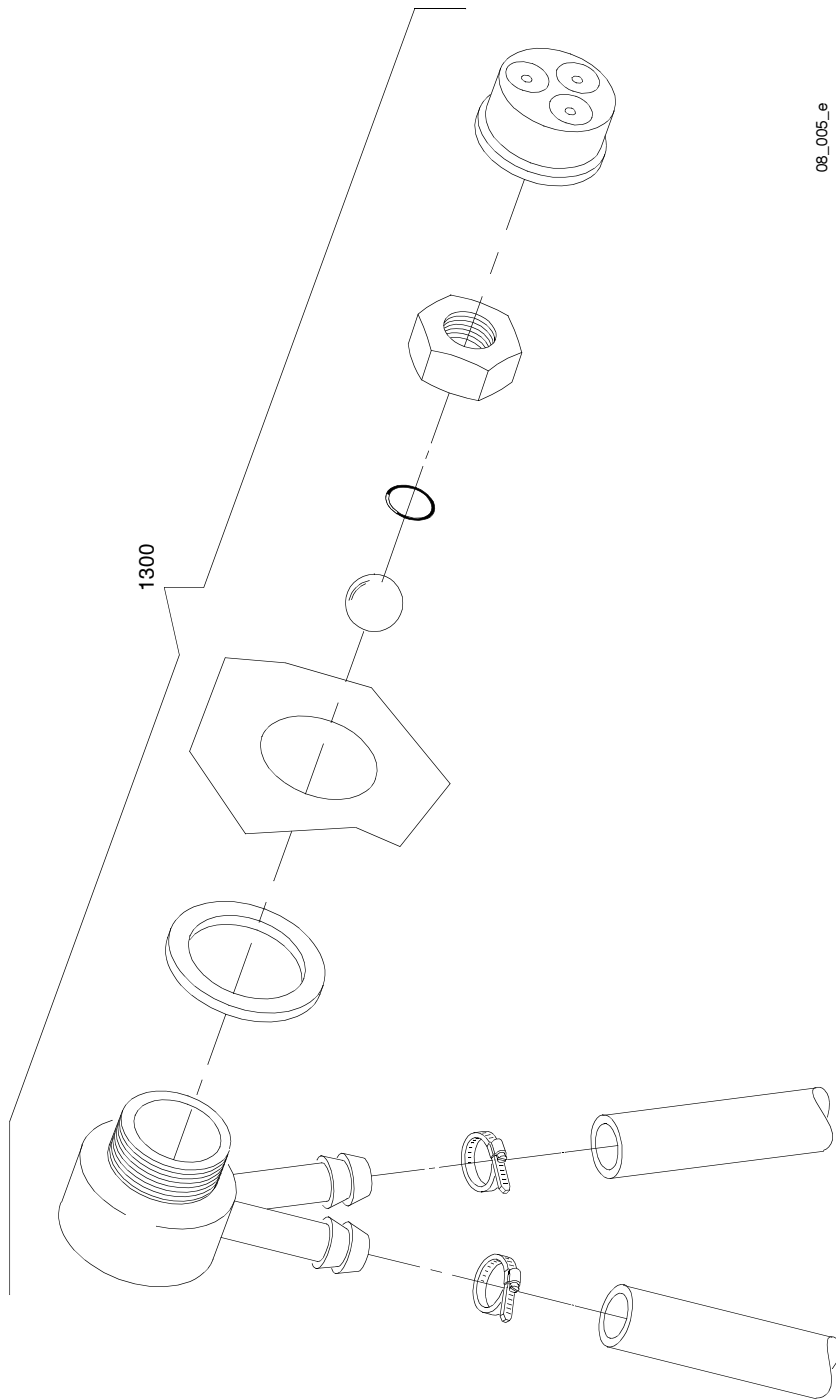
ID	P-code	Model	Type	Accessory	Voltage	Description
MODULE:Solenoid valve group						
800	30001000		60U			Single solenoid valve
820	N.C.		60U			Pression reducing valve

07_002_e



Spare parts

ID	P-code	Model	Type	Accessory	Voltage	Description
MODULE:Booster pump						
1100	15100		60U	bp		Booster pump

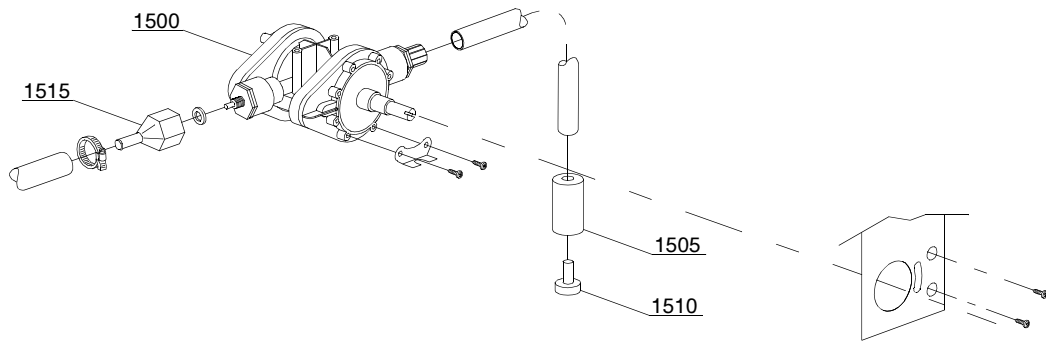


08_005_e

Spare parts

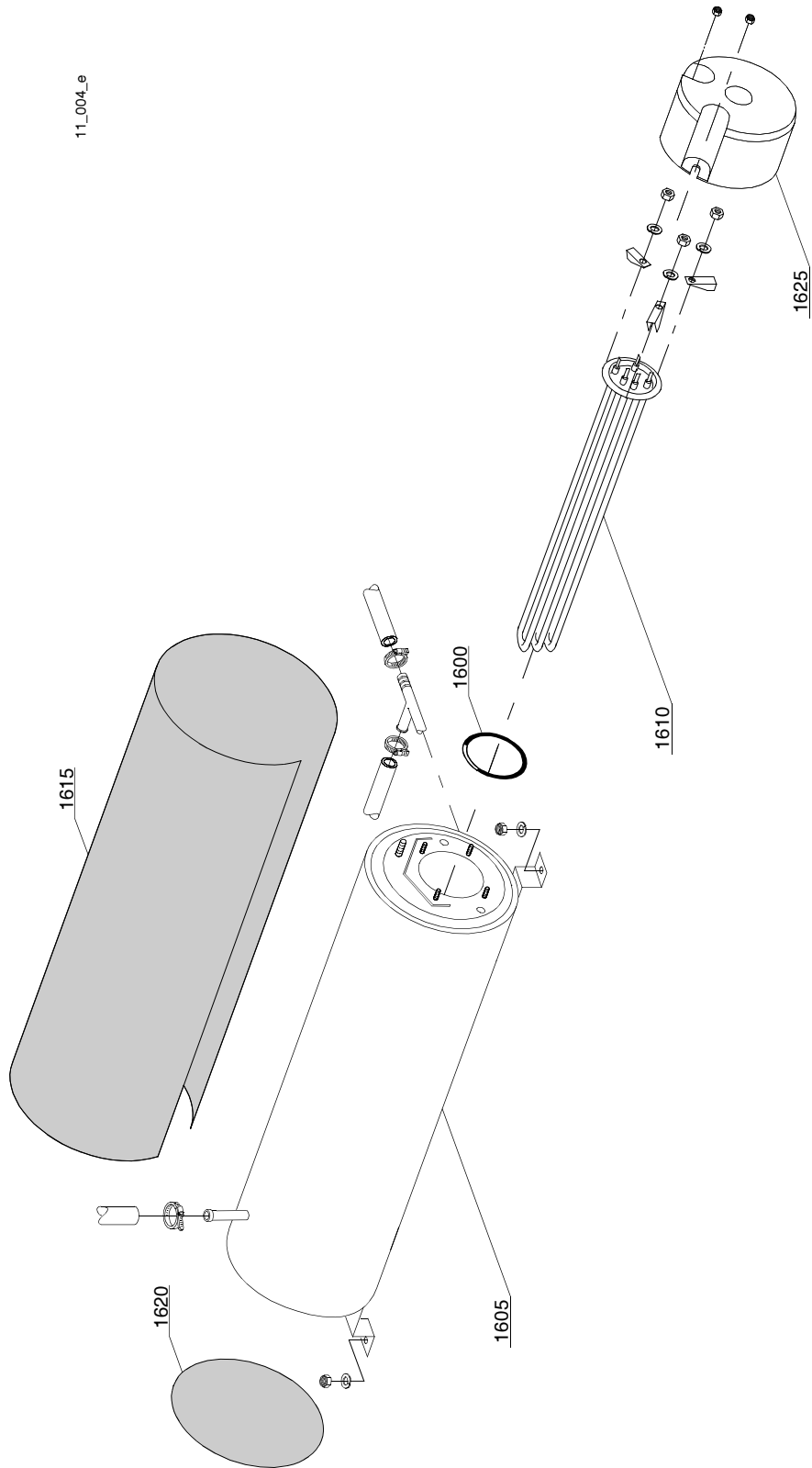
ID	P-code	Model	Type	Accessory	Voltage	Description
MODULE:DVGW						
1300	999900006		60U	dvgw		DVGW assembly

10_002_e



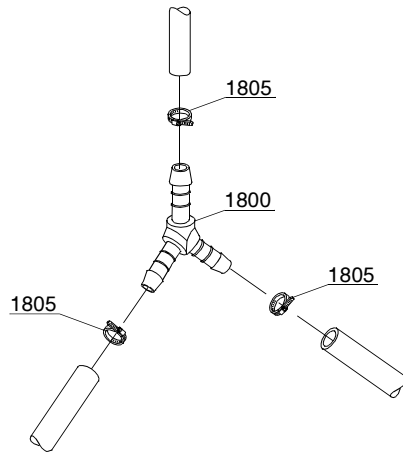
Spare parts

ID	P-code	Model	Type	Accessory	Voltage	Description
MODULE:Shining product dosing device group						
1500	10798		60U			Shining product dosing device
1505	12525		60U			Counter-weight
1510	15058		60U			Small filter
1515	10798/B		60U			Brass pipe fitting



Spare parts

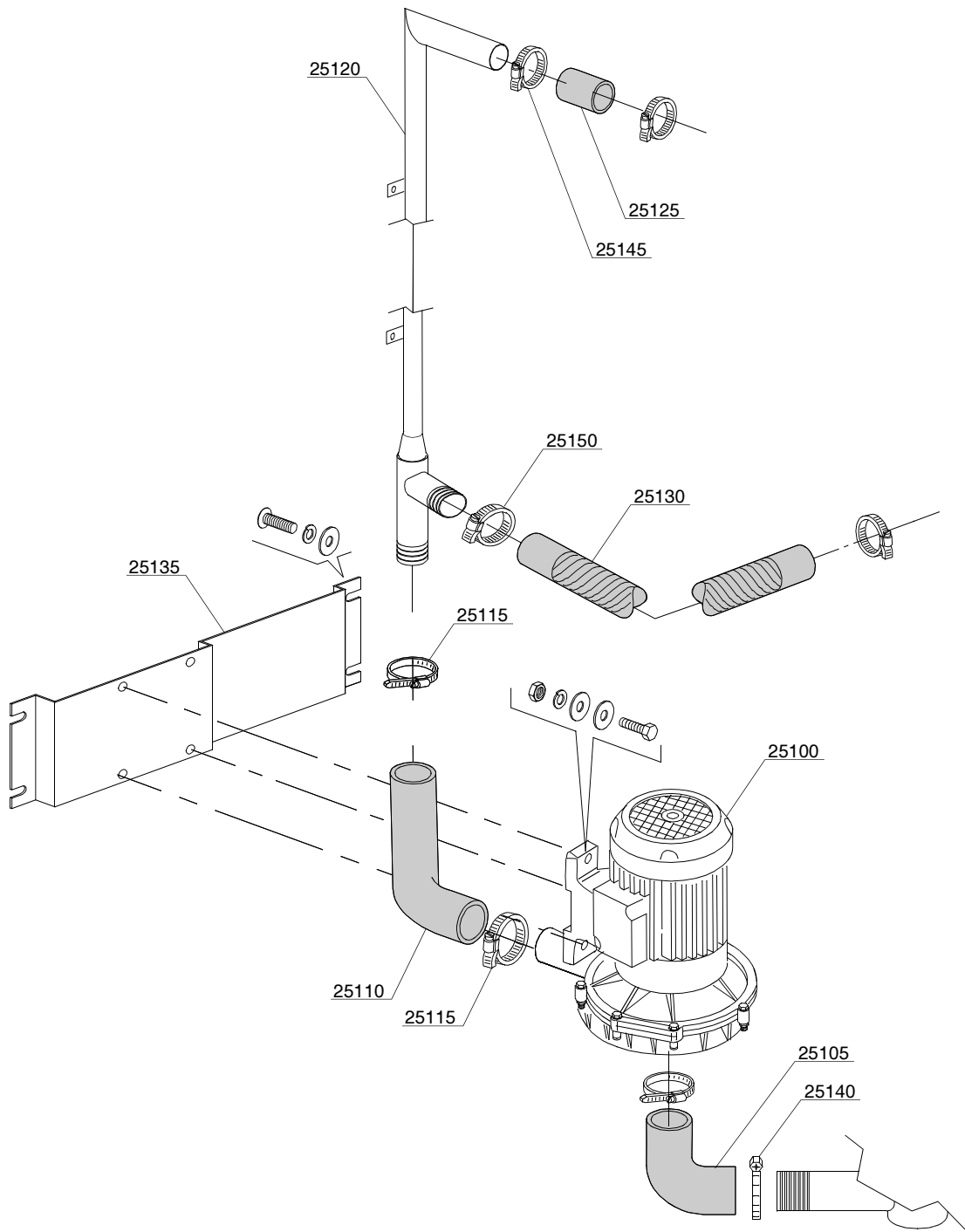
ID	P-code	Model	Type	Accessory	Voltage	Description
MODULE:Boiler group						
1600	13015		60U			6225 OR 160 NBR gasket
1605	22002		60U			Boiler
1610	30001010		60U			6KW heating element
1615	30002030		60U			Insulating boiler
1620	75205		60U			Ø160 bottom
1625	75311		60U			Heating element guard



12_003_e

Spare parts

ID	P-code	Model	Type	Accessory	Voltage	Description
MODULE:3 ways derivation						
1800	540091		60U			Ø12 mm plastic 3 ways derivation
1805	11807		60U			12/22 clamp

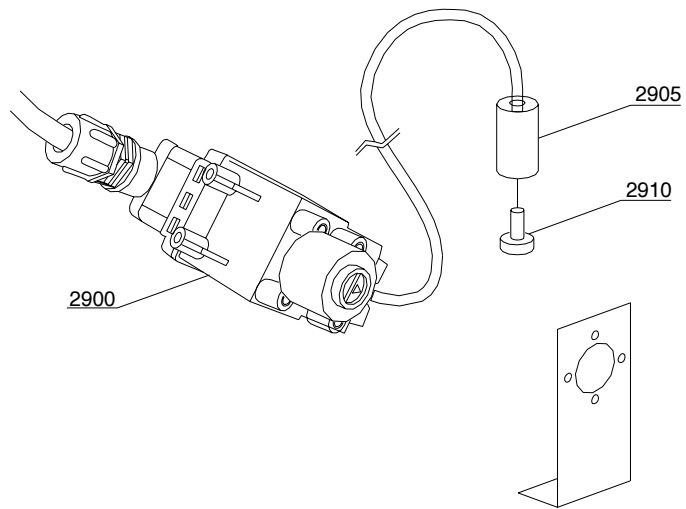
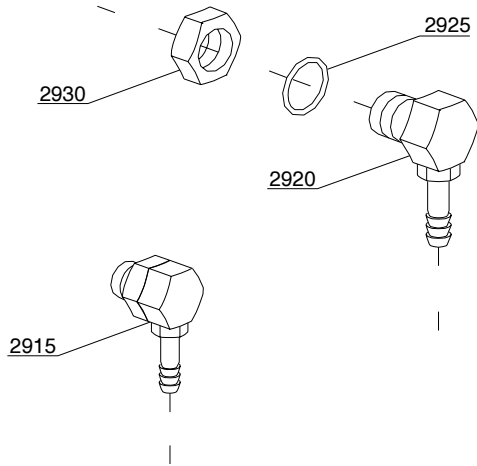


13_116_e

Spare parts

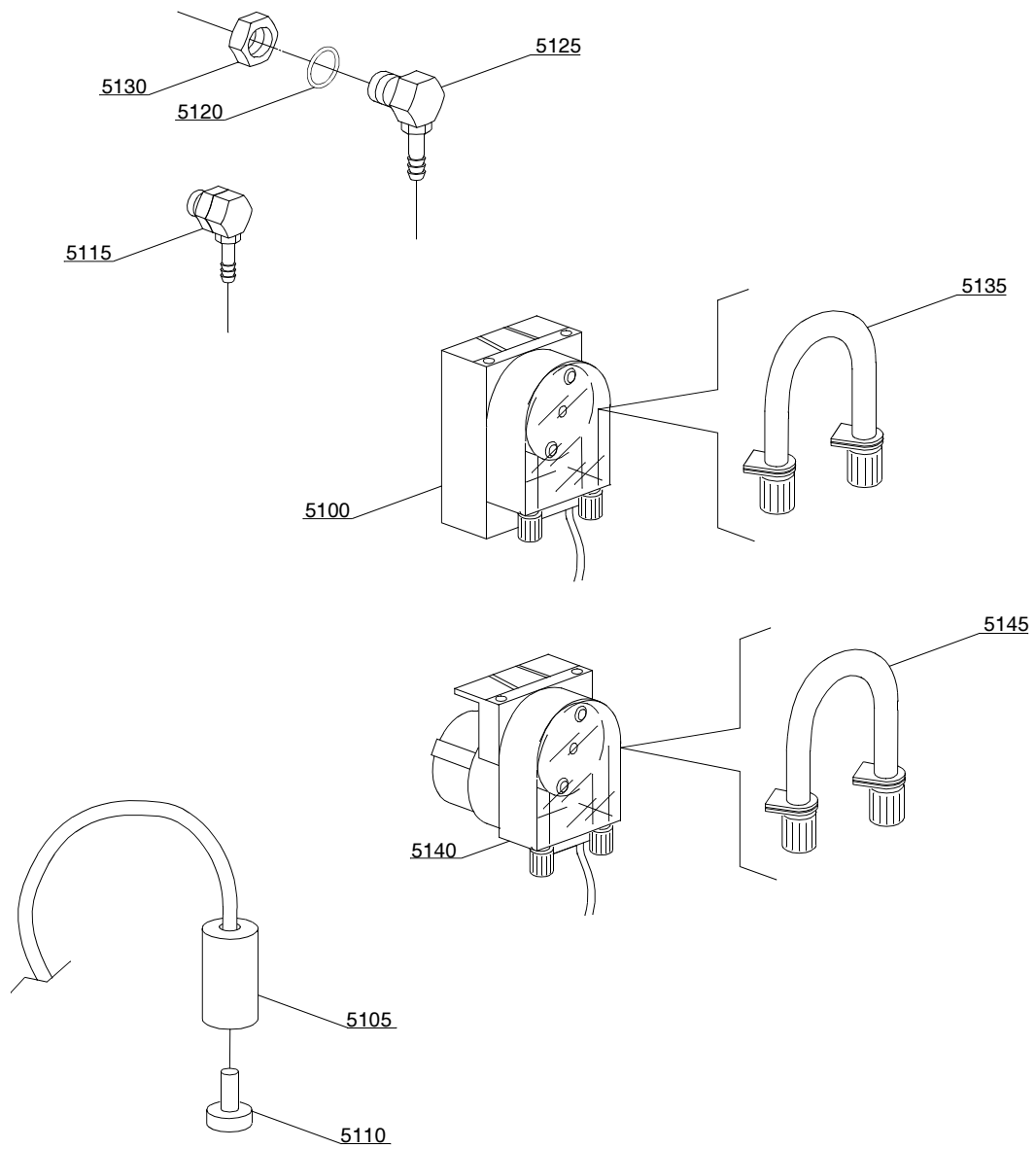
ID	P-code	Model	Type	Accessory	Voltage	Description
MODULE:Wash pump						
25100	22037		60U			2Hp pump
25105	3002020		60U			Suction pipe coupling
25110	3004025		60U			Top delivery pipe
25115	11824		60U			50/70 clamp
25120	90001		60U			Wash ramp
25125	90029		60U			34x45x250 pipe
25130	90030		60U			45x55x280 pipe
25135	90917		60U			Pump support
25140	2902491		60U			60/80 clamp
25145	11809		60U			30/45 clamp
25150	11810		60U			40/60 clamp

14_002_e



Spare parts

ID	P-code	Model	Type	Accessory	Voltage	Description
MODULE:Dosing device group						
2900	15108/L		60U	dd		Lang dosing device
2905	12525		60U	dd		Counter-weight
2910	15058		60U	dd		Small filter
2915	15123		60U	dd		Compleat plastic injector
2920	15148		60U	dd		Steel injector
2925	15159		60U	dd		OR gasket
2930	10200205		60U	dd		M12x1 stainless steel nut

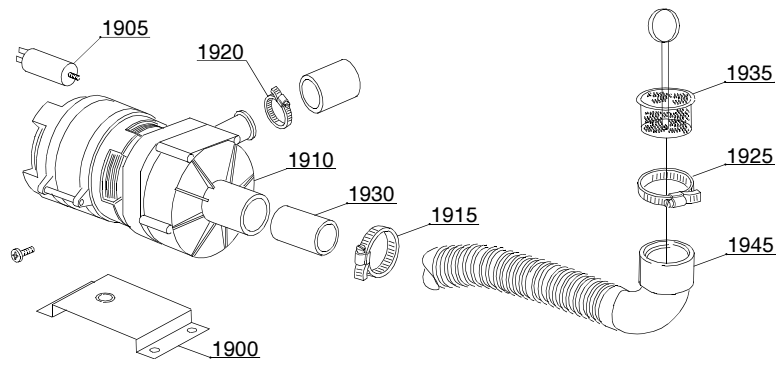


14_004_e

Spare parts

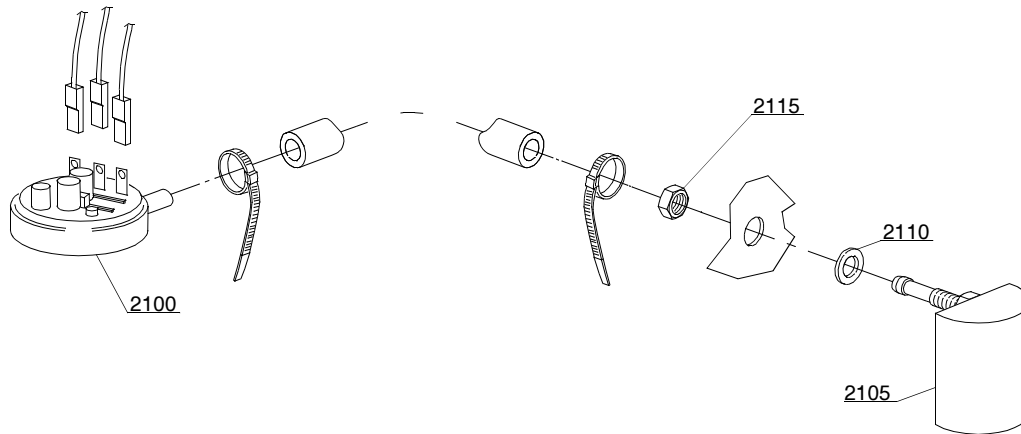
ID	P-code	Model	Type	Accessory	Voltage	Description
MODULE:Dosing device group						
5100	15985		60U	dd		Seko dosing device
5105	12525		60U	dd		Counter-weight
5110	15058		60U	dd		Small filter
5115	15123		60U	dd		Complet plastic injector
5120	15148		60U	dd		Steel injector
5125	15159		60U	dd		OR gasket
5130	10200205		60U	dd		M12x1 stainless steel nut
5135	15185		60U	dd		Seko thermoplastic pipe
5140	15985		60U	dd		Germac dosing device
5145	15108/E		60U	dd		Germac thermoplastic pipe

15_003_e



Spare parts

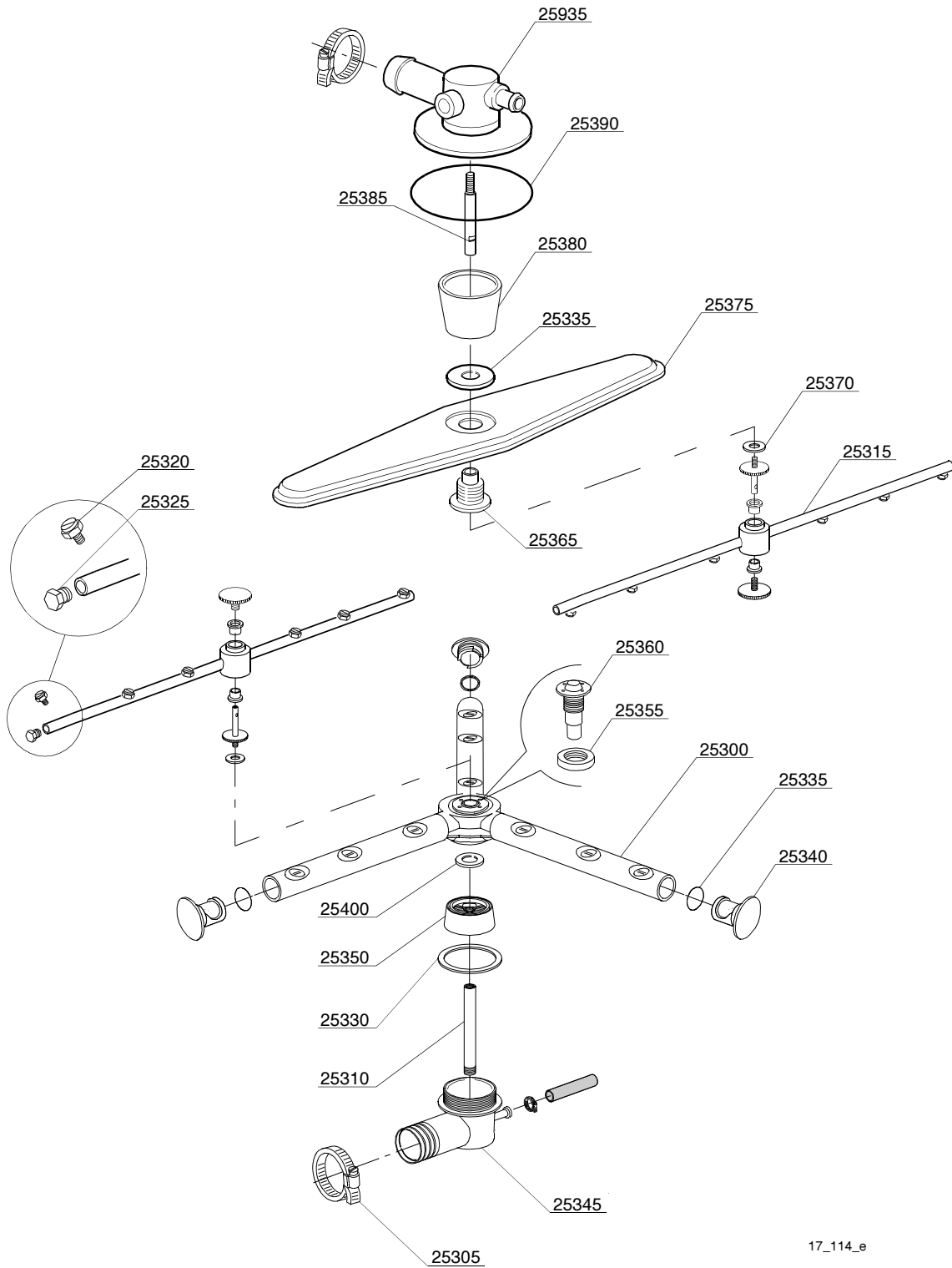
ID	P-code	Model	Type	Accessory	Voltage	Description
MODULE:Drain pump group						
1900	440122		60U	dp		Pump support
1905	10702		60U	dp		5 uF condenser
1910	10501/A		60U	dp		Drain pump
1915	11806		60U	dp		25/40 clamp
1920	11836		60U	dp		20/32 clamp
1925	11809		60U	dp		30/45 clamp
1930	18044		60U	dp		Ø28 top wash pipe



16_001_e

Spare parts

ID	P-code	Model	Type	Accessory	Voltage	Description
MODULE:Pressure switch group with air trap						
2100	90023		60U			190-60 pressure switch
2105	10911		60U			Air trap assembly
2110	13301		60U			Gasket
2115	11702		60U			M8 stainless steel nut



17_114_e

Spare parts

ID	P-code	Model	Type	Accessory	Voltage	Description
MODULE:Turret group with rotating arms						
25300	90004		60U			Upper/lower complet wash rotor
25305	11810		60U			40/60 clamp
25310	90010		60U			Top axle extension
25315	90003		60U			Rinse group
25320	560018		60U			Stainless steel rinse nozzle
25325	560017		60U			Rinse arm plug
25330	80208		60U			95x75x3 gasket
25335	13023		60U			OR 131 (4093) NBR gasket
25340	3003029		60U			Plastic plug
25345	90008		60U			Lower turret
25350	90009		60U			Turret fixing hub
25355	75317		60U			Nut for hub
25360	75316		60U			Hub for rotor
25365	75320		60U			Hub for rotor
25370	90031		60U			Sliding washer
25375	10600900		60U			Wash rotor
25380	11600035		60U			Lower turret
25385	11600021		60U			Lower rinse axle
25390	13015		60U			6225 OR 160 NBR gasket
25395	500612		60U			Top/lower turret
25400	11600033		60U			Flux reducer