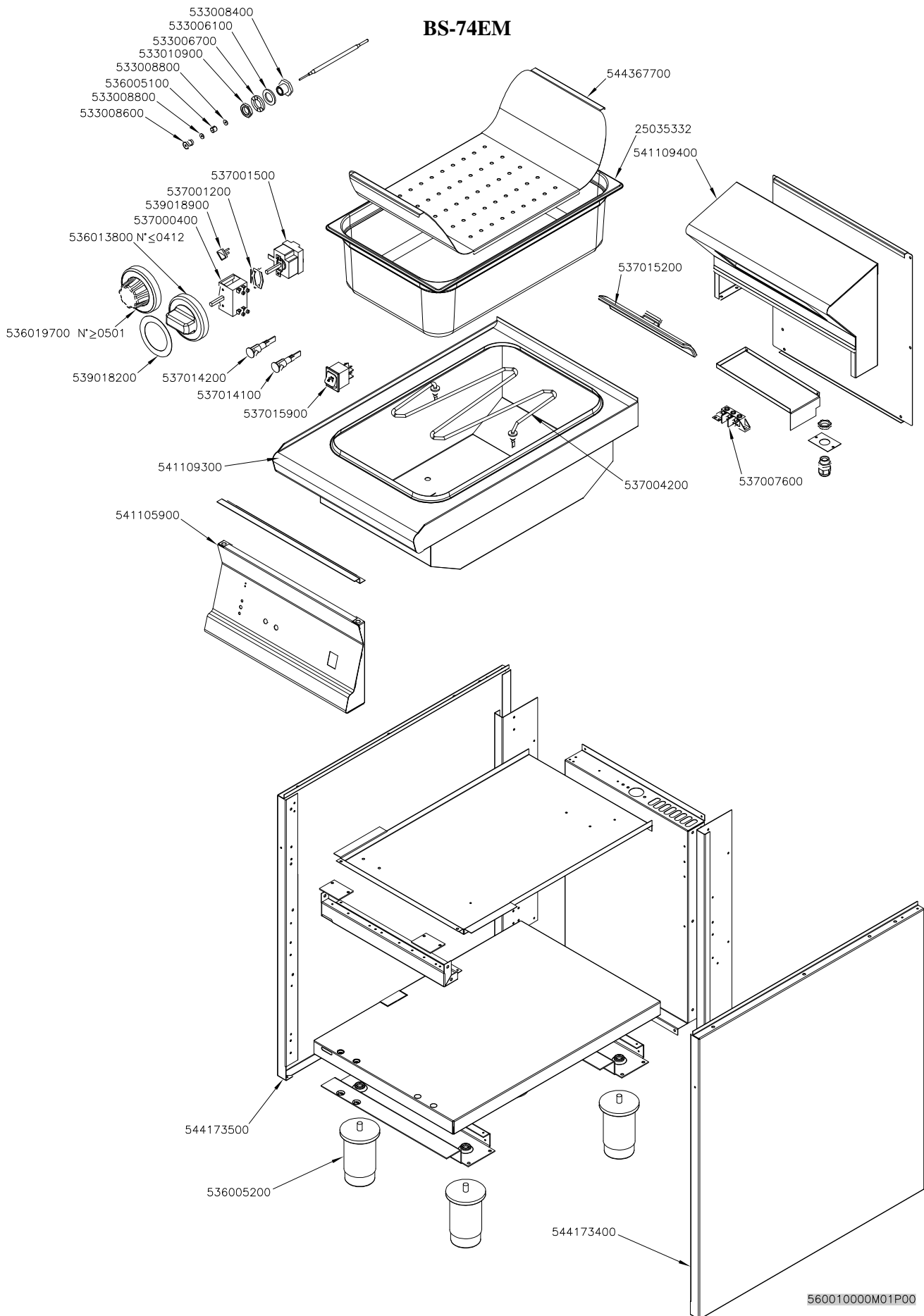


# SUPERLOTUS 70

ELETTRICO / ELECTRIC / ELEKTRO / ELECTRIQUE

## BS-74EM



560010000M01P00

Page	Pos	Code	Description
001		533008400	LOCK NUT M14*1-M9*1
001		533006100	GASKET D.24
001		533006700	NOTCHED WASHER D.14
001		533010900	NUT M14*1 H.4
001		533008800	WASHER FOR STUFFING BOX §7.7
001		536005100	GRAPHITE §07,4 GASKET
001		533008600	STUFFING BOX M9*1
001		537001500	THERMOSTAT 30-90°C SINGLEPHASE
001		537001200	FIXING BRACKET FOR THERMOSTAT/COMM.
001		539018900	INDEX FOR KNOB
001		537000400	COMMUTATOR 1POS.SINGLEPHASE S49 16A
001		536013800	KNOB D.70 BLACK 6*5 WITH SPRING
001		544367700	FALSE BOTTOM GN1/1 VERT.BS-74EM
001		25035332	
001		541109400	SPACER BS-74E
001		537015200	CERAMIC HEATING EL.W650 V230 BS-74E
001		537004200	HEATING ELEMENT W823 V230 BM
001		537007600	TERMINAL BLOCK SINGLEPHASE 40A
001		536019700	BLACK KNOB §70 PIN §6*5
001		539018200	ADHESIVE GRADUATED DISC FOR KNOB
001		537014200	GREEN WARNING LIGHT 250V
001		537014100	WHITE WARNING LIGHT 250V
001		537015900	BIPOLAR SWITCH
001		541109300	UPPER PLATE BS-74E
001		541105900	CONTROL PANEL BS-74E
001		544173400	RIGHT SIDE PANEL S.70
001		544173500	LEFT SIDE PANEL S.70
001		536005200	INOX LEG 2" 120-180 M10