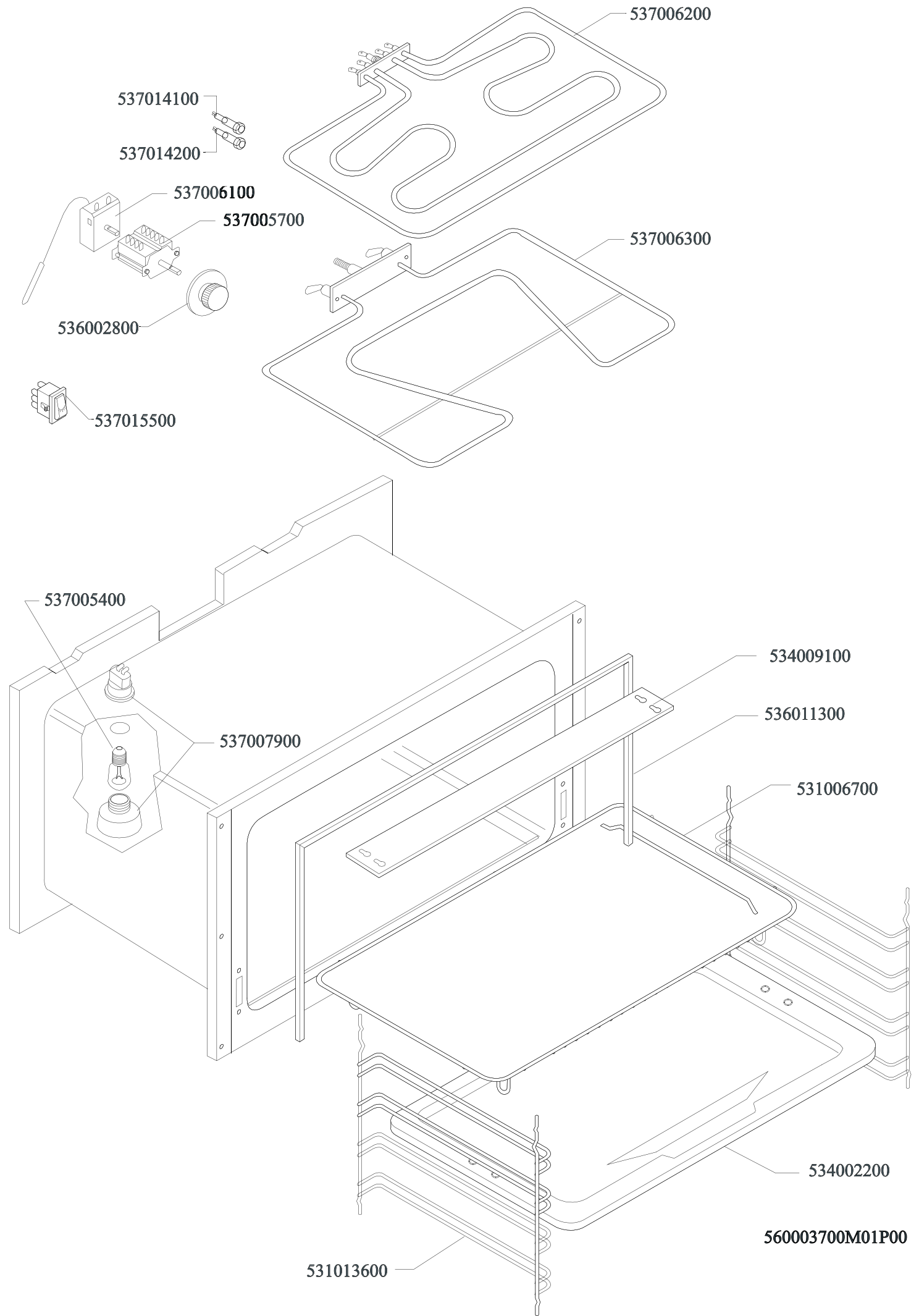


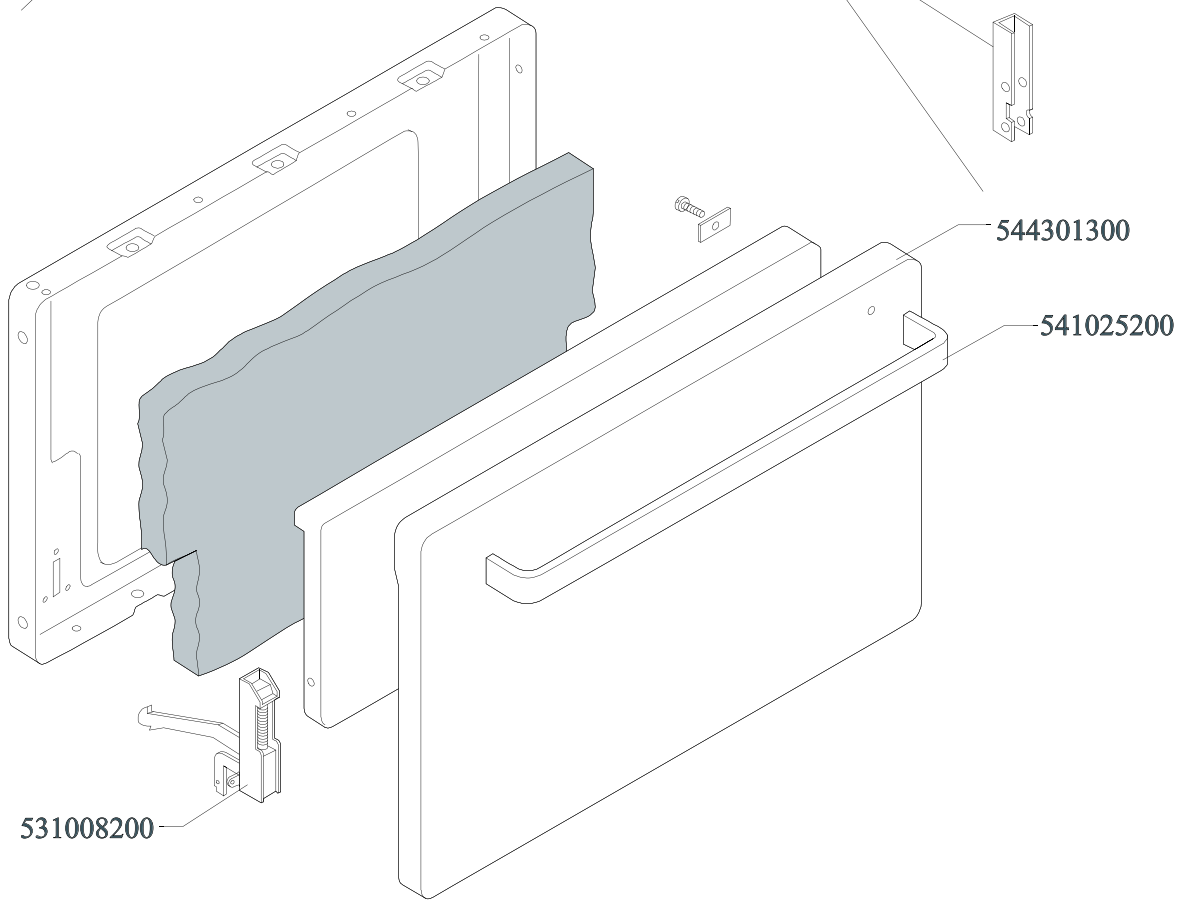
560006500M01P00



560003700M01P00

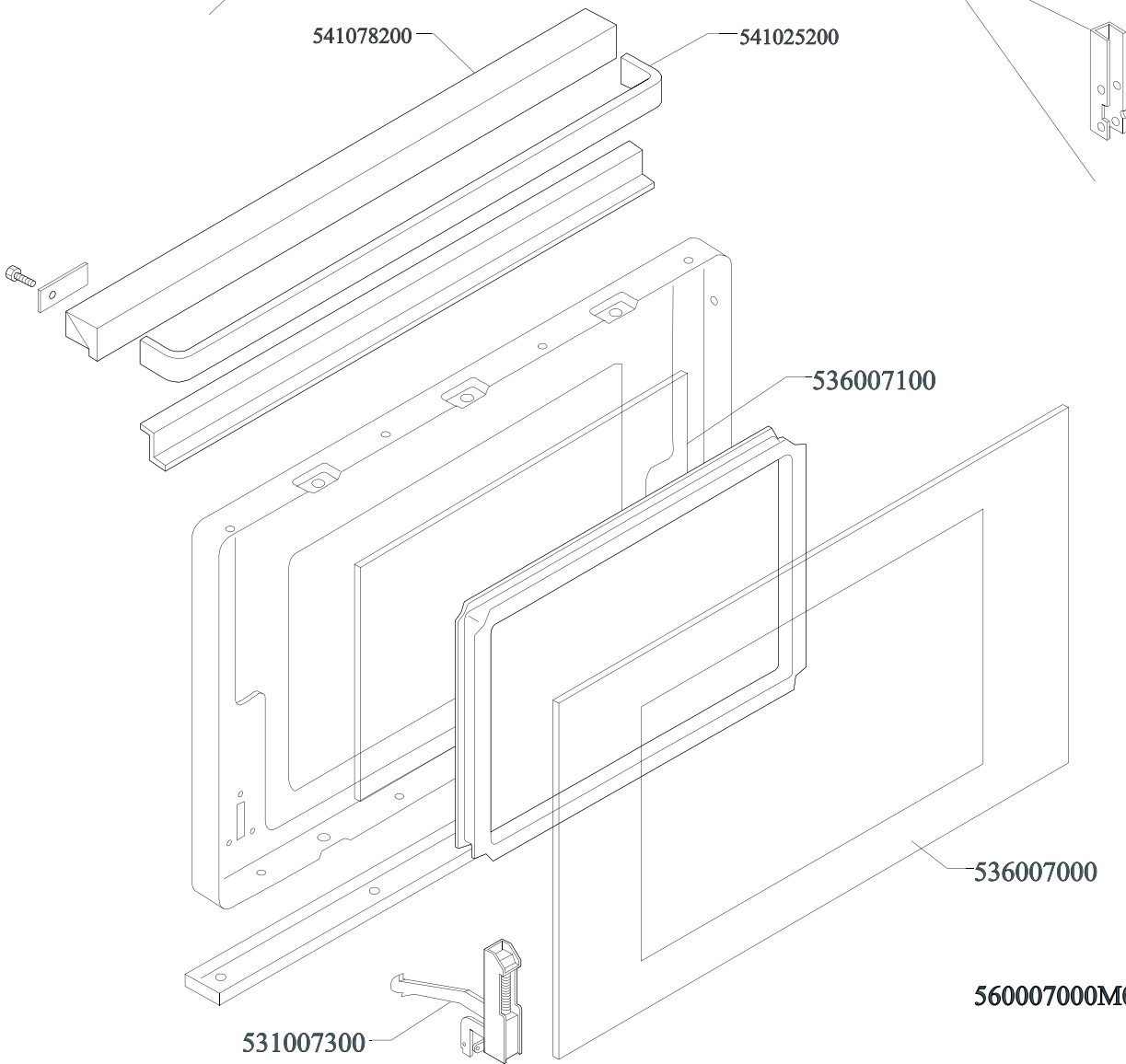
531031200

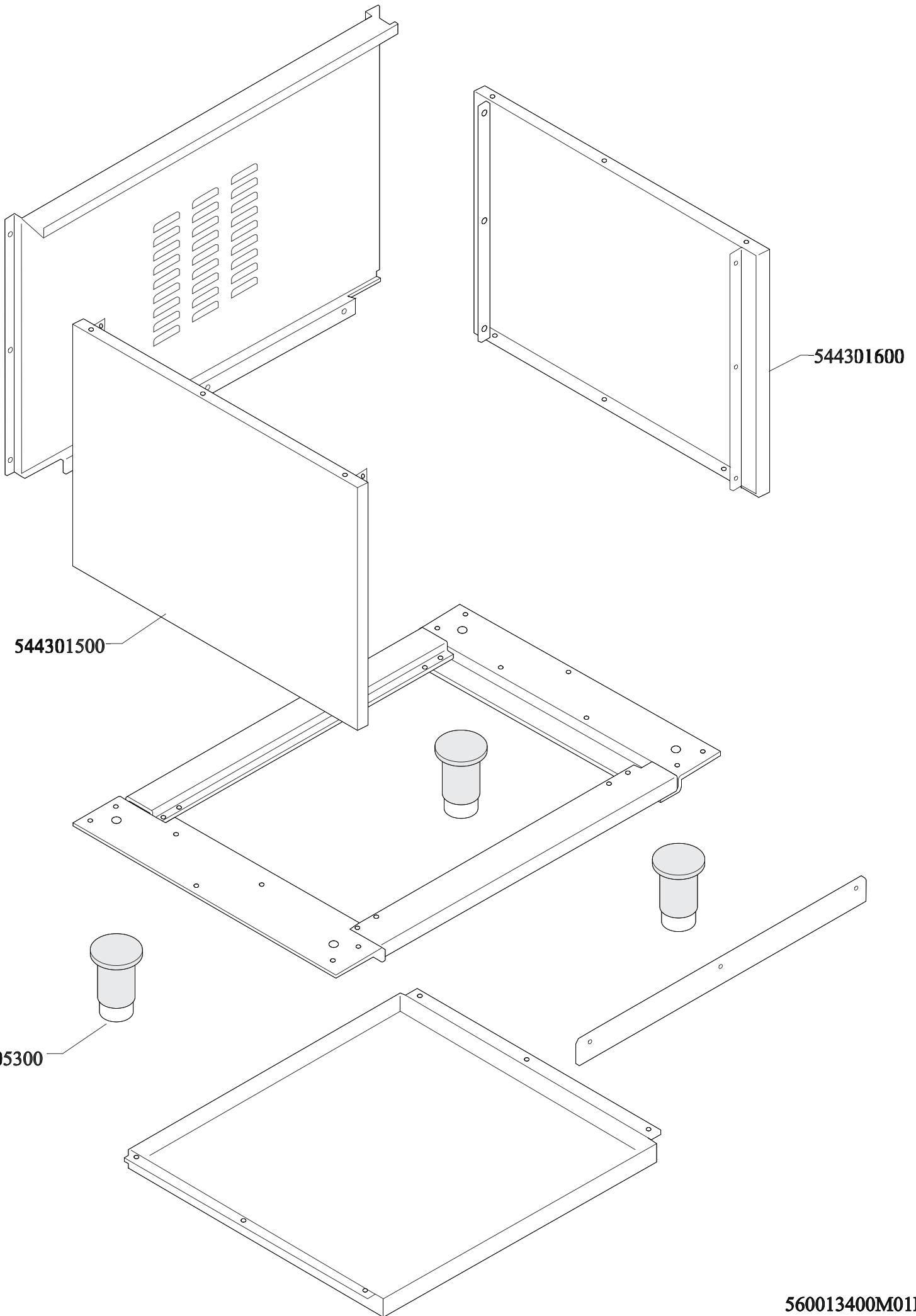
531007900



531031300

531012400





Page	Pos	Code	Description
001		541070100	NEUTRAL SPACER 8
001		537002300	ELECTRICAL PLATE D.220 W2000 V230
001		539018900	INDEX FOR KNOB
001		57014100	
001		544257400	UPPER PLATE PC-8E
001		544263500	RIGHT SIDE S.65
001		544293600	CONTROL PANEL CF4/CFC4-8ET
001		544302100	CONTROL PANEL CF4/CFC4-8ETS
001		537000300	COMMUTATOR 7 POSITIONS S.49 16A
001		544263600	LEFT SIDE S.65
001		537027400	TERMINAL BLOCK THREEPHASE 40A
001		537014100	WHITE WARNING LIGHT 250V
001		536013800	KNOB D.70 BLACK 6*5 WITH SPRING
001		539018100	ADHESIVE GRADUATED DISC FOR KNOB
002		537006200	UPPER OVEN HEATING EL.3000W 230V
002		537014100	WHITE WARNING LIGHT 250V
002		537014200	GREEN WARNING LIGHT 250V
002		537006100	OVEN THERMOSTAT CF-62/8/10
002		537005700	OVEN COMMUTATOR CF-8/10 EL.
002		537006300	LOWER OVEN HEATING EL.W1600 230CF8/
002		536002800	ELECTRIC OVEN KNOB CF-8/10
002		537015500	REDLIGHTED SWITCH
002		537005400	OVEN BULB 15W 300°C
002		534009100	GRILL PROTECTION CF-8/10
002		536011300	OVEN GASKET 65/60 *OLD MODEL*
002		537007900	OVEN BULB-SOCKET WITH LAMP
002		531006700	OVEN GRID FOR CF-8/10
002		531013600	SIDE GRID FOR MAXI/VENTILATED OVEN
002		534002200	OVEN DRIPPING-PAN CF-8/10
003		531031200	COMPLETE STAINLESS STEEL OVEN DOOR
003		531007900	STAINLESS STEEL DOOR WHEEL HOLDER
003		544301300	STAINLESS STEEL OVEN DOOR PANEL 65
003		541025200	STAINLESS STEEL OVEN DOOR HANDLE
003		531008200	STAINLESS STEEL DOOR HINGE CF-8/10
003		531031300	COMPLETE GLASS OVEN DOOR 65LINE
003		531012400	GLASS DOOR WHEEL HOLDER CF-8/10
003		541078200	HANDLE SUPPORT GLASS DOOR CF-65
003		536007100	INTERNAL GLASS OVEN DOOR CF-8/10
003		536007000	EXTERNAL GLASS OVEN DOOR CF8/10
003		531007300	GLASS DOOR HINGE CF-8/10
004		544301600	RIGHT SIDE FOR 65 RANGE
004		544301500	LEFT SIDE FOR 65 RANGE
004		536005300	PLASTIC LED 2"