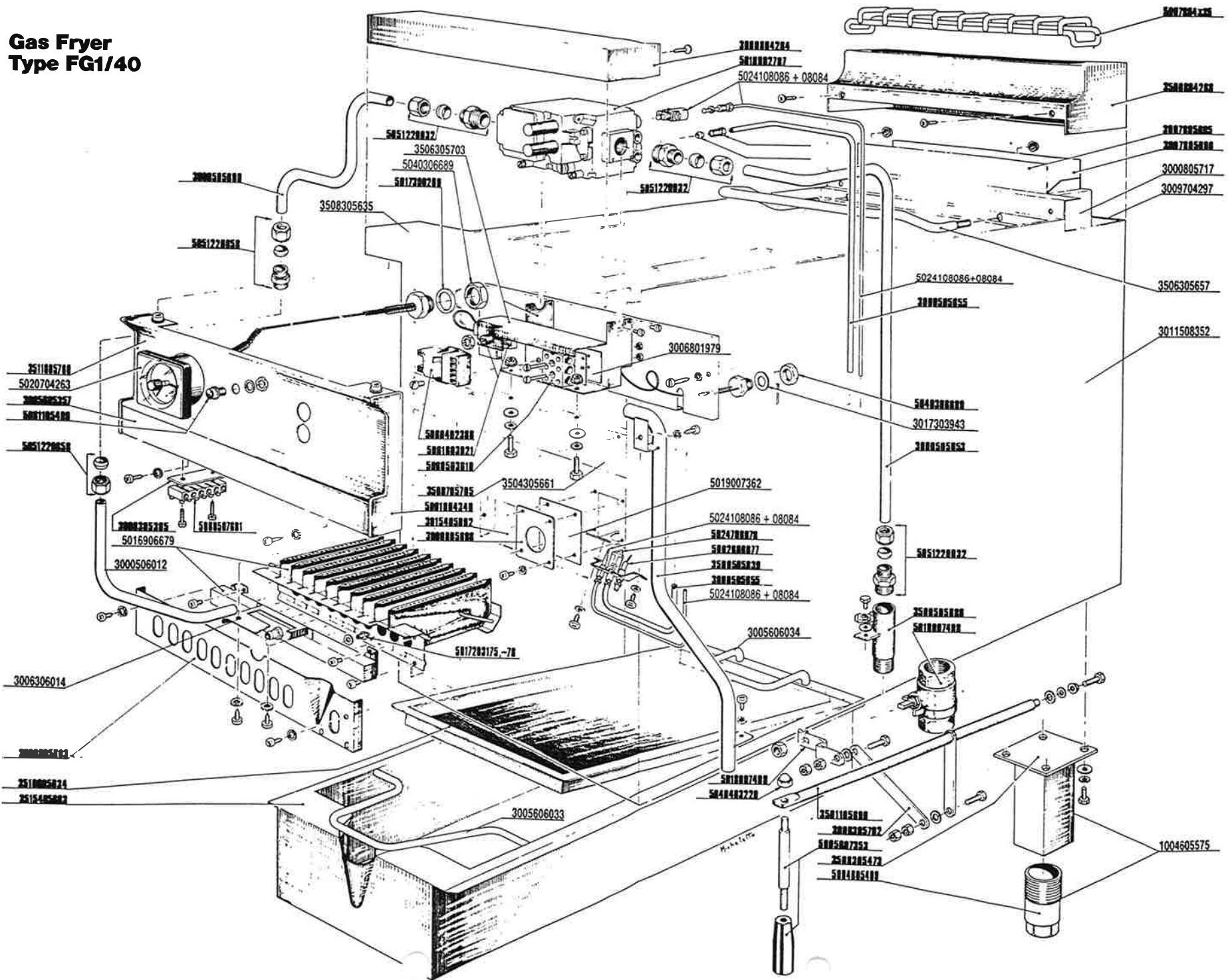


Gas Fryer Type FG1/40



ERSATZTEILLISTE		LISTA ARTICOLARI	LIST OF PARTS	LIST DES COMPOSANTS	26.07.91
0103905901	GAS-FRITEUSE	FRIGGITRICE GAS	GAS FRYER	FRITEUSE GAZ	FG1/40 PAG. 1
COD.	BESCHREIBUNG	DESCRIZIONE	DESCRIPTION	DESCRIPTION	QUANT.
2003404260	EINFASSUNG	PIANO	TOP	PLAN	FG/FE1/40 1
2005600283	GRIFF BACKROHRTÜR	MANIGLIA PORTINA	DOOR HANDLE	POIGNEE PORTE	BG/BE/85 1
2012000292	SCHARNIER TÜR	CERNIERA PORTINA	DOOR HINGE	CHARNIERE PORTE	M/KT 1
3000505653	ROHR GASLEITUNG	TUBO CONDOTTA GAS	GAS SUPPLY PIPE	TUYAU CONDUITE GAZ	FG/40 1
3000505655	ROHR ZÜNDBRENNER	TUBO PILOTA	PILOT PIPE	TUYAU VEILLEUSE	FG/40 1
3000505669	ROHR ÖLABLAUF	TUBO SCARICO	DRAIN PIPE	TUYAU DECHARGE	FG/GF/FE 1
3000505699	ROHR VERBINDUNG	TUBO RACCORDO	PIPE FITTING	TUYAU RACCORD	FG/40 1
3000506012	ROHR GASZUFUHR RAMPE	TUBO CARICO RAMPA	BRIDGE SUPPLY PIPE	TUYAU ARRIVEE ONT	FG/40 1
3000804261	ABDECKUNG EINF. S.	COPERTURA PIANO	HOB COVERING	COUVERTURE PLAN	FG/FE/40 2
3000804284	ABDECKUNG EINFASS.	CRUSCOTTO PIANO	HOB PANEL	TABLEAU PLAN	G/40 1
3000804292	ABDECKUNG SEITE L.	CRUSCOTTO LATER.S.	PANEL LH SIDE	TABLEAU COTE GAUCH.	G/85 1
3000805063	ABDECKUNG SCHALT.L.	PROTEZIONE PANN.S.	PROTECTION LH PAN.	PROTECTION PANN.G.	G/85 1
3000805693	ABDECKUNG BRENNER V.	CRUSCOTTO BRUC.	BURNER PANEL	TABLEAU BRULEUR	FG/40 1
3000805694	ABDECKUNG E-ANLAGE	PROTEZIONE IMP.EL.	ELEC. SYS. COVER	PROTECTION INST.EL.	FG/40 1
3000805698	ABDECKUNG SCHAULO.	PROTEZIONE SPIA	INDIC. LIGHT COVER	PROTECTION TEMOIN	FG/40 1
3000805717	ABDECKUNG ABZUG	PROTEZIONE TIRAGG.	DRAFT COVER	PROTECTION TIRAGE	FG/40 1
3000808271	ABDECKUNG SEITE R.	CRUSCOTTO LATER.D.	PANEL RH SIDE	TABLEAU COTE DROIT	G/85 1
3000808273	ABDECKUNG SCHALT.R.	PROTEZIONE PANN.D.	PROTECTION RH PAN.	PROTECTION PANN.D.	G/85 1
3001806680	BLLENDE TÜR LINKS	BOMBATO PORTINA S.	CONV.DOOR SECT. LH	PORTE BOMBEE	FG/40 1
3003405601	EINFASSUNG VERB.	FASCIA RACCORDO	CONNECTION STRIP	BANDE RACCORD	F/85 1
3004605432	FUSS VIERKANTROHR	PIEDINO ESTERNO	FOOT EXTERNAL	PIED EXTERNE	G/85 4
3005605357	GRIFF SCHALTBLENDE	MANIGLIA PANNELLO	PANEL HANDLE	POIGNEE PANNEAU	G/40 1
3005606033	GRIFF ÖLLADE VORNE	MANIGLIA OLIO ANT.	OIL HANDLE FRONT	POIGNEE HUILE AVT.	FG/GF 1
3005606034	GRIFF ÖLLADE HIN.	MANIGLIA OLIO POST.	OIL HANDLE REAR	POIGNEE HUILE ARR.	FG/GF 1
3006305060	HALTER SCHARNIER L.	SUPPORTO CERN. SIN.	SUPPORT LH HINGE	SUPPORT CHARNI.GCH.	G/85 1
3006305365	HALTER KLEMME	SUPPORTO MORSETTIERA	TERMINAL SUPPORT	SUPPORT BORNE	FG/40 1
3006305563	HALTER KAMIN	SUPPORTO CAMINO	FLUE SUPPORT	SUPPORT CHEMINEE	FG/FE/40 1
3006305566	HALTER GRIFF L.	SUPPORTO MANIGL.S.	SUPPORT LH HANDLE	SUPPORT POIGNEE G.	G/85 1
3006305667	HALTER WANNE LINKS	SUPPORTO VASCA S.	PAN LH SUPPORT	SUPPORT CUVE GCHE	FG/GF 1
3006305668	HALTER WANNE RECHTS	SUPPORTO VASCA D.	PAN RH SUPPORT	SUPPORT CUVE DRTE	FG/GF/40 1
3006305701	HALTER WELLE VORNE	SUPPORTO ASSE ANT.	SHAFT FRONT SUPT.	SUPPORT AXE AVANT	FG/40 1
3006305702	HALTER AUSLAUF	SUPPORTO SCARICO	DRAIN SUPPORT	SUPPORT DECHARGE	FG/GF/40 1
3006306014	HALTER BRENNER VORNE	SUPPORTO BRUCIATORE A.	BURNER FRONT SUPPORT	SUPPORT BRULEUR AVANT	FG/GF 1
3006306015	HALTER BRENNER HINTEN	SUPPORTO BRUCIATORE P.	BURNER REAR SUPPORT	SUPPORT BRULEURARRIER.	FG/CF 1
3006306040	HALTER ZÜNDBRENNER	SUPPORTO PILOTA	PILOT SUPPORT	SUPPORT VEILLEUSE	FG/GF 1
3006308330	HALTER GRIFF R.	SUPPORTO MANIGL.D.	SUPPORT RH HANDLE	SUPPORT POIGNEE D.	G/85 1
3006801979	ISOLIERPLATTE KLEMME 3-POLIG	ISOLAZIONE MORSETTO 3 POLI	INSULATION 3-POLE TERMINAL	ISOLATION BORNE 3 POLES	2
3006805706	ISOLIERUNG VORNE	ISOLAZIONE ANT.	INSULATION FRONT	ISOLATION AVANT	FG/40 1
3006805707	ISOLIERUNG OBEN	ISOLAZIONE SUP.	INSULATION TOP	ISOLATION SUP.	FG/40 1
3006805708	ISOLIERUNG SEITE	ISOLAZIONE LATO	INSULATION SIDE	ISOLATION COTE	FG/40 2
3007805695	KAMIN VORNE	CAMINO ANT.	FLUE FRONT	CHEMINEE AVANT	FG/40 1
3007805698	KAMIN HINTEN	CAMINO POST.	FLUE REAR	CHEMINEEARRIERE	FG/40 1
3007805697	KAMIN UNTEN	CAMINO INF.	FLUE BOTTOM	CHEMINEE INF.	FG/40 1

0103905901	GAS-FRITEUSE	FRIGGITRICE GAS	GAS FRYER	FRITEUSE GAZ	FG1/40	PAG. 2
COD.	BESCHREIBUNG	DESCRIZIONE	DESCRIPTION	DESCRIPTION		QUANT.
3008304246	TRÄGER EINFASSUNG	PORTANTE FASCIA	CONNECT.STRIP SUPT.	PORTANT BANDE	G/40	1
3008705704	MANTEL FEUER S.L..	MANTELLINO FUOCO L.S.	FLAME MANTLE LH	MANTEAU FEU COTE G.	FG/GF/40	1
3008708339	MANTEL FEUER S.R.	MANTELLINO FUOCO L.D.	FLAME MANTLE RH	MANTEAU FEU COTE D.	FG/GF/40	1
3009600147	STIFT SCHARNIER	PERNO CERNIERA	HINGE PIN	PIVOT CHARNIERE	S/70-S/85	1
3009704297	RÜCKWAND	SCHIENA	BACK	DOS	G/40	1
3011504296	SEITENWAND FRIT.L..	FIANCO FRIGG.S.	FRYER LH SIDE	COTE FRITEUSE GCHE	G/85	1
3011508352	SEITENWAND FRIT.R.	FIANCO FRIGG.D.	FRYER RH SIDE	COTE FRITEUSE DRT	G/85	1
3014205438	VERSTÄRKUNG TÜR	RINFORZO PORTINA	DOOR STIFFENER	RENFORT PORTE	G/40	1
3015405692	WANNE BRENNER	VASCA BRUCIATORI	BURNER PAN	CUVE BRULEURS	FG/40	1
3017303943	DICHTUNG CU	GUARNIZIONE CU	GASKET CU	JOINT TORIQUE CU	FG/GF/40	1
3050905656	ÖL-SCHWAPPFILTER	FILTRO OLIO	OIL FILTER	FILTRE HUILE	FG/FE/GF	2
3500505686	ROHR GASANSCHLUSS	TUBO ATTACCO GAS	GAS CONNECT. PIPE	TUYAU ARRIVEE GAZ	FG/40	1
3500505687	ROHR FEUERUNG R.	TUBO FUOCO DESTRO	PIPE RH FLAME	TUYAU FEU DROIT	FG/40	1
3500505688	ROHR FEUERUNG L.	TUBO FUOCO SINISTR.	PIPE LH FLAME	TUYAU FEU GAUCHE	FG/40	1
3500505839	ROHR E-ANSCHLUSS	TUBO ATTACCO ELT.	ELEC.CONNECT.TUBE	TUYAU ARRIVEE ELEC	FG/40	1
3500804268	ABDECKUNG KAMIN	CRUSCOTTO CAMINO	PANEL FLUE	TABLEAU CHEMINEE	GG/ZG/40	1
3500805331	ABDECKUNG KAMIN N	CRUSCOTTO CAMINO N	FLUE BLANK PANEL	TABLEAU CHEMINEE	G/40	1
3501105690	WELLE AUSLAUF	ASTA SCARICO	DRAIN ROD	AXE DECHARGE	FG/40	1
3501605684	BODEN	FONDO	BOTTOM	FOND	FG/40	1
3503105497	DECKEL	COPERCHIO	COVER	COUVERCLE	FG/40	1
3504305661	FASSADE	FACCIATA	FACING	DEVANT	FG/FE/40	1
3505706682	GEGENBLENDE TÜR	CONTROBOMBATO	DOOR COUNTER-SECT.	INTERIEUR PORTE	FG/40	1
3506305657	HALTER KÖRBE	SUPPORTO CESTI	BASKET SUPPORT	SUPPORT PANIERS	FG/40	1
3506305703	HALTER GASVENTIL	SUPPORTO VALVOLA	VALVE SUPPORT	SUPPORT SOUPAPE	FG/40	1
3506708179	ISOLIERMANTEL L.	MANTELLINO ISOL.S.	INSULAT.JACKET LH	MANTEAU ISOL.GCHE	FG	1
3506708180	ISOLIERMANTEL R.	MANTELLINO ISOL.D.	INSULAT.JACKET RH	MANTEAU ISOL.DROIT	FG	1
3508304243	TRÄGER QUER UNT.L	PORTANTE TRAS.INF.	MEMBER CROSS BOT.LH	PORTANT TRANS.INF.G.	G/85	1
3508305473	TRÄGER FUSS	SUPPORTO PIEDI	FOOT SUPPORT	SUPPORT PIED	G/85	4
3508305635	TRÄGER LÄNGS VORNE	PORTANTE LONG.ANT.	MEMBER LONG. FRONT	PORTANT LONG.AVANT	FG/FE/40	1
3508308224	TRÄGER QUER UNT.R.	PORTANTE TRAS.INF	MEMBER CROSS BOT.RH	PORTANT TRANS.INF.D	G/85	1
3508705705	MANTEL FEUERUNG V.	MANTELLINO FUOCO ANT.	MANTLE FRONT FLAME	MANTEAU FEU AVANT	FG/GF/40	1
3510605634	RAHMEN ÖLSIEB	TELAIO FILTRAOLIO	OIL FILTER FRAME	CHASSIS FILTRE HUILE	FG/GF	1
3511805760	SCHALTBLENDE	PANNELLO COMANDO	CONTROL PANEL	PANNEAU COMMANDE	FG/40	1
3512005071	SCHARNIER OBEN L.	CERNIERA SUP.SIN.	HINGE LH SUPPORT	CHARNIERE SUP.GCHE	G/85	1
3515405663	WANNE ÖLABLAUF	VASCA SCARICO OLIO	OIL DRAIN PAN	CUVE DECHARGE HUIL.	FG/GF	1
3515405664	WANNE	VASCA	PAN	CUVE	FG/40	1
5001804340	BLENDE-ABSCHLUSS	TERMINALE CRUSCOTTO	PANEL ENDPICCE	EXTREMITE TABLEAU	S/85	2
5004605409	FUSS VERSTELLBAR	PIEDINO REGOLABILE	ADJUSTABLE FOOT	PIED REGLABLE	G/85	4
5005603303	GRIFF SCHMETTERLING SCHWARZ	MANIGLIA A FARFALLA AL.NERA	BUTTERFLY HANDLE AL. BLACK	POIGNEE PAPILLON AL.NOIRE		1
5005607353	GRIFF WELLE AUSLAUF	MANIGLIA CON PERNO	HANDLE WITH PIN	POIGNEE A PIVOT	FG/GF/PG	1
5005607482	GRIFF DECKEL	MANIGLIA COPERCHIO	COVER HANDLE	POIGNEE COUVERCLE	EF/GF	1
5006805231	ISOLIERMASSE FIEBERCAST 2400	GETTATA FIBERCAST 2400	FIBERCAST CASTING 2400	COULEE FIBERCAST		2,500
5007804335	KAMIN ROST	GRIGLIA CAMINO	FLUE GRILL	GRILLE CHEMINEE	G/85	1

	ERSATZTEILLISTE	LISTA F RTICOLARI	LIST OF PARTS	LIST DES COMPOSANTS	26.07.91
	GAS-FRITEUSE	FRIGGITRICE GAS	GAS FRYER	FRITEUSE GAZ	FG/40 PAG. 3
COD.	BESCHREIBUNG	DESCRIZIONE	DESCRIPTION	DESCRIPTION	QUANT.
5010102360	NETZ ÖLSIEB246x460mm	SETACCIO OLIO 246x460mm	OIL SIEVE	SAS HUILE 246x460mm	FG/FE 1
5010105213	GITTER 400x290x36	RETE CESTO 400x290x36	BASK.MESH 400x290x36	PANI.A FRIRE 400x290x36	FG/40 1
5016906679	BRENNER	BRUCIATORE A 10 ELEMENTI	BURNER 10-ELEMENT	BRULEUR A 10 ELEMENTS	FG/GF/40 1
5017203175	DÜSE BRENNER D=3	UGELLO BRUCIATORE NP 50 R	BURNER JET NP 50 R	GICLEUR BRULEUR NP 50 R	NP 50 R 10
5017203176	DÜSE BRENNER D=3	UGELLO BRUCIATORE NP 90 R	BURNER JET NP 90 R	GICLEUR BRULEUR NP 90 R	NP 90 R 10
5017207877	DÜSE ZÜNDBRENNER	UGELLO PILOTA G 27	PILOT JET G 27	GICLEUR VEILLEUSE G 27	G 27 1
5017300269	DICHTUNG CU	GUARNIZIONE CU 21,5x28x1,5	GASKET CU 21.5x28x1.5	JOINT TORIQUE CU 21,5x28x1,5	21,5x28x1,5 1
5018003288	KUGELVENTIL 3/4"	VALVOLA A SFERA 3/4"F-F SERIE	BALL VALVE 3/4"F-F SERIES	CHAPET A BILLE 3/4"F-F SERIE	DIN - DVGW 1
5018007498	KUGELVENTIL1"	VALVOLA A SFERA 1"	BALL VALVE	CHAPET A BILLE 1"	1
5018902787	GASTHERMOSTAT ELETTROSIT	VALVOLA ELETTROSIT	VALVE ELECTROSIT	SOUPAPE ELETTROSIT	FG 1
5019007362	GLAS SCHAUL.125x65	MICA CHIARA 125x65	CLEAR MICA 125x65	MICA CLAIR 125x65 KB/50/90	KB/50/90 ,500
5020704263	THERMOMETER THERMOSTAT	TERMOMETRO TERMOSTATO	THERMOSTAT THERMOMETER	THERMOMETRE THERMOSTAT	FG/40 1
5020804334	KORB KLEIN	CESTELLO PICCOLO	BASKET SMALL	PETIT PANIER	F/40 2
5024108084	THERMOFÜHLER VERL.	PROLUNGA TERMOCOPPIA	THERMOCOUPLE EXTENSION	RALLONGE THERMOCOUPLE	GF/FG 1
5024108086	THERMOFÜHLER 600 mm	TERMOCOPPIA INTERRUPTA 600	THERMOCOUPLE INTERRUPT.600	THERMOCOUPLE OUVERT	GF/FG 1
5024706678	ZÜNDBRENNER 3-WEG 6mm	PILOTA ACCENSIONE 3 VIE 6mm	LIGHTING PILOT 3-WAY 6mm	VEILLEUSE ALLUMAGE 3	FG/GF 1
5027609400	ROLLE KUNSTSTOFF	BOCCOLA NYLON 66 NATURALE	BUSHING NYLON 66	BOUCLE NYLON 66 NATUREL	GERÄTE 1
5040306689	UTTER 6KT M14x1	DADO ESAGONALE M 14x1	HEXAGONAL NUT M 14x1	ECROU HEXAGONAL M 14x1	FG/GF 1
5040403220	HUTMUTTER 6KT MS M10	DADO CIECO ES OTTONE M10	CAP NUT HEX. BRASS M10	ECROU BORGNE ES LAITON M10	1
5051202256	ROHRVERSCHRAUBUNG GASV.	RACCORDO + BICONO 6 M10x1 L16	FITTING + OLIVE 6 M10x1 L16	RACCORD+ BICONE 6 M10x1 L16	D=6 1
5051220032	ROHRVERSCHRAUBUNG	RACCORDO DIRITTO 1/2">12	STRAIGHT FITTING 1/2">12	RACCORD DROIT 1/2">12	MS 1/2">12 3
5051220658	ROHRVERSCHRAUBUNG	RACCORDO OT.DIRITTO 12-12	STR. FITTING BRASS 12-12	RACCORD LAITON DRT 12-12	MS 12-12 1
5051302780	REDUZIERUNG FIG.241	RIDUZIONE FIG.241 3/4">1/2"	ADAPTOR FIG.241 3/4">1/2"	REDUCTION FIG.241 3/4">1/2"	3/4">1/2" 1
5060402366	ZÜNDKONTAKTE ELETTRO SIT	CONSENSO ACC.ELET. CON CAVO	ELEC. ENABLING WITH CABLE	INTERR.P. ALL.ELECT.AVEC CABLE	1
5060402386	TAKTFUNKENZÜNDGERÄT	ACCENSIONE ZAG-2	LIGHTING ZAG-2	ALLUMAGE ZAG-2	ZAG-2 1
5060503610	ANSCHLUSSKLEMME 3-POLIG	MORSETTIERA 8016 V/3 DS KR	TERMINAL 8016 V/3 DS KR	BORNE 8016 V/3 DS KR	1
5060507681	ANSCHLUSSKLEMME 10Q 4-POLIG	MORSETTIERA 8010/4.DS.KR.	TERMINAL 8010/4.DS.KR.	BORNE 8010/4.DS.KR.	1
5061003569	KABEL ZÜNDUNG 600	CAVO ACCENSIONE 600mm	LIGHTING CABLE 600mm	CABLE ALLUMAGE 600mm	S/70 1
5061105499	KONTROLLAMPE GRÜN	PORTALAMPADA GEMMA VERDE	LAMP-HOLDER GEMMA GREEN	DOUILLE TEMOIN VOYANT VERT	FG/GF 1
5061603921	SICHERHEITSTHERMOSTAT	TERMOSTATO LIMITATORE	LIMITER THERMOSTAT	THERMOSTAT LIMITEUR	FG1/40 1
5062606677	ZÜNDKERZE RUND	CANDELETTA ACCENSIONE	LIGHTING PLUG	BOUGIE ALLUMAGE	FG/GF 1
5207400704	HOLZVERSCHLAG	IMBALLO LEGNO	WOODEN CRATE	EMBALLAGE BOIS	S/40 1