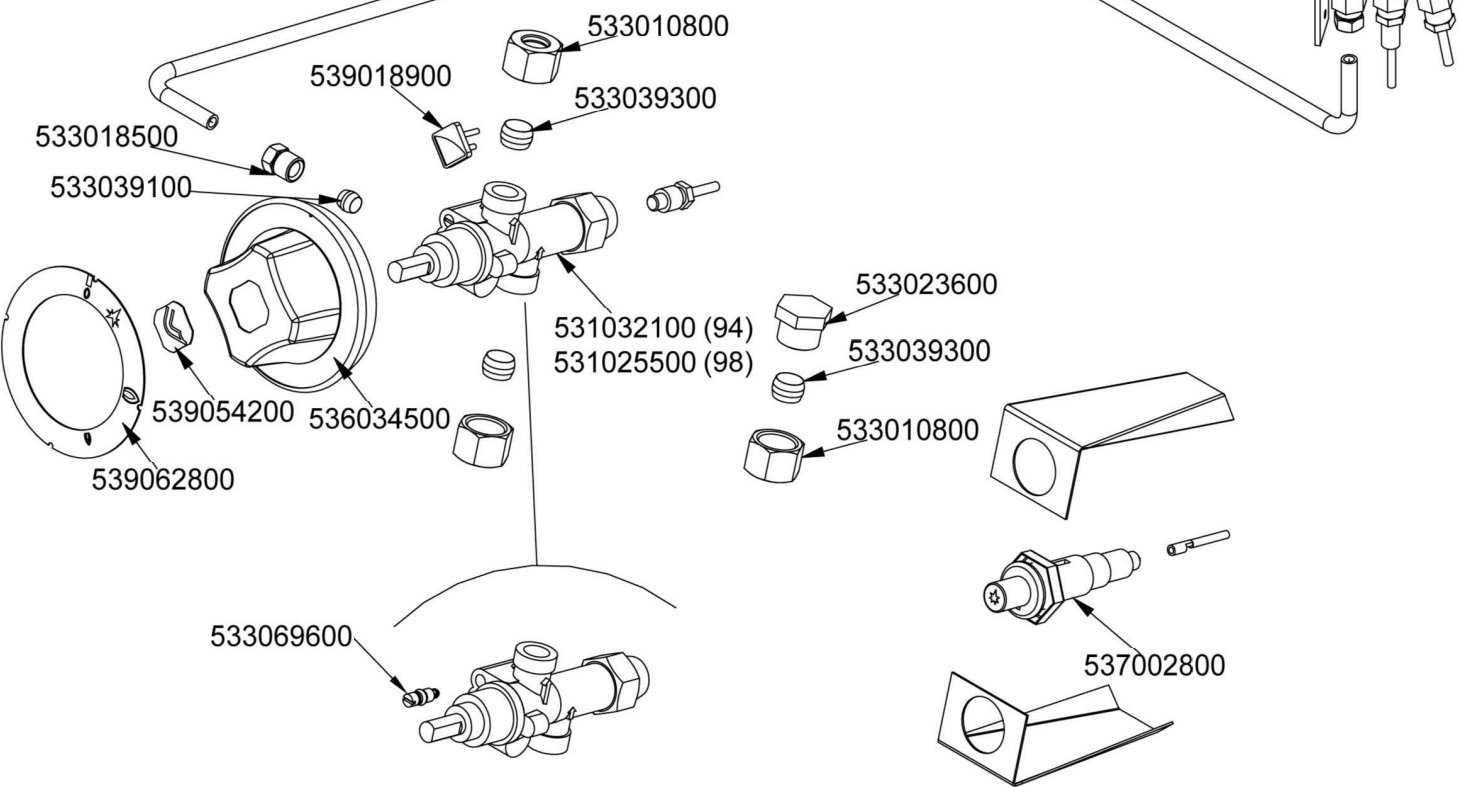
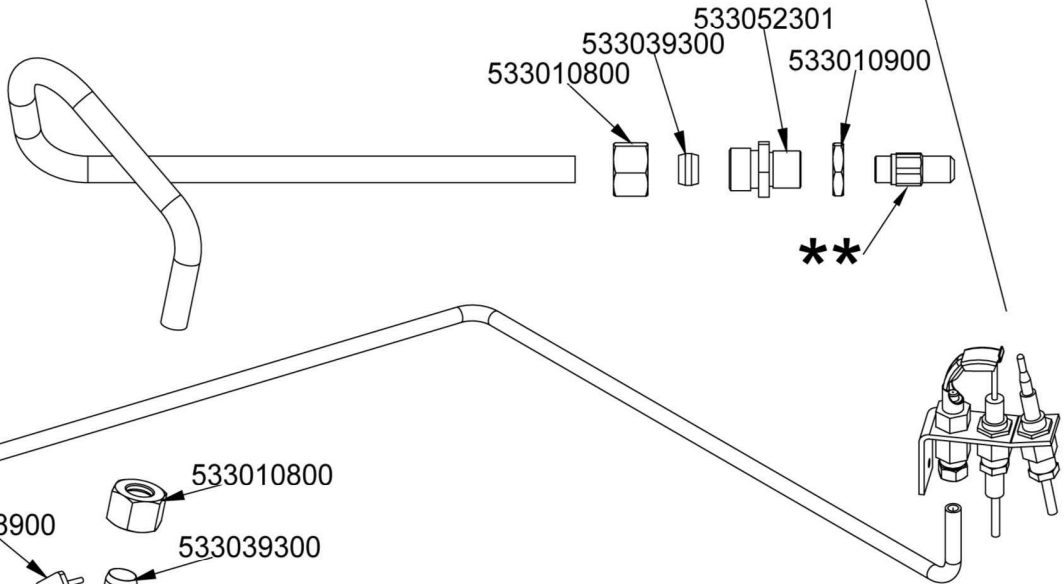
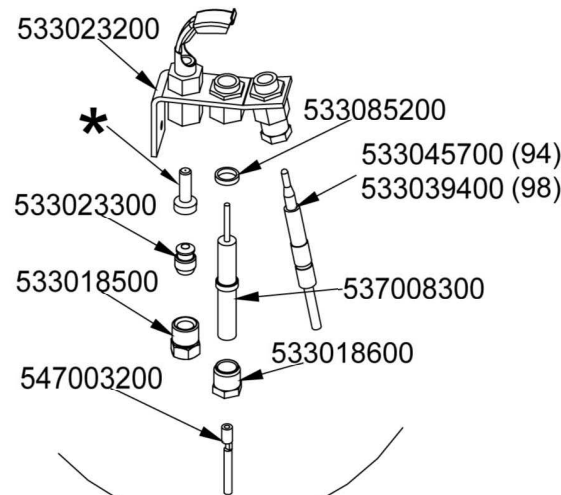


| | * | ** | ** |
|------------------------------|-----------|-----------|-----------|
| | | TP-94 | TP-98 |
| G30-28+30mbar G31- 37mbar | 533020500 | 533057700 | 533019600 |
| G30- 50mbar | 533020500 | 533057600 | 533046200 |
| G20- 20mbar G25- 25mbar | 533020600 | 533047400 | 533057500 |
| G20- DE-AT | 533020600 | 533047400 | 533057500 |
| G25- 20mbar | 533020600 | 533047300 | 533032801 |
| G25- NL | 533020600 | 533047500 | 533032001 |
| G20- 25mbar | 533020600 | 533046400 | |



| Page | Pos | Code | Description |
|------|-----|-----------|-------------------------------------|
| 001 | | 532004100 | FLUE GRID L=370 90LINE (RAF |
| 001 | | 541118100 | UPPER PLATE TP-98G TPF-98G |
| 001 | | 544446900 | LHD SIDE FOR 90T APPLIANCES |
| 001 | | 541109900 | CONTROL PANEL TP-78G |
| 001 | | 544446800 | |
| 001 | | 533010500 | LEG M10*25 D.40 |
| 002 | | 531003300 | TP-PLATE LIFTING HOOK |
| 002 | | 541132300 | PLATE TP-94G |
| 002 | | 541132200 | PLATE TP-98G (1/2 |
| 002 | | 544399100 | PLATE RING FOR TP-74G TP-94G |
| 002 | | 544426600 | PLATE RING FOR TP-98G |
| 002 | | 546015300 | SQUARE BRAID 12*12*L=1821 |
| 002 | | 546015100 | SQUARE BRAID OF INSULATING MATERIAL |
| 002 | | 531044200 | CIRCULAR BURNER TP D.066 |
| 002 | | 531033100 | BURNER TP..-78G |
| 003 | | 533023200 | TARGET PILOT + NIPPLE TC BRAC.90° |
| 003 | | 533085200 | SPACER FOR PILOT PLUG |
| 003 | | 533045700 | THERMOCOUPLE M9*1 500 |
| 003 | | 533039400 | THERMOCOUPLE M9*1*850 |
| 003 | | 533023300 | BICONE §6 ("TARGET" PILOT |
| 003 | | 537008300 | ROUND PLUG §2,4- LONG ELECTRODE |
| 003 | | 533018500 | FITTING FOR BICONE D.6 M10*1 |
| 003 | | 547003200 | HIGH-VOLTAGE CABLE TUBE.§2 L=500 |
| 003 | | 533018600 | PLUG FITTING |
| 003 | | 533010900 | NUT M14*1 H.4 |
| 003 | | 533052301 | JOINT FOR NOZZLE HOLDER |
| 003 | | 533039300 | BICONE §10 |
| 003 | | 533010800 | TUBE NUT D.10 M16*1,5 |
| 003 | | 539018900 | INDEX FOR KNOB W/RED SIGN |
| 003 | | 533039100 | BICONE §6 |
| 003 | | 539062800 | RED STICKING DISK 72 |
| 003 | | 539054200 | STAMP Ø20,5 CR."L" LOTUS R. |
| 003 | | 536034500 | KNOB §77 4P. §08*6,5 |
| 003 | | 531032100 | GAS COCK 21S P.V.BY-PASS Ø100 |
| 003 | | 531025500 | GAS COCK 21S P.V.BY-PASS Ø130 |
| 003 | | 533023600 | TAP PLUG §10 M16*1, 5CH19 |
| 003 | | 533069600 | BY PASS COCK §130 20S-21S |
| 003 | | 537002800 | PIEZOELECTRIC IGNITION M18 WITH NUT |
| 003 | | 533020500 | NOZZLE 0.140 §19 |
| 003 | | 533020600 | NOZZLE 0.140 §27 |
| 003 | | 533057700 | NOZZLE §130A CH12*30 F-BRF74 |
| 003 | | 533057600 | NOZZLE §115A CH12*30 G-BRF74 |
| 003 | | 533047400 | NOZZLE §195 CH12*30 M-BM8 |
| 003 | | 533047300 | NOZZLE §215 CH12*30 L-BM8 |
| 003 | | 533047500 | NOZZLE §205 CH12*30 ML-BM-8G |
| 003 | | 533046400 | NOZZLE §185 CH12*30 G-CPM |
| 003 | | 533019600 | NOZZLE §165 CH12*30 MH-FT5 H-FT6 |
| 003 | | 533046200 | NOZZLE §150 CH12X30 L-BR TP |
| 003 | | 533057500 | NOZZLE §260 CH12X30 |
| 003 | | 533032801 | NOZZLE §280 CH12*30 M-CPM |
| 003 | | 533032001 | NOZZLE §270 CH12*30 MH-CPM |