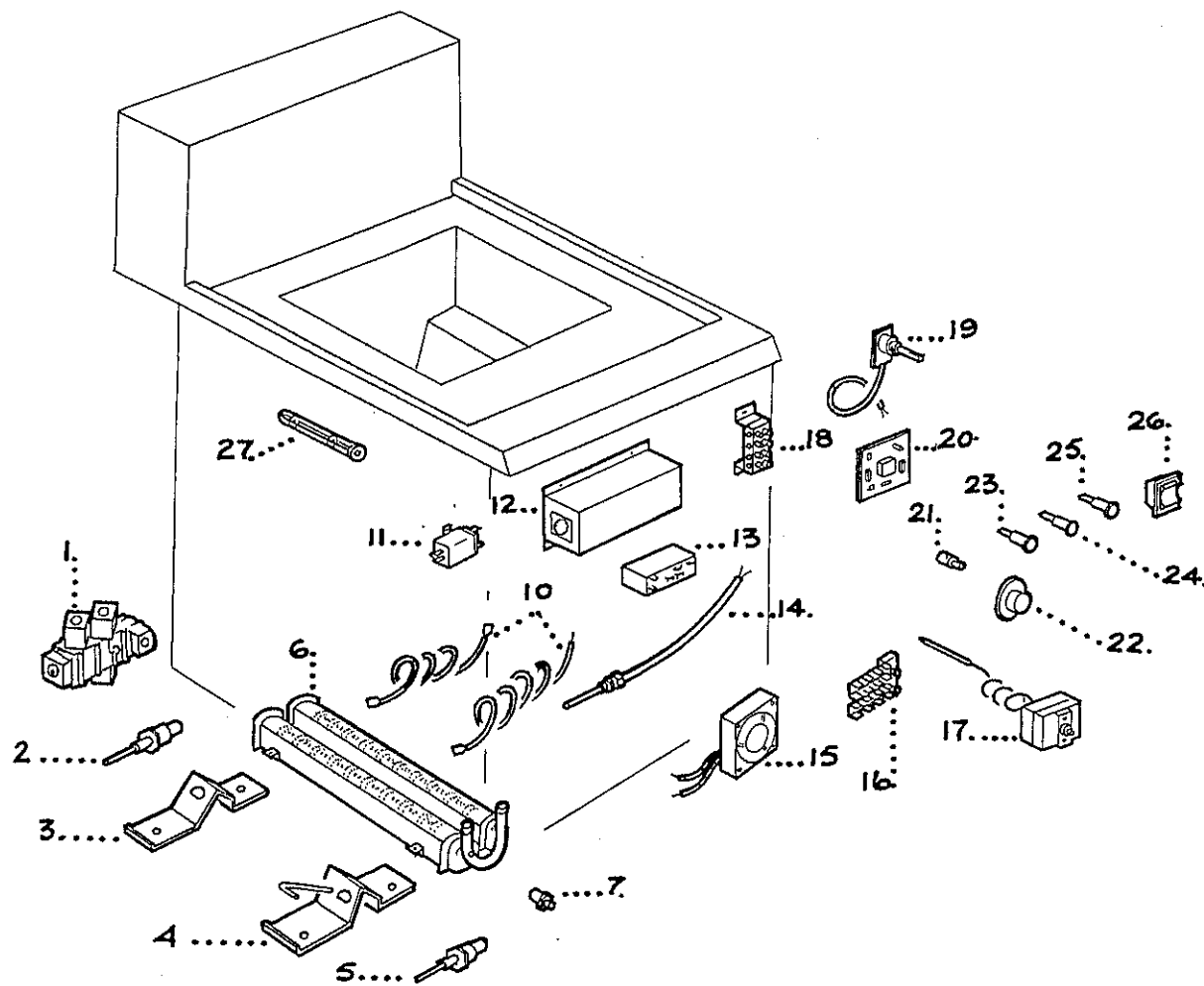


G1838 CE Fryer - Pan & Body Filments

1	534510990	Flue capper
2	534511000	Flue uptake front
3	534510050	Pan & hob assembly
4	531930120	Basket hanging rail bracket
5	534510090	Basket hanging rail
6	534510170	Pan strainer
7	531313130	False bottom
8	531303062	Dust cover c/w handle
9	531313050	Dust cover handle
10	531312010	Chip basket
11	534510680	Control panel
12	534510160	Control panel trim
13	534510120	Door assembly
14	531880190	Door handle bracket c/w gasket RH)
15	534510140	Door handle bar
16	531880180	Door handle bracket c/w gasket LH
17	534510100	Door top hinge
18	534510130	Door keeper stud
19	534510030	Door catch
20	534510060	Drain cock
21	534510070	Drain tube
22	534510110	Door bottom hinge
23	534510010	Outer side panel LH
	534510020	Outer side panel RH (not shown)
24	534510040	Outer side blanking plate
25	531880260	Leg c/w adjustable foot

## G1838 CE Fryer - Pipework and Controls



	530062500	Governor 1/2" BSP
1	534510930	Solenoid triple
2	530140220	Sensor probe
3	534510860	Sensor bracket
4	534510810	Igniter bracket
5	531930575	Igniter probe
6	534510800	Burner Assy.
7	534511010	Injector N.G.
7a	534511015	Injector L.P.
8		
9		
10	534510220	Injector/Sensor leads (set of 4)
11	534500210	Filter 2a
12	531930500	Gas control unit (Pactrol)
13	531930480	Igniter box
14	534510260	Thermocouple
15	534500190	Fan
16	531930490	Terminal block
17	534510255	Safety thermostat
18	534511020	Connector block c/w bracket
19	531690310	Control potentiometer (See note 1)
20	531690610	Operating stat P.C.B.
21	534510290	Spindle adapter
22	534500165	Control knob
23	737140020	Indicator lamp (Amber)
24	534510270	Indicator Lamp (Green)
25	737140030	Indicator lamp (Red)
26	732010360	On/Off switch (See note 3)
27	537310050	Safety stat phial board

Note 1. PAV potentiometer and PCB no longer available  
ELM components only supplied but these are not compatible  
with PAV and both parts will require to be replaced.