



**Kochgeräte
Elektro Kochkessel Serie 700**

Artikel-Nr. 136002
(418031384451)

Explosionszeichnung

SPARE PARTS CATALOGUE

Introduction:

This catalog enables to recognize our appliances' main spare parts reading the single exploded views.

How to look up in our catalogue :

Hereunder we describe the correct method to look up in our catalogue, in order to locate the desired spare part in a quicker and more precise way.

For Example: You need the component's code-number of a gasrange with burners 1/1M.

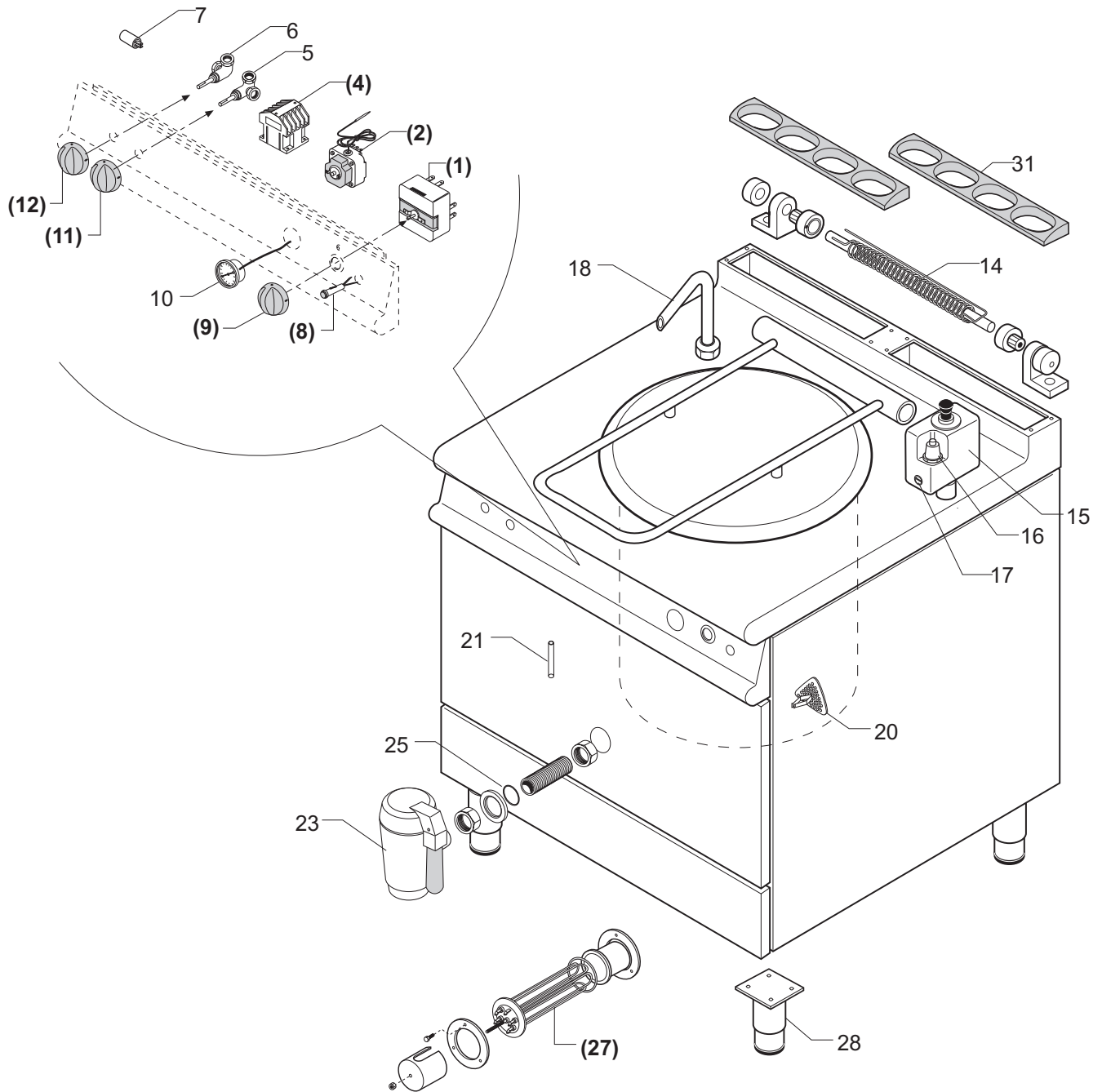
- 1) Find the appliance's model and serial number on the rating plate.
(The rating plates are positioned in the internal side of the control panel).
- 2) Search for the belonging family in the index (BCPxxx-(0B)) . (f.ex. Gasrange with burners - top 1/1M).
- 3) After you have found the corresponding table you verify if the appliance's serial number is subsequent to that one indicated in the table.
- 4) You locate the desired spare part in the drawing on the left, and find the corresponding position in the table on the right.
- 5) Hence you obtain the codenumber and the description of the spare part you need.

LEGEND:

Position on the EXPLODED VIEW			X => Recommended spare part			
Article's codenr.		Technical description	Quantity x each model		Series	
					1/2M => L=40 cm.	
					1/1M => L=80 cm.	
					1+1/2M => L=120 cm.	
Pos	Codice	Descrizione	700	1/1M		
1	822410081	Medium burner head (Dm.102)		1		
2	822410051	Medium venturi duct (Dm.102)		1		
14	826920140	Pilot burner	x	2		

ci

i



(.....) RICAMBIO CONSIGLIATO
(.....) SUGGESTED SPARE-PARTS

PENTOLA ELETTRICA (Serie 700 - 1/1M)
ELECTRIC BOILING PAN (Serie 700 - 1/1M)

Tav. Rif. BCP0070-(72)

RIF. Da matricola n°
REF. From serial n°

Rev.00 del 14/01/1999

Baron Cucine Professionali S.r.l.

RIPRODUZIONE, ANCHE PARZIALE, VIETATA

BCP0070-(71)

ELECTRIC BOILING PAN

LINE P

Pos	Code	Denomination	50 lt IND								
1	853310063	Energy regulator	x	1							
2	853310064	Thermostat	x	1							
4	853310065	Remote control switch	x	1							
5	853321733	Water inlet tap (R.H.)		1							
6	853321537	Water inlet tap (L.H.)		1							
7	853310119	Filter		1							
8	826650020	Signal lamp 230V (green)	x	1							
9	824710290	Energy regulator for knob	x	1							
10	853310148	Manometer		1							
11	824710140	Knob for cold water tap	x	1							
12	824710150	Knob for hot water tap	x	1							
14	853310073	Cover spring		1							
15	853310056	Complete safety set		1							
16	853310021	Drain valve		1							
17	853310013	Cover spring (R.H. and L.H.)		1							
18	853310001	Water supply valve		1							
20	853310060	Drain filter		1							
21	853310179	Glass level		1							
23	853310059	1 1/2" big water drain tap		1							
25	853310126	Washer for 1 1/2" big tap		1							
27	853310062	Heating element 6000W	x	1							
28	826490142	2" Foot assembly		4							

X : Suggested PARTS

PENTOLA ELETTRICA (Serie 700 - 1/1M) ELECTRIC BOILING PAN		RIF. REF.	Da matricola n° From serial n°
Baron Cucine Professionali S.r.l.		GB	BCP0070-(72)
RIPRODUZIONE ANCHE PARZIALE, VIETATA			