

DISHWASHER

ELECTROMECHANICAL SWITCHES
LOWER WASHING

TYPE: 79U

Accessories

BOOSTER PUMP

DVGW

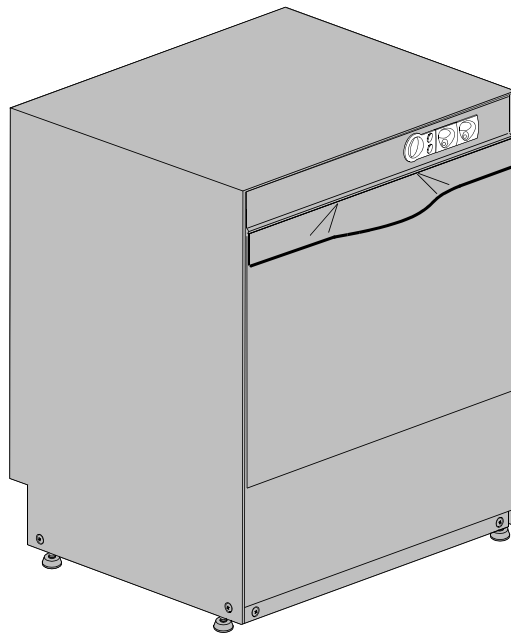
COLD RINSE

WATER SOFTNER

DETERGENT DISPENSER

DRAIN PUMP

Spare Parts Manual



INFORMAZIONI GENERALI

Questo catalogo serve per richiedere con esattezza le parti di ricambio

Nelle ordinazioni indicare:

1) il numero dei codici dei particolari seguito dalla descrizione e la quantità desiderata;

2) Il codice alfa-numerico presente nella seconda colonna della tabella ;

I disegni delle parti di ricambio sono solo indicativi e non rappresentano il pezzo in oggetto.

I dati contenuti in questo catalogo sono indicativi e possono essere soggetti a modifiche senza impegno di preavviso.

ALLGEMEINE INFORMATIONEN

Dieser Ersatzteilkatalog dient zur genauen Angabe der Teile bei Ersatzteilbestellungen.

Bei Ersatzbestellung ist folgendes anzugeben:

1) Die Bestellnummer der Ersatzteile mit der entsprechenden Beschreibung genaue Menge;

2) Der alpha-numerischer Code auf der zweiten Reihe in dein Spclud;

Die Zeichnungen der Ersatzteile sind nur als Hinweise gedacht und stellen nicht das betroffene Teil dar.

Bei den im Katalog angeführten Daten handelt es sich um Anhaltsdaten, die jederzeit, ohne Vorankündigung, geändert werden können.

GENERAL INFORMATION

The present spare parts order exactly the right spare parts

When ordering specify:

1) the part's code number followed by its description and quantity needed;

2) The alpha-numeric code is in the second column in the chart;

Spare parts drawings are general and do not represent the part.

The contents of this catalogue are general and can undergo changes without prior notice.

INFORMACIONES GENERALES

El presente catálogo sirve para pedir con exactitud las partes de repuesto

En los pedidos se debe indicar:

1) el número de código de la parte y a continuación la descripción cantidad deseada;

2) El código alfanumerico presente en la segnada columna de la tabla;

Los diseños de las partes de recambio son solo indicativos y no representan la pieza en cuestión.

Los datos contenidos en el presente catálogo son indicativos y pueden modificarse sin aviso previo.

INFORMATIONS GENERALES

Ce catalogue permet de commander correctement les pièces détachées

Les commandes doivent être passées en indiquant:

1) le numero de code des pièces détachées suivi de leur description quantité désirée;

2) le code alphanumérique dans la deuxième colonne du tableau;

Les plans des pièces détachées sont fournis seulement à titre indicatif et ne représentent pas la pièce concernée.

Les données de ce catalogue sont citées seulement à titre indicatif et peuvent être l'objet de modifications sans avis préalable.

ESEMPIO
EXAMPLE
EXEMPLE
BEISPIEL

| Rif. | Codici |
|--------------------|---------|
| MODULE:Particolari | |
| 10505 | 540903 |
| 10510 | 540908 |
| 10515 | 15065/A |
| 10520 | 540086 |
| 10525 | 540028 |

Note

Tutte le informazioni riportate si intendono aggiornate alla data di stampa. Il Produttore si riserva il diritto di apportare qualsiasi modifica richiesta dallo sviluppo evolutivo dei suddetti prodotti.

Per la sicurezza, la garanzia, l'affidabilità ed il valore della lavastoviglie usa solo ricambi originali. **Per alcuni codici, sono richieste quantità minime d'ordine.**

Attenzione

Questo libretto è parte integrante della lavastoviglie e, in caso di passaggio di proprietà, deve essere consegnato al nuovo acquirente.

Remarque

Toutes les informations contenues dans ce manuel s'entendent mises à jour à la date d'impression. En raison du développement constant de ses produits, usine se réserve le droit d'apporter à tout instant les modifications qu'elle jugera utiles.

Pour la sécurité, la garantie, la fiabilité et la valeur de votre lavevaisselles n'utilisez que des pièces de rechange d'origine. **Pour quelque référence on demande un minimum de pièces par commande**

Attention

Ce manuel doit être considéré comme partie intégrante de la lavevaisselles, en cas de transfert de propriété, doit toujours être remis au nouveau propriétaire.

Note

The information contained herein is valid at the time of going to print. The Company reserves the right to make any changes required by the future development of the above-mentioned products.

For your safety, as well as to preserve the warranty reliability and worth of your dishwashers, use original spare parts only. **For some codes a minimum quantity for order is required.**

Warning

This manual forms an integral part of the dishwashers and - if a transfer of title occurs - must always be handed over to the new owner.


Hinweis

Die Der Hersteller behält sich das Recht vor, jegliche, durch eine Weiterentwicklung der genannten Produkte bedingte Änderungen vornehmen zu können.

Verwenden Sie für Ihre Sicherheit, die Garantie, die Zuverlässigkeit und den Wert Ihrer machine originale Ersatzteile. **Für bestimmte Code nummer werden mindesten bestellungen verlangt.**

Achtung

Diese Betriebsanleitung ist Bestandteile des machine und muss bei seinem Weiterverkauf dem neuen Besitzer ausgehändigt werden.




Code 999XYYYY



Model DESCRIPTION

S/N 04012345 **Type**

CL/Part



400VAC3N 50HZ 8A
3500W 500W



16A

200-500

TECHICAL SPECIFICATION

MADE IN ITALY

Pressione Dinamica alimentazione idrica **200-500**

Pression dynamique arrivee d'eau

Dynamic pressure water supply

Dynamischer Druck asserreinlauf

Pressione dinamica vapore saturo

Pression dynamique vapeur satueeè

Dymanischer Druck gesattigter Dampf


Pression Dinamica Vapor Saturado


Temperatura massima acqua in ingresso **60°C**

Temperature max eau a l'entre

Maximale Temperatur Wasseranschlu

Maximum Water temperature in-feeding

Model 

S/N 

CODE 999 XX YYYY

FAMIGLIA PRODOTTO
 FAMILY PRODUCT
 FAMILLE DU PRODUIT
 FAMILIA PRODUCTO
 FAMILIE DES PRODUKTES

CODICE MODELLO
 CODE MODEL
 CODE ARTICLE
 CODIGO MODELO
 KODE VON MODELL

S/N 04 012345

ANNO
 YEAR
 ANNÉE
 AN^o
 JAHR

NUMERO DI SERIE
 SERIAL NUMBER
 NUMÉRO DI SÉRIE
 NUMERO DI SERIE
 SERIENNUMMER

1. Spare parts

| | |
|----------------------------------|----|
| General body parts..... | 7 |
| Lockup system | 9 |
| Control panel and switches..... | 11 |
| Electric control components..... | 13 |
| Solenoid valve group | 15 |
| Solenoid valve group | 17 |
| Booster pump..... | 19 |
| DVGW | 21 |
| Water softner group..... | 23 |
| Rinse aid dispenser group..... | 25 |
| Boiler group | 27 |
| 3 ways connection | 29 |
| 3 ways connection | 31 |
| Wash pump | 33 |
| Dosing detergent group..... | 35 |
| Drain pump group..... | 37 |

Pressure switch group with air trap ...39

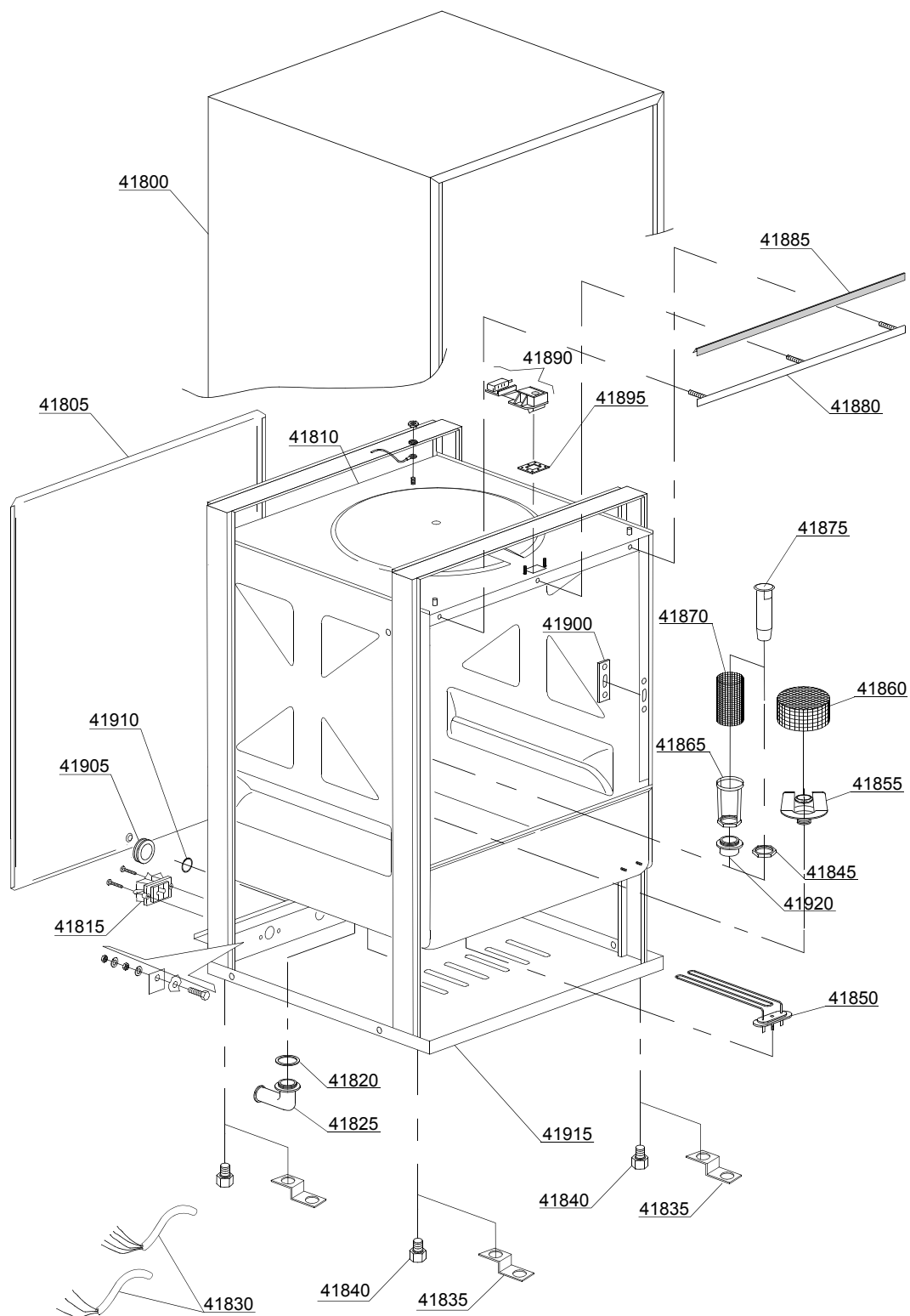
Turret group with rotating arms41

1.1 Voltage codes

| Volt | Voltage code |
|------|-------------------------|
| A | 3/N/PE~380-400V 50-60Hz |
| D | 3/PE~200-210V 50-60Hz |
| F | 2/PE~220-240V 50-60Hz |
| G | 3/N/PE~415V 50-60Hz |
| H | 3/PE~220-230V 50-60Hz |
| K | 3/PE~380-400V 50-60Hz |
| L | 3/PE~415V 50-60Hz |
| M | 3/PE~440V 60Hz |
| P | 1/N/PE~220-230V 50-60Hz |
| R | 2/PE~220-240V 50-60Hz |
| U | 1/N/PE~240V 50-60Hz |
| V | 3/PE~240V 50-60Hz |
| W | 1/N/PE~100-110V 50-60Hz |

1.2 Product codes

| Product code | Full name |
|-----------------|----------------------------|
| Model codes | |
| em | ELECTROMECHANICAL SWITCHES |
| lw | LOWER WASHING |
| Type codes | |
| 79U | 79U |
| Accessory codes | |
| bp | BOOSTER PUMP |
| dvgw | DVGW |
| cr | COLD RINSE |
| ws | WATER SOFTNER |
| dd | DETERGENT DISPENSER |
| dp | DRAIN PUMP |



01_037_e

Spare parts

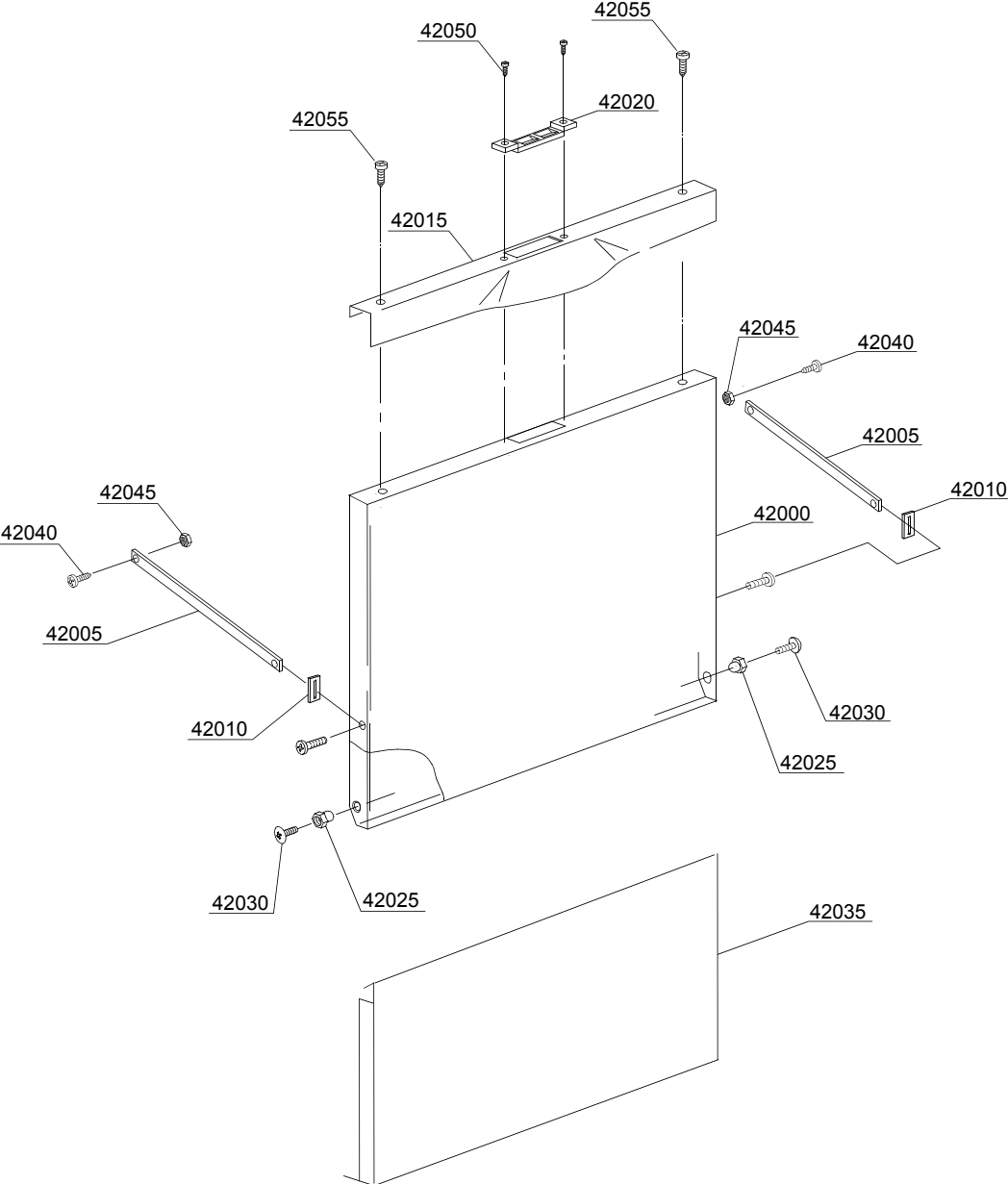
| ID | P-code | SN from | SN to | Mod. | Acces. | Volt | Description |
|----------------------------------|----------|---------|-------|------|--------|------|---|
| Module:General body parts | | | | | | | |
| 41800 | 351004 | | - | | | | Cover |
| 41805 | 351005 | | - | | | | Back panel |
| 41810 | 351000 | | - | | | | Body |
| 41810 | 351001 | | - | | ws | | Depuration Body |
| 41815 | 15065/A | | - | | | | Cable-fastener with screw |
| 41820 | 13305 | | - | | | | 44x32x3 O-ring (minimum 5 pieces) |
| 41825 | 10701 | | - | | | | Drain elbow |
| 41830 | 10713 | | - | | | | 3x2,5x2500 cable |
| 41835 | 250040 | | - | | | | Foot support |
| 41840 | 10850 | | - | | | | Foot (minimum 4 pieces) |
| 41845 | 11701/A | | - | | | | Stainless steel nut |
| 41850 | 16035/A | | - | | | | 2,18/2,37KW 230/240V 50Hz heating element |
| 41855 | 540001/A | | - | | | | Top filter body |
| 41860 | 540002 | | - | | | | Pump filter |
| 41865 | 11701/B | | - | | dp | | Stainless steel nut |
| 41870 | 440751 | | - | | dp | | Drain pump stainless steel filter |
| 41875 | 135252 | | - | | | | Overflow pipe |
| 41880 | 351013 | | - | | | | Door O-ring angular |
| 41885 | 135206 | | - | | | | Door O-ring |
| 41890 | 150402 | | - | | | | Door jack assembly |
| 41895 | 150403 | | - | | | | Door jack O-ring (minimum 5 pieces) |
| 41900 | 150401 | | - | | | | Door rod slide (minimum 4 pieces) |
| 41905 | 13317 | | - | | | | D.40mm unloading pipe pass (minimum 2 pieces) |
| 41910 | 13323 | | - | | | | D.13mm dosing pipe pass (minimum 2 pieces) |
| 41915 | 351002 | | - | | | | Stainless steell base |
| 41920 | 10701/B | | - | | dp | | Straight floor drain |

em=ELECTROMECHANICAL SWITCHES, lw=LOWER WASHING

79U=79U

bp=BOOSTER PUMP, dvgw=DVGW, cr=COLD RINSE, ws=WATER SOFTNER, dd=DETERGENT DISPENSER, dp=DRAIN PUMP

A=3/N/PE~380-400V 50-60Hz, D=3/PE~200-210V 50-60Hz, F=2/PE~220-240V 50-60Hz, G=3/N/PE~415V 50-60Hz, H=3/PE~220-230V 50-60Hz, K=3/PE~380-400V 50-60Hz, L=3/PE~415V 50-60Hz, M=3/PE~440V 60Hz, P=1/N/PE~220-230V 50-60Hz, R=2/PE~220-240V 50-60Hz, U=1/N/PE~240V 50-60Hz, V=3/PE~240V 50-60Hz, W=1/N/PE~100-110V 50-60Hz



02_126ae

Spare parts

| ID | P-code | SN from | SN to | Mod. | Acces. | Volt | Description |
|------------------------------|----------|---------|-------|------|--------|------|---------------------------------|
| Module: Lockup system | | | | | | | |
| 42000 | 351003 | | - | | | | Door |
| 42005 | 250041 | | - | | | | Left/right door rod |
| 42010 | 250042 | | - | | | | Hinge door rod |
| 42015 | 351010 | | - | | | | Stainless steel handle |
| 42020 | 150402/D | | - | | | | Door jack |
| 42025 | 371400 | | - | | | | Bush |
| 42030 | 11219 | | - | | | | M5x25 stainless steel screw |
| 42035 | 351006 | | - | | | | Lower door |
| 42040 | 11121 | | - | | | | M4x8 screw (minimum 20 pieces) |
| 42045 | 11703 | | - | | | | M4 inox Plated nut |
| 42050 | 11139 | | - | | | | M4x12 TSP Stainless steel screw |
| 42055 | 11220 | | - | | | | M4x14 screw |

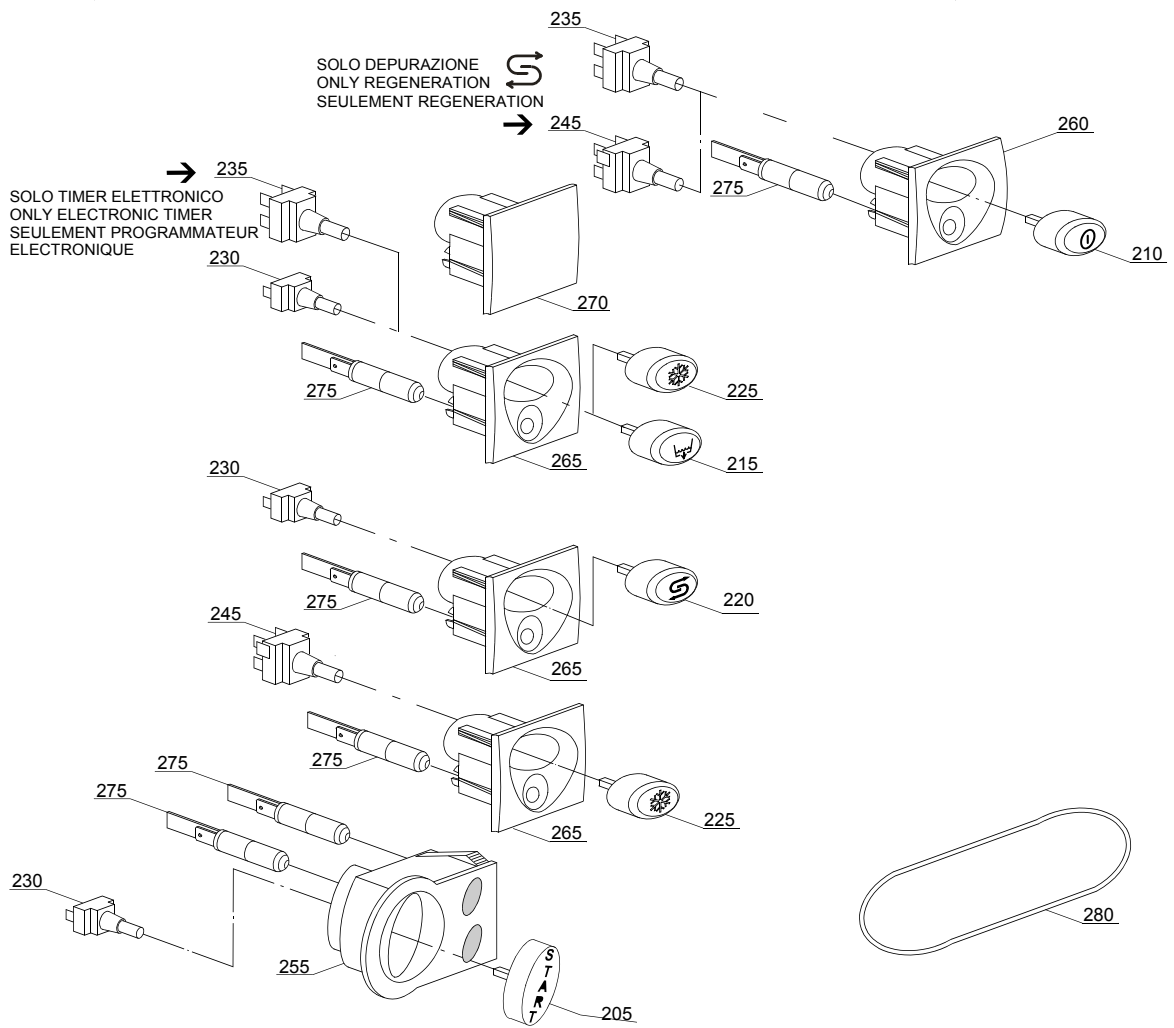
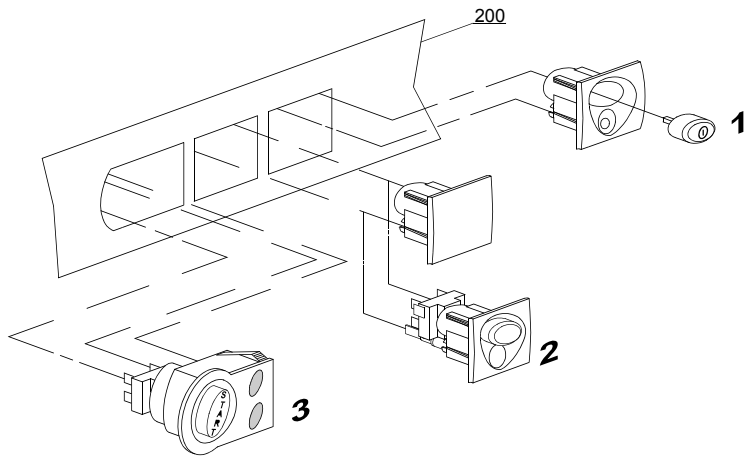
em=ELECTROMECHANICAL SWITCHES, lw=LOWER WASHING

79U=79U

bp=BOOSTER PUMP, dvgw=DVGW, cr=COLD RINSE, ws=WATER SOFTNER, dd=DETERGENT DISPENSER, dp=DRAIN PUMP

A=3/N/PE~380-400V 50-60Hz, D=3/PE~200-210V 50-60Hz, F=2/PE~220-240V 50-60Hz, G=3/N/PE~415V 50-60Hz, H=3/PE~220-230V 50-60Hz, K=3/PE~380-400V 50-60Hz, L=3/PE~415V 50-60Hz, M=3/PE~440V 60Hz, P=1/N/PE~220-230V 50-60Hz, R=2/PE~220-240V 50-60Hz, U=1/N/PE~240V 50-60Hz, V=3/PE~240V 50-60Hz, W=1/N/PE~100-110V 50-60Hz

03_009_e



Spare parts

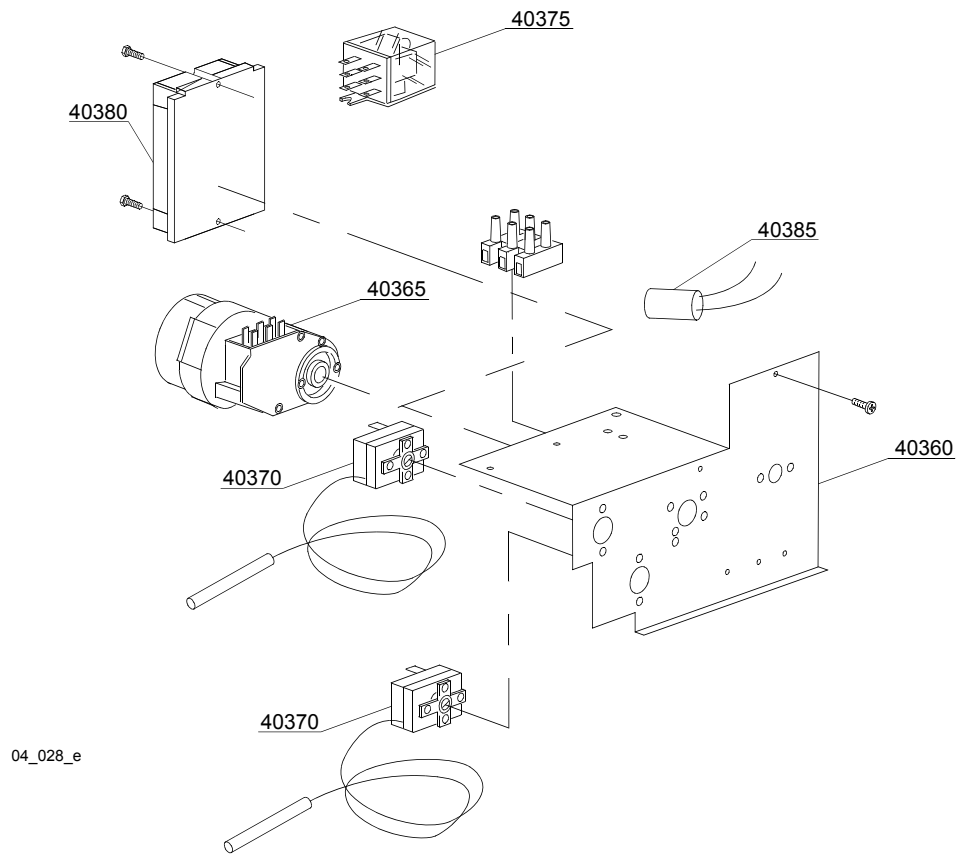
| ID | P-code | SN from | SN to | Mod. | Acces. | Volt | Description |
|--|--------|---------|-------|------|----------|------|--------------------------------------|
| Module:Control panel and switches | | | | | | | |
| 200 | 351009 | | - | em | | | Control panel |
| 205 | 89347 | | - | em | | | Start prush button |
| 210 | 89340 | | - | em | | | ON-OFF prush button |
| 215 | 89343 | | - | em | dp | | Drain pump prush button |
| 220 | 89345 | | - | em | ws | | Regeneration prush button |
| 225 | 89344 | | - | em | cr | | Hot/cold prush button |
| 230 | 15813 | | - | em | | | 16A unipolar switch |
| 234 | 15812 | | - | em | | | 16A bipolar switch |
| 235 | 15800 | | - | em | | | 16A bipolar switch |
| 245 | 15811 | | - | em | | | 16A bipolar switch |
| 255 | 89301 | | - | em | | | Start push button support |
| 260 | 89304 | | - | em | | | Push button support |
| 265 | 89302 | | - | em | dp,ws,cr | | Push button support |
| 270 | 89303 | | - | em | | | Closed support |
| 275 | 15826 | | - | em | | | Pilot light 220V |
| 280 | 89331 | | - | em | | | Ø58x1,5 OR O-ring (minimum 5 pieces) |

em=ELECTROMECHANICAL SWITCHES, lw=LOWER WASHING

79U=79U

bp=BOOSTER PUMP, dvgw=DVGW, cr=COLD RINSE, ws=WATER SOFTNER, dd=DETERGENT DISPENSER, dp=DRAIN PUMP

A=3/N/PE~380-400V 50-60Hz, D=3/PE~200-210V 50-60Hz, F=2/PE~220-240V 50-60Hz, G=3/N/PE~415V 50-60Hz, H=3/PE~220-230V 50-60Hz, K=3/PE~380-400V 50-60Hz, L=3/PE~415V 50-60Hz, M=3/PE~440V 60Hz, P=1/N/PE~220-230V 50-60Hz, R=2/PE~220-240V 50-60Hz, U=1/N/PE~240V 50-60Hz, V=3/PE~240V 50-60Hz, W=1/N/PE~100-110V 50-60Hz



Spare parts

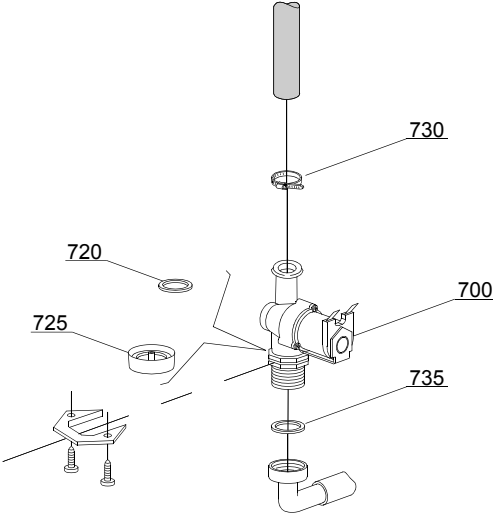
| ID | P-code | SN from | SN to | Mod. | Acces. | Volt | Description |
|---|---------|---------|-------|------|--------|------|--|
| Module:Electric control components | | | | | | | |
| 40360 | 371008 | | - | em | | | Electric component panel |
| 40365 | 10708/L | | - | em | | | 120" timer - 230Vac 50Hz |
| 40365 | 10708/T | | - | em | | | Timer 120" with thermostop - 230Vac 50Hz |
| 40365 | 10708/B | | - | em | | | 120" timer - 220Vac 60Hz |
| 40370 | 10707/1 | | - | em | | | 0-90°C thermostat |
| 40375 | 15620 | | - | em | | | 16A bipolar relay in deviation |
| 40380 | 50553 | | - | em | ws,dp | | 3 times electronic timer with regeneration |
| 40385 | 15146 | | - | em | | | Low noise filter |

em=ELECTROMECHANICAL SWITCHES, lw=LOWER WASHING

79U=79U

bp=BOOSTER PUMP, dvgw=DVGW, cr=COLD RINSE, ws=WATER SOFTNER, dd=DETERGENT DISPENSER, dp=DRAIN PUMP

A=3/N/PE~380-400V 50-60Hz, D=3/PE~200-210V 50-60Hz, F=2/PE~220-240V 50-60Hz, G=3/N/PE~415V 50-60Hz, H=3/PE~220-230V 50-60Hz, K=3/PE~380-400V 50-60Hz, L=3/PE~415V 50-60Hz, M=3/PE~440V 60Hz, P=1/N/PE~220-230V 50-60Hz, R=2/PE~220-240V 50-60Hz, U=1/N/PE~240V 50-60Hz, V=3/PE~240V 50-60Hz, W=1/N/PE~100-110V 50-60Hz



05_002_e

Spare parts

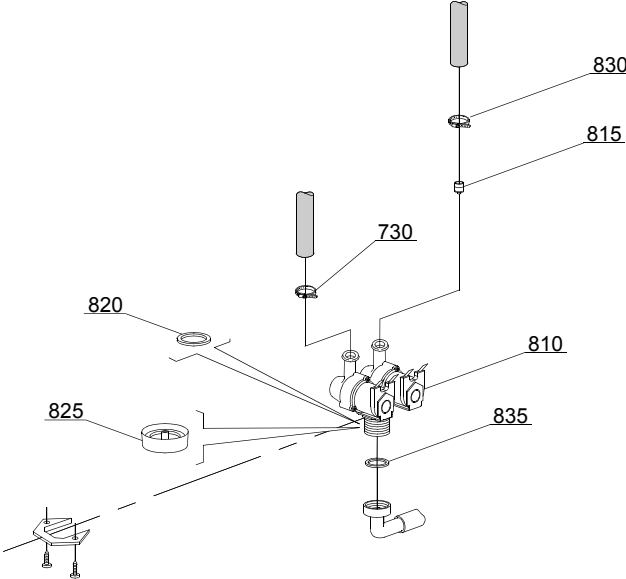
| ID | P-code | SN from | SN to | Mod. | Acces. | Volt | Description |
|------------------------------------|--------|---------|-------|------|--------|------|--|
| Module:Solenoid valve group | | | | | | | |
| 700 | 10703 | | - | em | | | Single solenoid valve - 230Vac |
| 720 | N.C. | | - | em | | | Pression reducing valve |
| 725 | 15315 | | - | em | | | Red pression reducing valve support (minimum 2 pieces) |
| 730 | 11807 | | - | em | | | 12/22 clamp (minimum 3 pieces) |
| 735 | 13307 | | - | em | | | 3/4 gasket |

em=ELECTROMECHANICAL SWITCHES, lw=LOWER WASHING

79U=79U

bp=BOOSTER PUMP, dvgw=DVGW, cr=COLD RINSE, ws=WATER SOFTNER, dd=DETERGENT DISPENSER, dp=DRAIN PUMP

A=3/N/PE~380-400V 50-60Hz, D=3/PE~200-210V 50-60Hz, F=2/PE~220-240V 50-60Hz, G=3/N/PE~415V 50-60Hz, H=3/PE~220-230V 50-60Hz, K=3/PE~380-400V 50-60Hz, L=3/PE~415V 50-60Hz, M=3/PE~440V 60Hz, P=1/N/PE~220-230V 50-60Hz, R=2/PE~220-240V 50-60Hz, U=1/N/PE~240V 50-60Hz, V=3/PE~240V 50-60Hz, W=1/N/PE~100-110V 50-60Hz



05_003_€

Spare parts

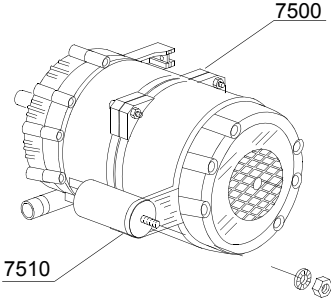
| ID | P-code | SN from | SN to | Mod. | Acces. | Volt | Description |
|------------------------------------|--------|---------|-------|------|--------|------|---|
| Module:Solenoid valve group | | | | | | | |
| 810 | 15098 | | - | em | cr,ws | | Double solenoid valve - Ø10 - 230Vac |
| 815 | 15115 | | - | em | cr,ws | | Green pression solenoid valve for regeneration (minimum 2 pieces) |
| 820 | N.C. | | - | em | cr,ws | | Pression reducing valve |
| 830 | 11807 | | - | em | | | 12/22 clamp (minimum 3 pieces) |
| 835 | 13307 | | - | em | | | 3/4 gasket |

em=ELECTROMECHANICAL SWITCHES, lw=LOWER WASHING

79U=79U

bp=BOOSTER PUMP, dvgw=DVGW, cr=COLD RINSE, ws=WATER SOFTNER, dd=DETERGENT DISPENSER, dp=DRAIN PUMP

A=3/N/PE~380-400V 50-60Hz, D=3/PE~200-210V 50-60Hz, F=2/PE~220-240V 50-60Hz, G=3/N/PE~415V 50-60Hz, H=3/PE~220-230V 50-60Hz, K=3/PE~380-400V 50-60Hz, L=3/PE~415V 50-60Hz, M=3/PE~440V 60Hz, P=1/N/PE~220-230V 50-60Hz, R=2/PE~220-240V 50-60Hz, U=1/N/PE~240V 50-60Hz, V=3/PE~240V 50-60Hz, W=1/N/PE~100-110V 50-60Hz



07_003_e

Spare parts

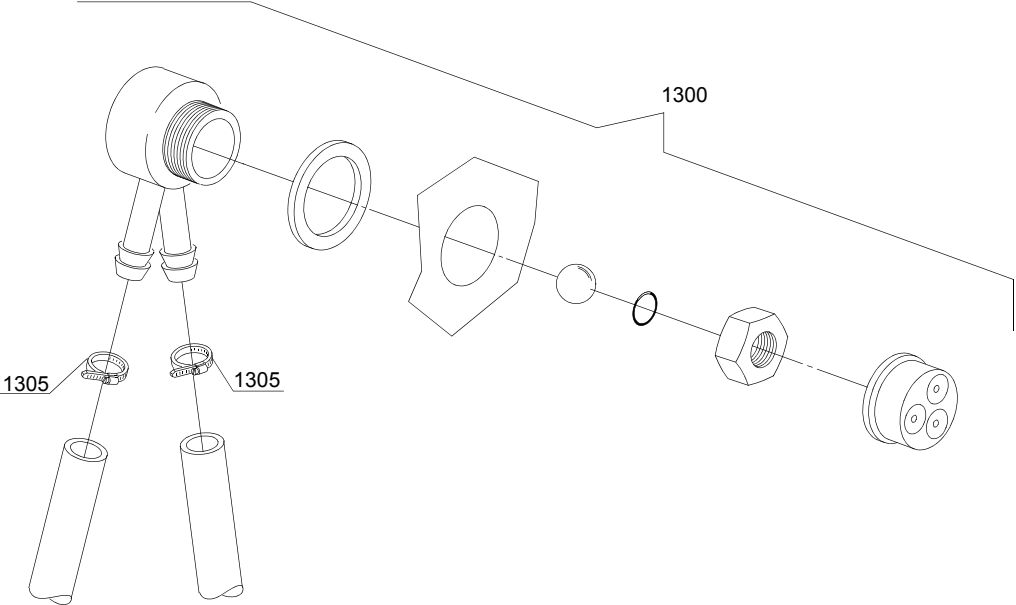
| ID | P-code | SN from | SN to | Mod. | Acces. | Volt | Description |
|----------------------------|---------|---------|-------|------|--------|------|---|
| Module:Booster pump | | | | | | | |
| 7500 | 15100/D | | - | em | bp | | Booster pump 220/240V - body pumps in plastic |
| 7505 | 12013 | | - | em | bp | | Rubber-holder |
| 7510 | 10702 | | - | em | | | 5 uF condenser - 450V |

em=ELECTROMECHANICAL SWITCHES, lw=LOWER WASHING

79U=79U

bp=BOOSTER PUMP, dvgw=DVGW, cr=COLD RINSE, ws=WATER SOFTNER, dd=DETERGENT DISPENSER, dp=DRAIN PUMP

A=3/N/PE~380-400V 50-60Hz, D=3/PE~200-210V 50-60Hz, F=2/PE~220-240V 50-60Hz, G=3/N/PE~415V 50-60Hz, H=3/PE~220-230V 50-60Hz, K=3/PE~380-400V 50-60Hz, L=3/PE~415V 50-60Hz, M=3/PE~440V 60Hz, P=1/N/PE~220-230V 50-60Hz, R=2/PE~220-240V 50-60Hz, U=1/N/PE~240V 50-60Hz, V=3/PE~240V 50-60Hz, W=1/N/PE~100-110V 50-60Hz



08_005_e

Spare parts

| ID | P-code | SN from | SN to | Mod. | Acces. | Volt | Description |
|--------------------|-----------|---------|-------|------|--------|------|--------------------------------|
| Module:DVGW | | | | | | | |
| 1300 | 999900006 | | - | | dvgw | | DVGW assembly |
| 1305 | 11807 | | - | | | | 12/22 clamp (minimum 3 pieces) |

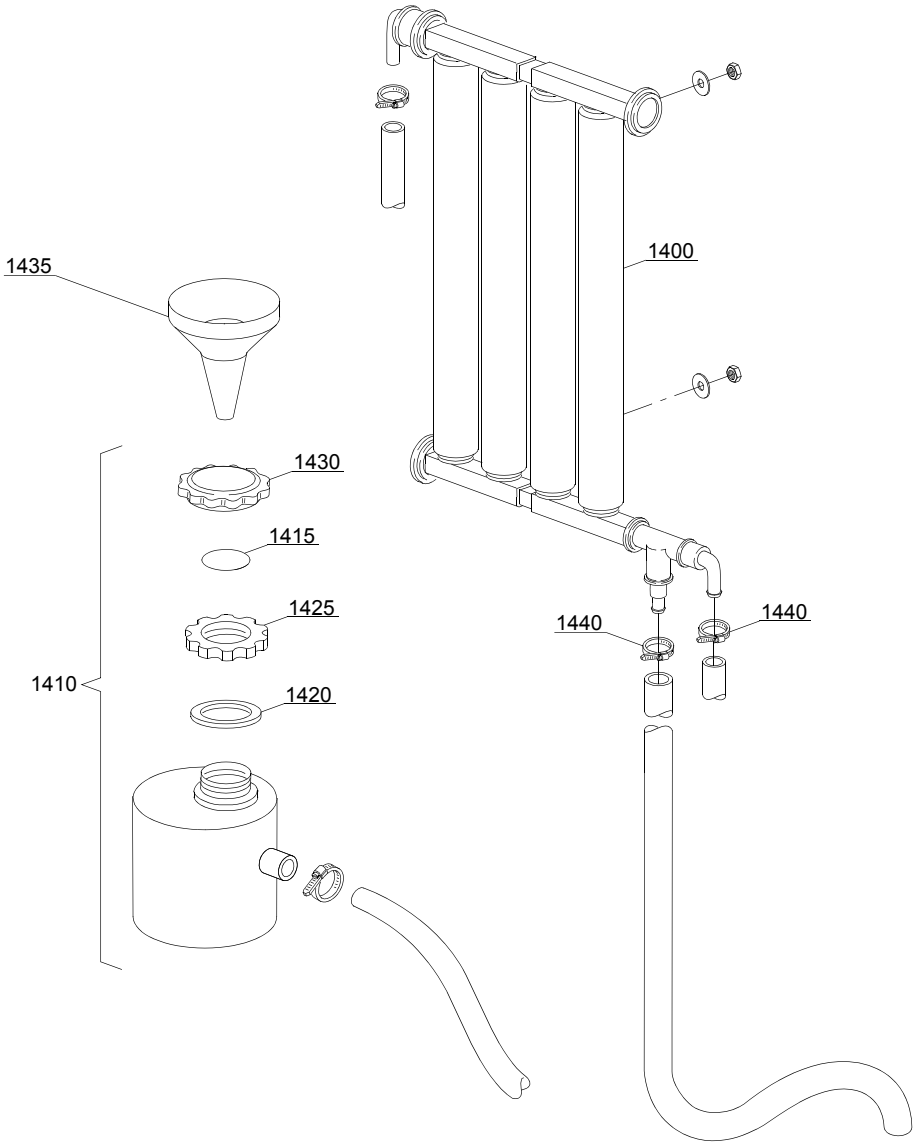
em=ELECTROMECHANICAL SWITCHES, lw=LOWER WASHING

79U=79U

bp=BOOSTER PUMP, dvgw=DVGW, cr=COLD RINSE, ws=WATER SOFTNER, dd=DETERGENT DISPENSER, dp=DRAIN PUMP

A=3/N/PE~380-400V 50-60Hz, D=3/PE~200-210V 50-60Hz, F=2/PE~220-240V 50-60Hz, G=3/N/PE~415V 50-60Hz, H=3/PE~220-230V 50-60Hz, K=3/PE~380-400V 50-60Hz, L=3/PE~415V 50-60Hz, M=3/PE~440V 60Hz, P=1/N/PE~220-230V 50-60Hz, R=2/PE~220-240V 50-60Hz, U=1/N/PE~240V 50-60Hz, V=3/PE~240V 50-60Hz, W=1/N/PE~100-110V 50-60Hz

09_001_e



Spare parts

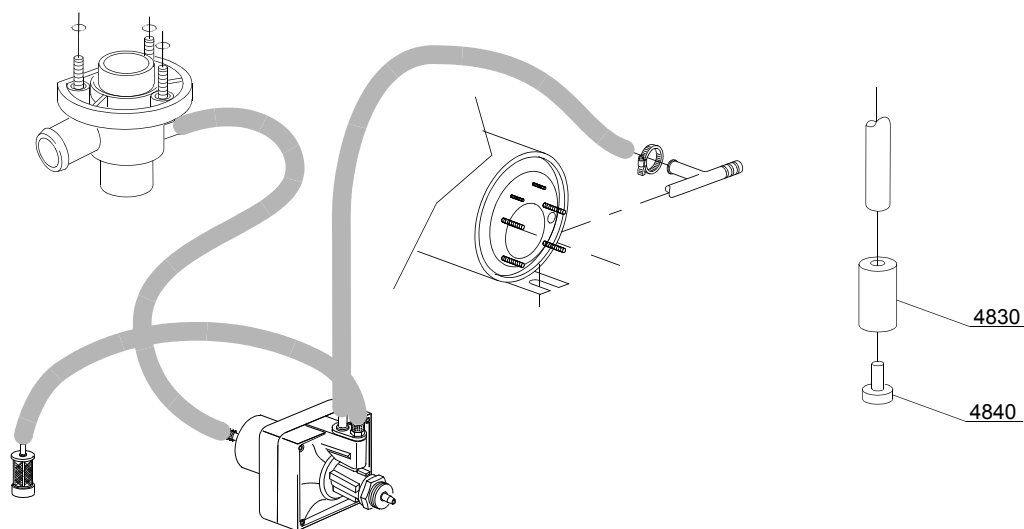
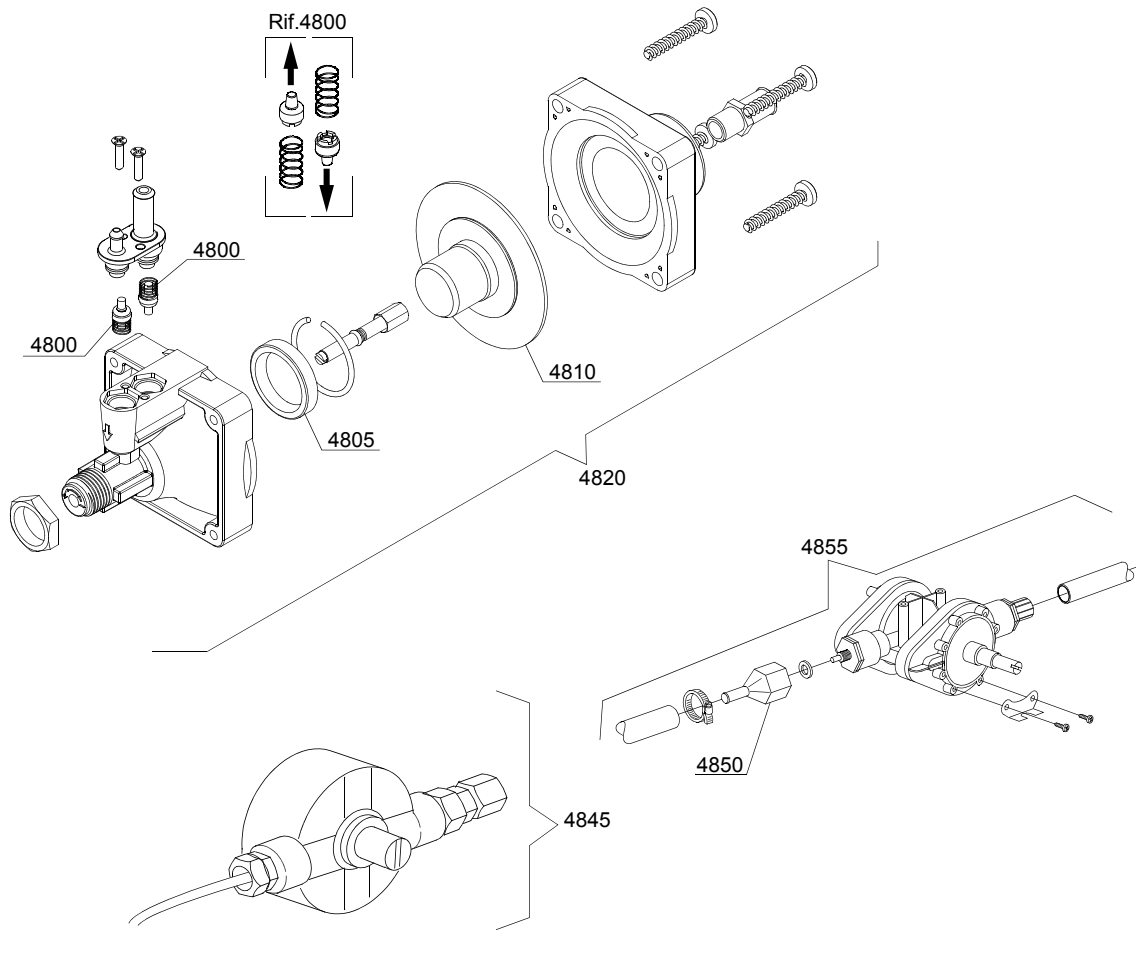
| ID | P-code | SN from | SN to | Mod. | Acces. | Volt | Description |
|------------------------------------|---------|---------|-------|------|--------|------|--------------------------------|
| Module: Water softner group | | | | | | | |
| 1400 | 16066 | | - | em | ws | | 4 elements water softner |
| 1410 | 16065 | | - | em | ws | | Salt container |
| 1415 | 16067/A | | - | em | ws | | OR O-ring |
| 1420 | 16067/B | | - | em | ws | | O-ring |
| 1425 | 16067/C | | - | em | ws | | Ring nut |
| 1430 | 16067/D | | - | em | ws | | Plug |
| 1435 | 16082 | | - | em | ws | | Funnel |
| 1440 | 11807 | | - | em | ws | | 12/22 clamp (minimum 3 pieces) |

em=ELECTROMECHANICAL SWITCHES, lw=LOWER WASHING

79U=79U

bp=BOOSTER PUMP, dvgw=DVGW, cr=COLD RINSE, ws=WATER SOFTNER, dd=DETERGENT DISPENSER, dp=DRAIN PUMP

A=3/N/PE~380-400V 50-60Hz, D=3/PE~200-210V 50-60Hz, F=2/PE~220-240V 50-60Hz, G=3/N/PE~415V 50-60Hz, H=3/PE~220-230V 50-60Hz, K=3/PE~380-400V 50-60Hz, L=3/PE~415V 50-60Hz, M=3/PE~440V 60Hz, P=1/N/PE~220-230V 50-60Hz, R=2/PE~220-240V 50-60Hz, U=1/N/PE~240V 50-60Hz, V=3/PE~240V 50-60Hz, W=1/N/PE~100-110V 50-60Hz



10_004_e

Spare parts

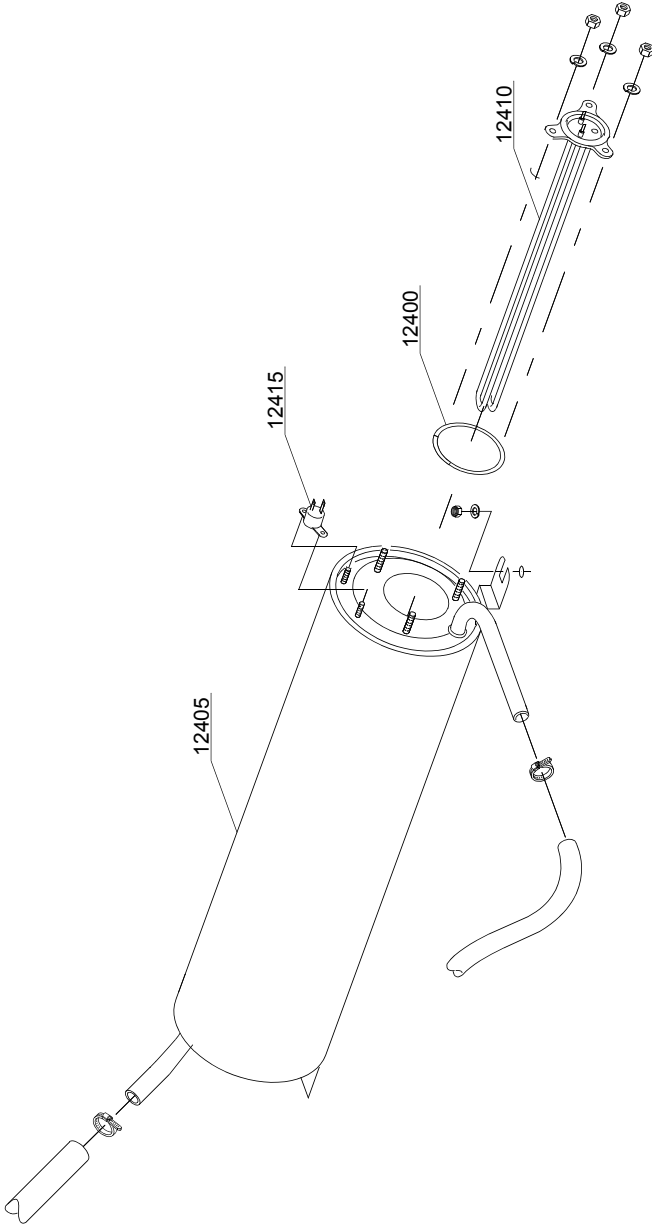
| ID | P-code | SN from | SN to | Mod. | Acces. | Volt | Description |
|--|---------|---------|-------|------|--------|------|---------------------------------|
| Module: Rinse aid dispenser group | | | | | | | |
| 4800 | 10805 | | - | em | | | Tecnopro non return valve |
| 4805 | 10806 | | - | em | | | Ø22 O-ring |
| 4810 | 10807 | | - | em | | | Membrane |
| 4820 | 10799 | | - | em | | | TECNO PRO rinse aid dispenser |
| 4830 | 12525 | | - | em | | | Ballast |
| 4840 | 15058 | | - | em | | | Small filter (minimum 3 pieces) |
| 4845 | 10799 | | - | em | | | GERMAC rinse aid dispenser |
| 4850 | 10798/B | | - | em | | | Brass pipe fitting |
| 4855 | 10798 | | - | em | | | Rinse aid dispenser |

em=ELECTROMECHANICAL SWITCHES, lw=LOWER WASHING

79U=79U

bp=BOOSTER PUMP, dvgw=DVGW, cr=COLD RINSE, ws=WATER SOFTNER, dd=DETERGENT DISPENSER, dp=DRAIN PUMP

A=3/N/PE~380-400V 50-60Hz, D=3/PE~200-210V 50-60Hz, F=2/PE~220-240V 50-60Hz, G=3/N/PE~415V 50-60Hz, H=3/PE~220-230V 50-60Hz, K=3/PE~380-400V 50-60Hz, L=3/PE~415V 50-60Hz, M=3/PE~440V 60Hz, P=1/N/PE~220-230V 50-60Hz, R=2/PE~220-240V 50-60Hz, U=1/N/PE~240V 50-60Hz, V=3/PE~240V 50-60Hz, W=1/N/PE~100-110V 50-60Hz



11_007_e

Spare parts

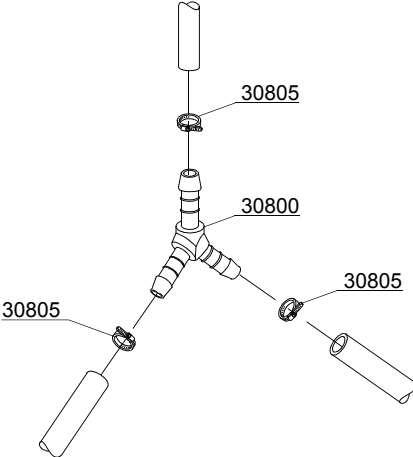
| ID | P-code | SN from | SN to | Mod. | Acces. | Volt | Description |
|----------------------------|---------|---------|-------|------|--------|------|-------------------------------------|
| Module:Boiler group | | | | | | | |
| 12400 | 13010 | | - | em | | | OR O-ring (minimum 5 pieces) |
| 12405 | 135905 | | - | em | | | Boiler |
| 12410 | 18206 | | - | em | | | 2,4/2,61KW 230/240V heating element |
| 12410 | 18206/D | | - | em | | | 2,8/3,05KW 230/240V heating element |
| 12415 | 15550 | | - | em | | | Safety thermostat |

em=ELECTROMECHANICAL SWITCHES, lw=LOWER WASHING

79U=79U

bp=BOOSTER PUMP, dvgw=DVGW, cr=COLD RINSE, ws=WATER SOFTNER, dd=DETERGENT DISPENSER, dp=DRAIN PUMP

A=3/N/PE~380-400V 50-60Hz, D=3/PE~200-210V 50-60Hz, F=2/PE~220-240V 50-60Hz, G=3/N/PE~415V 50-60Hz, H=3/PE~220-230V 50-60Hz, K=3/PE~380-400V 50-60Hz, L=3/PE~415V 50-60Hz, M=3/PE~440V 60Hz, P=1/N/PE~220-230V 50-60Hz, R=2/PE~220-240V 50-60Hz, U=1/N/PE~240V 50-60Hz, V=3/PE~240V 50-60Hz, W=1/N/PE~100-110V 50-60Hz



12_003ae

Spare parts

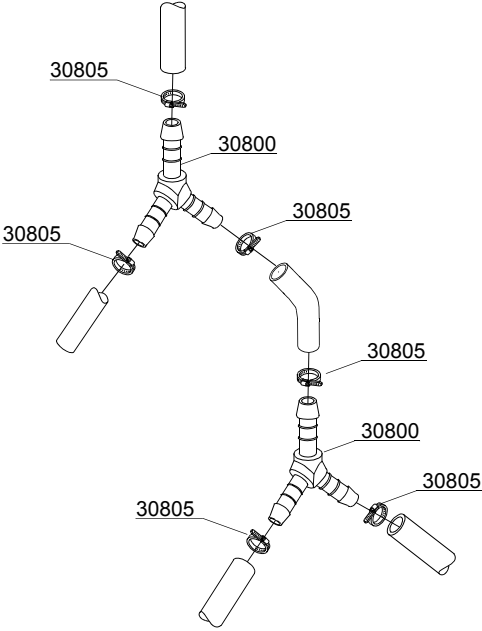
| ID | P-code | SN from | SN to | Mod. | Acces. | Volt | Description |
|---------------------------------|--------|---------|-------|------|--------|------|----------------------------------|
| Module:3 ways connection | | | | | | | |
| 30800 | 540090 | | - | em | | | Ø10 mm plastic 3 ways connection |
| 30805 | 11807 | | - | em | | | 12/22 clamp (minimum 3 pieces) |

em=ELECTROMECHANICAL SWITCHES, lw=LOWER WASHING

79U=79U

bp=BOOSTER PUMP, dvgw=DVGW, cr=COLD RINSE, ws=WATER SOFTNER, dd=DETERGENT DISPENSER, dp=DRAIN PUMP

A=3/N/PE~380-400V 50-60Hz, D=3/PE~200-210V 50-60Hz, F=2/PE~220-240V 50-60Hz, G=3/N/PE~415V 50-60Hz, H=3/PE~220-230V 50-60Hz, K=3/PE~380-400V 50-60Hz, L=3/PE~415V 50-60Hz, M=3/PE~440V 60Hz, P=1/N/PE~220-230V 50-60Hz, R=2/PE~220-240V 50-60Hz, U=1/N/PE~240V 50-60Hz, V=3/PE~240V 50-60Hz, W=1/N/PE~100-110V 50-60Hz



12_010_e

Spare parts

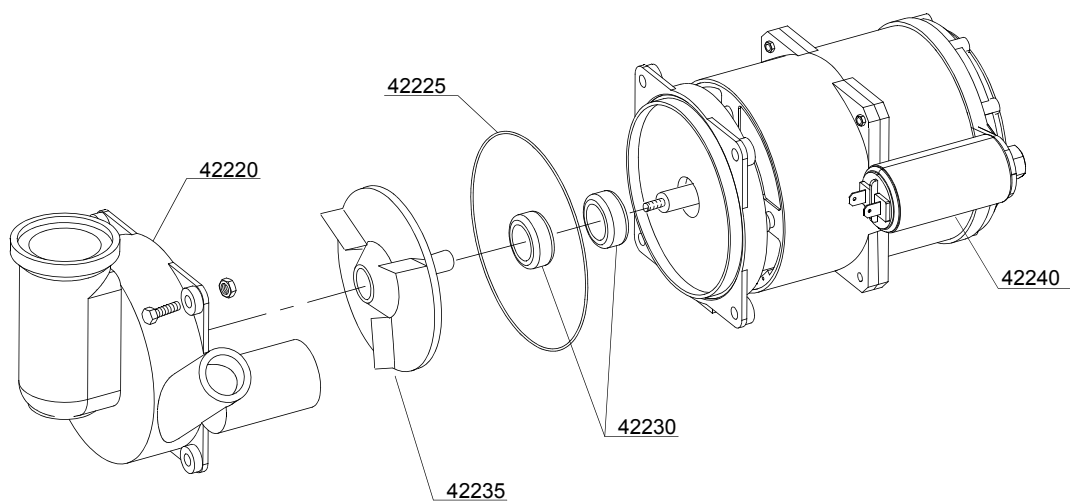
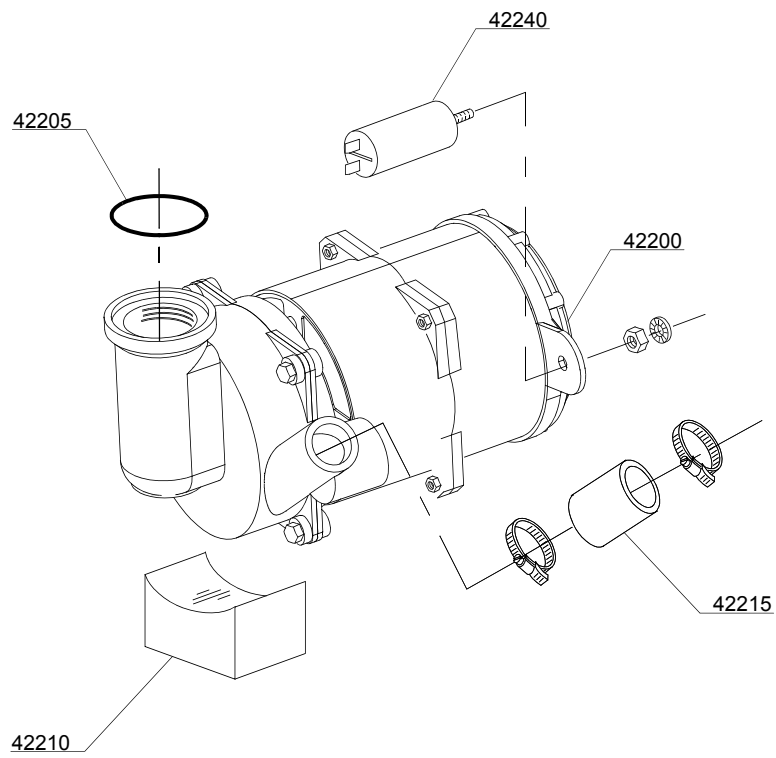
| ID | P-code | SN from | SN to | Mod. | Acces. | Volt | Description |
|---------------------------------|--------|---------|-------|------|--------|------|----------------------------------|
| Module:3 ways connection | | | | | | | |
| 30800 | 540090 | | - | em | cr | | Ø10 mm plastic 3 ways connection |
| 30805 | 11807 | | - | em | cr | | 12/22 clamp (minimum 3 pieces) |

em=ELECTROMECHANICAL SWITCHES, lw=LOWER WASHING

79U=79U

bp=BOOSTER PUMP, dvgw=DVGW, cr=COLD RINSE, ws=WATER SOFTNER, dd=DETERGENT DISPENSER, dp=DRAIN PUMP

A=3/N/PE~380-400V 50-60Hz, D=3/PE~200-210V 50-60Hz, F=2/PE~220-240V 50-60Hz, G=3/N/PE~415V 50-60Hz, H=3/PE~220-230V 50-60Hz, K=3/PE~380-400V 50-60Hz, L=3/PE~415V 50-60Hz, M=3/PE~440V 60Hz, P=1/N/PE~220-230V 50-60Hz, R=2/PE~220-240V 50-60Hz, U=1/N/PE~240V 50-60Hz, V=3/PE~240V 50-60Hz, W=1/N/PE~100-110V 50-60Hz



13_124_e

Spare parts

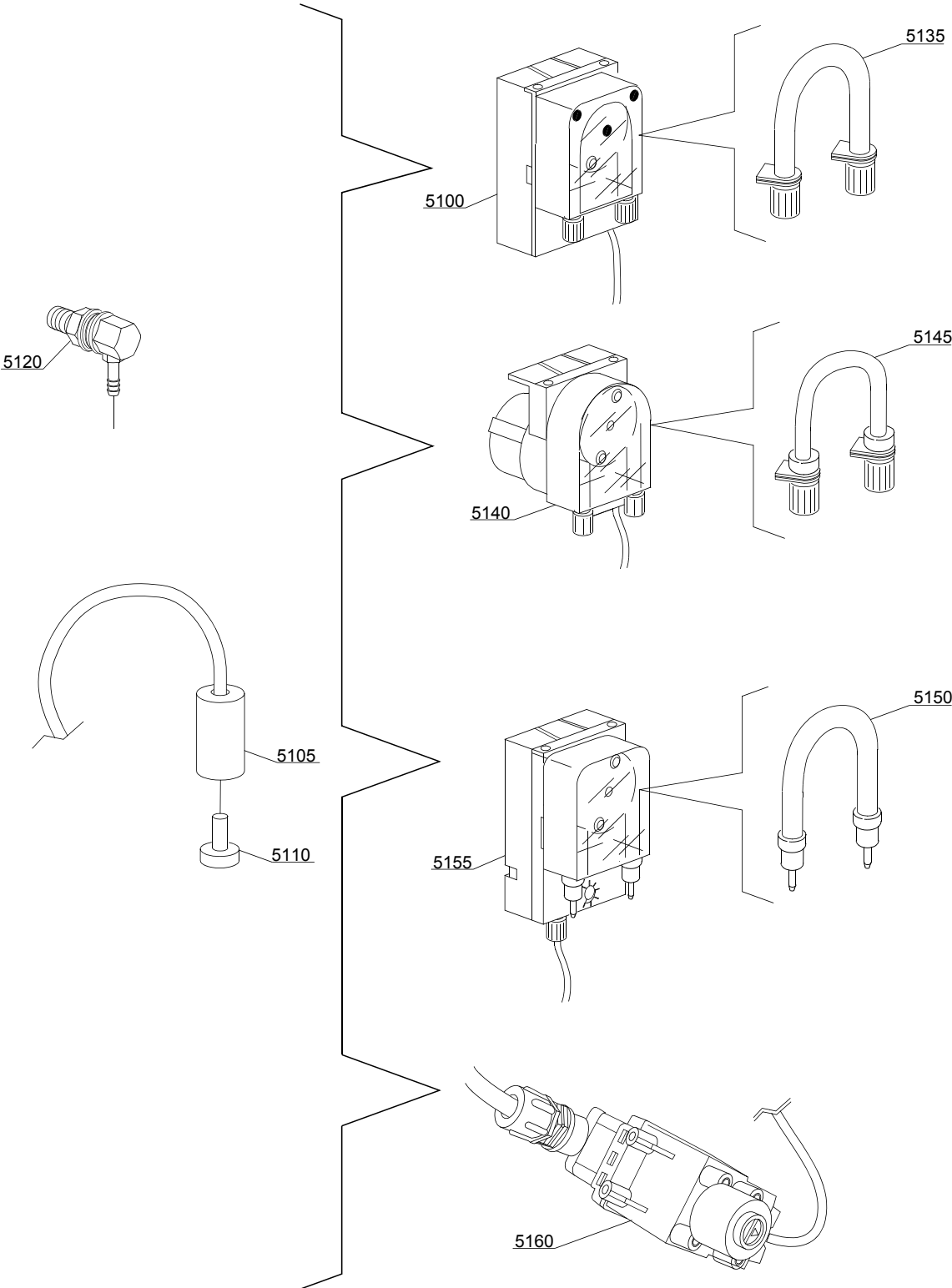
| ID | P-code | SN from | SN to | Mod. | Acces. | Volt | Description |
|--------------------------|----------|---------|-------|------|--------|------|--|
| Module: Wash pump | | | | | | | |
| 42200 | 351400 | | - | lw | | A | 180W wash pump 04vers. - 230V 50Hz |
| 42205 | 13019 | | - | lw | | | O-ring 4137 OR-140 (minimum 10 pieces) |
| 42210 | 351401 | | - | lw | | | Pump support |
| 42215 | 371403 | | - | lw | | | Pump pipe coupling |
| 42220 | 371402/A | | - | lw | | | Scroll |
| 42225 | 18245 | | - | lw | | | O-ring |
| 42230 | 15080 | | - | lw | | | Rotating seals |
| 42235 | 10504 | | - | lw | | | Pump rotor - d.63 |
| 42240 | 10702 | | - | lw | | | 5 uF condenser - 450V |

em=ELECTROMECHANICAL SWITCHES, lw=LOWER WASHING

79U=79U

bp=BOOSTER PUMP, dvgw=DVGW, cr=COLD RINSE, ws=WATER SOFTNER, dd=DETERGENT DISPENSER, dp=DRAIN PUMP

A=3/N/PE~380-400V 50-60Hz, D=3/PE~200-210V 50-60Hz, F=2/PE~220-240V 50-60Hz, G=3/N/PE~415V 50-60Hz, H=3/PE~220-230V 50-60Hz, K=3/PE~380-400V 50-60Hz, L=3/PE~415V 50-60Hz, M=3/PE~440V 60Hz, P=1/N/PE~220-230V 50-60Hz, R=2/PE~220-240V 50-60Hz, U=1/N/PE~240V 50-60Hz, V=3/PE~240V 50-60Hz, W=1/N/PE~100-110V 50-60Hz



14_004_e

Spare parts

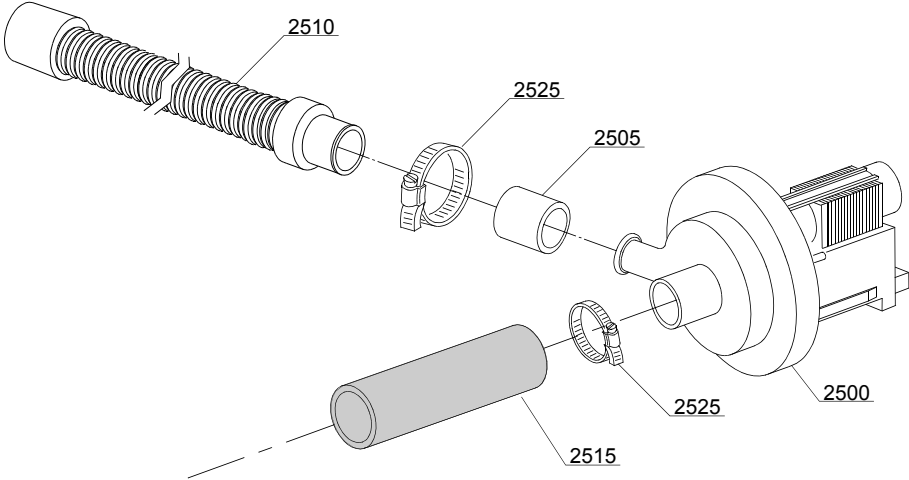
| ID | P-code | SN from | SN to | Mod. | Acces. | Volt | Description |
|--------------------------------------|----------|---------|-------|------|--------|------|--|
| Module:Dosing detergent group | | | | | | | |
| 5100 | 15985 | | - | em | dd | | Seko detergent pump |
| 5105 | 12525 | | - | em | dd | | Ballast |
| 5110 | 15058 | | - | em | dd | | Small filter (minimum 3 pieces) |
| 5120 | 15148 | | - | em | dd | | Steel injector |
| 5125 | 15159 | | - | em | dd | | OR O-ring (minimum 2 pieces) |
| 5130 | 10200205 | | - | em | dd | | M12x1 stainless steel nut (minimum 2 pieces) |
| 5135 | 15185 | | - | em | dd | | Seko thermoplastic pipe |
| 5140 | 15985 | | - | em | dd | | Germac detergent pump |
| 5145 | 15108/E | | - | em | dd | | Germac thermoplastic pipe |
| 5150 | 15985/A | | | em | dd | | Plas Cont thermoplastic pipe |
| 5155 | 15985 | | | em | dd | | Plas Cont detergent pump |
| 5160 | 15108/L | | | em | dd | | Lang detergent pump |

em=ELECTROMECHANICAL SWITCHES, lw=LOWER WASHING

79U=79U

bp=BOOSTER PUMP, dvgw=DVGW, cr=COLD RINSE, ws=WATER SOFTNER, dd=DETERGENT DISPENSER, dp=DRAIN PUMP

A=3/N/PE~380-400V 50-60Hz, D=3/PE~200-210V 50-60Hz, F=2/PE~220-240V 50-60Hz, G=3/N/PE~415V 50-60Hz, H=3/PE~220-230V 50-60Hz, K=3/PE~380-400V 50-60Hz, L=3/PE~415V 50-60Hz, M=3/PE~440V 60Hz, P=1/N/PE~220-230V 50-60Hz, R=2/PE~220-240V 50-60Hz, U=1/N/PE~240V 50-60Hz, V=3/PE~240V 50-60Hz, W=1/N/PE~100-110V 50-60Hz



15_004ce

Spare parts

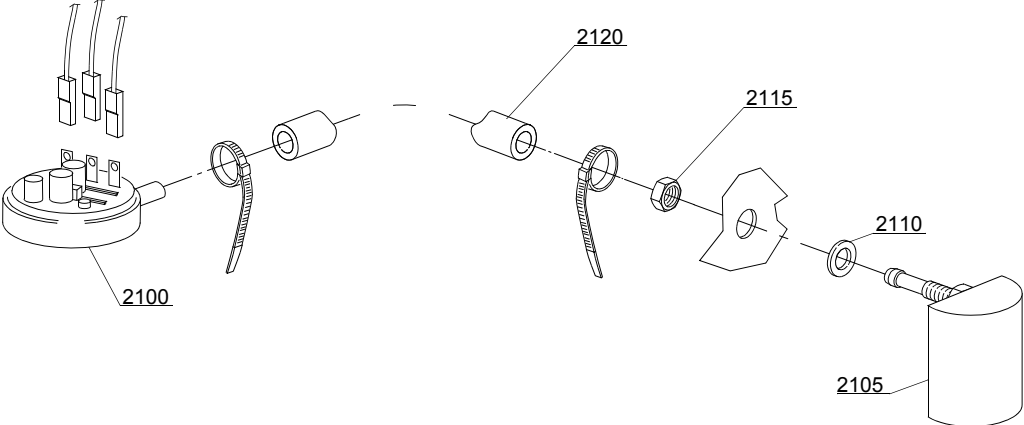
| ID | P-code | SN from | SN to | Mod. | Acces. | Volt | Description |
|---------------------------------|---------|---------|-------|------|--------|------|----------------------------------|
| Module: Drain pump group | | | | | | | |
| 2500 | 15101 | | - | em | dp | | Drain pump 220/240V 50Hz |
| 2505 | 15101/D | | - | em | dp | | Pipe fitting (minimum 3 pieces) |
| 2510 | 10727 | | - | em | dp | | Drain pipe |
| 2515 | 18787 | | - | em | dp | | Drain coude/pump connection pipe |
| 2525 | 11806 | | - | em | dp | | 25/40 clamp (minimum 2 pieces) |

em=ELECTROMECHANICAL SWITCHES, lw=LOWER WASHING

79U=79U

bp=BOOSTER PUMP, dvgw=DVGW, cr=COLD RINSE, ws=WATER SOFTNER, dd=DETERGENT DISPENSER, dp=DRAIN PUMP

A=3/N/PE~380-400V 50-60Hz, D=3/PE~200-210V 50-60Hz, F=2/PE~220-240V 50-60Hz, G=3/N/PE~415V 50-60Hz, H=3/PE~220-230V 50-60Hz, K=3/PE~380-400V 50-60Hz, L=3/PE~415V 50-60Hz, M=3/PE~440V 60Hz, P=1/N/PE~220-230V 50-60Hz, R=2/PE~220-240V 50-60Hz, U=1/N/PE~240V 50-60Hz, V=3/PE~240V 50-60Hz, W=1/N/PE~100-110V 50-60Hz



16_001_e

Spare parts

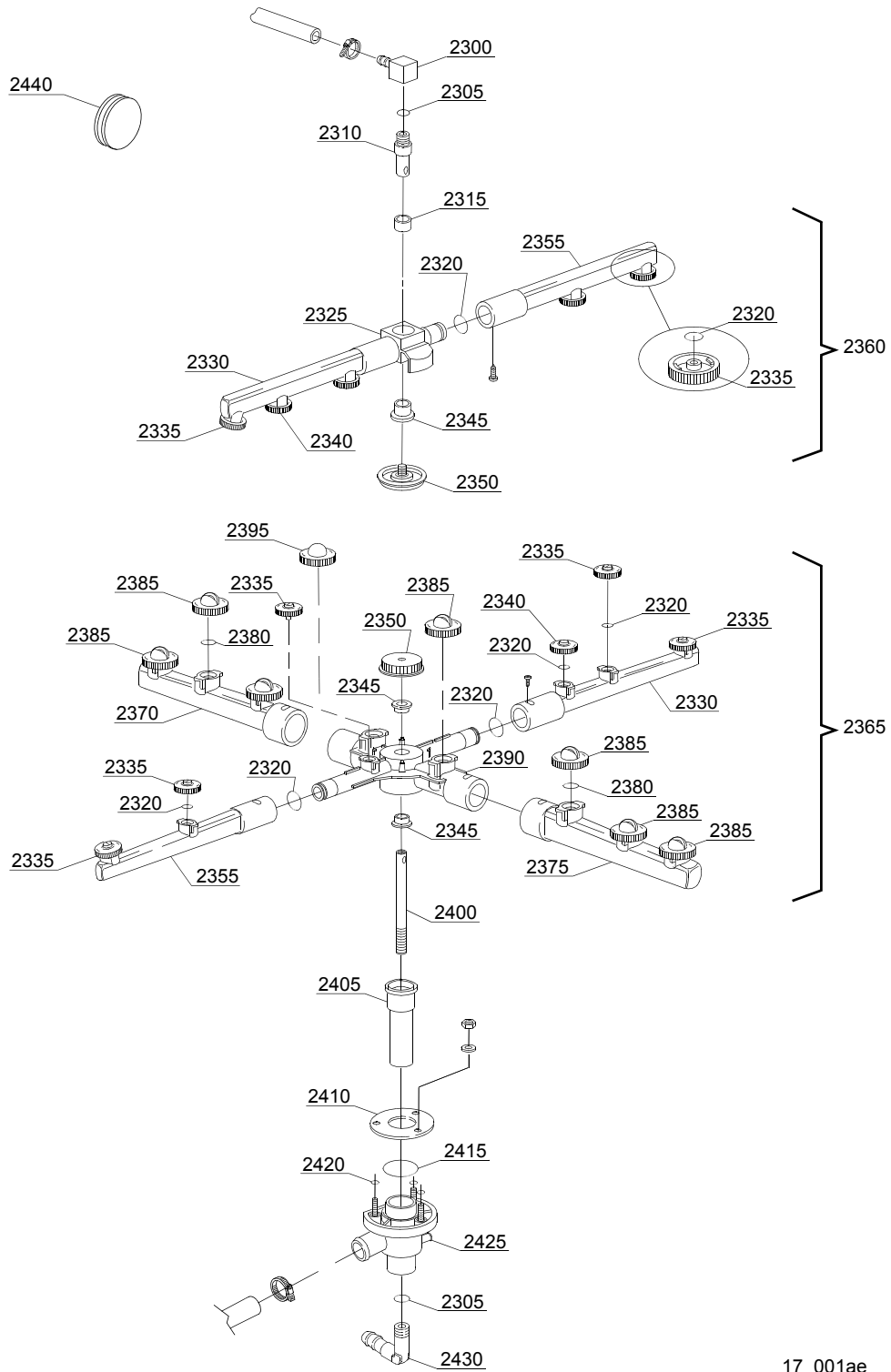
| ID | P-code | SN from | SN to | Mod. | Acces. | Volt | Description |
|---|----------|---------|-------|------|--------|------|--|
| Module:Pressure switch group with air trap | | | | | | | |
| 2100 | 10706/A | | - | em | | | 47-27 pressure switch |
| 2105 | 135911/D | | - | em | | | Grey air trap assembly |
| 2110 | 13301 | | - | em | | | O-ring (minimum 10 pieces) - D14x8x1,5 |
| 2115 | 11702 | | - | em | | | M8 stainless steel nut (minimum 10 pieces) |
| 2120 | 14508 | | - | em | | | 4,5X9 EPDM rubber hose (minimum 2mt) |

em=ELECTROMECHANICAL SWITCHES, lw=LOWER WASHING

79U=79U

bp=BOOSTER PUMP, dvgw=DVGW, cr=COLD RINSE, ws=WATER SOFTNER, dd=DETERGENT DISPENSER, dp=DRAIN PUMP

A=3/N/PE~380-400V 50-60Hz, D=3/PE~200-210V 50-60Hz, F=2/PE~220-240V 50-60Hz, G=3/N/PE~415V 50-60Hz, H=3/PE~220-230V 50-60Hz, K=3/PE~380-400V 50-60Hz, L=3/PE~415V 50-60Hz, M=3/PE~440V 60Hz, P=1/N/PE~220-230V 50-60Hz, R=2/PE~220-240V 50-60Hz, U=1/N/PE~240V 50-60Hz, V=3/PE~240V 50-60Hz, W=1/N/PE~100-110V 50-60Hz



17_001ae

Spare parts

| ID | P-code | SN from | SN to | Mod. | Acces. | Volt | Description |
|---|---------|---------|-------|------|--------|------|--|
| Module:Turret group with rotating arms | | | | | | | |
| 2300 | 350402 | | - | lw | | | Top turret rinse hub |
| 2305 | 13003 | | - | lw | | | OR 112 NBR O-ring (minimum 10 pieces) |
| 2310 | 350401 | | - | lw | | | Upper axle rinse hub |
| 2315 | 13320 | | - | lw | | | Sliding washer (minimum 3 pieces) |
| 2320 | 13002 | | - | lw | | | OR R6 NBR O-ring (minimum 10 pieces) |
| 2325 | 10373 | | - | lw | | | Top hub for rotor |
| 2330 | 10375 | | - | lw | | | Left rinse pipe |
| 2335 | 10371 | | - | lw | | | Opened rinse nozzle (minimum 5 pieces) |
| 2340 | 10372 | | - | lw | | | Closed rinse nozzle (minimum 2 pieces) |
| 2345 | 13319 | | - | lw | | | Sliding washer (minimum 2 pieces) |
| 2350 | 10377 | | - | lw | | | Handle with insert |
| 2355 | 10374 | | - | lw | | | Right rinse pipe |
| 2360 | 10997 | | - | lw | | | Top rinse group |
| 2365 | 10999 | | - | lw | | | Wash/rinse group |
| 2370 | 10367 | | - | lw | | | Right wash pipe |
| 2375 | 10368 | | - | lw | | | Left wash pipe |
| 2380 | 13009 | | - | lw | | | OR 2050 NBR O-ring (minimum 40 pieces) |
| 2385 | 10369 | | - | lw | | | Opened rinse nozzle (minimum 2 pieces) |
| 2390 | 10376 | | - | lw | | | Wash rotor |
| 2395 | 10370 | | - | lw | | | Closed wash nozzle (minimum 2 pieces) |
| 2400 | 19003 | | - | lw | | | 10x1x190 lower stainless steel ground axle |
| 2405 | 19250 | | - | lw | | | Bell-shape assembly with pipe coupling |
| 2410 | 16038 | | - | lw | | | Ø60 stainless steel disk |
| 2415 | 13000 | | - | lw | | | OR 3125 NBR O-ring (minimum 5 pieces) |
| 2420 | 13001 | | - | lw | | | OR 104 NBR O-ring (minimum 10 pieces) |
| 2425 | 10205/B | | - | lw | | | Lower grey wash turret |
| 2430 | 12030 | | - | lw | | | 3/8M Ø12 elbow pipe fitting |
| 2440 | 13316/A | | - | lw | | | DVGW hole O-ring |

em=ELECTROMECHANICAL SWITCHES, lw=LOWER WASHING

79U=79U

bp=BOOSTER PUMP, dvgw=DVGW, cr=COLD RINSE, ws=WATER SOFTNER, dd=DETERGENT DISPENSER, dp=DRAIN PUMP

A=3/N/PE~380-400V 50-60Hz, D=3/PE~200-210V 50-60Hz, F=2/PE~220-240V 50-60Hz, G=3/N/PE~415V 50-60Hz, H=3/PE~220-230V 50-60Hz, K=3/PE~380-400V 50-60Hz, L=3/PE~415V 50-60Hz, M=3/PE~440V 60Hz, P=1/N/PE~220-230V 50-60Hz, R=2/PE~220-240V 50-60Hz, U=1/N/PE~240V 50-60Hz, V=3/PE~240V 50-60Hz, W=1/N/PE~100-110V 50-60Hz