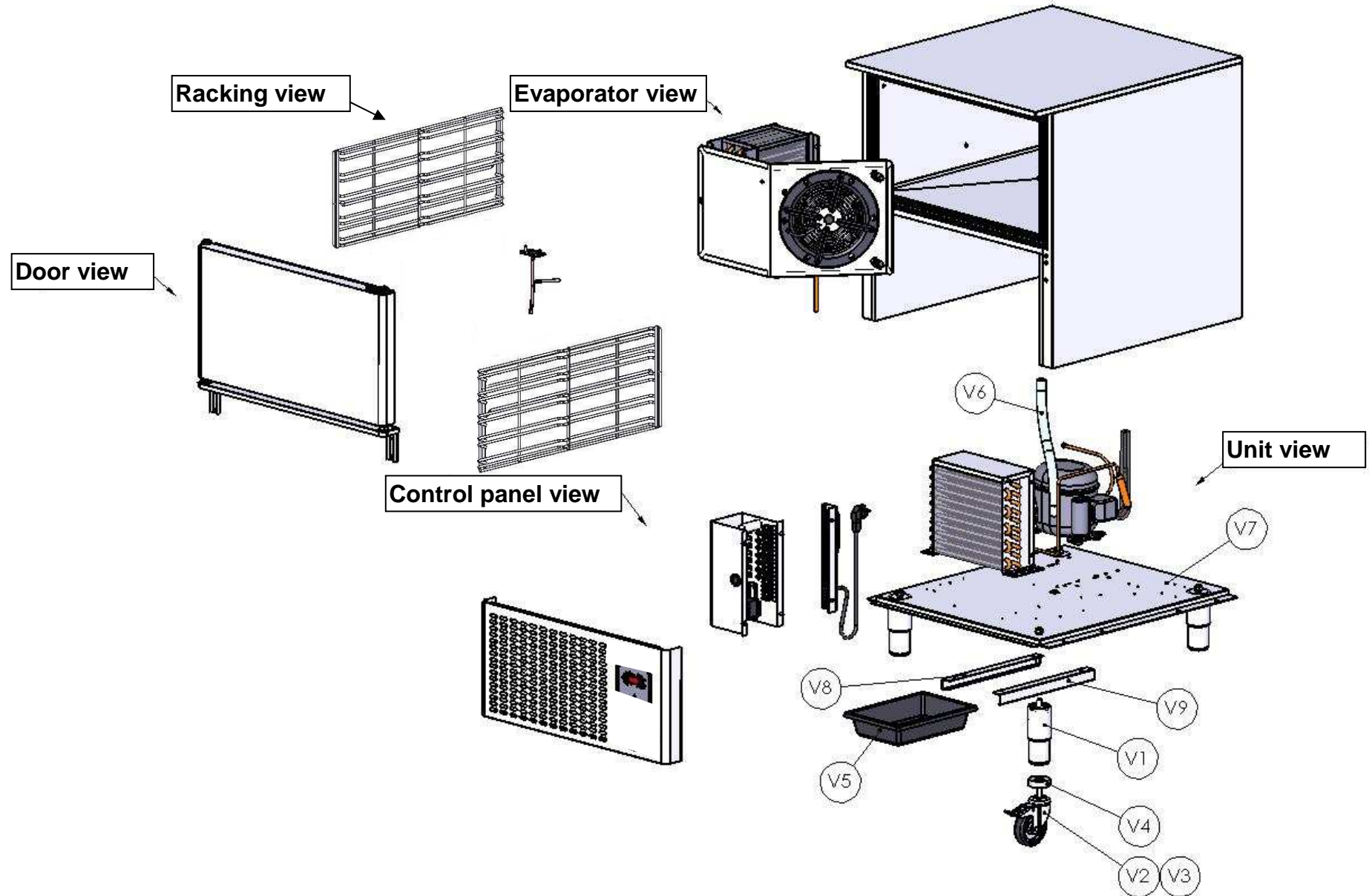
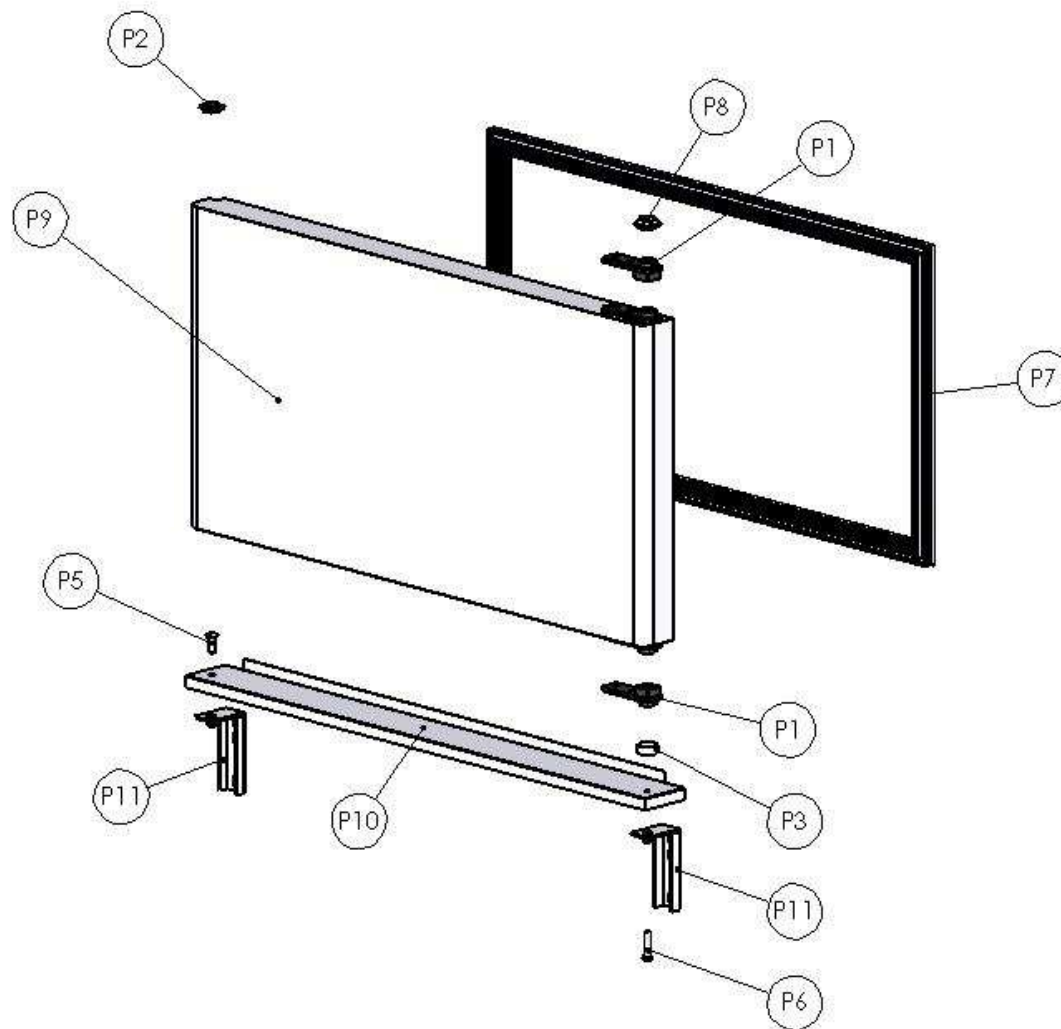
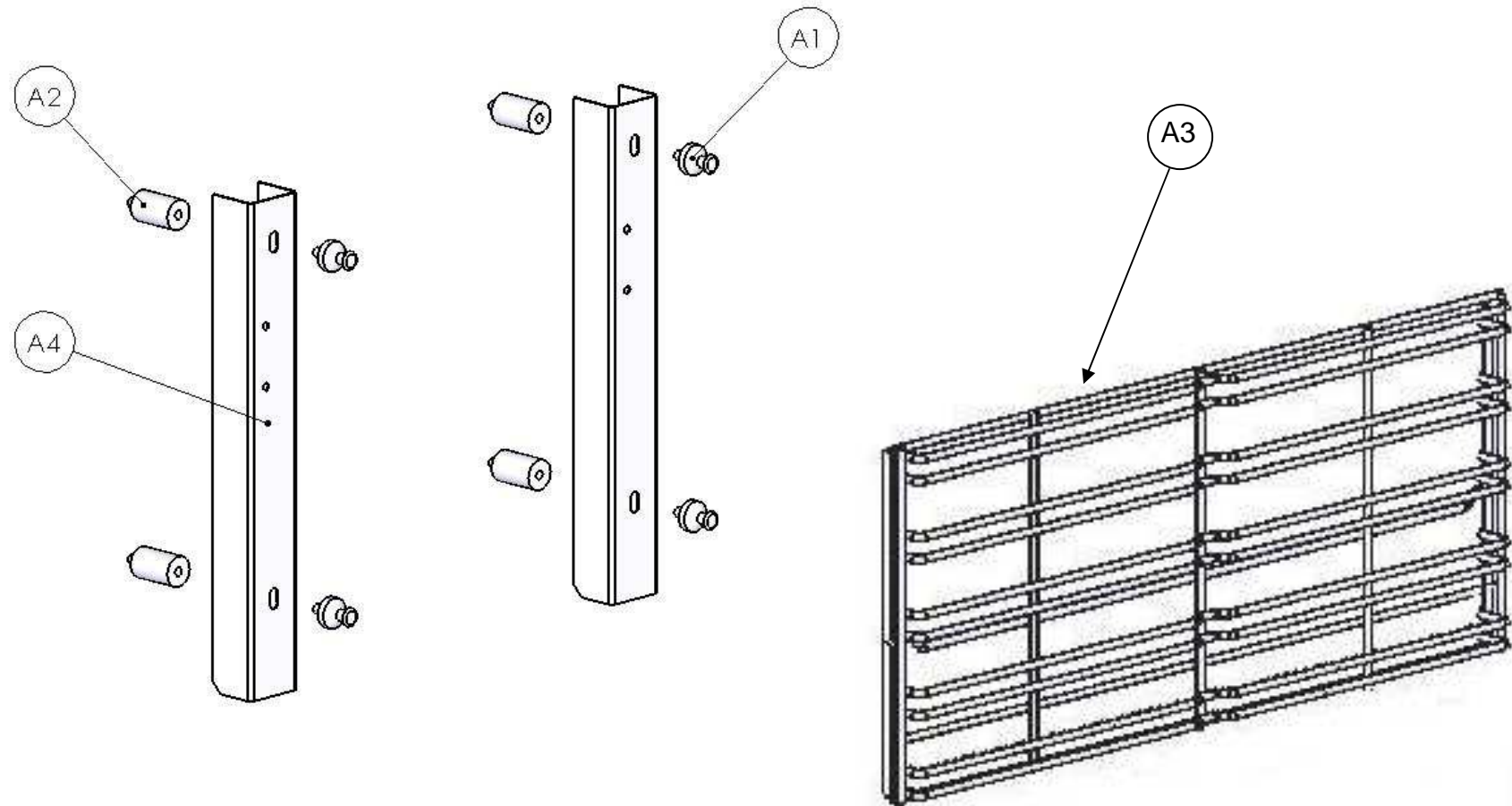


OVERVIEW

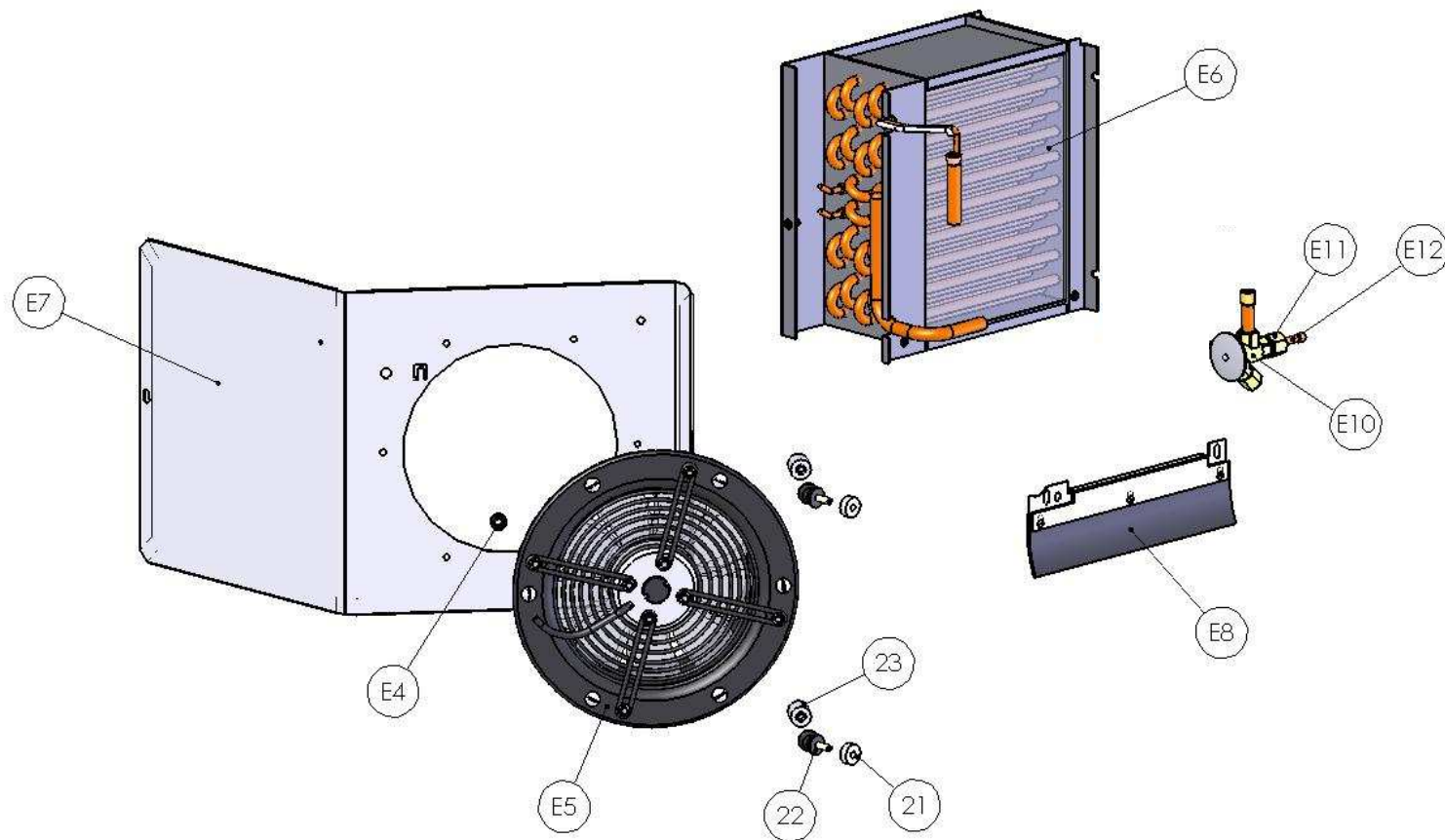




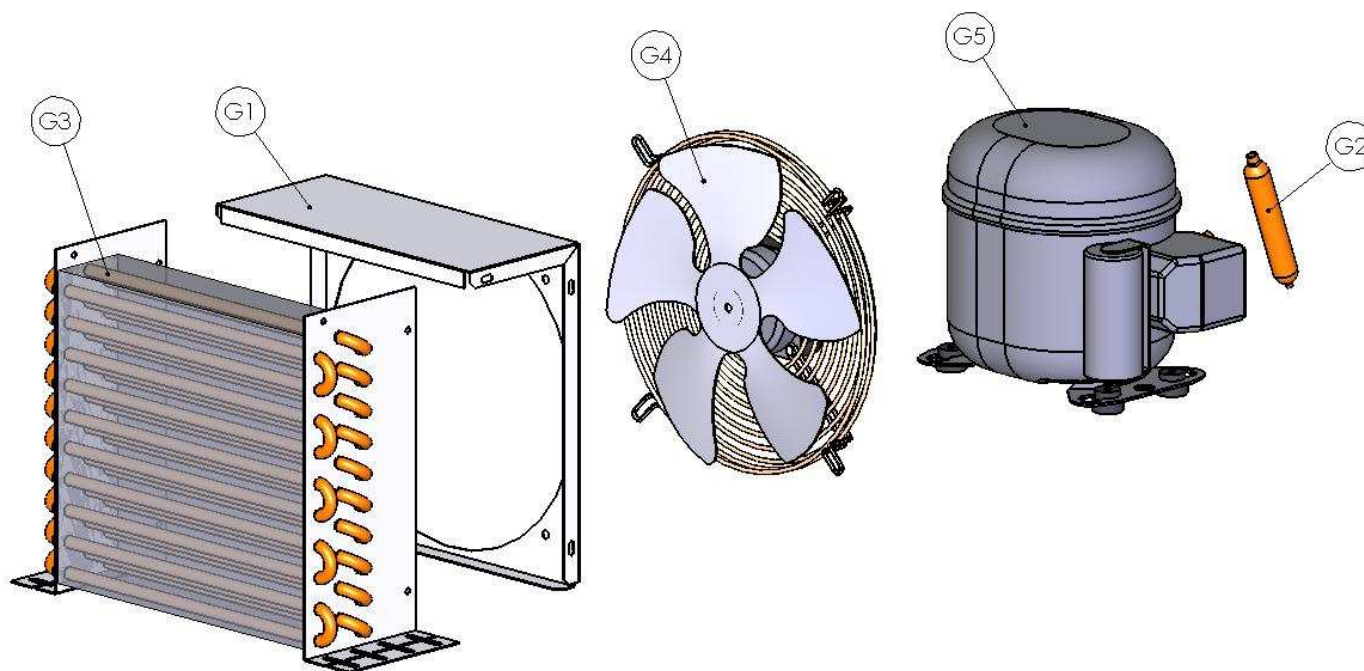
RACKING VIEW



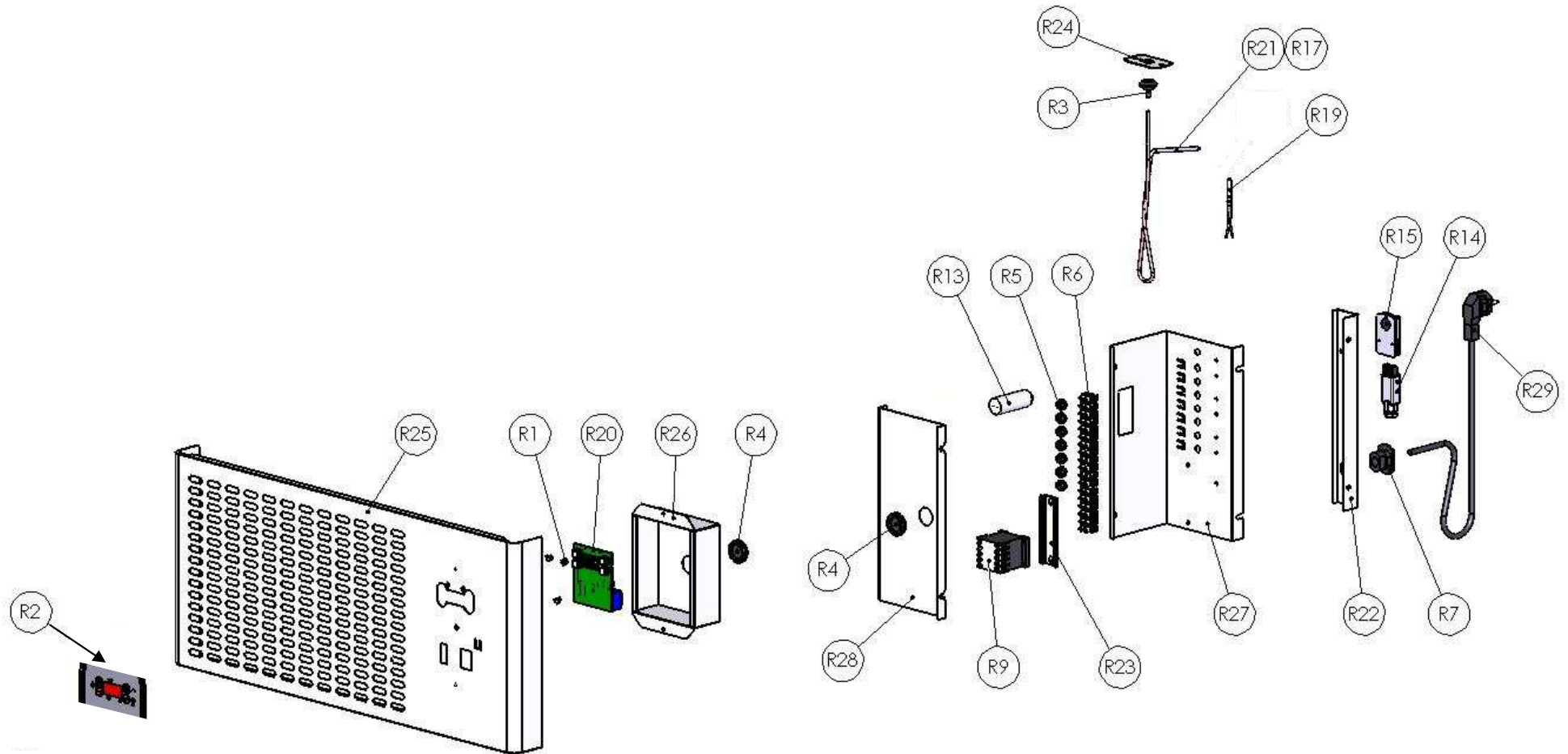
EVAPORATOR VIEW



UNIT VIEW



CONTROL PANEL VIEW



## PARTS LIST EUROTEC BLAST CHILLERS

|          | Rep | Model |       |       |       |       |       | Code CIB | DEXION | MBM | FCB | Description                                      |
|----------|-----|-------|-------|-------|-------|-------|-------|----------|--------|-----|-----|--|
|          |     | 12/6  | 20/10 | 35/15 | 45/20 | 60/25 | 80/40 |          |        |     |     |  |
| Overview | V1  | X     | X     | X     | X     | X     | X     | 622085   | X      | X   | X   | S/S LEGS M12 HT:100 DIA.64                       |
| Overview | V2  |       |       | O     | O     | O     | O     | 622131   | X      | X   | X   | CASTOR DIA.100 WITH BRAKE - GALVANIZED CLEVIS    |
| Overview | V3  |       |       | O     | O     | O     | O     | 622132   | X      | X   | X   | CASTOR DIA.100 WITHOUT BRAKE - GALVANIZED CLEVIS |
| Overview |     | O     | O     |       |       |       |       | 622133   | X      | X   | X   | CASTOR DIA.80 WITH BRAKE - GALVANIZED CLEVIS     |
| Overview |     | O     | O     |       |       |       |       | 622134   | X      | X   | X   | CASTOR DIA.80 WITHOUT BRAKE - GALVANIZED CLEVIS  |
| Overview |     | O     | O     |       |       |       |       | 673783   | X      | X   | X   | SPACER CASTORS FIXING 80                         |
| Overview | V4  |       |       | O     | O     | O     | O     | 638159   | X      | X   | X   | SPACER CASTORS FIXING 100 (Drawing 679176)       |
| Overview | V5  | X     | X     | X     | X     | X     | X     | 638199   | X      | X   | X   | VAPORISATION TRAY 220x315x65                     |
| Overview | V6  | X     | X     | X     | X     | X     | X     | 640041   | X      | X   | X   | PIPE TUBCLAIR 19x25 (meter)                      |
| Overview | V7  | X     | X     | X     | X     | X     | X     | 670473   | X      | X   | X   | UNIT BASE  |
| Overview | V8  | X     | X     | X     | X     | X     | X     | 673549M  | X      | X   | X   | LEFT SLIDE FOR VAPORISATION TRAY BC              |
| Overview | V9  | X     | X     | X     | X     | X     | X     | 673549N  | X      | X   | X   | RIGHT SLIDE FOR VAPORISATION TRAY BC             |
| Overview | V10 | X     | X     |       |       |       |       | 664241A  | X      | X   | X   | BACK GRID LS BC (with fixing)                    |
| Overview | V10 |       |       | X     | X     | X     | X     | 664241B  | X      | X   | X   | BACK GRID HS BC(with fixing)                     |
| Door     | P2  | X     | X     | X     | X     | X     | X     | 622006   | X      | X   | X   | PLUG BPF 7/8                                     |
| Door     | P3  | X     | X     | X     | X     | X     | X     | 622058   | X      | X   | X   | HINGING PACER (Drawing 670431)                   |
| Door     | P5  | X     | X     | X     | X     | X     | X     | 625036   | X      | X   | X   | SCREW POELIER RL M6x20 S/S                       |
| Door     | P6  | X     | X     | X     | X     | X     | X     | 625075   | X      | X   | X   | SCREW TH M6x30 S/S                               |
| Door     | P7  | X     | X     | X     | X     | X     | X     | 638217   | X      | X   | X   | GASKET 703x378 LS.BC                             |
| Door     | P7  | X     | X     | X     | X     | X     | X     | 638218   | X      | X   | X   | GASKET 703x778 MS.BC                             |
| Door     | P7  | X     | X     | X     | X     | X     | X     | 638219   | X      | X   | X   | GASKET 703x1123 HS.BC                            |
| Door     | P8  | X     | X     | X     | X     | X     | X     | 640053   | X      | X   | X   | PASS WIRE PLOCAP PC20                            |
| Door     | P9  | X     | X     | X     | X     | X     | X     | 664200G  | X      | X   | X   | INSULATED DOOR RIGHT LS BC (With hinging)        |
| Door     | P9  | X     | X     | X     | X     | X     | X     | 664200H  | X      | X   | X   | INSULATED DOOR RIGHT MS BC (With hinging)        |
| Door     | P9  | X     | X     | X     | X     | X     | X     | 664200J  | X      | X   | X   | INSULATED DOOR RIGHT HS BC (With hinging)        |
| Door     | P9  | O     | O     |       |       |       |       | 664200K  | X      | X   | X   | INSULATED DOOR LEFT LS BC (With hinging)         |
| Door     | P9  |       |       | O     | O     |       |       | 664200L  | X      | X   | X   | INSULATED DOOR LEFT MS BC (With hinging)         |
| Door     | P9  |       |       |       |       | O     | O     | 664200M  | X      | X   | X   | INSULATED DOOR LEFT HS BC (With hinging)         |
| Door     | P10 | X     | X     | X     | X     | X     | X     | 670465   | X      | X   | X   | SPAR LOWER DOOR BC                               |
| Door     | P11 | X     | X     | X     | X     | X     | X     | 687919M  | X      | X   | X   | HINGING SUPPORT BC                               |
| Racking  | A1  | X     | X     | X     | X     | X     | X     | 622012   | X      | X   | X   | RACK AXIS (Drawing 674075)                       |
| Racking  | A2  | X     | X     | X     | X     | X     | X     | 622061   | X      | X   | X   | SPACER AXIS (Drawing 670519)                     |
| Racking  |     | X     | X     |       |       |       |       | 635052   | X      | X   | X   | RACK 5 LEVELS                                    |
| Racking  |     |       |       | X     | X     |       |       | 635053   | X      | X   | X   | RACK 10 LEVELS                                   |
| Racking  |     |       |       |       |       | X     | X     | 635054   | X      | X   | X   | RACK 15 LEVELS                                   |
| Racking  | A4  | X     | X     |       |       |       |       | 673818   | X      | X   | X   | SPACER LS RACKING BC                             |
| Racking  | A4  |       |       | X     | X     |       |       | 673819   | X      | X   | X   | SPACER MS RACKING BC                             |
| Racking  | A4  |       |       |       |       | X     | X     | 673820   | X      | X   | X   | SPACER HS RACKING BC                             |
| Evap     | E1  | X     | X     | X     | X     | X     | X     | 622059   | X      | X   | X   | SPACER RING ALI (Drawing 670517)                 |
| Evap     | E2  | X     | X     | X     | X     | X     | X     | 622060   | X      | X   | X   | AXIS ALI (Drawing 670518)                        |
| Evap     | E3  | X     | X     | X     | X     | X     | X     | 640020   | X      | X   | X   | DAMPER PAULSTRA 521201                           |
| Evap     | E4  | X     | X     | X     | X     | X     | X     | 640055   | X      | X   | X   | PASS WIRE D80/100/15                             |
| Evap     | E5  | X     |       |       |       |       |       | 645221   | X      | X   | X   | FAN 25W/200 (with grid & capacitor)              |
| Evap     | E5  |       | X     | X     | X     | X     | X     | 645155   | X      | X   | X   | FAN 25W/250 (with grid & capacitor)              |
| Evap     | E6  | X     | X     |       |       |       |       | 652003   | X      | X   | X   | EVAPORATOR 6N10T (Drawing 670501)                |
| Evap     | E6  |       |       | X     | X     |       |       | 652004   | X      | X   | X   | EVAPORATOR 4N25T (Drawing 670502)                |
| Evap     | E6  |       |       |       |       | X     | X     | 652005   | X      | X   | X   | EVAPORATOR 4N38T(Drawing 670503)                 |

## PARTS LIST EUROTEC BLAST CHILLERS

|      | Rep | Model |       |       |       |       |       | Code CIB | DEXION | MBM | FCB | Description  |
|------|-----|-------|-------|-------|-------|-------|-------|----------|--------|-----|-----|--|
|      |     | 12/6  | 20/10 | 35/15 | 45/20 | 60/25 | 80/40 |          |        |     |     |  |
| Evap | E7  | X     |       |       |       |       |       | 673756   | X      | X   | X   | BAFFLE EVAPORATOR LS 1 FAN 200 BC  |
| Evap | E7  |       | X     |       |       |       |       | 670341   | X      | X   | X   | BAFFLE EVAPORATOR LS 1 FAN 250 BC  |
| Evap | E7  |       |       | X     |       |       |       | 673757   | X      | X   | X   | BAFFLE EVAPORATOR MS 1 FAN 250 BC  |
| Evap | E7  |       |       |       | X     |       |       | 670342   | X      | X   | X   | BAFFLE EVAPORATOR MS 2 FAN 250 BC  |
| Evap | E7  |       |       |       |       | X     |       | 673758   | X      | X   | X   | BAFFLE EVAPORATOR HS 2 FAN 250 BC  |
| Evap | E7  |       |       |       |       |       | X     | 670343   | X      | X   | X   | BAFFLE EVAPORATOR HS 3 FAN 250 BC  |
| Evap | E8  | X     | X     |       |       |       |       | 686369   | X      | X   | X   | BAFFLE SET EVAPORATOR LS BC  |
| Evap | E8  |       |       | X     | X     |       |       | 686370   | X      | X   | X   | BAFFLE SET EVAPORATOR MS BC  |
| Evap | E8  |       |       |       |       | X     | X     | 686371   | X      | X   | X   | BAFFLE SET EVAPORATOR HS BC  |
| Evap | E9  | X     |       |       |       |       |       | 688977   | X      | X   | X   | CAPILLARY 10/10 Lg.2M00 Blue   |
| Evap | E10 | X     | X     | X     | X     | X     | X     | 651126   | X      | X   | X   | THERMOSTATIC EXPANSION VALVE TISE SAD-20   |
| Evap | E11 | X     | X     |       |       |       |       | 651135   | X      | X   | X   | EXPANSION VALVE ORIFICE N°0  |
| Evap | E11 |       |       | X     | X     |       |       | 651136   | X      | X   | X   | EXPANSION VALVE ORIFICE N°1  |
| Evap | E11 |       |       |       |       | X     |       | 651138   | X      | X   | X   | EXPANSION VALVE ORIFICE N°3  |
| Evap | E11 |       |       |       |       |       | X     | 651139   | X      | X   | X   | EXPANSION VALVE ORIFICE N°4  |
| Evap | E12 | X     | X     | X     |       |       |       | 651161   | X      | X   | X   | ADAPTOR EXPANSION VALVE 1/4"   |
| Evap | E12 |       |       |       | X     | X     | X     | 651160   | X      | X   | X   | ADAPTOR EXPANSION VALVE 3/8"   |
| Unit | G1  | X     |       |       |       |       |       | 646226   | X      | X   | X   | VENTURI CONDENSOR 270  |
| Unit | G1  |       | X     |       |       |       |       | 646227   | X      | X   | X   | VENTURI CONDENSOR 270 25W  |
| Unit | G1  |       |       | X     | X     | X     |       | 670646   | X      | X   | X   | VENTURI 300 CONDENSOR 3N18T  |
| Unit | G1  |       |       |       |       |       | X     | 670647   | X      | X   | X   | VENTURI 400 CONDENSOR 3N18T  |
| Unit | G2  | X     |       |       |       |       |       | 651021   | X      | X   | X   | DESHYDRATOR 15 GRS (In case of after sale service, it is preferable to use a solid dehydrator cartridge) |
| Unit | G2  |       | X     | X     | X     |       |       | 651022   | X      | X   | X   | DESHYDRATOR 30 GRS (In case of after sale service, it is preferable to use a solid dehydrator cartridge) |
| Unit | G2  |       |       |       |       | X     | X     | 651018   | X      | X   | X   | DESHYDRATOR FDB 083S   |
| Unit | G3  | X     |       |       |       |       |       | 652056   | X      | X   | X   | CONDENSOR 103270 (Drawing 674236)  |
| Unit | G3  |       | X     |       |       |       |       | 652057   | X      | X   | X   | CONDENSOR 104270 (Drawing 674237)  |
| Unit | G3  |       |       | X     | X     | X     | X     | 652072   | X      | X   | X   | CONDENSOR DC3S2GD 3N18T (Drawing 670516)   |
| Unit | G4  | X     |       |       |       |       |       | 653072   | X      | X   | X   | FAN 10W/254 (with grid & fan)  |
| Unit | G4  |       | X     |       |       |       |       | 653073   | X      | X   | X   | FAN 25W/254 (avec grille et fan)   |
| Unit | G4  |       |       | X     | X     | X     |       | 653075   | X      | X   | X   | FAN 25W/300 (avec grille et fan)   |
| Unit | G4  |       |       |       |       |       | X     | 653124   | X      | X   | X   | FAN 3CFR 400 (avec grille et fan)  |
| Unit | G5  | X     |       |       |       |       |       | 653153   | X      | X   | X   | COMPRESSOR ML80FB 3/8CV R404A 230V-50Hz  |
| Unit | G5  |       | X     |       |       |       |       | 653155   | X      | X   | X   | COMPRESSOR MP14FB 1/2CV R404A 230V-50Hz  |
| Unit | G5  |       |       | X     |       |       |       | 653215   | X      | X   | X   | COMPRESSOR MX23FB 7/8CV R404A 230V-50Hz (with junction box & capacitor)                                  |
| Unit | G5  |       |       |       | X     |       |       | 653216   | X      | X   | X   | COMPRESSOR MS34FB 1CV R404A 230V-50Hz (with junction box & capacitor)                                    |
| Unit | G5  |       |       |       |       | X     |       | 653217   | X      | X   | X   | COMPRESSOR FH2480Z 2CV R404A 230V-50Hz (with heater housing junction box & capacitor)                    |
| Unit | G5  |       |       |       |       |       | X     | 653088   | X      | X   | X   | COMPRESSOR TAG2516Z 4CV R404A 400V-50Hz (with heater housing)  |
| Unit | G6  |       |       | X     |       |       |       | 653215A  | X      | X   | X   | HOUSING COMPRESSOR MX23FB (with capacitor)   |
| Unit | G6  |       |       |       | X     |       |       | 653216A  | X      | X   | X   | HOUSING COMPRESSOR MS34FB (with capacitor)   |
| Unit | G6  |       |       |       |       | X     |       | 653217A  | X      | X   | X   | HOUSING COMPRESSOR FH2480Z (with capacitor)  |
| Unit | G7  |       |       |       |       | X     |       | 653217B  | X      | X   | X   | HEATER HOUSING FH2480Z   |



**PARTS LIST  
EUROTEC BLAST CHILLERS**

|               | Rep | Model |       |       |       |       |       | Code CIB | DEXION | MBM | FCB | Description  |
|---------------|-----|-------|-------|-------|-------|-------|-------|----------|--------|-----|-----|--|
|               |     | 12/6  | 20/10 | 35/15 | 45/20 | 60/25 | 80/40 |          |        |     |     |  |
| Unit          | G7  |       |       |       |       |       | X     | 653088A  | X      | X   | X   | HEATER HOUSING TAG2516Z                                      |
| Unit          | G8  | X     | X     | X     | X     | X     | X     | 622059   | X      | X   | X   | SPACER RING ALI (Drawing 670517)                             |
| Unit          | G9  | X     | X     | X     | X     | X     | X     | 622060   | X      | X   | X   | AXIS ALI (Drawing 670518)                                    |
| Unit          | G10 |       |       | X     | X     | X     | X     | 625058   | X      | X   | X   | TRIANGULAR HEAD SCREW D32 M6x15                              |
| Unit          | G11 | X     | X     | X     | X     | X     | X     | 640020   | X      | X   | X   | DAMPER PAULSTRA 521201                                       |
| Unit          | G12 |       |       | X     | X     |       |       | 653118   | X      | X   | X   | RECEIVER 0,7L  |
| Unit          | G12 |       |       |       |       | X     | X     | 653119   | X      | X   | X   | RECEIVER 2,2L  |
| Unit          | G13 |       |       |       |       | X     | X     | 670649   | X      | X   | X   | PRESSURE SWITCH SUPPORT                                      |
| Unit          | G14 |       |       |       |       | X     | X     | 651032   | X      | X   | X   | PRESSURE SWITCH PS1 A5A (HP)                                 |
| Control panel | R1  | X     | X     | X     | X     | X     | X     | 622228   | X      | X   | X   | SPACER M3x6,8 (Drawing 670015)                               |
| Control panel | R2  | X     | X     | X     | X     | X     | X     | 638451   | X      |     |     | LABEL CTRL PANEL DEXION 150x170 Drawing 673798               |
| Control panel | R2  | X     | X     | X     | X     | X     | X     | 638452   |        | X   |     | LABEL CTRL PANEL MBM 150x170 Drawing 673799                  |
| Control panel | R2  | X     | X     | X     | X     | X     | X     | 638453   |        |     | X   | LABEL CTRL PANEL FCB 150x170 Drawing 673800                  |
| Control panel | R3  | X     | X     | X     | X     | X     | X     | 640052   | X      | X   | X   | PASS WIRE  |
| Control panel | R4  | X     | X     | X     | X     | X     | X     | 640054   | X      | X   | X   | PASS WIRE MEMBRANE DG21                                      |
| Control panel | R5  | X     | X     | X     | X     | X     | X     | 640055   | X      | X   | X   | PASS WIRE D80/100/15   |
| Control panel | R6  | X     | X     | X     | X     | X     | X     | 645056   | X      | X   | X   | EDGE CONNECTOR PA44 16A 4mm2 (provided in strip of 12 plots) |
| Control panel | R7  | X     | X     | X     | X     | X     | X     | 645058   | X      | X   | X   | WIRE POWER END   |
| Control panel | R9  |       | X     | X     |       |       |       | 645104   | X      | X   | X   | CONTACTOR LC1K0910M7   |
| Control panel | R9  |       |       |       | X     | X     | X     | 645102   | X      | X   | X   | CONTACTOR LC1D12M7   |
| Control panel | R10 |       |       |       |       |       | X     | 645115   | X      | X   | X   | THERMAL RELAY LRD14  |
| Control panel | R13 | X     | X     | X     | X     | X     | X     | 645221A  | X      | X   | X   | CAPACITOR FAN 15W200   |
| Control panel | R13 | X     | X     | X     | X     | X     | X     | 645155A  | X      | X   | X   | CAPACITOR FAN 25W250   |
| Control panel | R14 | O     | O     | O     | O     | O     | O     | 645513   | X      | X   | X   | 3 POLES PANEL PLUG (option HACCP plug)                       |
| Control panel | R15 | O     | O     | O     | O     | O     | O     | 645514   | X      | X   | X   | 3 POLES FEMALE PLUG (option HACCP plug)                      |
| Control panel | R17 | O     | O     | O     | O     | O     | O     | 651175   | X      | X   | X   | CORE PROBE PTC+NTC Drawing 670160 (option HACCP plug)        |
| Control panel | R19 | X     | X     | X     | X     | X     | X     | 651194   | X      | X   | X   | CONTROL PROBE PTC Lg 2,5m (ambient card front)               |
| Control panel | R20 | X     | X     | X     | X     | X     | X     | 651205   | X      | X   | X   | BESPOKE  |
| Control panel | R21 | X     | X     | X     | X     | X     | X     | 651208   | X      | X   | X   | CORE PROBE PTC (Drawing 673742)                              |
| Control panel | R22 | X     | X     |       |       |       |       | 670475M  | X      | X   | X   | END WIRE SUPPORT LS BC                                       |
| Control panel | R22 |       |       | X     | X     | X     | X     | 670475N  | X      | X   | X   | END WIRE SUPPORT HS BC                                       |
| Control panel | R23 |       | X     | X     | X     | X     | X     | 670654P  | X      | X   | X   | DIN RAIL Lg 106  |
| Control panel | R24 | X     | X     | X     | X     | X     | X     | 670773M  | X      | X   | X   | SHEET CORE PROBE   |
| Control panel | R25 | X     | X     |       |       |       |       | 673796   | X      | X   | X   | CONTROL PANEL GRID LS BC DEXION                              |
| Control panel | R25 |       |       | X     | X     | X     | X     | 673797   | X      | X   | X   | CONTROL PANEL GRID HS BC DEXION                              |
| Control panel | R26 | X     | X     | X     | X     | X     | X     | 673755   | X      | X   | X   | HOOD HORIZONTAL CONTROL BC                                   |
| Control panel | R27 | X     | X     |       |       |       |       | 673804   | X      | X   | X   | ELECTRICAL PANEL LS BC                                       |
| Control panel | R27 |       |       | X     | X     | X     | X     | 673805   | X      | X   | X   | ELECTRICAL PANEL HS BC                                       |
| Control panel | R28 | X     | X     |       |       |       |       | 673806   | X      | X   | X   | HOOD LS ELECTRICAL PANEL BC                                  |
| Control panel | R28 |       |       | X     | X     | X     | X     | 673807   | X      | X   | X   | HOOD HS ELECTRICAL PANEL BC                                  |
| Control panel | R29 | X     | X     | X     | X     | X     |       | 679845   | X      | X   | X   | WIRE POWER 1~230V+T 10A                                      |
| Control panel | R29 |       |       |       |       |       | X     | 679846   | X      | X   | X   | WIRE POWER 3N~430V+T   |

X standard  
O Option

LS: LOW SHELL  
MS: MEDIUM SHELL  
HS: HIGHT SHELL  
BC: BLAST CHILLER