



ELECTRIC OVEN
ELEKTROBACKOFEN
FOUR ÉLECTRIQUE
HORNO ELÉCTRICO
FORNO ELÉCTRICO
FORNO ELETTRICO

GAS OVEN
GASBACKOFEN
FOUR À GAZ
HORNO DE GAS
FORNO A GÁS
FORNO A GAS

OVEN WITH BOILER
BACKOFEN MIT BOILER
FOUR AVEC CHAUFFE-EAU
HORNO CON BOILER
FORNO COM BOILER
FORNO CON BOILER

DIRECT OVEN
DIREKTER BACKOFEN
FOUR DIRECT
HORNO DIRECTO
FORNO DIRECTO
FORNO DIRETTO

OVEN WITH WASH CYCLE
BACKOFEN MIT SPÜLUNG
FOUR AVEC LAVAGE
HORNO CON CICLO DE LAVADO
FORNO COM LAVAGEM
FORNO CON LAVAGGIO

OVEN WITH CORE PROBE
BACKOFEN MIT KERNFÜHLER
FOUR AVEC SONDE À CŒUR
HORNO CON Sonda Térmica
FORNO COM Sonda No Núcleo
FORNO CON Sonda Al Cuore

OVEN WITH TROLLEY
BACKOFEN MIT TROLLEY
FOUR AVEC TROLLEY
HORNO CON TROLLEY
FORNO COM TROLLEY
FORNO CON TROLLEY

DRIVE 210

REV. 01 - 12/09:

MODIFICATO IMPIANTO IDRAULICO (GAS ED ELETTRICO) - AGGIUNTO FILTRI (ELETTRICO) E FERRITE (ELETTRICO) - AGGIORNATO BASAMENTI PER 610 E 210 - SOSTITUITO INIETTORE UMIDIFICATORE - SOSTITUITO MOTORINO APERTURA VALVOLA E RELATIVI COMPONENTI - SOSTITUITO ELETTROVALVOLA E RELATIVI COMPONENTI (SOLO LAVAGGIO) - SOSTITUITO CENTRALINA ACCENSIONE FORNO (SOLO GAS) - AGGIUNTA PARATIA PARA SPRUZZI

REV. 2010:

MODIFICATO LAVAGGIO TOURNIQUETTE (RACCORDO + TUBO TEFLON) - AGGIUNTO TUBO LAVAGGIO POSTERIORE (PER ELETTRICO)

REV. 01/2010:

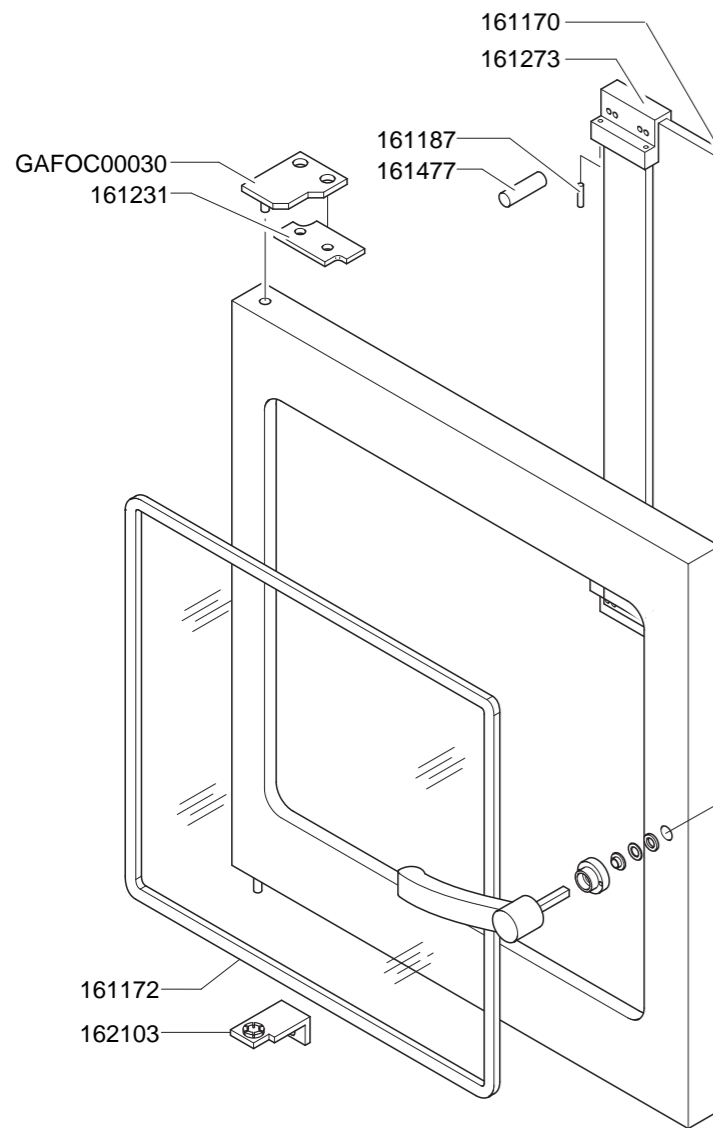
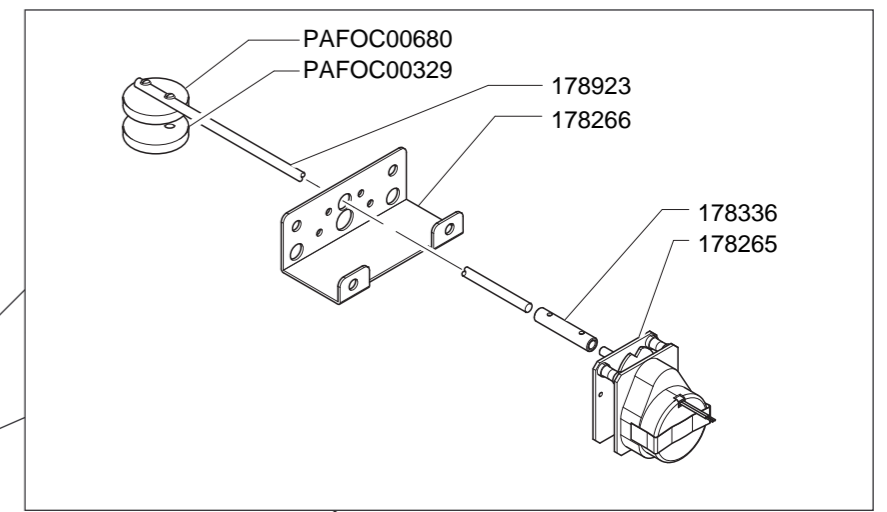
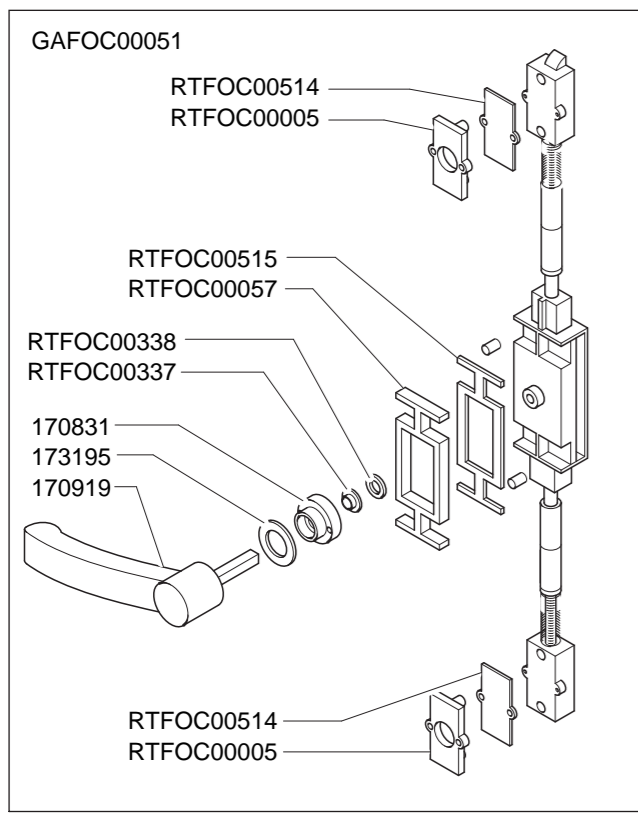
(N. MODIFICA 10-042): AGGIUNTO KIT SUPPORTO SONDA AL CUORE (RIC0004514).

REV. 02/2010:

MODIFICATO GRUPPO LAVAGGIO

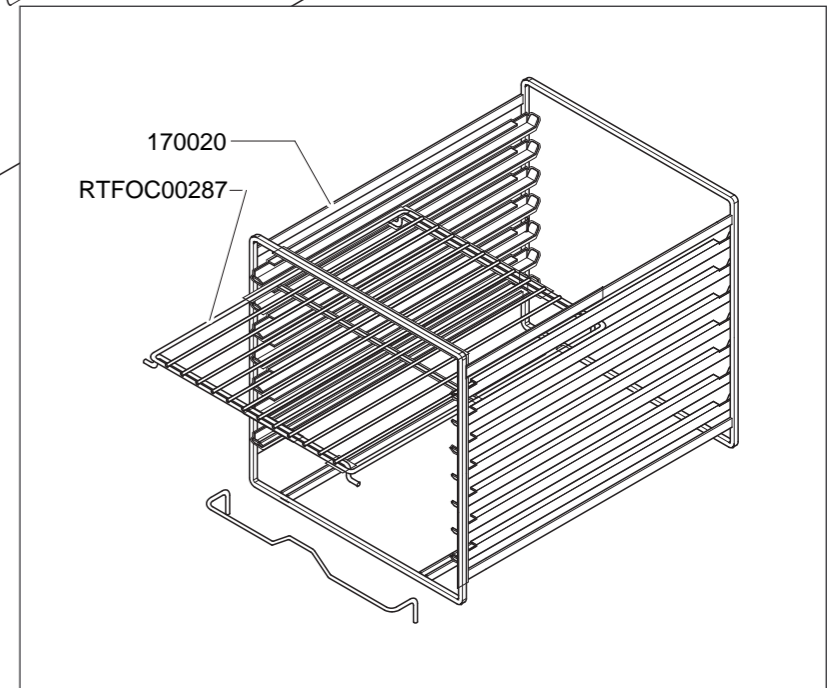
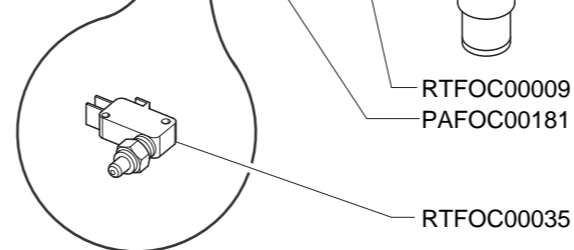
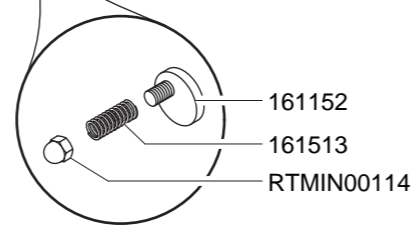
REV. 10/2014:

(N. MODIFICA 13-020): SOSTITUZIONE COMPONENTI NUOVA IDRAULICA DALLA MATRICOLA N. 1046234



GAFOC00027
 173827

MPGOM03P00
 172218



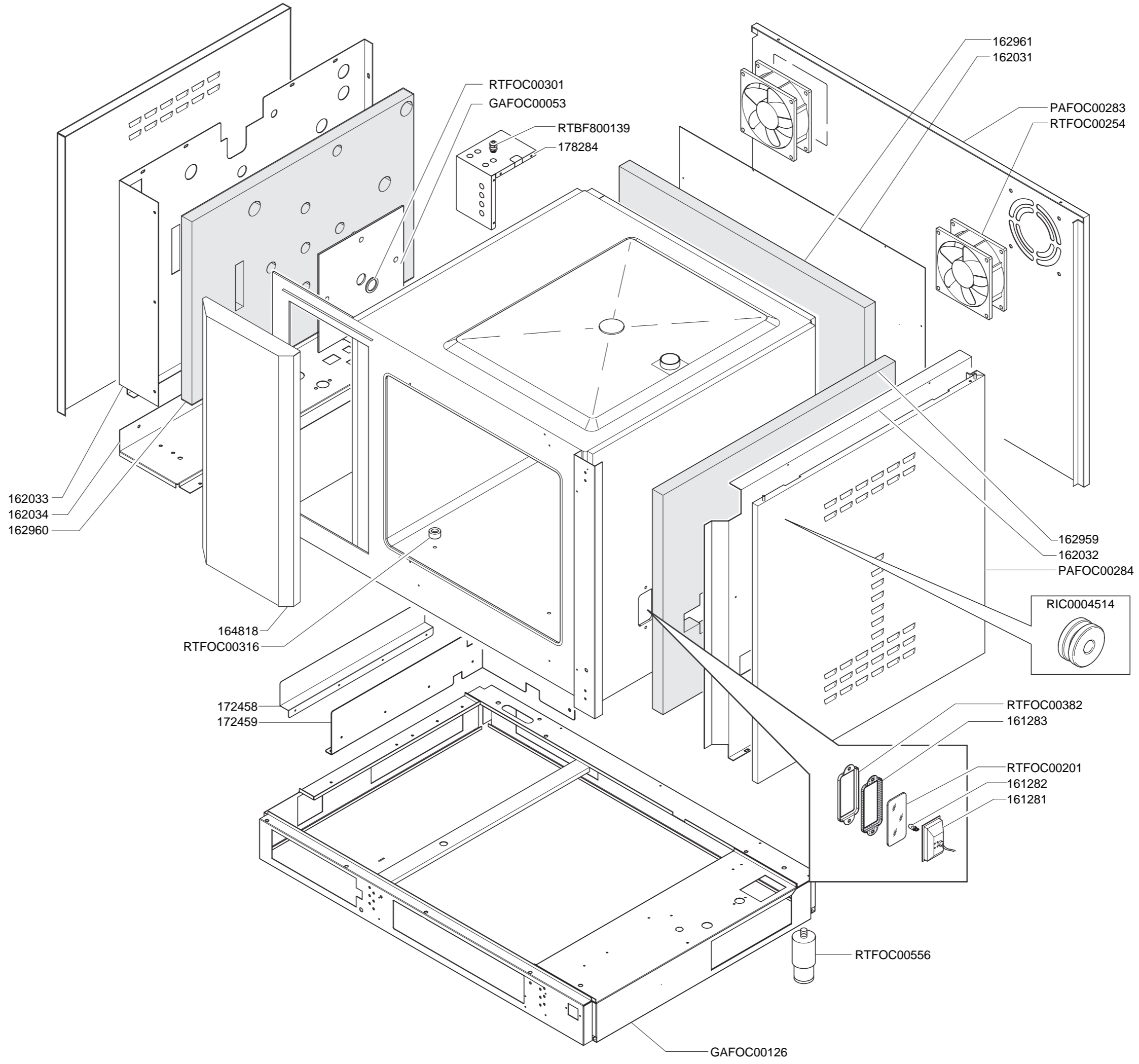
167637

170527
 161411



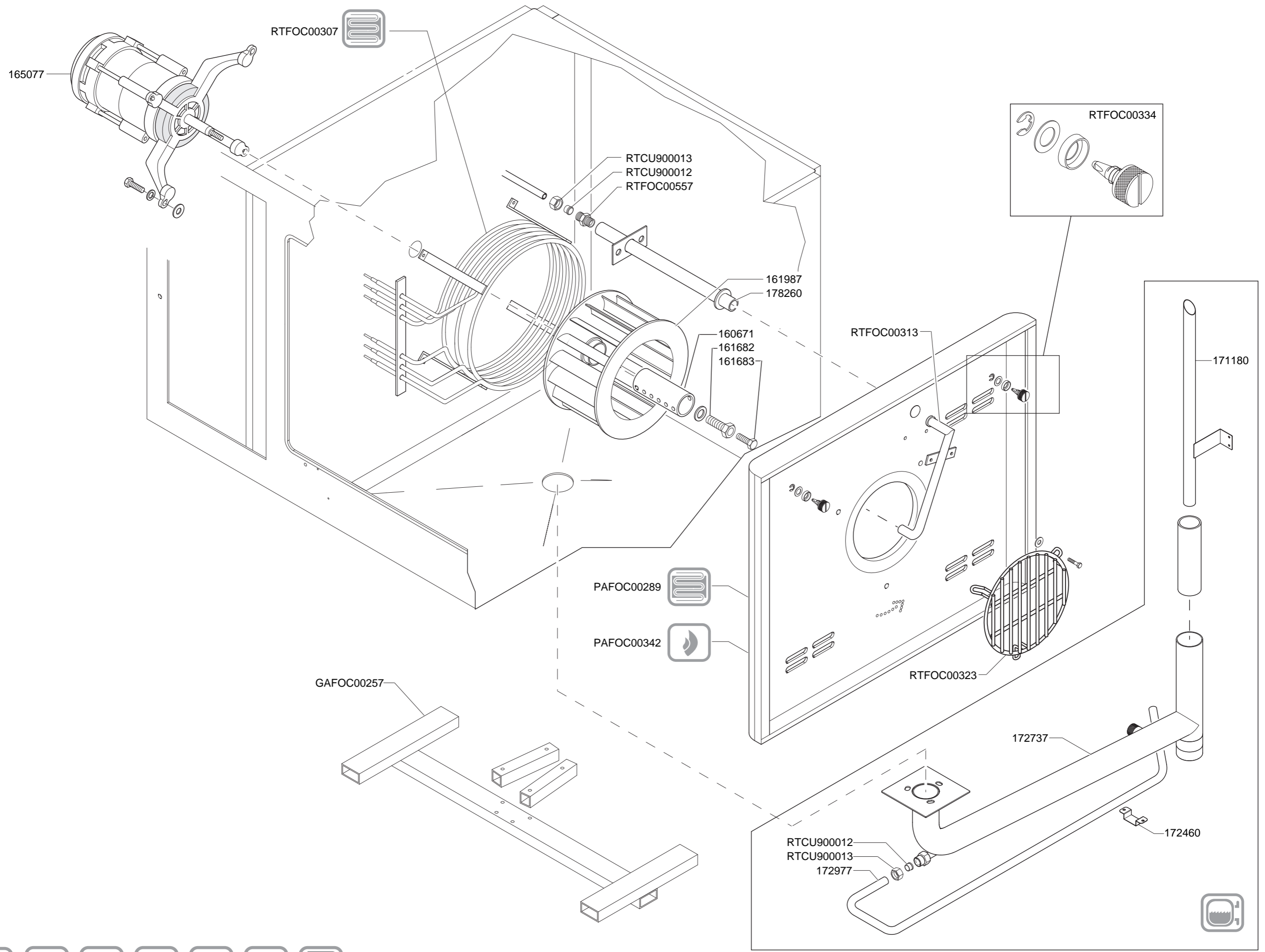
DRIVE 210

TAV.1



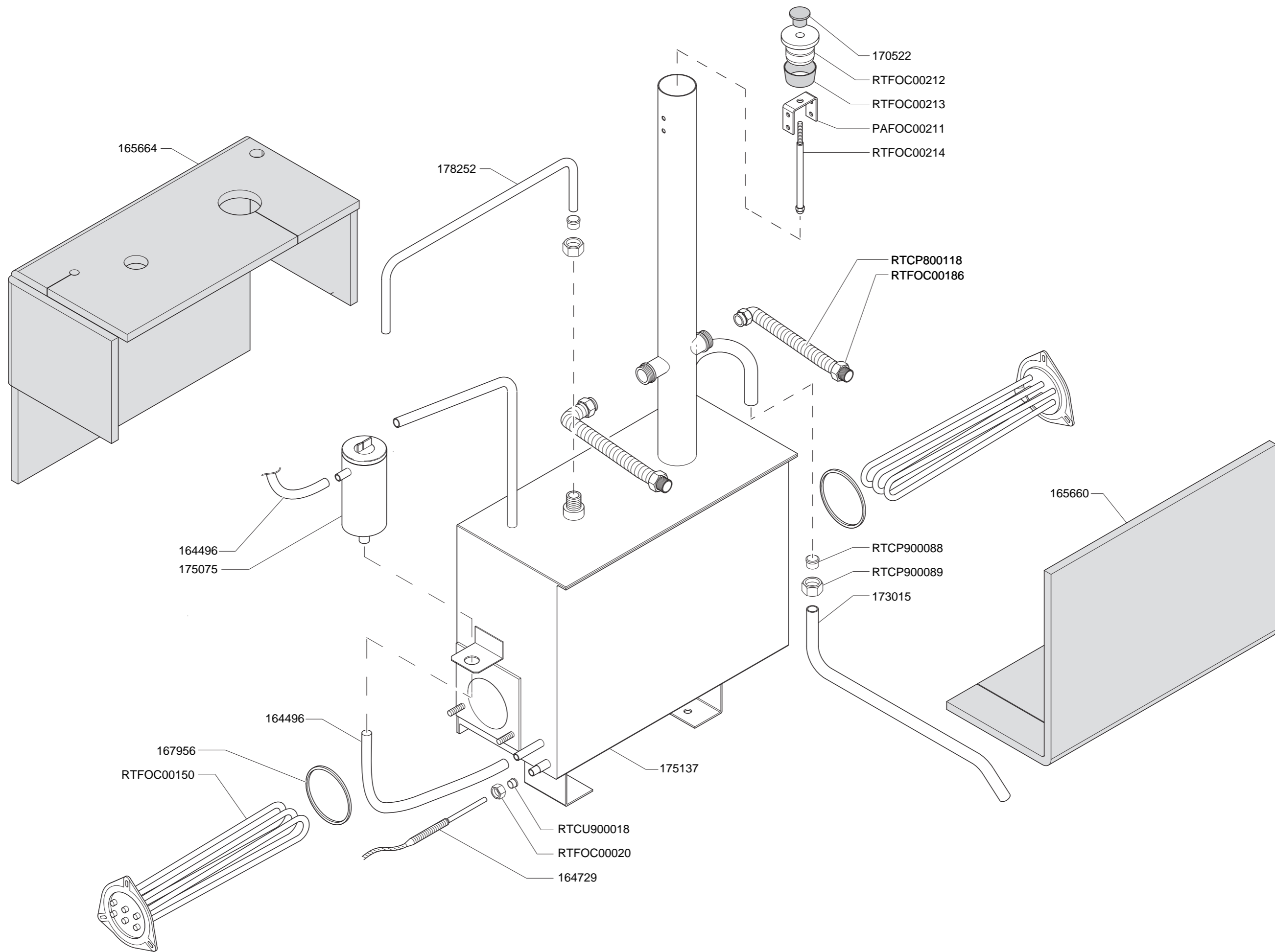
DRIVE 210

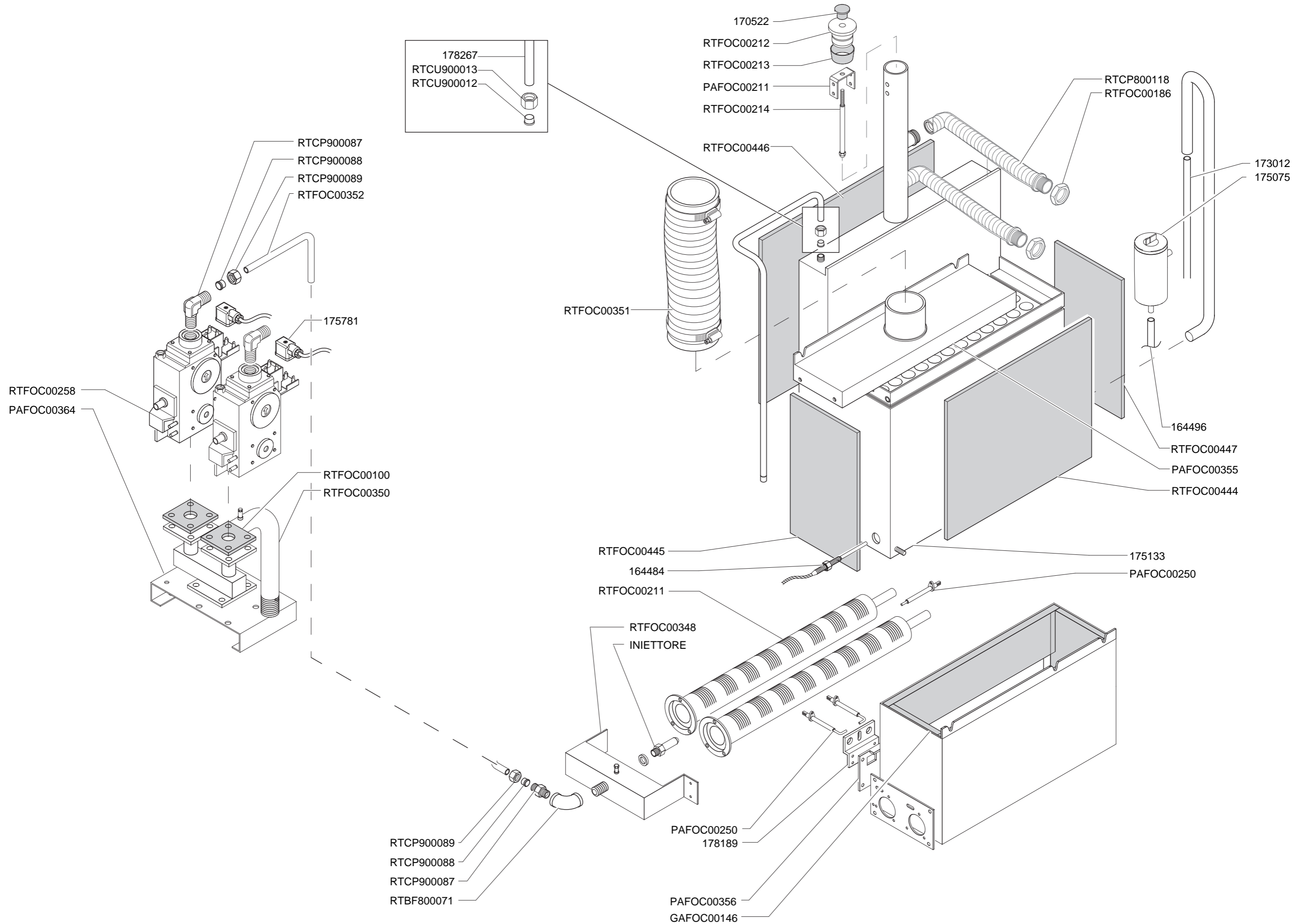
TAV.2



DRIVE 210

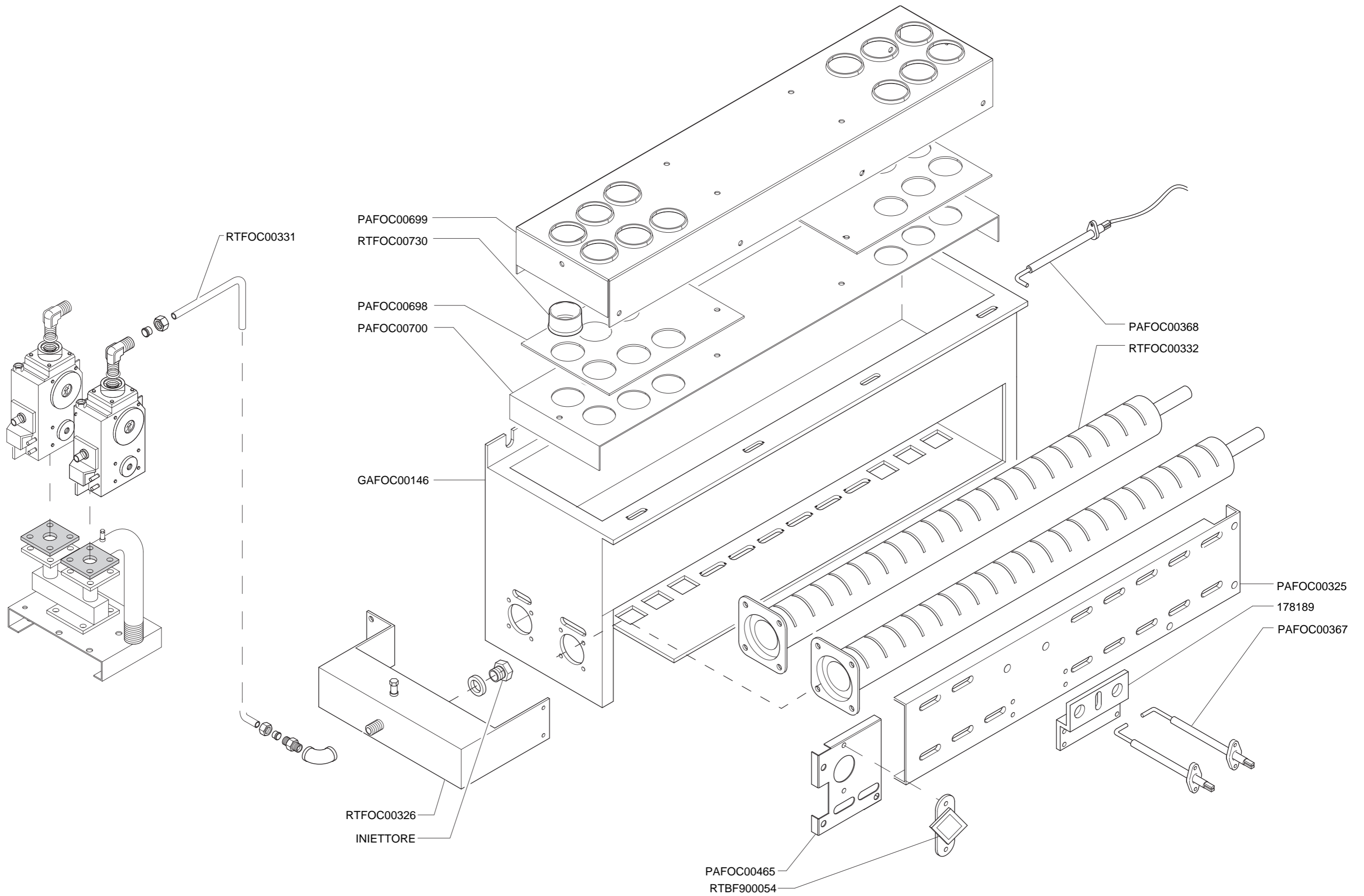
TAV.3





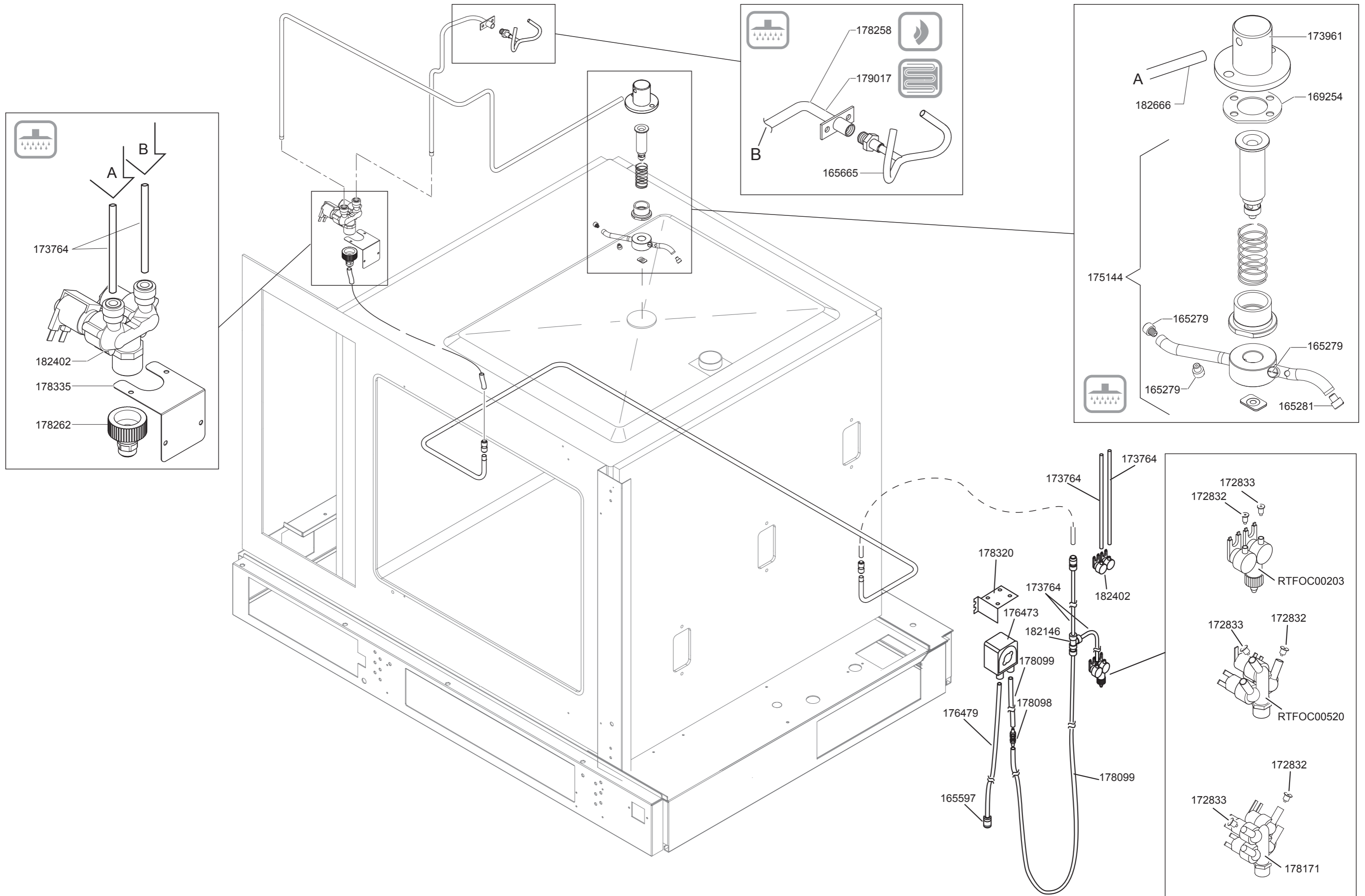
DRIVE 210

TAV.5



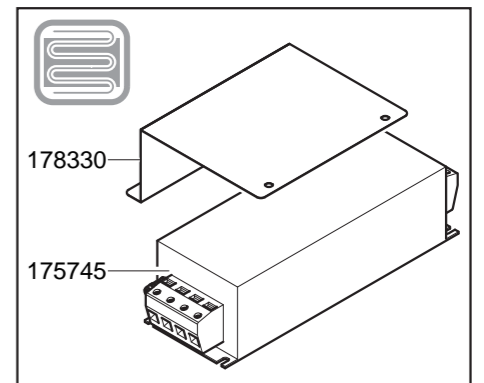
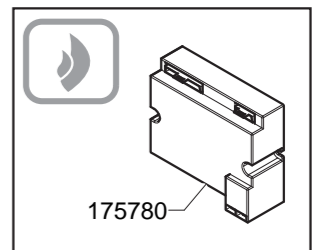
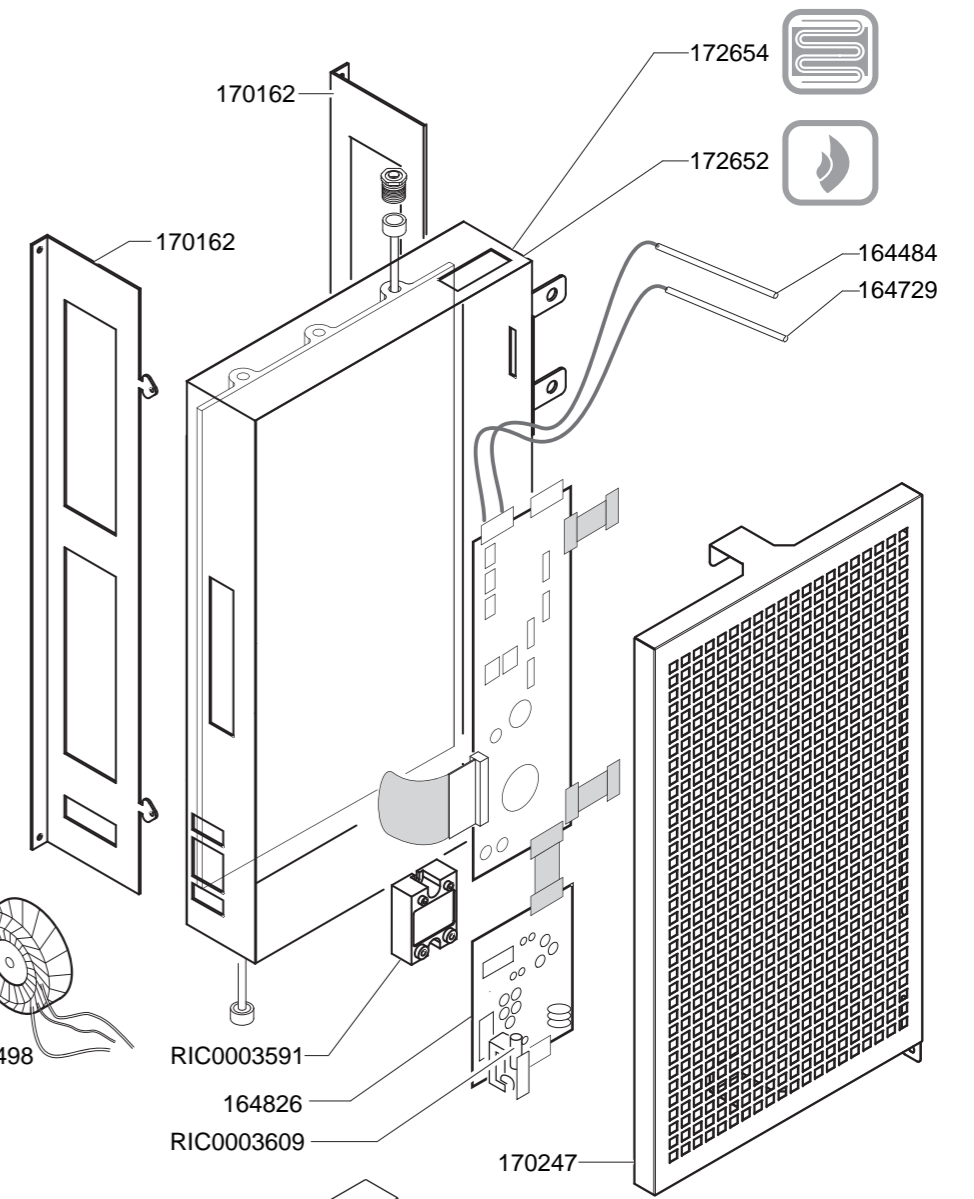
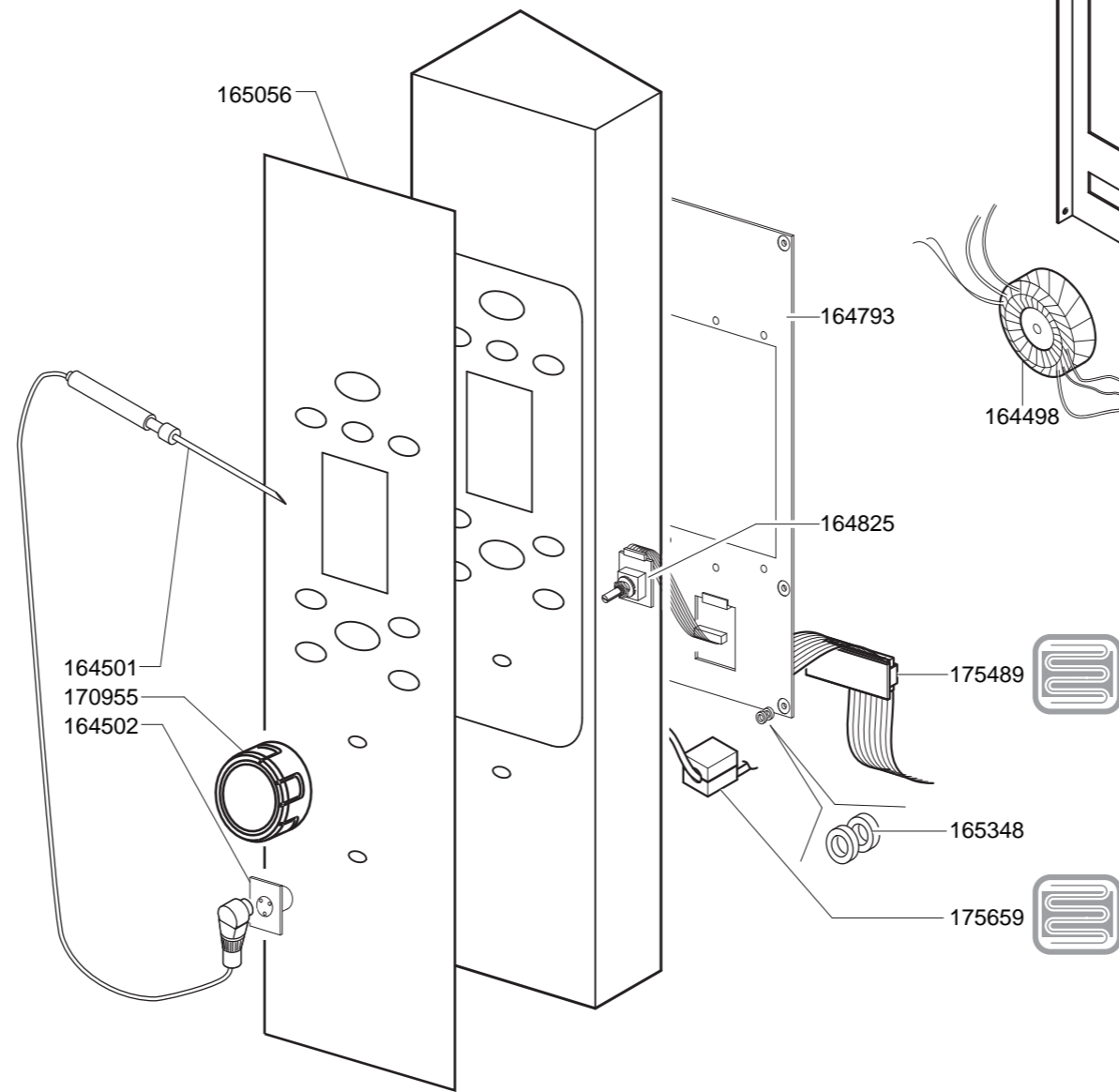
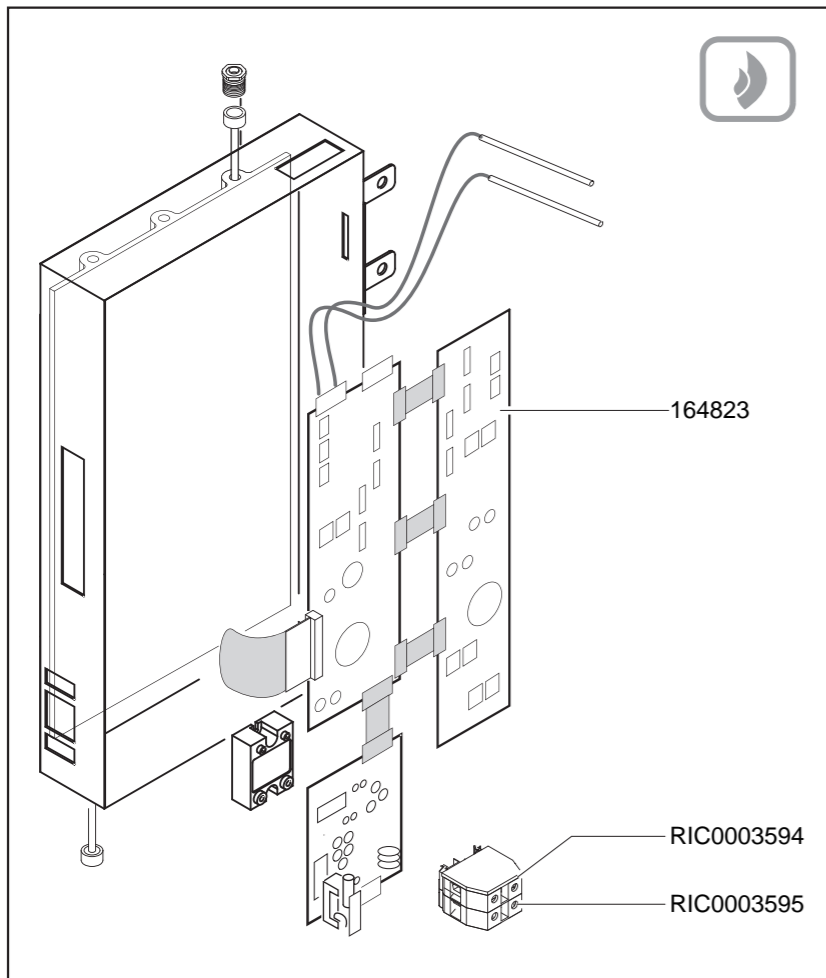
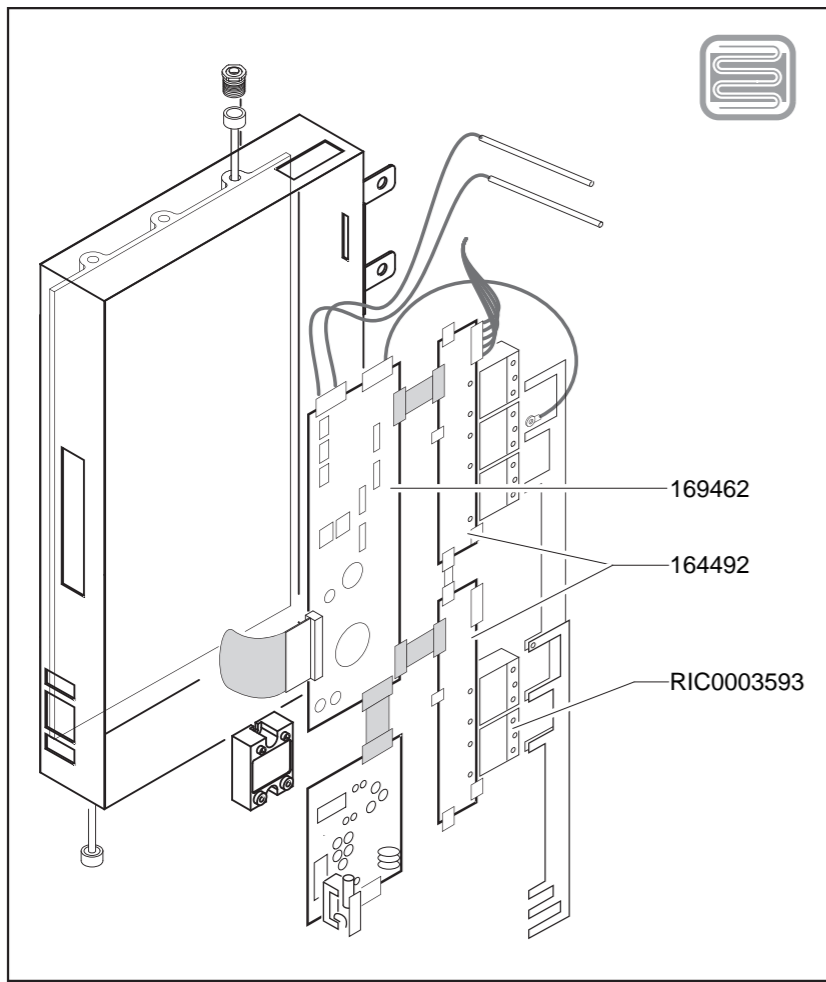
DRIVE 210

TAV.5A



DRIVE 210

TAV.6A



DRIVE 210

TAV.7

COD.	IT	FR	GB	DE
160671	NEBULIZZATORE FGC200	NÉBULISATEUR	DISTRIBUTOR	ZERSTÄUBER
161122	AS.CASSONE F.FGC200	MOUFFLE F.FGC200	CAVITY OVEN FGC200	KASTEN OFEN FGC200
161142	AS.CASSONE F.FEC200	ENSEMBLE CAISSON F.EL.	COOKING CHAMBER	KASTENGRUPPE ELEKTRO-BACKOFEN
161152	PERNO+GHIERA GUIDA MOLLA VETRO P.FV.	GROUPE BAGUE BLOCAGE VERRE	UNIT LUCKING GLASS NUT	GRUPPE GEFESTIGUNGSMUTTER GLAS
161164	AS.PORTA F.SX SERIE 200	PORTE FOUR GAUCHE SERIE 200	DOOR, OVEN LH SERIES 200	TÜR, OFEN LINKS REIHE 200
161166	AS.PROTEZ.SERR.P.F. SX S.100	PROTECTION SERR.P.F. GAUCHE S.100	LH OV.DOOR LOCK.SAFETY S.100	SCHUTZ, OF.TÜRSCHLOSS LINKS S.100
161170	CRISTALLO INT.P.F.SERIA 200	CRISTAL INT.P.F.SERIA 200	CRYSTALL GLASS, INS.FOR OV.SERIES 200	KRISTALLGLAS, INN.FÜR OF.REIHE 200
161172	CRISTALLO EST.P.F.SERIA 100	CRISTAL EXT.P.F.SERIA 100	CRYSTALL GLASS, OUT FOR OV.SERIES 100	KRISTALLGLAS, AUSS. FÜR OF.REIHE 100
161187	PERNO INF.CERN.VETRO P.FORNO	PIVOT INF.CHARN.VERRE PORTE FOUR	PIN, LOW.,GLASS HINGE FOR OVEN DOOR	ZAPFEN, UNTEN SCHARNIER FÜR OFENTÜR GLAS
161231	DIST.CERN.SUP.P.FCV	ENTRETOISE CHARN.FOUR	SPACER, HINGE - OVEN	ABSTANDSSTÜCK, SCHARNIER OFEN
161273	AS.CERNIERA VETRO F.S.100/200	CHARNIERE VERRE F.S.100/200	HINGE, GLASS F.S.100/200	SCHARNIER, GLAS F.S.100/200
161281	P/LAMPADA FCV 77737	PORTE-LAMPE FCV 77737	LAMP-HOLDER FCV 77737	LAMPENFASSUNG FCV 77737
161282	LAMP.ALOG.FCV 20W 12VCC	LAMPE HALOGENE FCV 20W 12VCC	QUARTZ-IODINE LAMP FCV 20W 12VCC	HALOGENLAMPE FCV 20W 12VCC
161283	PROF.GUARNIZIONE CRUSC.FORNI	PROFIL JOINT PANN.FAÇ.FOURS	PROFILE, GASKET CONTROL PANEL OVENS	PROFIL, DICHTUNG OFENBEDIENTAFEL
161411	PROF.GUARN. CRUSCOTTO	JOINT	GASKET	DICHTUNG
161477	GOMMINO PORTA FORNO	CAPSULE EN CAOUTCH. PORTE FOUR	RUBBER BUFFER, OVEN DOOR	GUMMIPUFFER, OFENTÜR
161513	MOLLA GHIERA VETRO INT.P.FORNO	RESSORT BAGUE VERRE INT.PORTE FOUR	SPRING, INS.GLASS RING NUT OVEN DOOR	FEDER, GEWINDERING INN.GLAS OFENTÜR
161682	VITE SX PER GIRANTE 10G 161274	VIS GAUCHE POUR ROUE 10G 161274	SCREW, LH FOR IMPELLER 10G 161274	SCHRAUBE, LINKS FÜR LAUFRAD 10G 161274
161683	VITE DX M6X55 TCEI INOX GIR.10G	VIS DROITE M6X55 TCEI INOX PIV.10G	SCREW RH M6X55 TCEI INOX , REV.10G	SCHRAUBE RECHTS M6X55 TCEI INOX , DREH.10G
161987	GIRANTE VENT.20G D350X110/12PP	ROUE VENT.20G D350X110/12PP	IMPELLER, FAN 20G D350X110/12PP	LAUFRAD, LÜFTER 20G D350X110/12PP
162027	COPRILANA INF.FGMD207	PANNEAU COUVRE ISOLANT	INSULATING PANEL COVERING	ISOLIERMATERIALVERKLEIDUNG
162028	COPRILANA INF.FEMD207/209	PANNEAU COUVRE ISOLANT	INSULATING PANEL COVERING	ISOLIERMATERIALVERKLEIDUNG
162029	COPRILANA SUP.FGMD207	PANNEAU COUVRE ISOLANT SUPÉRIEUR	INSULATING PANEL COVER	ISOLIERMATERIALVERKLEIDUNG
162030	COPRILANA SUP.FEMD207	PANNEAU COUVRE ISOLANT SUPÉRIEUR	INSULATING PANEL COVER SUPERIOR	ISOLIERMATERIALVERKLEIDUNG
162031	COPRILANA POST.FEMD207	PANNEAU COUVRE ISOLANT POSTERIEUR	INSULATING PANEL COVER BACK	HINTERES COPRILANA
162032	COPRILANA DX FEMD207	PANNEAU COUVRE ISOLANT DROIT	INSULATING PANEL COVERING	ISOLIERMATERIALVERKLEIDUNG
162033	COPRILANA SX FEMD207	PANNEAU COUVRE ISOLANT GAUCHE	INSUL. PANEL COVERING	ISOLIERMATERIALVERKLEIDUNG
162034	PROTEZ. CAVI ELETTRICI	CABLES SUPPORT	SUPPORT CABLES	KABELHALTER
162103	CERN.INF.P.F.SX	CHARNIÈRE INFÉRIEUR GAUCHE PORTE DU FOUR	INGE PIN INFER.LEFT	MINDERWERTIGES SCHARNIER
162959	PANNELLO IS.DX FCG20-FCE20	PANNEAU ISOLANT	INSULATING PANEL	ISOLIERTAFEL
162960	PANNELLO IS. SX FCG20-FCE20	PANNEAU ISOLANT	INSULATING PANEL	ISOLIERTAFEL
162961	PANNELLO IS.POST.FCG20-FCE20	PANNEAU ISOLANT POSTÉRIEUR	BACK INSULATING PANEL	ISOLIERTAFEL
162962	PANNELLO IS.SUP.FCG20	PANNEAU ISOLANT SUPERIEUR CAISSON	BODY INSULATING UPPER PANEL	OBERE ISOLIERTAFEL
162963	PANNELLO IS.INF.FCE20	PANNEAU INFÉRIEUR	LOWER PANEL	UNTERE TAFEL
162967	PANNELLO IS.SUP.FCE20	PANNEAU ISOLANT SUPERIEUR	UPPER INSULATING PANEL	OBERE ISOLIERTAFEL
163615	PANNELLO IS.INF.FCG20	PANNEAU INFÉRIEUR	LOWER PANEL	UNTERE TAFEL
164484	TERMOCOPPIA 6X100K	THERMOCOPPIA 6X100K	THERMOCOUPLE 6X100K	WAERMEPAAR 6X100K
164492	SCHEDA RELE	CARTE RELAIS FOUR ELECTRIQUE	RELAY BOARD	RELAISKARTE ELEKTRO-BACKOFEN
164493	SCHEDA EL.BIDIREZ.MOT.	FICHE EL.BIDIRECT+J11784.MOT.	CARD, EL.BIDIREZ.MOT.	TARJETA EL. BIDIREC. MOT.

COD.	IT	FR	GB	DE
164496	TUBO	TUBE	PIPE	ROHR SPÜLDÜSE
164498	TRASF.ROT.165VA+ROND.	TRANSF.165VA	TRANSF.165VA	TRANSF.165VA
164501	SONDA C/DIAM 4X100 K MBM00019	SONDE C/DIAM 4X100 K MBM00019	PROBE C/DIAM 4X100 K MBM00019	SONDE C/DIAM 4X100 K MBM00019
164502	CONNETTORE SONDA MBM00021	CONNECTEUR	CONNECTOR	VERBINDUNG
164729	T/COPPIA 52 K MBM00017	THERMOCOUPLE 52 K MBM00017	THERMOCOUPLE 52 K MBM00017	THERMOELEMENT 52 K MBM00017
164793	SCHEDA EL.COMANDI DGT.FEM110	FICHE EL.COMMANDES DGT.FEM110	CARD, EL.CONTROLS DGT.FEM110	PLATINE STEUER. DGT.FEM110
164818	PAN. EST.	PANNEAU EXTÉRIEUR	EXTERNAL PANEL	ÄUSSERE TAFEL
164823	SCHEDA EL.	FICHE EL.	CARD, EL.	PLATINE
164825	SCHEDA EL.ENCODER F.FEM110	FICHE EL.ENCODER F.FEM110	CARD, EL.ENCODER F.FEM110	PLATINE ENCODER F.FEM110
164826	SCHEDA AL.	FICHE ALIMENT.	CARD, FEED.	KARTE, VERSORGUNG
165056	MASCHER.CRUS.FEM610	MASQUE TABLEAU	COVER DASH BOARD	ABDECKUNGSTIRNBRETT
165077	MOTORE VENT.FGM110+COND.M80/4E/C1531	MOTEUR VENT.FGM110+COND.M80/4E/C1531	MOTOR, FAN FGM110+COND.M80/4E/C1531	MOTOR, LÜFTER FGM110+KOND.M80/4E/C1531
165279	UGELLO LAVAGGIO	INJECTEUR LAVAGE	INJECTOR, WASH.	EINSPRITZER, SPÜL.
165281	UGELLO LAVAGGIO D1.5	INJECTEUR LAVAGE D1.5	INJECTOR, WASH. D1.5	EINSPRITZER, SPÜL. D1.5
165348	DISTANZ.FRONT.SCH.EL.	ENTRTOISE	SPACER	DISTANZSTÜCK
165597	FILTRO FONDO	FILTRE	FILTER	FILTER
165660	IS.EST.BOYLER FEM110	PROFIL ISOLANT	INSULATING BAND	ISOLIERPROFIL
165664	IS.INT.BOYLER FEM210	PROFIL ISOLANT	INSULATING BAND	ISOLIERPROFIL
165665	EROGATORE ACQ.LAV.INT.F.FGM610	DISTRIBUTEUR EAU LAV.INT.F.FGM610	WATER DISPENSER OV.INS.WASH FGM610	WASSERSPENDER INN.SPÜL. FGM610
165738	TU.AL.ROTORE LAV.F.FEM/FGM210L	TUYAU REF.ROTOR LAV.F.FEM/FGM210L	PIPE, ROTOR FEED. WASH. F.FEM/FGM210L	ZULEITUNGSROHR, ROTOR SPÜL. F.FEM/FGM210L
166012	SUPPORTO	SUPPORT	SUPPORT	HALTERUNG
167637	AS. CASSETTO SX INT. P.F.	GROUPE BASSIN GAUCHE	UNIT DRAWER LEFT	ZUSAMMEN FACH
167956	OR E5017/E100I NBR 56,52X5,34 550601031	O-RING	O-RING	O-RING
168119	SCHEDA EL. BIANCA (NO LAVAGGIO)	CARTE DE COMMANDE	ELECTRIC SCHEME	SCHALTPLAN
169462	SCHEDA CPU 256K	SCHEDA	SCHEME	SCHALTPLAN
170020	GABBIA P/TEGLIE+MANIG.FCV/20GN	CASIER P/PLAT A RÔTIR+POIGNEE FCV/20GN	RACK, ROASTING PAN HOLDER+OVEN HANDLE	KÄFIG, BACKFORM+OFENGRIF/20GN
170162	SUP.GRUPPO SCHEDA EL.	SUPPORT GROUPE CARTE	SUPPORT DISPLAY BOARD	TRÄGER KARTENGRUPPE
170247	PROTEZIONE GRUPPO IMPIANTI NEW	PROTECTION	PROTECTION	SCHUTZ
170522	MANOP.COND.FCV.NERA SWEET 242211-C1	BOUTON	KNOB	DREHGRIF
170831	BASETTA MANIGLIA F.MBM ZAMA CR.FINITA	EPAISSEUR POIGNÉE	HANDLE	HANDGRIF
170919	MANIGLIA F.FCV/2 MBM NEW - RAL7031/20	POIGNÉE	HANDLE	HANDGRIF
170955	MANOP.COM.F.SERIE DRIVE	POIGNEE COMMUT.F.SERIE DRIVE	KNOB, COMM.F.SERIES DRIVE	DREHKNOPF, UMSCH.F.REIHE DRIVE
171178	PANNELLO IS.INF.CAM.INT.FCG20	PANNEAU ISOLANT	INSULATING PANEL	ISOLIERENDE VERKLEIDUNG
171180	RAMPA SCARICO CONDENSA SUP.	PANNEAU ISOLANT	INSULATING PANEL	ISOLIERENDE VERKLEIDUNG
172218	FLANGIA USCITA SCAR.FORNI 200 MBM	DRAINAGE SORTI DE BRIDE	EXITED FLANGE DRAINAGE	HERAUSGENOMMENE FLANSCH-ENTWÄSSERUNG
172294	AS.CRUSCOTTO	PANNEAU DE CONTRÔLE	CONTROL PANEL	STIRNBRETT
172452	TUBO LAVAGGIO D.10 SP.1 INOX	TUBE LAVAGE	PIPE WASH	ROHR SPÜLDÜSE
172453	TUBO UMIDIFICATORE	TUBE HUMIDIFICATEUR	PIPE HUMIDIFIER	ROHR BEFEUCHTER
172458	LAM.PASSAGGIO TUBI IMPIANTI FGM210	COURT PIPE PLANT	SHORT PIPE PLANT	SHORT TUBE PLANT

COD.	IT	FR	GB	DE
172459	PARATIA BRUCIATORE FGM210	BRÛLEUR À CLOISON ÉTANCHE	BULKHEAD BURNER	SCHUTZWAND-BRENNER
172460	FASCETTA TUBI	BANDE	CLAMP	SCHELLE
172652	GR.IMP.+C.FGM210 2008	GROUPE CARTE	DISPLAY BOARD	KARTENGRUPPE
172654	GR.IMP.+C.FEM210 2008	GROUPE CARTE	DISPLAY BOARD	KARTENGRUPPE
172687	MAGNETOTERMICO 230V	INTERRUPTEUR MAGNETIQUE	SWITCH	SCHALTER
172737	RAMPA SC.COND.INF.FGM/FEM210	RAMPE DU DÉCHARGEMENT CONDENSE	RAMP OUTLET COND.	DUNSTHAUBE
172771	LAM.PASSAGGIO TUBI IMPIANTI POSTERIORE	COURT PIPE PLANT	SHORT PIPE PLANT	SHORT TUBE PLANT
172832	REGOLATORE ELETTROVALVOLA 0,5L	REGULATEUR DE DEBIT D'EAU 0,5L	PRESSURE REDUCER 0,5L	DURCHFLUSSMENGENREGLER 0,5L
172833	REGOLATORE ELETTROVALVOLA 1,2L	REDUCTEUR DE PRESSION 1,2L	PRESSURE REDUCER 1,2L	DURCHFLUSSMENGENREGLER 1,2L
173015	TUBO SCARICO ACQUA BOILER	TUBE DE DECHARGE DE L'EAU	WATER DISCHARGE PIPE	WASSERABLASSROHR
173195	RONDELLA OTTONE	RONDELLE	WASHER	SCHEIBE
173764	TUBO ACQUA (4 MT)	TUYAU DE CHARGEMENT DE L'EAU (4 M)	PIPE WATERINLET (4M)	ZULAUFSCHLAUCH REINIGUNGSSYSTEM (4 M)
173827	GUARNIZIONE PORTA	GUARNITUR POUR PORTE	DOOR GASKET	TÜRDICHTUNG
173961	CALOTTA ROTORE LAVAGGIO	CALOTTE ROTOR LAV.	ROTOR COVER	ROTORKALOTTE
175075	REGOLATORE LIV. BOYLER	RÉGULATEUR	REGULATOR	REGLER
175081	SQ.SUPPORTO LIMIT E MANOMETRO HFGI101	SUPPORT DU REGULATEUR	REGULATOR SUPPORT	REGLERHALTERUNG
175133	BOILER G.FGM210/1 N.L. 2009	BOILER	BOILER	BOILER
175137	BOILER E.FEM210/2 N.L. 2009	BOILER	BOILER	BOILER
175144	GR.ROTORE LAV.F.	ROTOR	ROTOR	ROTOR
175489	FERRITE PER FLAT CABLE	FERRITE	FERRITE	FERRIT
175659	FERRITE PER SONDA	FERRITE	FERRITE	FERRIT
175745	FILTRO EPCOS	FILTRE	FILTER	FILTER
175780	CENTRALINA ACC. FORNI	UNITÉ DE CONTRÔLE	CONTROL UNIT	ELEKTRONISCHE STEUEREINHEIT
175781	CAB.CORPO VALV.F.GAS	CÂBLE	CABLE	KABEL
176473	POMPA LAVAGGIO	POMPE DETERGENT	DETERGENT PUMP	REINIGERDOSIERER
176479	TU.ASPIRAZIONE/MANDATA (1,5 MT)	TUYAU D'ASPIRATION (1,5 M)	INTAKE HOSE (1,5 M)	ANSAUGSCHLAUCH FÜR REINIGER (1,5 M)
178098	VALVOLA NON RITORNO	VALVE DE NON RETOUR	ONE WAY VALVE	RÜCKFLUSSVERHINDERER
178099	TUBO MANDATA (0,35 MT)	TUYAU (0,35 M)	PIPE (0,35 M)	SCHLAUCH FÜR REINIGER (0,35 M)
178171	ELETTROVALVOLA 4 VIE	ELECTROVANNE 4 VOIES	4 WAYS SOLENOID VALVE	MAGNETVENTIL 4 WEGE
178189	SQ.FIS.CANDELETTE FORNI GAS	EGUERRE DE FIXAGE	BRACKET TO FIX	BEFESTIGUNGSWINKEL
178252	TU.AL.ACQ.BOYLER FEM210	TUBE DE CHARGEMENT DE L'EAU FEM210	PIPE WATERINLET FEM210	ROHR WASSERZUFLUSS FEM210
178255	TUBO LAVAGGIO FEM210	TUBE LAVAGE FEM210	PIPE WASH FEM210	ROHR SPÜLDÜSE FEM210
178257	E/VALV.LAVAGGIO	SOL.VALVE	ELECTROV.	E/VENTIL
178258	TU.EST.LAVAGGIO POST.F.FGM210	TUYAU EXT.LAVAGE	HOSE, OUTS.WASHING	SCHLAUCH, AUSS.SPÜLEN
178260	TU.UMIDIFICATORE INT.FEM210	HUMIDIFIER	HUMIDIFICATEUR	BEFEUCHTER
178262	RACC.DIR.3/4"F. + INN.RAP.TUBO Ø8	RACCORD	PIPE	FITTING
178263	INIET.UMIDIF.FCV D.1.5	INJECT., HUM.FCV D.1.5	INJECT.HUMIDIF.FCV D.1.5	EINSPR., BEFEUCHT.FCV D.1.5
178264	TU.AL.ACQ.UMIDIF.FEM210	TUYAU REF.EAU HUMIDIF.FEM210	PIPE, HUMIDIFIER WATER DELIVERY FEM210	WASSERZULEITUNGSRÖHR, BEFEUCHTER FEM210
178265	MOTORID. P34 1 CAMMA 230 VAC 1G/1+GIUN.	MOTOREDUCTEUR	GEARMOTOR	GETRIEBEMOTOR

COD.	IT	FR	GB	DE
178266	SUP.MOTORID.SCA.COND.FEM110	SUPPORT MOTOREDUCTEUR	BRACKET GEARMOTOR	UNTERSETZUNGSGETRIEBE
178267	TU.AL.ACQ.BOYLER FGM210	TUBE DE CHARGEMENT DE L'EAU FGM210	PIPE WATERINLET FGM210	ROHR WASSERZUFLUSS FGM210
178268	TUBO INF.CAR.BOYLER FGM210	TUBE BOILER FGM210	PIPE BOILER FGM210	ROHR BOILER FGM210
178269	TU.AL.ACQ.UMIDIF.FGM210	TUYAU REF.EAU HUMIDIF.FGM210	PIPE, HUMIDIFIER WATER DELIVERY FGM210	WASSERZULEITUNGSRÖHR, BEFEUCHTER FGM210
178271	TUBO LAVAGGIO FGM210	TUBE LAVAGE FGM210	PIPE WASH FGM210	ROHR SPÜLDÜSE FGM210
178284	LAM.PARASPRUZZI RESISTENZE FEM110	TÔLE DE PROTECTION	PROTECTIVE PLATE	SCHUTZBLECH
178320	SQUADRETTA	SUPPORT	SUPPORT	HALTERUNG
178330	COPERTURA FILTRO	PROTECTION	PROTECTION	SCHUTZ
178335	SQUADR.FISS.ELETTROV.LAV.	EQUERRE	PLATE	AUFSPANNWINKEL
178336	ALBERO MOTORID.VALV.FARFALLA	ARBRE	SHAFT	WELLE
178923	ASTA TRAS.SCA.COND.FEM110	BARRE TRANS.VID.EAU DE COND.FEM110	ROD, COND.DRAIN FEM110	STAB, KOND.ABL. FEM110
179017	TU.LAV.POST.FEM210	TUBE LAVAGE	PIPE WASH	ROHR SPÜLDÜSE
182146	RACCORDO A "T"	RACCORD	FITTING	T-STÜCK REIIGUNGSSYSTEM
182402	ELETTROVALVOLA LAVAGGIO	ELECTROVANNE	SOLENOID VALVE	MAGNETVENTIL
182666	TUBO	TUYAU	PIPE	SCHLAUCH
GAFOC00027	AS.C/FORO CASS.FCV/1	C/TROU TIROIR FCV/1	DRAWER HOLES FCV/1	LÖCHER, SCHUBFACH FCV/1
GAFOC00030	AS.CERN.SUP.SX P.F.FCV.	CHARNIERE SUP.GAUCHE P.F.FCV.	HINGE, UPPER LH	SCHARNIER, OBEN LINKS
GAFOC00051	AS. SERRATURA P.F.	ENSEMBLE VERROUILLAGE P.F.	LOCKING MECHANISM	GRUPPE OFENTÜRSCHLOSS
GAFOC00053	AS.SUP.VENT.FEC200 ZINC.	VENT.FEC200 GALV.	SUPPORT, FAN FEC200 GALV.	HALTERUNG, GEBL. FEC200 VERZ.
GAFOC00126	AS.BASAM.FEC200	ENSEMBLE BASE	TOGETHER BASE	ZUSAMMEN UNTERSEITE
GAFOC00143	AS.COPERCHIO GAS	COUVERCLE EXT.	COVER EXT.	ABDECKUNG
GAFOC00144	AS.CAMINO INT.FGC200	ENSEMBLE CHEMINÉE	TOGETHER FIREPLACE	ZUSAMMEN KAMIN
GAFOC00145	AS.COPERCHIO ELETTRICO	COUVERCLE EXT.	COVER EXT.	ABDECKUNG
GAFOC00146	AS.CAMERA COMB.BOYLER FGM200	COMBUSTION CHAMBER	CHAMBRE DE COMBUSTION	BRENNKAMMER
GAFOC00257	AS.TIRANTE FONDO CAMERA FORNO	TIRANT	TIE	ZUGSTAB
MPGOM03P00	TUBO GOMMA Ø 10X17 10ATM	LE CAOUTCHOUC DE TUBE	TUBE RUBBER	SCHLAUCH-GUMMI
PAFOC00181	TRA.A/GOCCIA SX FACC.FCV2	ENSEMBLE TIROIR INF.R/GOUTTE P.F.	CAVITY DRIP TRAY	GRUPPE UNTERES FACH
PAFOC00211	SQ. REGOL. VALVOLA PESO	SUPPORTE DE LA VALVE GAS	VALVE UNIT SUPPORT	GASVENTILHALTERUNG
PAFOC00250	CAND.RIL.BRU.B.FGM109/95 15405	ELECTRODE DÉTECTION	SPARK PLUG DI RILEVAZ.	ZÜNDKERZE
PAFOC00283	POSTERIORE INOX FEC200	ARRIÈRE	POSTERIOUR	HINTEN
PAFOC00284	FIANCO FEC200	CÔTÉ DROITE-GAUCHE	SIDEPANEL RIGHT-LEFT	SEITENTEIL RECHTS-LINKES
PAFOC00289	CONV.ARIA FEC200	CONVOYEUR AIR	AIR CONVEYOR	LUFTFÖRDERER
PAFOC00323	COPERCHIO ISP.CAMINO FGC200	CHEMINÉE DE COUVERTURE	COVER FIREPLACE	ABDECKUNGS-KAMIN
PAFOC00325	COPERCHIO CAM.COMB.FGC200	COUVERCLE	COVER	BECKENABDECKUNG
PAFOC00326	DEVIATORE FUMI FGC200	FUMÉE DE DÉRIVATEUR	SHUNTER SMOKE	RANGIERER-RAUCH
PAFOC00329	DISCO SCARICO COND.FEC200	DISQUE VIDANGE EAU DE COND.FEC200	DISC, COND. DRAIN FEC200	SCHEIBE, KOND.ABLASS FEC200
PAFOC00342	CONV.ARIA FGC200	CONVOYEUR AIR	AIR CONVEYOR	LUFTFÖRDERER
PAFOC00343	PROTEZIONE CAMINO INTERNO	PROTECTION CHEMINÉ	PROTECTION CHIMNEY	KAMIN SCHUTZ
PAFOC00355	SUP.BOYLER FGM200	CHEMINÉE BOILER	CHIMNEY BOILER	KAMIN BOILER

COD.	IT	FR	GB	DE
PAFOC00364	SUP.CORPO V.FGM202	SUPPORTE DE LA VALVE GAS	VALVE UNIT SUPPORT	GASVENTILHALTERUNG
PAFOC00367	CAND.ACC.BRU.F.FGM202/89 15401	BOUGIE D'ALLUMAGE BRÛL.F.FGM202	SPARK PLUG, BURN.F.FGM202	ZÜNDKERZE, BRENN.F.FGM202/89 15401
PAFOC00368	CAND.RIL.BRU.F.FGM202/111 15406	BOUGIE D'ALLUM. DECL.BRÛL.FGM202	SPARK PLUG, REL.BURN.FGM202	KERZE, BRENN.FREIG.FGM202/111 15406
PAFOC00465	VISORE CAMERA COMB.FGC200	DOUILLE	SPY-HOLE	MONITOR
PAFOC00632	PROTEZ.BULBO TERM.FGC200	EGUERRE DE FIXAGE	BRACKET TO FIX BULB	BEFESTIGUNGSWINKEL
PAFOC00680	DISCO INF.SCARICO COND.FEMD100	DISQUE INF.VIDANGE EAU DE COND.FEMD100	DISC, INF.SCARICO COND.FEMD100	SCHEIBE, UNT. KOND.ABLASS FEMD100
PAFOC00698	FLANGIA FIS.TU.PROT.SCAMB.FCV2	BRIDE	FLANGE	FLANSCH
PAFOC00699	PROTEZ.TU.SCAMBIATORE FGC200/1	ECHANGEUR DE PROTECTION	EXCHANGER PROTECTION	EXCHANGER SCHUTZ
PAFOC00700	DEFLETTORE BRUC.FGC200/1	CHICANE BURNER	BAFFLE PLATE	HINTERES STAUBLECH
PAFOC00726	SQ.FIS.PAN.IS.CAM.INT.FCG6	EQ.FIX.PANNEAU IS.CHEMINEE INT.FCG6	BRACK., FIX.PAN.INS.CHIMNEY FCG6	BEF.WINKEL, ISOL.PLATTE INN.SCHORNSTEIN FCG6
RIC0003591	RELAIS ST.MOT.25A 24-520VAC-SC76211031	RELAIS ST.MOT.25A 24-520VAC-SC	RELAY, ST.MOT.25A 24-520VAC-SC	*STATISCHES RELAIS, MOT.25A 24-520VAC-SC76211031
RIC0003593	RELE' STATICO 75A 400VAC	RELAIS	RELAY	RELAIS
RIC0003594	MORSETTIERA	CONNECTION DES CABLES	TERMINAL BOARD	KLEMMBRETT
RIC0003595	MORSETTIERA	CONNECTION DES CABLES	TERMINAL BOARD	KLEMMBRETT
RIC0003609	FUSIBILE 10A RITARD. DRIVE T10AHPC	*FUSIBLE 10A RETARD. DRIVE T10AHPC	FUSE, 10A DELAY. DRIVE T10AHPC	*SICHERUNG, 10A TRÄGE, DRIVE T10AHPC
RIC0004308	SCHEDA EL. RELAIS F. GAS	CARTE RELAIS	SCHEME RELAY	SCHALTPLAN RELAIS
RIC0004514	KIT RETROFIT SUPP.S/CUORE F.	SUPPORT	SUPPORT	HALTERUNG
RTBF800071	GOMITO FE.FF.1/2"ZINC.	COUDE FE.FF.1/2"GALV.	ELBOW, FE.FF.1/2"GALV.	KNIESTÜCK, FE.FF.1/2"VERZ.
RTBF800076	T.LIMIT	THERMOSTAT LIMIT	THERMOST.LIM.	ENDSCHALTER, THERMOSTAT
RTBF800138	F/CAVO PG21 53015050+D53019050C	ARRÊT DU CABLE	CHOCK	KABELDURCHGANG
RTBF800139	F/CAVO PG13	ARRÊT DU CABLE	CHOCK	KABELDURCHGANG
RTBF900054	VISORE+VET+2GUARN.509.130 18160401000	DOUILLE	SPY-HOLE	MONITOR
RTCP800118	TU.FLES+G.AL.RUB.VAP.MF3/4"245 008580	TUYAU	PIPE FLEXIBLE	ROHR FLEXIBEL
RTCP900087	NIPLES CP OT/M/1/2"XM20/D.14	NIPLES CP OT/M/1/2"XM20/D.14	NIPPLE CP OT/M/1/2"XM20/D.14	NIPPEL CP MESS./M/1/2"XM20/D.14
RTCP900088	BICONO D.14 CP	BICÔNE D.14 CP	BICONE, D.14 CP	ZWEIKEGEL D.14 CP
RTCP900089	CALOTTA OT.D.14 CP	ECROU LAITON D.14 CP	NUT, Br.D.14 CP+J7388	MUTTER, MESS. D.14 CP
RTCU900012	BICONO D.10	BICONE Ø10	BICONE, D.10	ZWEIKEGEL D.10
RTCU900013	CALOTTA D.10	ECROU LAITON D.10	NUT, Br.D.10	MUTTER, MESS. D.10
RTCU900018	BICONO D.6 PEL0905	BICONE Ø6	BICONE Ø6	ZWEIKEGEL Ø6
RTFOC00001	BUSSOLA SUP.PORTA FCV.	FOURREAU PORTE	DOOR BUSH	TÜRBUCHSE
RTFOC00005	ZOCCOLO EST.SER.P.FCV.020945	SOCLE EXT.SERR.P. FCV.020945	SOCLE, OUT. PLINTH FCV.020945	SOCKEL, AUSS. SER.P.FCV.020945
RTFOC00009	GANCIO FISSO SER.P.FCV.010218	CROCHET FIXE SERRURE PORTE FCV.010218	HOOK, FIX, OVEN DOOR LOCK 010218	HAKEN, FEST OFENTÜRVERRIEG. 010218
RTFOC00020	CALOTTA UMIDIF.FCV.	ECROU	NUT	MUTTER
RTFOC00035	MICROINT.FCV.NR 6K5	MINIRUPT.FCV.NR 6K5	MICROSWITCH NR 6K5	MIKROSCHALTER FCV.NR 6K5
RTFOC00049	DADO FIS.BIC+RACC.FCV.	ECROU FIX.BÍC.+RACC.FCV.	NUT, FIX.BIC+UNION OVEN	SCHRAUBENMUTTER, BEF.BIC+VERBINDUNGSST.OFEN
RTFOC00057	ZOCCOLO CENT.SER.P.FCV.020944	SOCLE, CENTR.PLINTH FCV.020944	SOCLE CENTR.SERR.P.FCV.020944	SOCKEL, ZENTR.SER.P.FCV.020944
RTFOC00100	GUARNIZ.AS.RAMPA FGC060	JOINT TUYAU PRINCIPAL FGC060	GASKET, MAIN PIPE FGC060	DICHTUNG, RAMPE FGC060
RTFOC00150	R.BOY.FEM.7,5KW230 -UL- 1GEL7D201004	RESISTANCE 7,5 KW230	RESISTANCE 7,5 KW 230	WIEDERSTAND 7,5KW230
RTFOC00173	T.L.FEM061 Tø120 5510522835	THERMOSTAT LIMITATEUR.	THERMOSTAT LIMIT.	TERMOSTAT

COD.	IT	FR	GB	DE
RTFOC00186	DADO 3/4"	ECROU3/4"	NUT 3/4"	MUTTER 3/4"
RTFOC00201	VETRO P/LAMPADA FCV.	VERRE PORTE-LAMPE FCV.	GLASS, LAMP-HOLDER FCV.	GLAS, LAMPENFASSUNG FCV.
RTFOC00203	ELETTROVALVOLA 2 VIE	ELECTROVANNE 2 VOIES	2 WAYS SOLENOID VALVE	MAGNETVENTIL 2 WEGE
RTFOC00212	VALVOLA PESO	VALVE	VALVE	VENTIL
RTFOC00213	GUARNIZIONE VALVOLA PESO	GARNITURE	GASKET	DICHTUNG
RTFOC00214	ASTA ATTACCO VALVOLA PESO	BARRE VALVE	ROD VALVE	STAB VENTIL
RTFOC00254	VENT.CALORE FEM109	VENT.CHALEUR FEM109	FAN, HEAT. FEM109	LÜFTER, WÄRME FEM109
RTFOC00256	CONDENSATORE FCVEM CRU26231943 0,12 MF	CONDENSATEUR FCVEM CRU26231943 0,12 MF	CONDENSER FCVEM CRU26231943 0,12 MF	KONDENSATOR FCVEM CRU26231943 0,12 MF
RTFOC00258	CORPO V.FGM69/0822112	CORPS SOUP.FGM69/0822112	VALVE HOUS. HOUS., FGM69/0822112	VENTILGEH. FGM69/0822112
RTFOC00287	GRIGLIA F.FCV.2/1 INOX	GRILLE F.FCV.2/1 INOX	GRID, OVEN 2/1 INOX	ROST, OFEN 2/1 INOX
RTFOC00301	ANELLO TENUTA ALB.MOT.FGC060	BAGUE D'ETANCHEITE ARBRE MOT.FGC060	RING, SEAL FOR DRIV.SHAFT FGC060	DICHTUNGSRING, ANTRIEBSWELLE FGC060
RTFOC00307	R.FEC200 21,6KW 1G1K3F933001	RESISTANCE 721,6 KW	RESISTANCE 21,6KW	WIEDERSTAND 21,6 KW
RTFOC00313	TU.UMIDIFICATORE EST.FEC200	TUYAU HUMIDIFICATEUR EXT.FEC200	PIPE, HUMID., OUTS.FEC200	ROHR, BEFEUCHT., AUSS.FEC200
RTFOC00316	DISTANZ.GUIDA P/GABBIA FEC200	ENTRTOISE	SPACER	DISTANZSTÜCK
RTFOC00323	GRIGLIA PROT.VENT.FCV20G.INOX	GRILLE PROT.VENT.FCV20G.INOX	GRID, OVEN PROT.20G.INOX	ROST, GEBL.SCHUTZ FCV20G.INOX
RTFOC00326	AS.SUP.INIET.F.FGC200 ZINC.	SUPPORT INJECTEUR	SUPPORT INJECTOR	HALTERUNG EINSPRITZER
RTFOC00331	TU.AL.BRUC.FGC200	TUYAU D'ALIMENTATION DU BRÛLEUR	BURNER CHAMBER PIPE	ROHR KAMMER
RTFOC00332	BRUC.FGC200 103189310	BRÛL.FGC200 103189310	BURNER FGC200 103189310	BRENNER FGC200 103189310
RTFOC00334	AT.RAPIDO K1610/TA16/C16X	FIX.RAPIDE K1610/TA16/C16X	CONN., FAST K1610/TA16/C16X	SCHNELLBEFESTIGUNG K1610/TA16/C16X
RTFOC00337	ANELLO INT.GRADINO MAN.P.F.FCV	BAGUE INT.POUR POIGNEE PORTE FOUR FCV	RING, INS. FOR KNOB	RING, INN. FÜR DREHKNOPF
RTFOC00338	ANELLO EST.MAN.P.F.FCV.	BAGUE EXT.POIGNEE PORTE FOUR FCV.	RING, OUT.ADHESIVE FOR KNOB FCV.	RING, AUSS. DREHKNOPF FCV.
RTFOC00349	CAMINO SUP.FGC200	CHEMINÉE SUPÉRIEURE	SUPERIOR CHIMNEY	OBERSCHORNSTEIN
RTFOC00350	RAMPA GAS	RAMPE DU GAZ	RAMP GAS	RAMPE GAS
RTFOC00352	TU.AL.BRUC.BOYLER FGM200	TUYAU D'ALIMENTATION DU BRÛLEUR	BURNER CHAMBER PIPE	ROHR KAMMER
RTFOC00382	CORNICE FIS.VETRO P/LAMP.FCV	CADRE FIX.VERRE PORTE-LAMPE FCV	FRAME, OV. LAMPHOLDER GLASS FCV	RAHMEN, BEF. GLAS LAMPENFASS. FCV
RTFOC00444	PANNELLO IS.ANT.BOYLER FCVM	PANNEAU ISOLANT	INSULATING PANEL	ISOLIERTAFEL
RTFOC00445	PANNELLO IS.SX BOYLER FCVM	PANNEAU ISOLANT	INSULATING PANEL	ISOLIERTAFEL
RTFOC00446	PANNELLO IS.POST.BOYLER FCVM	PANNEAU ISOLANT POSTERIEUR	BACK INSULATING PANEL	HINTERE ISOLIERTAFEL
RTFOC00447	PANNELLO IS.DX BOYLER FCVM	PANNEAU ISOLANT	INSULATING PANEL	ISOLIERTAFEL
RTFOC00483	T.L.FCV/1T350 5510562800	THERMOSTAT LIMIT SW. FCV/1T350 5510562800	THERMOST.LIM.FCV/1T350 5510562800	ENDSCHALTER, THERMOSTAT FCV/1T350 5510562800
RTFOC00514	DISTANZ.INF/SUP SERR	ENTRETOISE .SERRURE FGC060/1	SPACER, LOCK.GC060/1	ABSTANDSSTÜCK, .VERRIEG.GC060/1
RTFOC00515	DISTANZ.CENT.SERR.FGC060/1	ENTRETOISE CENTR.SERRURE FGC060/1	SPACER, CENTR.LOCK.GC060/1	ABSTANDSSTÜCK, ZENTR.VERRIEG.GC060/1
RTFOC00520	ELETTROVALVOLA 3 VIE	ELECTROVANNE 3 VOIES	3 WAYS SOLENOID VALVE	MAGNETVENTIL 3 WEGE
RTFOC00556	PIEDINO+T.FGC200/185 1"1/2	PIED	FOOT	FUSS
RTFOC00624	REGOLATORE PRES.FGMD MW5208001	REGULATEUR PRESSION	PRESSURE REGULATOR	DRUCKREGLER
RTFOC00625	MANOMETRO FGMD W18921180	MANOMÈTRE	MANOMETER	SICHERHEITSVENTIL
RTFOC00626	RACCORDO P/GOMMA	RACCORD	FITTING	STÜCK REIIGUNGSSYSTEM
RTFOC00730	TU.PROTEZ.SCAMB.FGC200/1	PROTECTION DE TUBE	TUBE PROTECTION	SCHLAUCH-SCHUTZ
RTFOC00762	PANNELLO IS.COP.ISPEZ.FGMD207	PANNEAU ISOLANT	INSULATING PANEL	ISOLIERTAFEL

COD.	IT	FR	GB	DE
RTFOC00774	PANNELLO IS.ANT.CAM.INT.FCG20	PANNEAU ISOLANT AVANT	FRONT INSULATING PANEL	VORDERE ISOLIERENDE VERKLEIDUNG
RTFOC00777	PANNELLO IS.SUP.CAM.INT.FCG20	PANNEAU ISOLANT AVANCÉ	ADVANCED INSULATING PANEL	VORGERÜCKTE ISOLIERENDE VERKLEIDUNG
RTMIN00114	DADO M6ES.CIECO INOX	ECROU M6ES.BORGNE INOX	NUT, M6ES.CAP NUT INOX	HUTMUTTER, M6ES. INOX



= RICAMBI CONSIGLIATI

= PIÈCES DE RECHANGE RECOMMANDÉES

= RECOMMENDED SPARE PARTS

= EMPFOHLENE ERSATZTEILE