

# FME1500R SERVICE PARTS

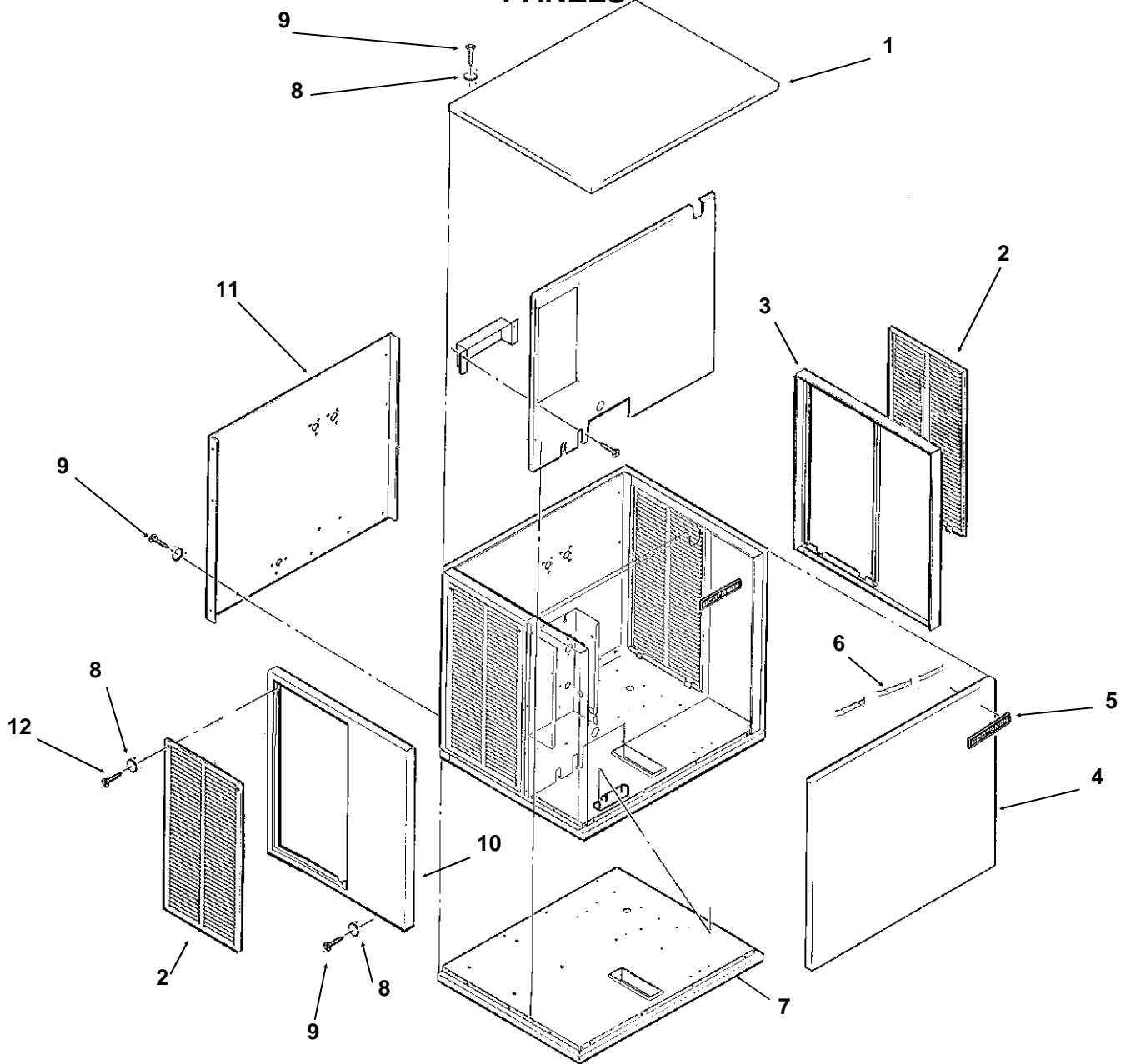
This parts list contains the part numbers and descriptions of the service parts for the FME1500R remote ice machine.

**Note: The liquid line filter drier listed in this parts list is designed for this refrigeration system. Premature failure may result if the wrong drier is used.**

## Table of Contents

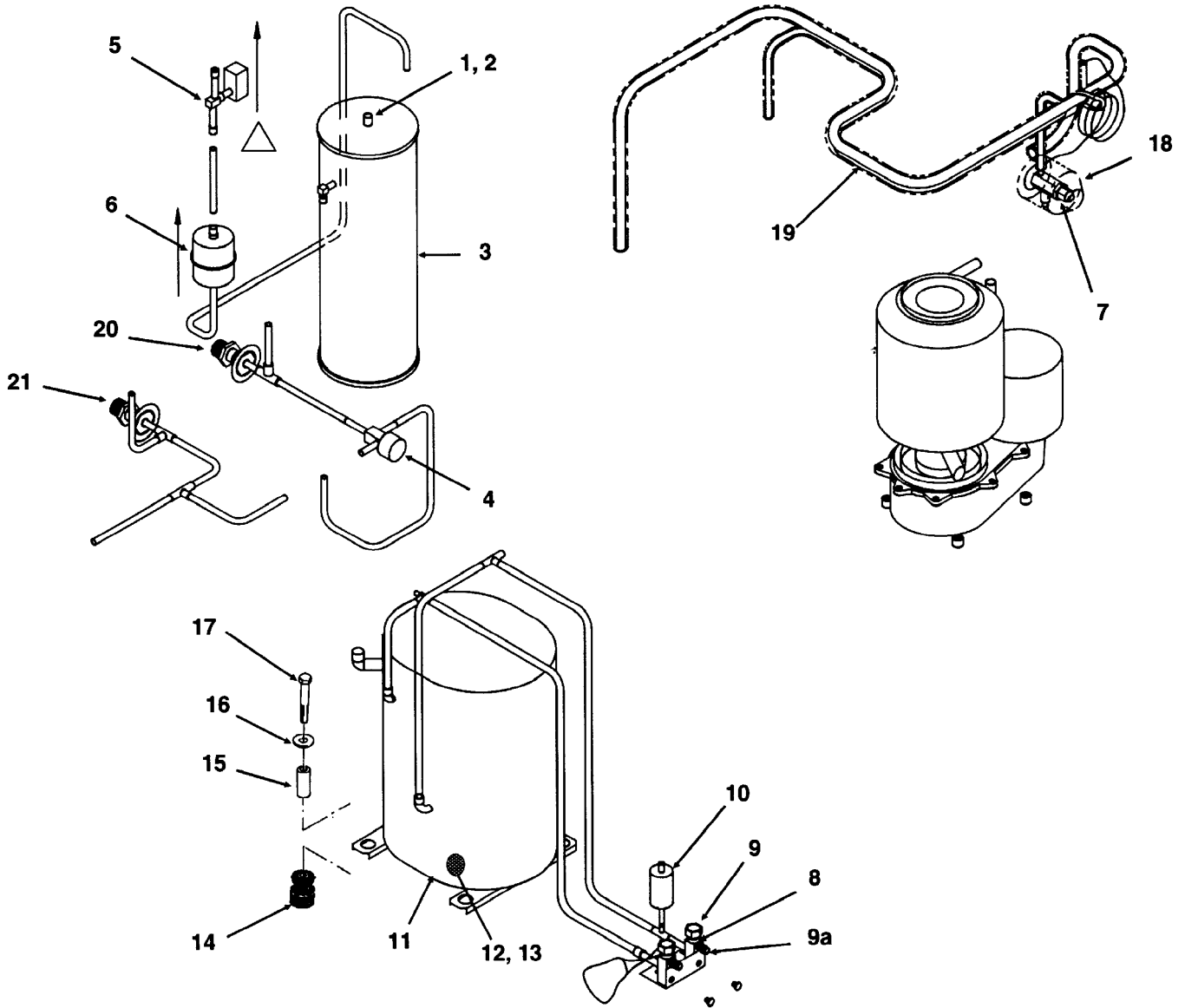
PANELS . . . . .	2
REFRIGERATION . . . . .	3
EVAPORATOR . . . . .	4
CONTROL BOX . . . . .	5
GEARMOTOR . . . . .	6
RESERVOIR, DRAINS, ICE CHUTE, ICE LEVEL SENSORS . . . . .	7
REMOTE CONDENSER . . . . .	8
WIRING DIAGRAMS . . . . .	9

# FME1500R SERVICE PARTS PANELS



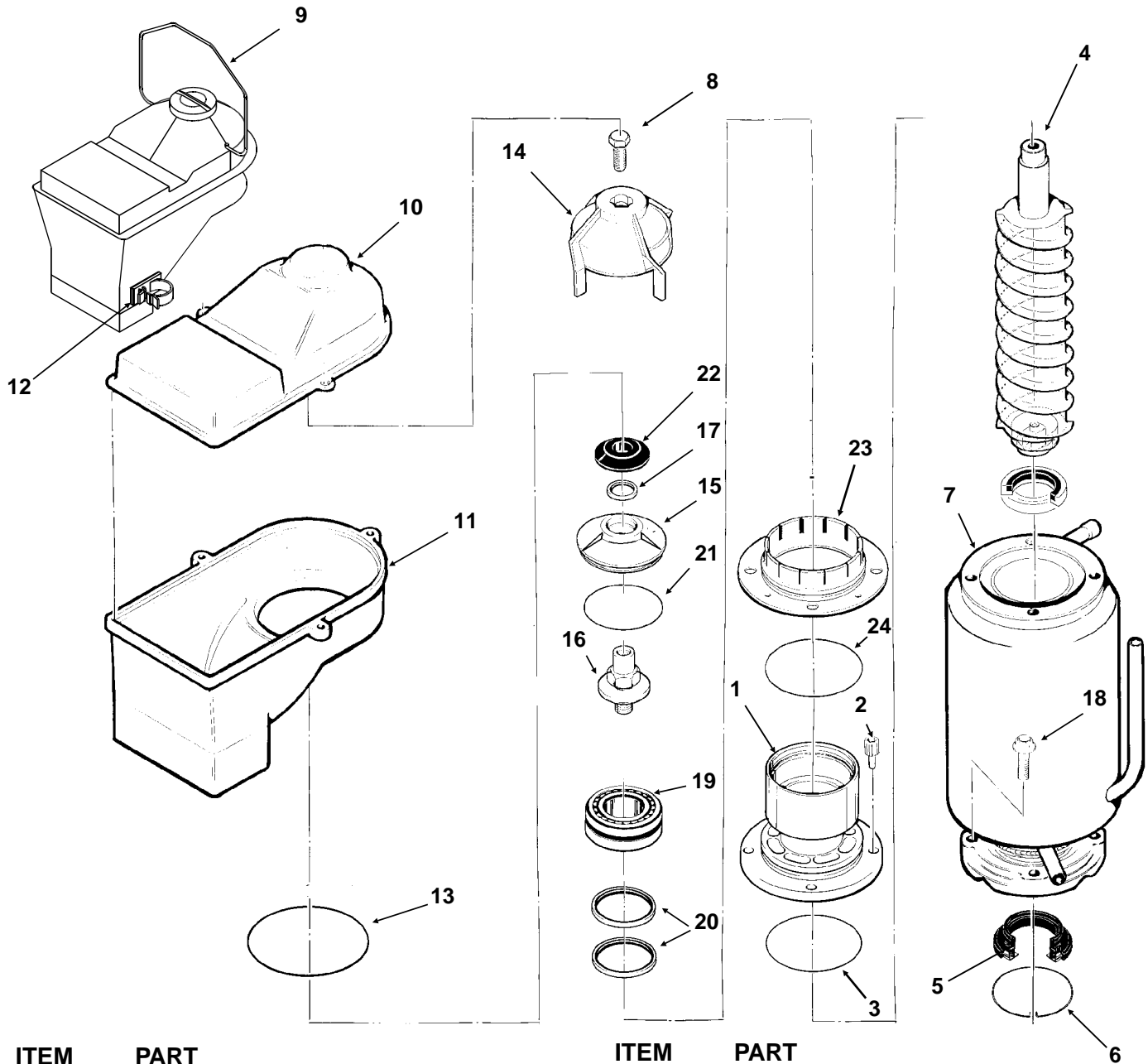
ITEM NUMBER	PART NUMBER	DESCRIPTION	ITEM NUMBER	PART NUMBER	DESCRIPTION
1.	A32159-001	Top Panel Painted	7.	A35955-001	Base Assembly
	A32159-002	Top Panel Stainless	8.	03-1417-27	Washer
2.	A32161-001	Service Panel Paint	9.	03-1531-01	Screw
	A33946-002	Service Panel for S.S.	10.	A32163-001	Left End Panel Pt.
3.	A32162-001	Right End Panel Pt.		A32163-002	Left End Panel S.S.
	A32162-002	Right End Panel S.S.	11.	A32201-001	Back Panel
4.	A32160-001	Front Panel Painted	12.	03-1404-12	Screw
	A32160-002	Front Panel S.S.			
5.	15-0711-01	Emblem for painted			
	15-0711-02	Emblem for stainless			
6.	03-0271-00	Clip For Emblem (3)			

# FME1500R SERVICE PARTS REFRIGERATION



ITEM NUMBER	PART NUMBER	DESCRIPTION	ITEM NUMBER	PART NUMBER	DESCRIPTION
1.	03-1406-13	Nut	12.	12-2308-01	Heater
2.	03-1410-06	Washer	13.	12-2309-01	clip
3.	16-0761-01	Receiver	14.	18-2200-28	Grommet
4.	11-0422-25	Lo Temp Valve	15.	18-2200-27	Sleeve
5.	12-2135-22	Liquid Line Valve	16.	03-1407-07	Washer
6.	02-3319-02	Drier	17.	03-1405-20	Bolt
7.	11-0482-21	Thermo. Exp. Valve	18.	A31961-020	TXV insulation
8.	16-0832-20	Access valve	19.	no number	Suction line
9.	16-0832-02	Stem cap	20.	16-0850-03	Quick connect, 3/8"
9a.	16-0832-03	Core cap	21.	16-0850-01	Quick connect, 1/2"
10.	11-0485-21	High Press. Switch	Not shown, parts to attach receiver:		
11.	18-8726-23	Compressor 208-230/60/1 (includes item 12)		03-1645-01	Screw
				03-1417-09	Washer
				A31801-002	Lower Bracket

# FME1500R SERVICE PARTS EVAPORATOR

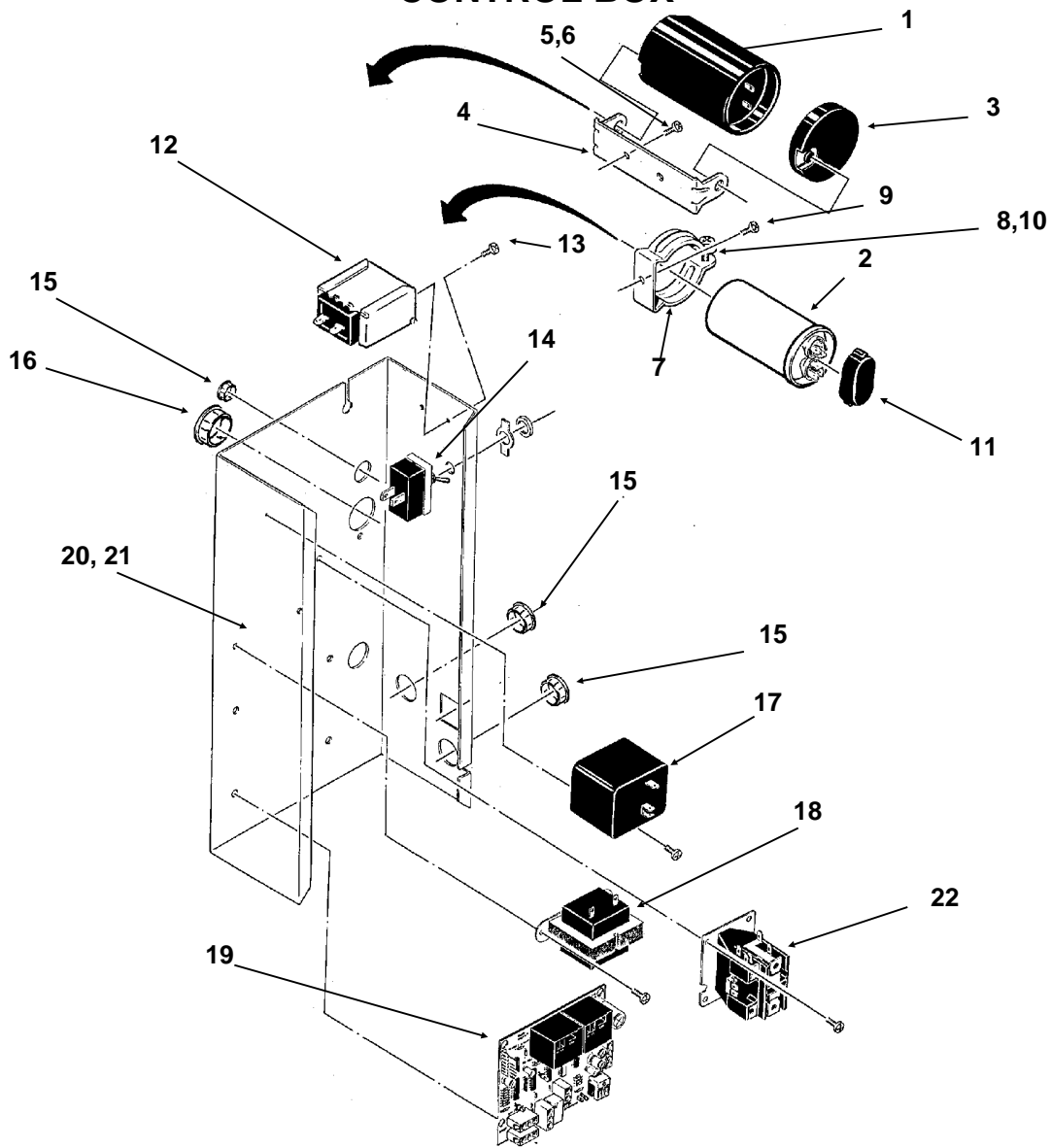


ITEM NUMBER	PART NUMBER	DESCRIPTION
1.	A34505-020	Breaker Includes Items 19 & 20
2.	03-1544-08	Soc. head Screw
3.	13-0617-45	O-ring
4.	02-3003-01	Auger
5.	02-0929-03	Water Seal
6.	A32777-001	Ring, Water Seal
7.	A32890-020	Evaporator
8.	03-1405-52	Hex Cap Screw
9.	A34969-001	Bail clamp
10.	02-2930-04	Ice Chute Cover
11.	02-3841-01	Ice Chute Body

ITEM NUMBER	PART NUMBER	DESCRIPTION
12.	02-3268-01	Drain hose clip
13.	13-0617-52	O-ring
14.	02-3001-01	Ice Sweep
15.	02-3128-01	Breaker Cover
16.	08-0660-01	Auger Stud
17.	02-2978-01	Lip Seal
18.	03-1420-03	Cap screw
19.	A34559-020	Bearing
20.	02-2977-01	Lip Seal
21.	13-0617-54	O-Ring
22.	13-0871-01	Water Shed
23.	02-2916-01	Slotted collar
24.	13-0617-49	O-ring

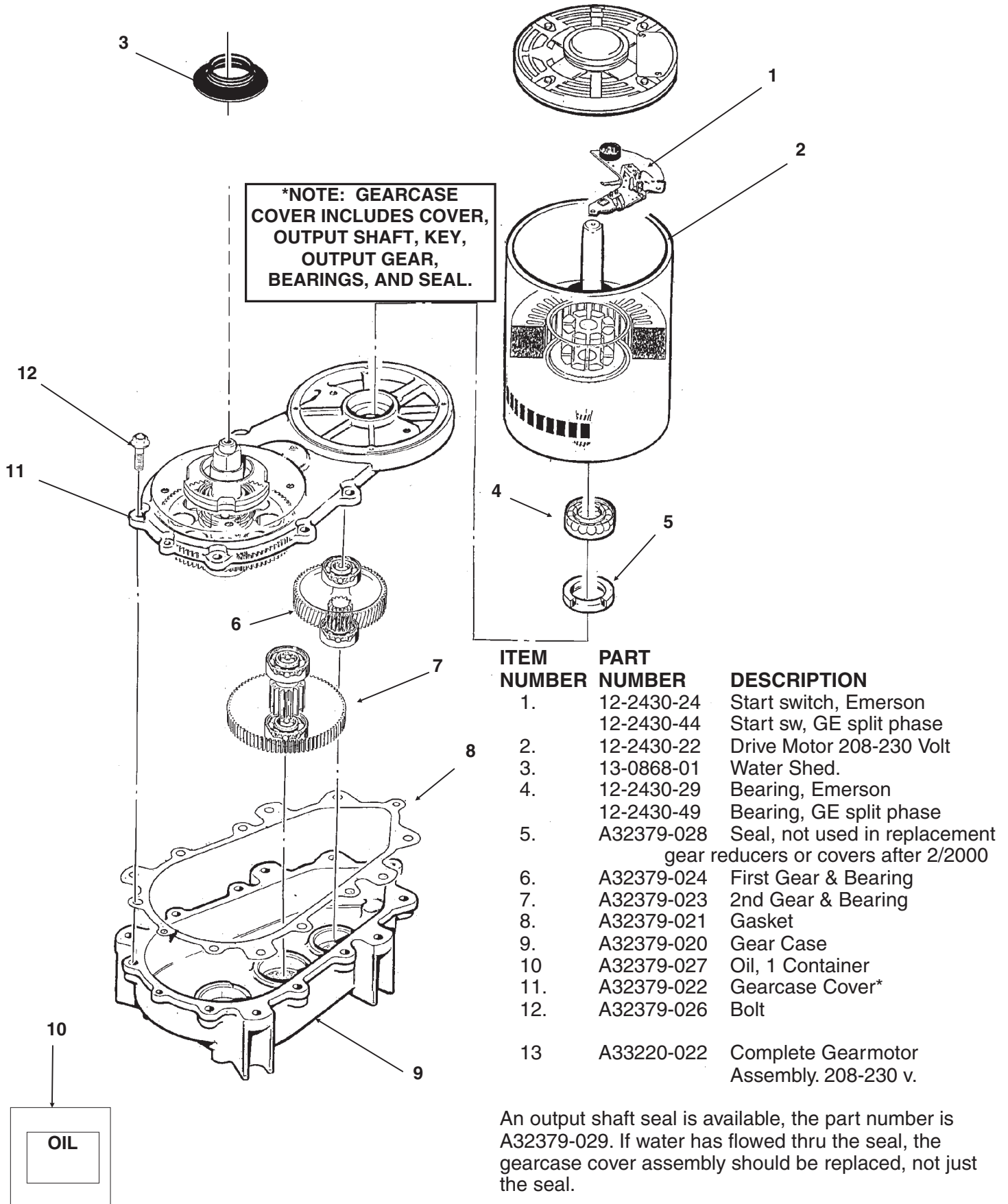
**Note:** Evaporator is not available assembled with internal parts.

# FME1500R SERVICE PARTS CONTROL BOX



ITEM NUMBER	PART NUMBER	DESCRIPTION	ITEM NUMBER	PART NUMBER	DESCRIPTION
1.	18-1901-15	Start Capacitor	15.	12-1213-10	Snap Bushing
2.	18-1902-53	Run Capacitor	16.	12-1213-11	Snap Bushing
3.	18-4300-50	Start Capacitor Cap	17.	18-1903-33	Relay
4.	18-2200-39	Start Cap. Bracket	18.	12-2285-22	Transformer
5.	03-1638-04	Screw	19.	A37750-021	Circuit Board
6.	03-1417-15	Lockwasher	20.	No Number	Control Box
7.	A32872-001	Run Cap. Bracket	21.	A32896-001	Cont. Box Cover
8.	03-1652-02	Bolt	22.	12-2469-02	1 Phase Contactor
9.	03-1638-03	Screw			
10.	03-0255-04	Wing Nut	NOT ILLUSTRATED		
11.	13-0666-00	Terminal Cover	23.	12-2337-02	3 pin plug assy (safety circuit to circuit board)
12.	11-0420-24	Pump Down Control	24.	12-2340-01	4 pin plug assy (transformer to circuit board)
13.	03-1403-02	Screw			
14.	12-0426-01	Master Switch			

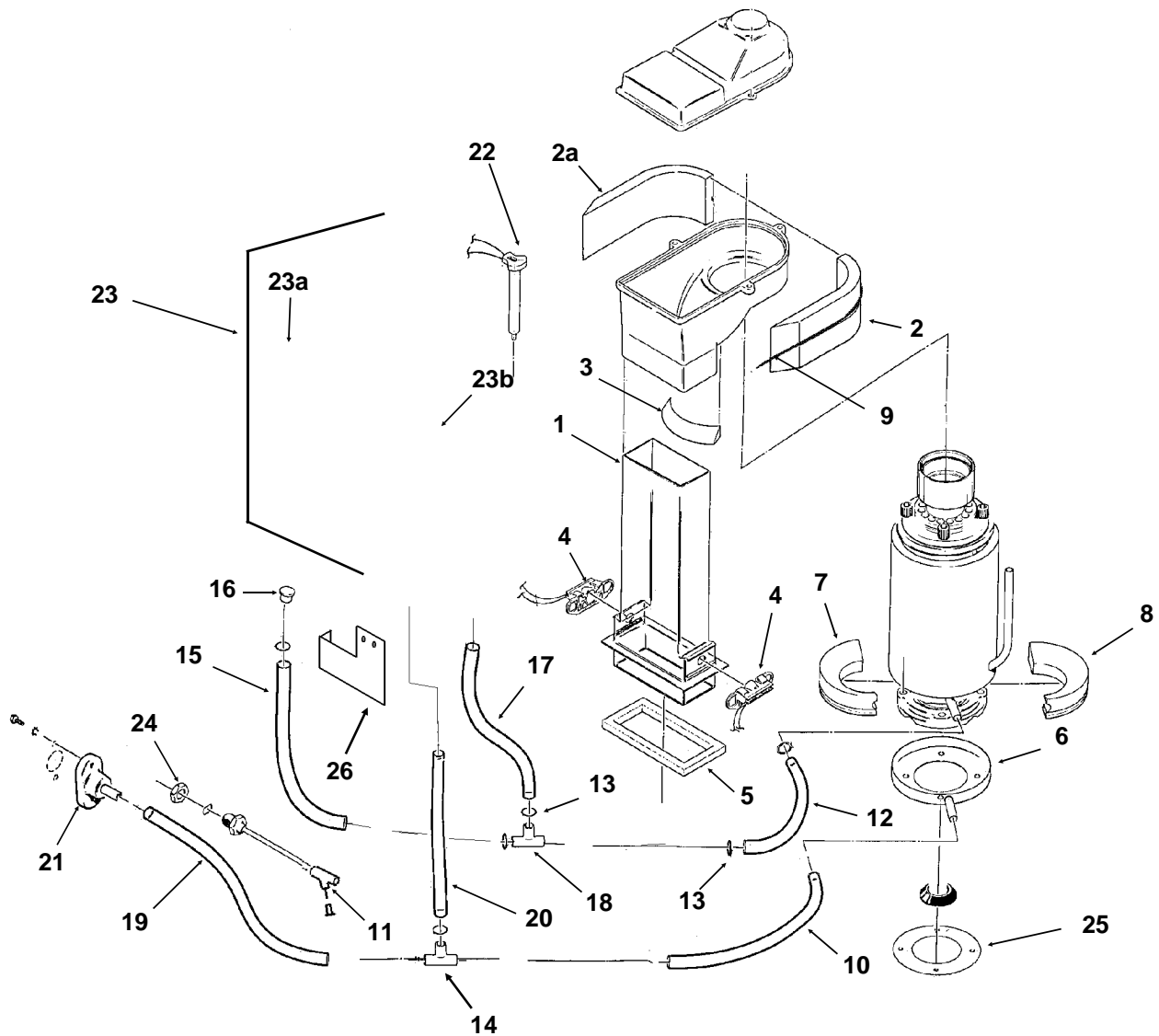
# FME1500R SERVICE PARTS GEARMOTOR



An output shaft seal is available, the part number is A32379-029. If water has flowed thru the seal, the gearcase cover assembly should be replaced, not just the seal.

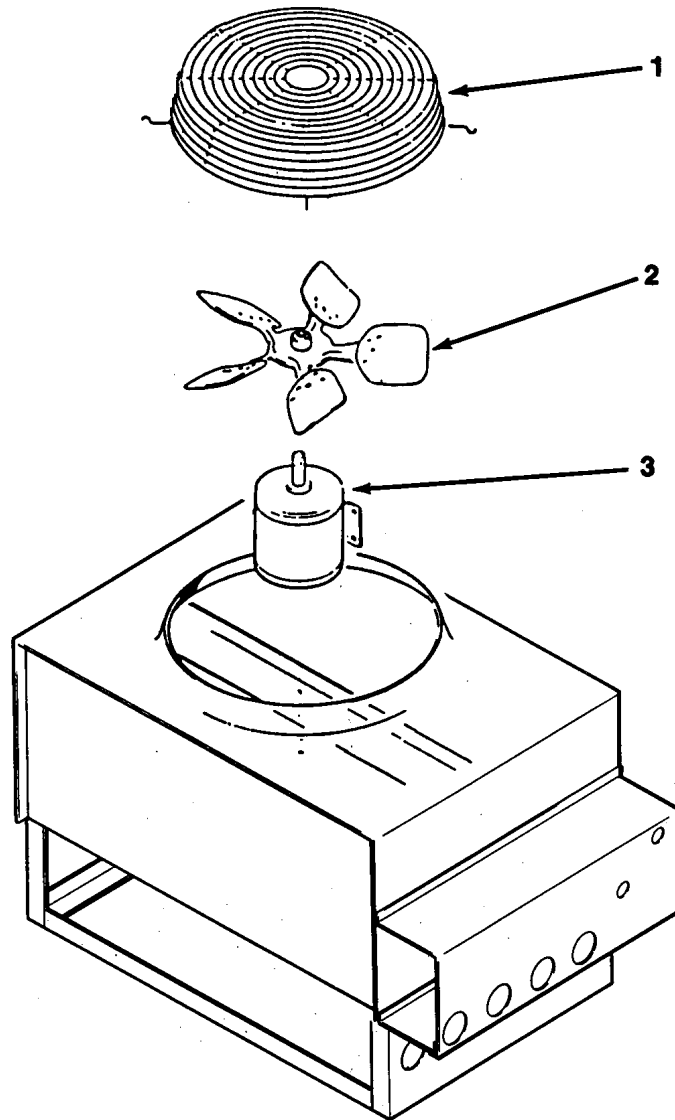
# FME1500R SERVICE PARTS

## RESERVOIR, DRAINS, ICE CHUTE, ICE LEVEL SENSORS



ITEM NUMBER	PART NUMBER	DESCRIPTION	ITEM NUMBER	PART NUMBER	DESCRIPTION
1.	02-2929-04	Ice Chute Lower	16.	13-0840-01	Plug
2.	A32963-001	Insulation collar, top	17.	13-0674-06	Tube, 9" Order By Ft.
2a	A32963-002	Insulation collar, top	18.	16-0670-02	Tee
3.	A33102-001	Insulation Collar Inside	19.	13-0079-03	Tube, 18" Order By Ft.
4.	A33117-020	Ice level sensor set	20.	13-0079-03	Tube, 12" Order By Ft.
5.	A32930-001	Chute Gasket	21.	02-3692-22	Drain
6.	A32050-001	Drip Pan	22.	A33101-022	Thermo Probe
7.	A32962-001	Insulation Collar Bottom	23.	02-3266-20	Float & Reservoir complete
8.	A32962-002	Insulation Collar Bottom	23a	02-3266-22	Seat/plunger
9.	A35419-020	Strap kit	23b	02-3266-21	Float valve
10.	13-0079-03	Hose 9" Order By Ft.	24.	03-1394-01	Pal Nut
11.	16-0162-00	Strainer	25.	13-0704-00	Drip pan gasket
12.	A33203-001	Preformed Hose	26.	.A35956-001	Reservoir bracket
13.	02-2814-08	Hose Clamp			
14.	16-0670-01	Tee			
15.	13-0674-06	Tube, 11" Order By Ft.			

# FME1500R SERVICE PARTS REMOTE CONDENSER



### RCE651-32A or RCE652-32A

ITEM NUMBER	PART NUMBER	DESCRIPTION
1.	02-2618-01	Fan Guard
2.	18-6304-01	Fan Blade
3.	18-5301-01	Fan Motor

### ERC201 or ERC402

ITEM NUMBER	PART NUMBER	DESCRIPTION
1	02-3575-01	Fan guard
2	18-8800-01	Fan blade
3	18-8796-32	Fan motor

For precharged line set:

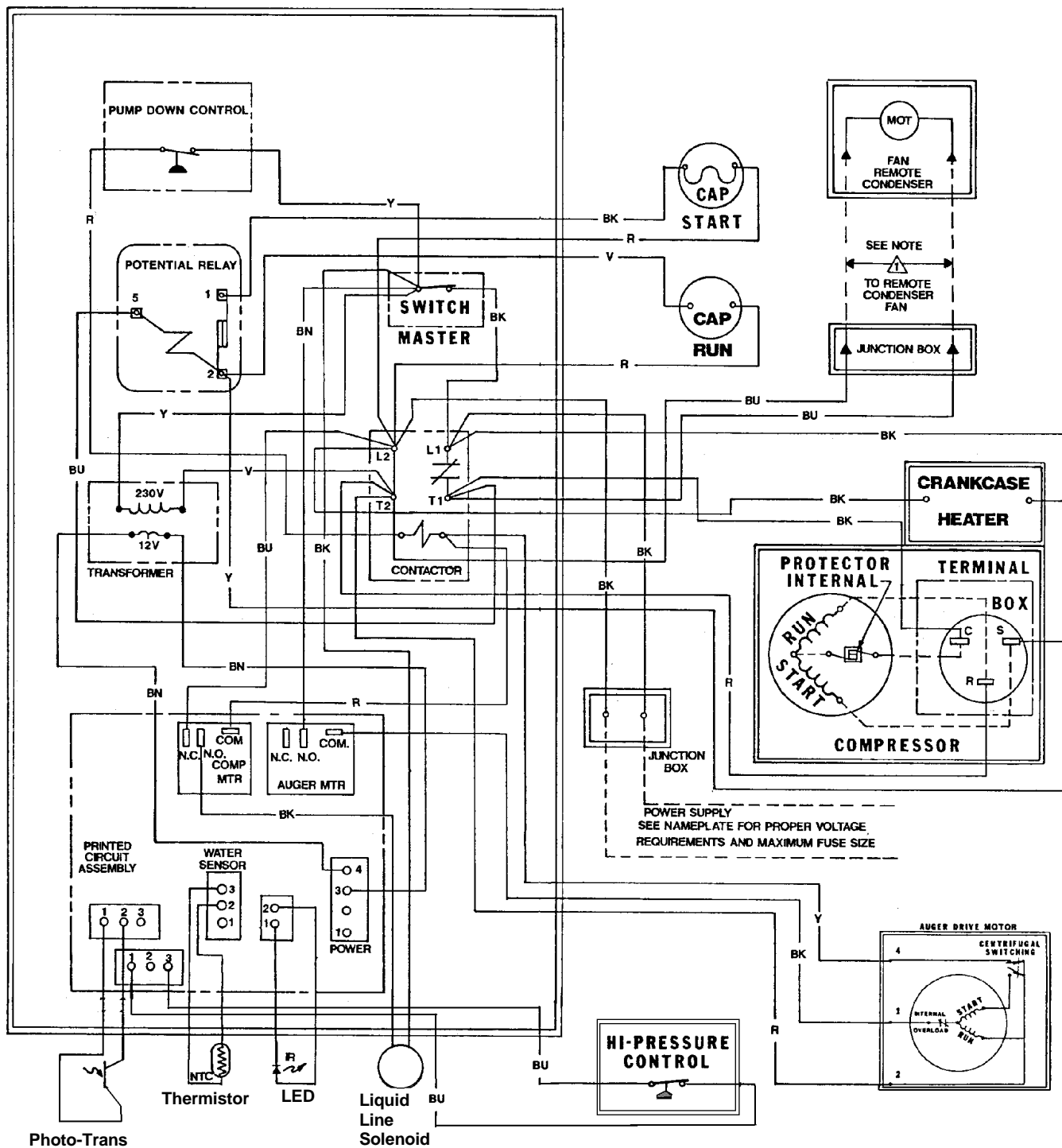
16-0701-02	Female coupling (3/8")
16-0701-10	Female coupling (1/2")



# FME1500R SERVICE PARTS

## Component Layout Diagram

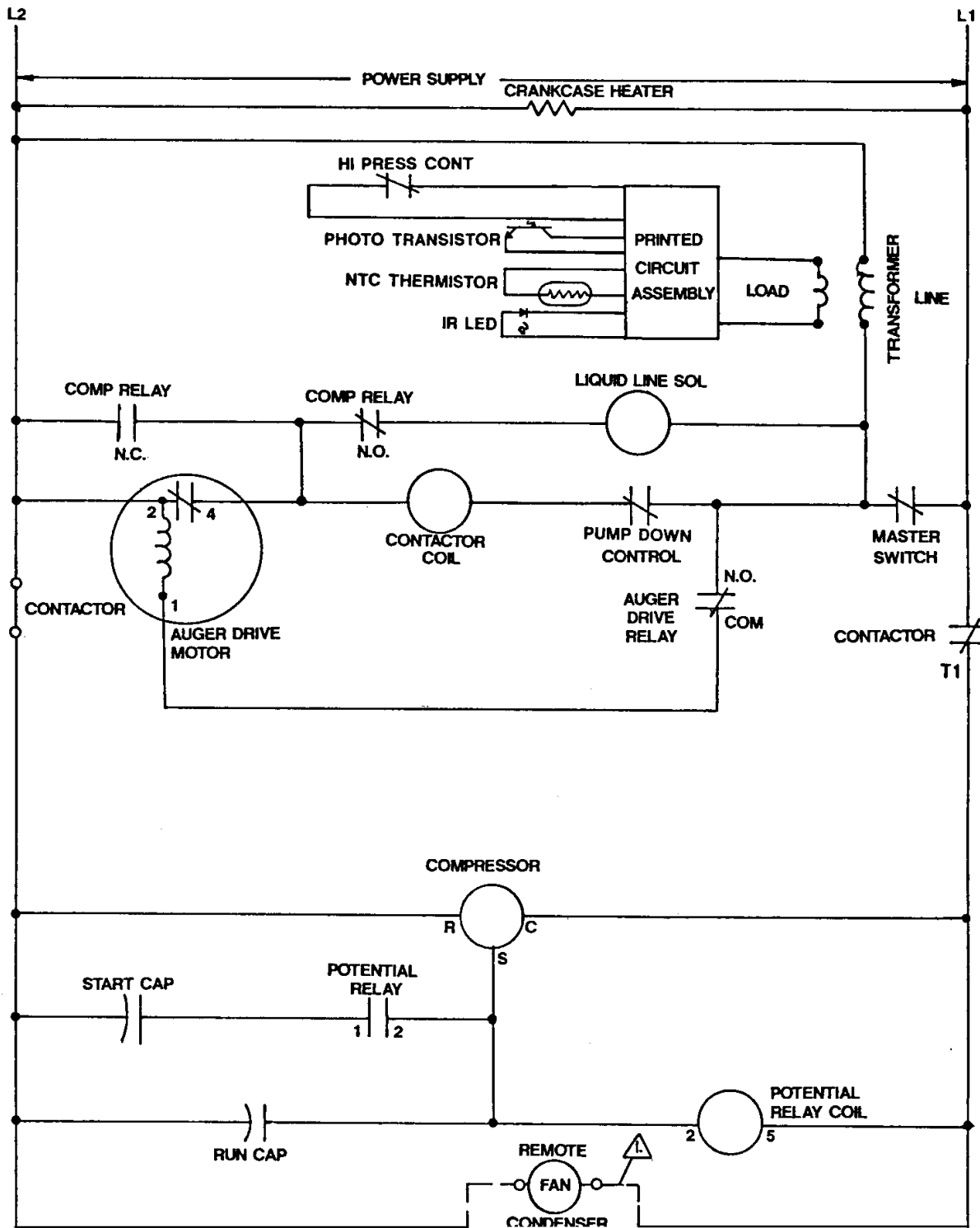
208-230/60/1



# FME1500R SERVICE PARTS

## Schematic Diagram

208-230/60/1



**USE COPPER CONDUCTOR ONLY THIS UNIT MUST BE GROUNDED**

**All controls shown in Normal Ice Making Mode**

**Note: Dashed lines indicate field wiring which must be installed in accordance with the National Electric Code using a minimum of 14 ga. awg. wire.**