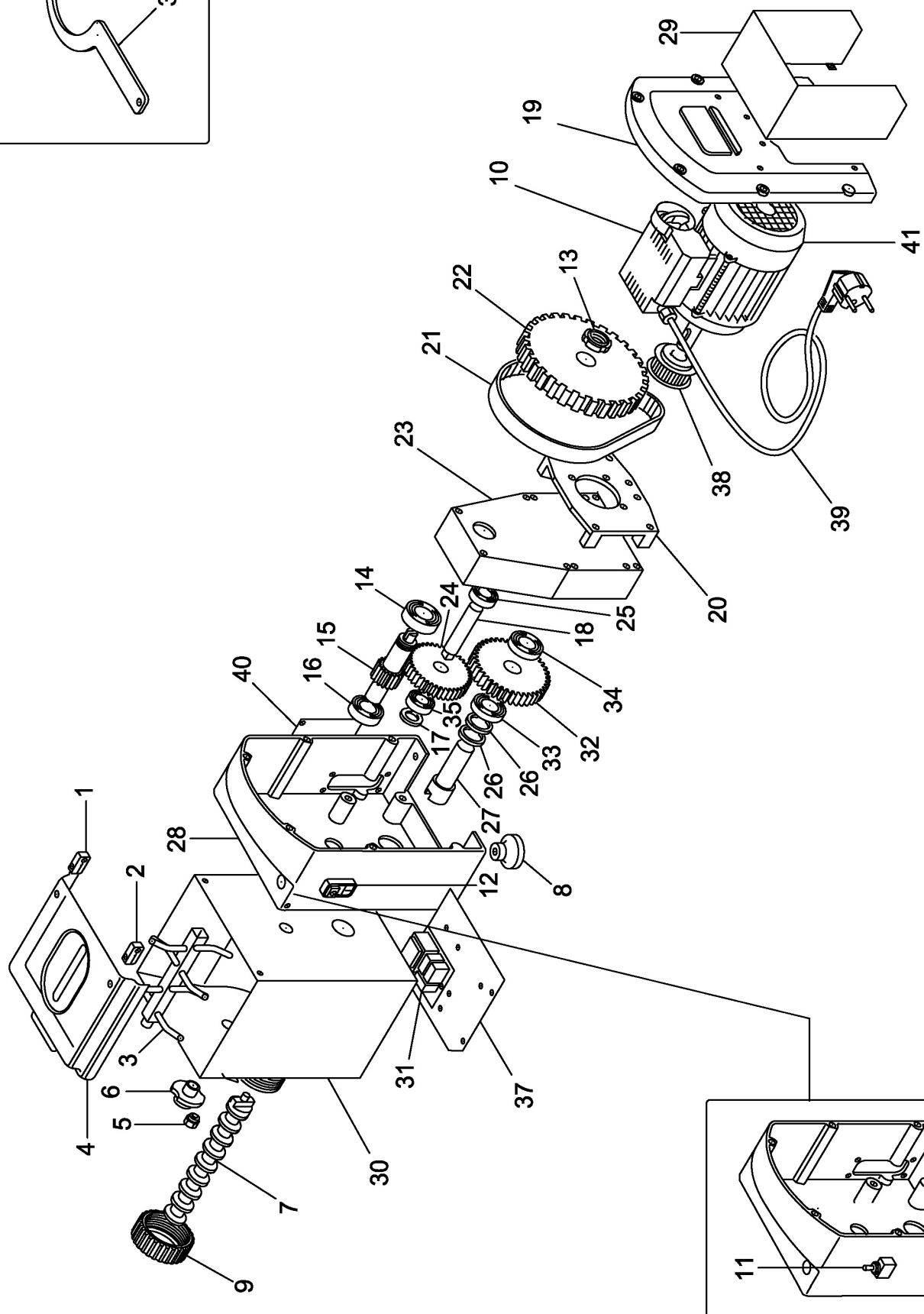
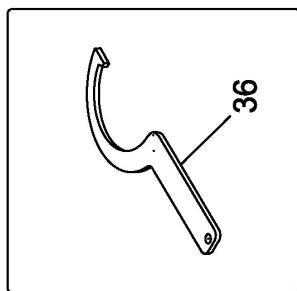


MPF1,5-2,5



MPF1,5-2,5

Pos. Ref.	Codice Code	Caratteristiche Features	Descrizione Description
1	CO1300		Cerniera Hinge
2	CO1301		Cerniera Hinge
3	CO1341	(MPF1,5)	Gancio Claw
3	CO1302	(MPF2,5)	Gancio Claw
4	CO1342	● (MPF1,5)	Coperchio Cover
4	CO1303	● (MPF2,5)	Coperchio Cover
5	CO1304		Pomello Knob
6	CO1343	(MPF1,5)	Volantino Handwheel
6	CO1305	(MPF2,5)	Volantino Handwheel
7	CO1344	(MPF1,5)	Elica Screw shaft
7	CO1306	(MPF2,5)	Elica Screw shaft
8	CO1307		Piedino Foot
9	CO1345	● (MPF1,5)	Ghiera Locking ring
9	CO1308	● (MPF2,5)	Ghiera Locking ring
10	CO1346	230V/1Ph/50Hz (MPF1,5)	Motore Motor
10	CO1312	230V/1Ph/50Hz (MPF2,5)	Motore Motor
11	CO1321	●	Microinterruttore Microswitch
12	SL0891	●	Pulsante Push button
13	CO1348	GUK ø17 (MPF1,5)	Ghiera Locking ring
13	CO1316	GUK ø20 (MPF2,5)	Ghiera Locking ring
14	SL1799	6004 2RS (MPF1,5)	Cuscinetto Bearing
14	CO1317	6204 2RS (MPF2,5)	Cuscinetto Bearing
15	CO1349	(MPF1,5)	Albero Shaft
15	CO1318	(MPF2,5)	Albero Shaft
16	SL2473	6003 2RS (MPF1,5)	Cuscinetto Bearing
16	SL0131	6203 2RS (MPF2,5)	Cuscinetto Bearing
17	CO1350	(MPF1,5)	Guarnizione Gasket
17	CO1322	(MPF2,5)	Guarnizione Gasket
18	CO1351	(MPF1,5)	Albero Shaft
18	CO1323	(MPF2,5)	Albero Shaft
19	CO1352	(MPF1,5)	Pannello Panel
19	CO1324	(MPF2,5)	Pannello Panel
20	CO1353	(MPF1,5)	Supporto Support
20	CO1325	(MPF2,5)	Supporto Support
21	CO1354	● HTD P5x580 (MPF1,5)	Cinghia Belt
21	CO1326	● HTD P5x740 (MPF2,5)	Cinghia Belt
22	CO1355	(MPF1,5)	Puleggia Pulley
22	CO1327	(MPF2,5)	Puleggia Pulley
23	CO1356	(MPF1,5)	Coperchio Cover
23	CO1328	(MPF2,5)	Coperchio Cover
24	CO1357	(MPF1,5)	Ingranaggio Gear
24	CO1329	(MPF2,5)	Ingranaggio Gear
25	SL2473	6003 2RS (MPF1,5)	Cuscinetto Bearing
25	SL1799	6004 2RS (MPF2,5)	Cuscinetto Bearing
26	CO1358	(MPF1,5)	Guarnizione Gasket
26	CO1331	(MPF2,5)	Guarnizione Gasket
27	CO1359	(MPF1,5)	Albero Shaft
27	CO1332	(MPF2,5)	Albero Shaft
28	CO1360	(MPF1,5)	Carcassa Housing
28	CO1333	(MPF2,5)	Carcassa Housing
29	CO1334	(MPF2,5)	Copertura Covering
30	CO1362	(MPF1,5)	Contentitore Tank
30	CO1336	(MPF2,5)	Contentitore Tank
31	CO1337	● 230V/1Ph/50-60Hz	Scheda elettronica Electronic card
32	CO1330	(MPF1,5)	Ingranaggio Gear
32	CO1340	(MPF2,5)	Ingranaggio Gear
33	CO1320	7204 (MPF1,5)	Cuscinetto Bearing
33	CO1319	51105 (MPF2,5)	Cuscinetto Bearing
34	SL1799	6004 2RS (MPF1,5)	Cuscinetto Bearing
34	SL0202	6005 2RS (MPF2,5)	Cuscinetto Bearing
35	SL2473	6003 2RS (MPF1,5)	Cuscinetto Bearing
35	SL0202	6005 2RS (MPF2,5)	Cuscinetto Bearing
36	CO2049	(MPF1,5)	Chiave Key
36	CO2048	(MPF2,5)	Chiave Key
37	CO2047	(MPF1,5)	Fondo Bottom
37	CO2046	(MPF2,5)	Fondo Bottom
38	CO2051	(MPF1,5)	Puleggia Pulley
38	CO2050	(MPF2,5)	Puleggia Pulley
39	SL1671	1Ph+N+Gnd	Cavo elettrico Electric cable
40	CO2052	(MPF2,5)	Coperchio Cover
41	CO4912	(MPF1,5)	Coperchio Cover
41	CO1335	(MPF2,5)	Coperchio Cover

(*) : fuori produzione / out of production

● : ricambio consigliato / spare part suggested