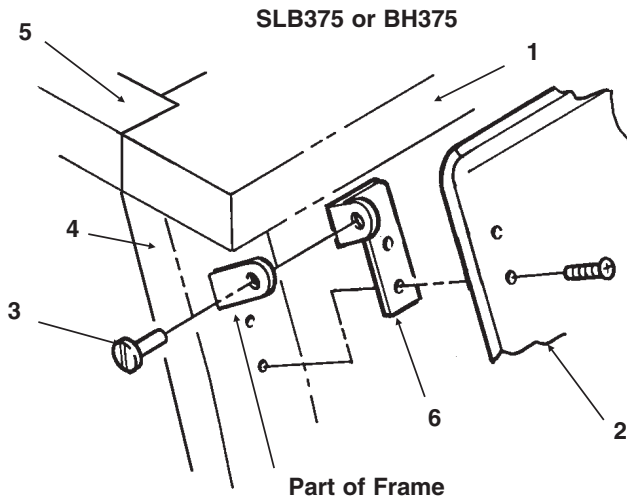
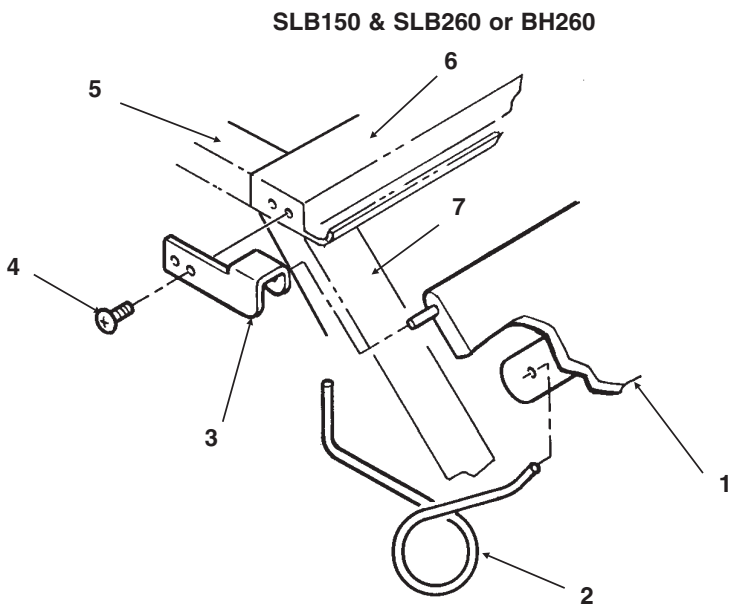


Bins and Accessories Service Parts

SLB150, SLB260/BH260, SLB375/BH375



Item Number	Part Number	Description
1	C80211705	Canopy
2	C80230902	Bin door assembly (includes hinge)
3	C80206901	Hinge pin
4	C80209504	Door frame assembly
5	19-0503-04	Gasket tape, 90"
6	C80206601	Hinge for door, rt
	C80206602	Hinge for door, left
Not illustrated:		
7	C80399201	Clear button
8	C80511301	Baffle



Item Number	Part Number	Description
1	C19475304	Door Assembly
2	C19629100	Door spring
3	C80299602	Left door hinge
	C80299601	Right door hinge
4	C19632604	Hinge pin
5	19-0503-04	Gasket tape, 90"
6	C80307602	Canopy
7	C80309002	Door frame assy
SLB150 Only		
	C34196203	Bin thermo bracket

Bin Drain Parts:	
BH375, SLB375, BH260 and SLB260	
Female fitting, pn C80205501	
Male fitting, pn C80205301	
Flanged hex nut, pn C80205401	
SLB150	
Drain fitting, pn C36619500	
Drain cup, pn C36619600	
Dran cap, pn C36619400	

Not Shown		
KSLDK Key Mech. Kit (Slimline)		
Item Number	Part Number	Description
1	C26203100	Micro switch
2	C42647900	Brass lock housing
3	C42792800	Switch bracket
4	C80417803	Key mech
5	C80575503	Coin mech cover
KSLDC, Coin Mech Kit (Slimline)		
1	C18223900	Term. board
2	C46292701	Control Relay
3	C80457301	Coin slide mech.
4	C80457401	Coin box
5	C80457501	Mounting plate
6	C80565701	Timer