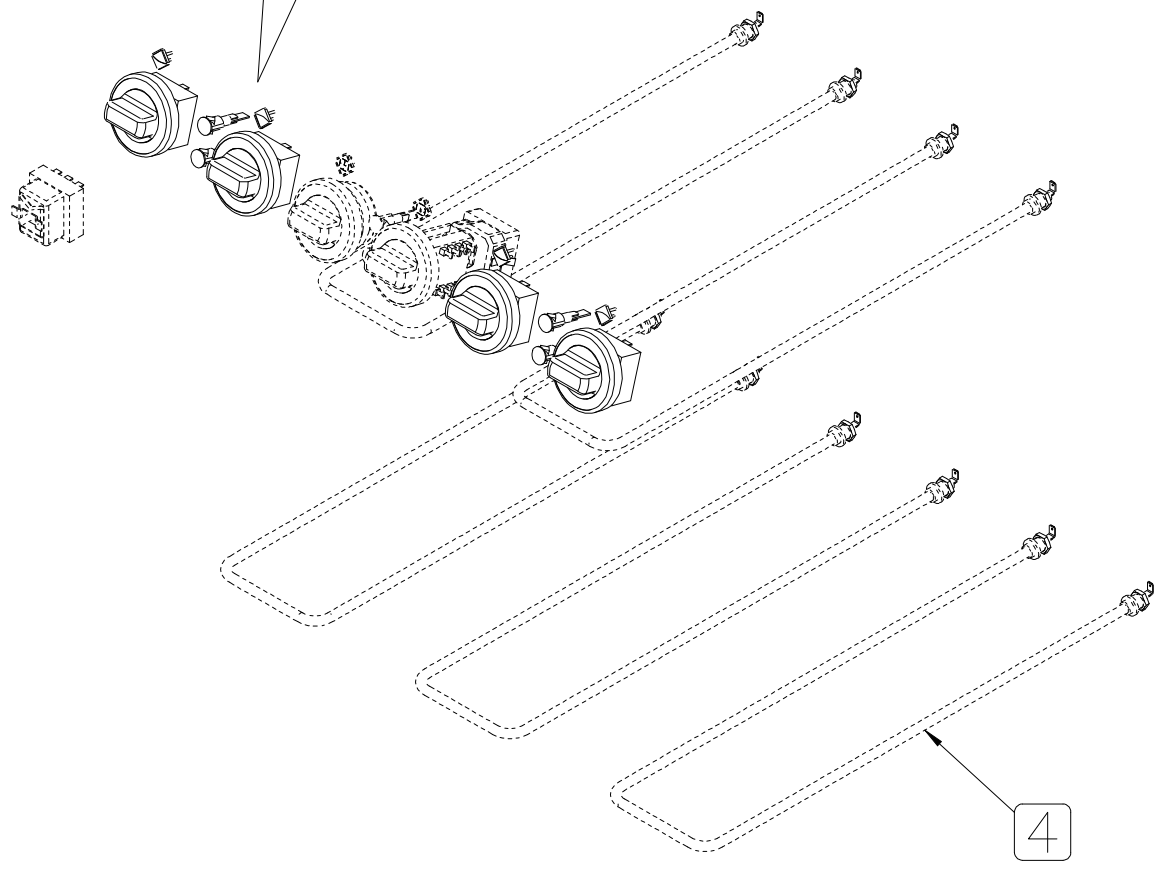
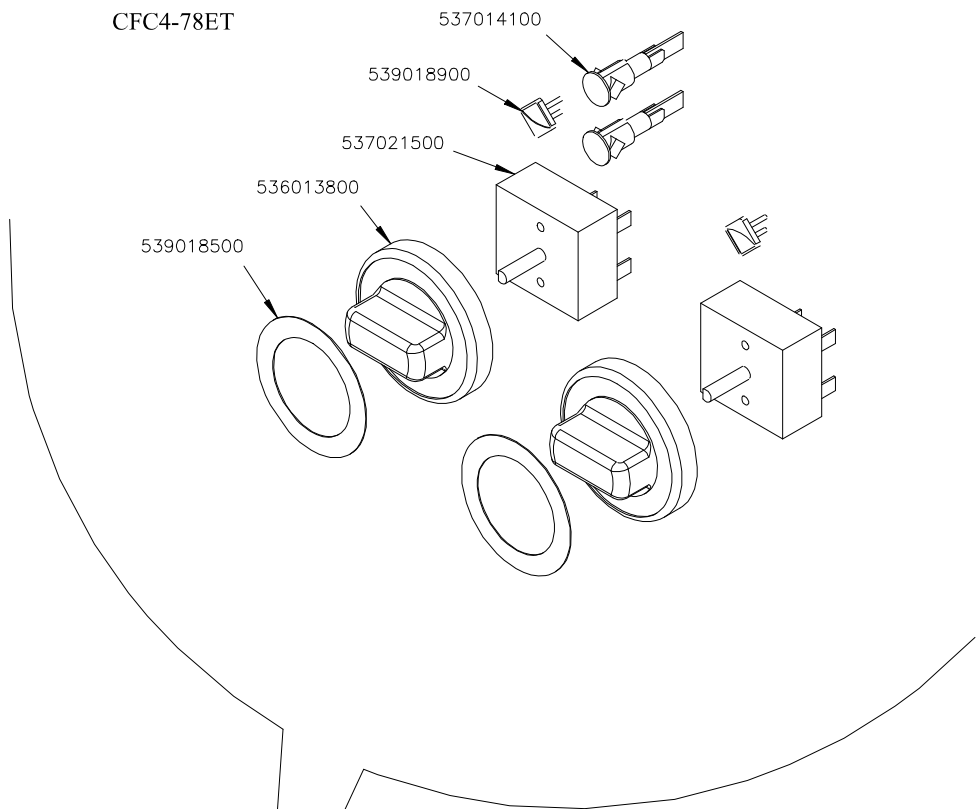
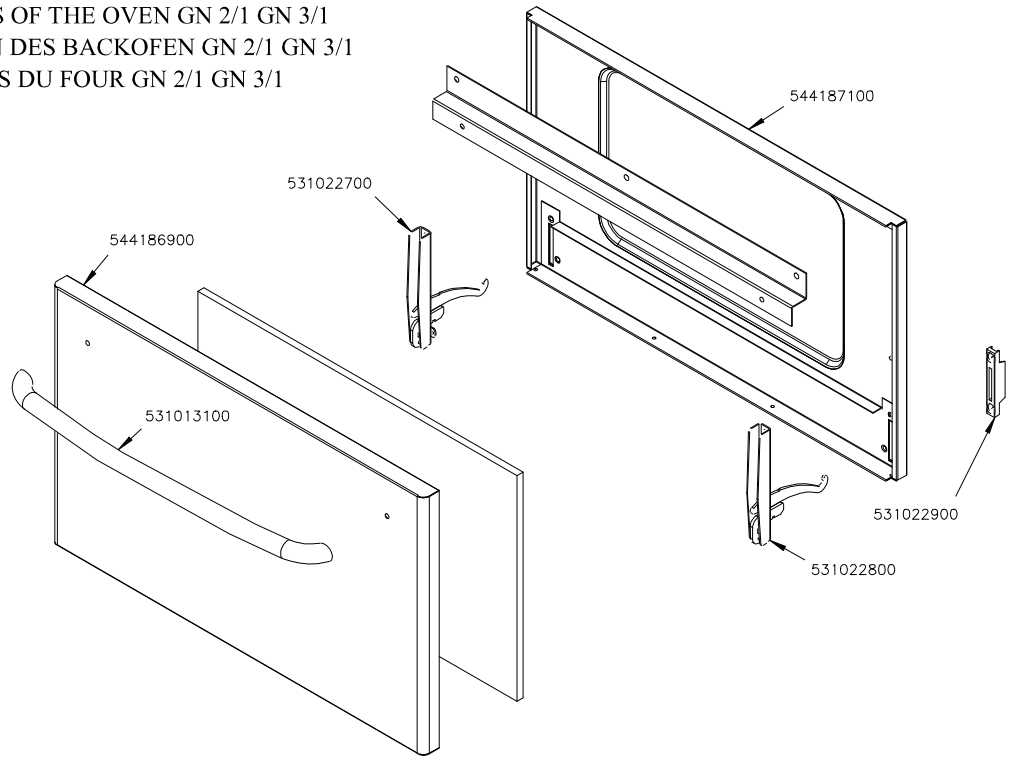


CFC4-78ET

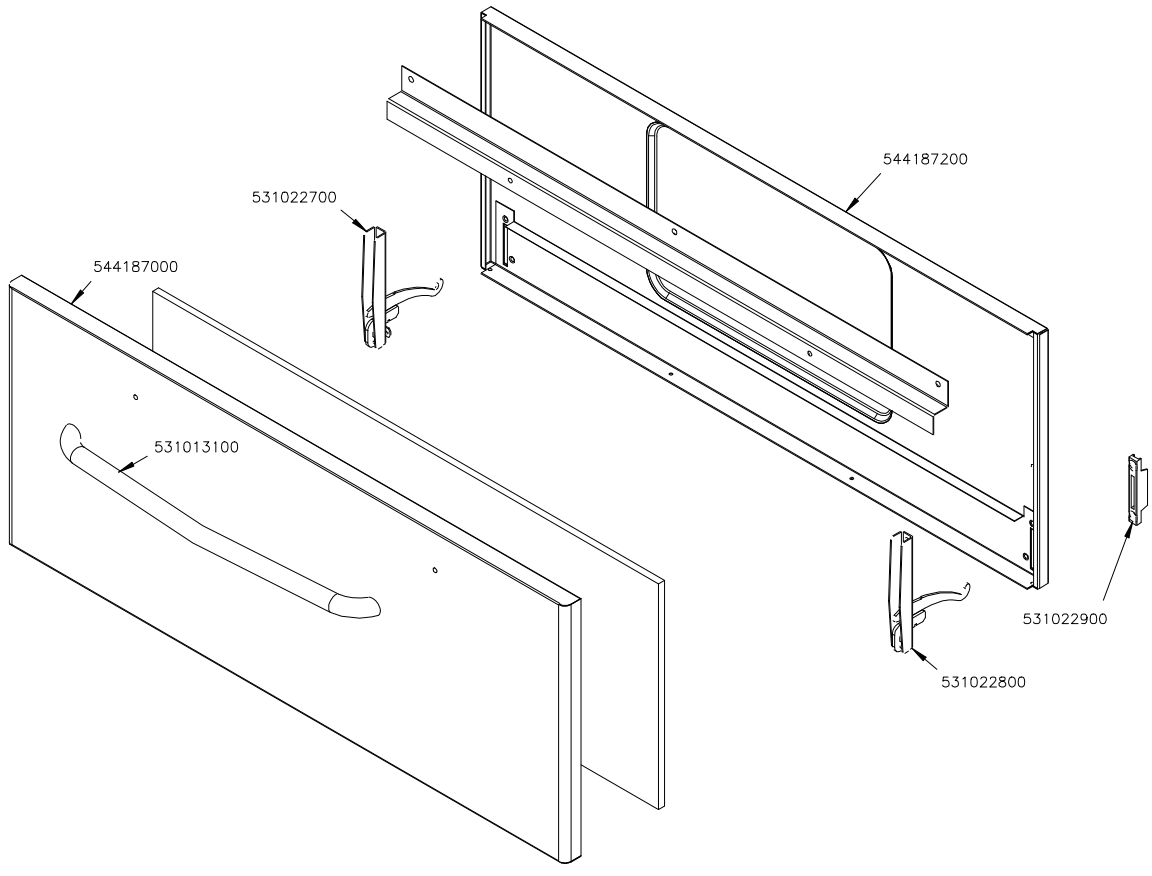


PORTE FORNO GN 2/1 GN 3/1  
DOORS OF THE OVEN GN 2/1 GN 3/1  
TUREN DES BACKOFEN GN 2/1 GN 3/1  
PORTES DU FOUR GN 2/1 GN 3/1

GN 2/1

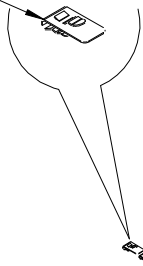


GN 3/1

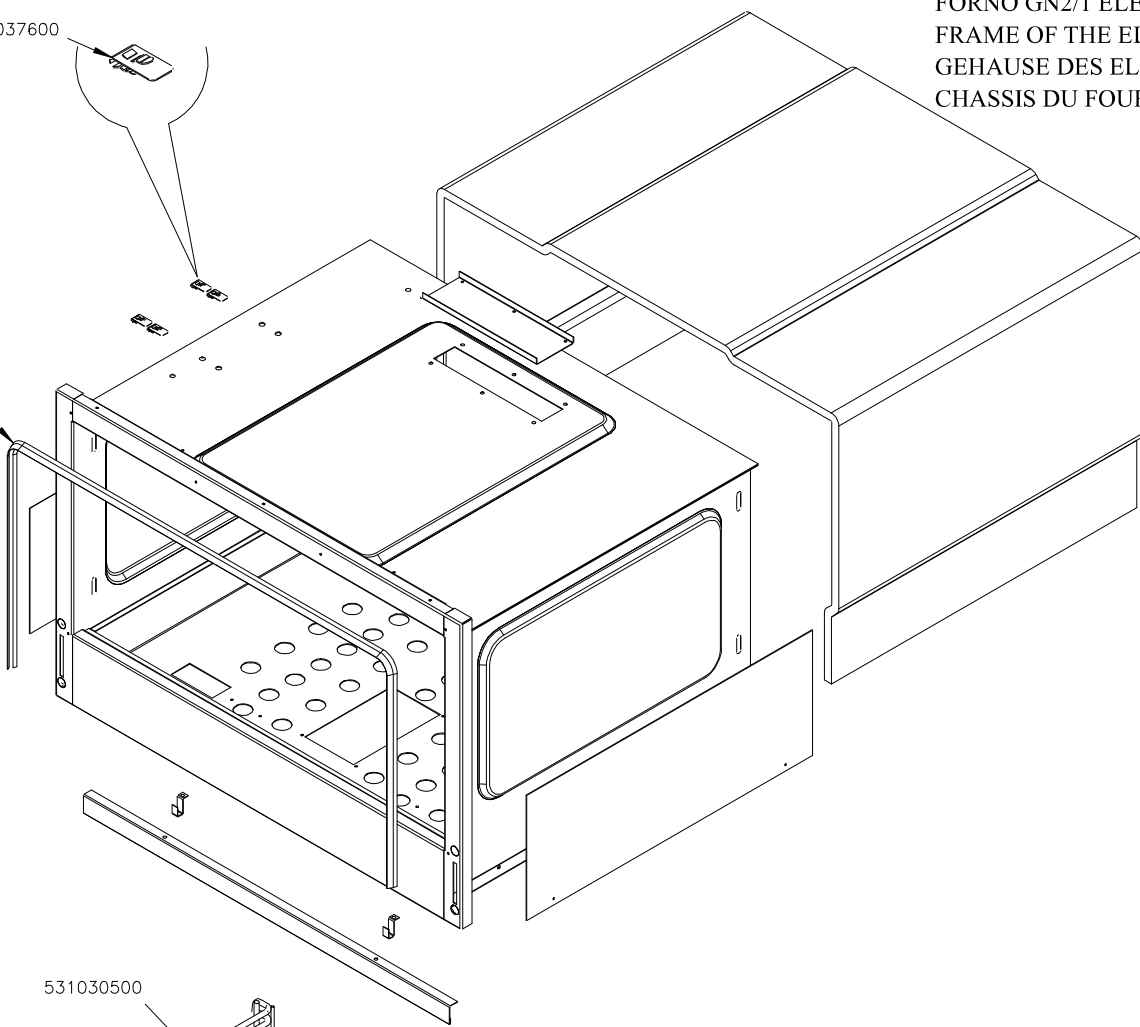


FORNO GN2/1 ELETTRICO CARCASSA  
FRAME OF THE ELECTRICAL OVEN GN 2/1  
GEHAUSE DES ELEKTROBACKOFEN GN 2/1  
CHASSIS DU FOUR A ELECTRIQUE GN 2/1

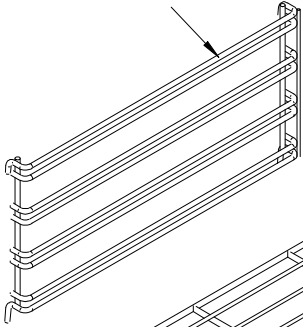
533037600



536010800



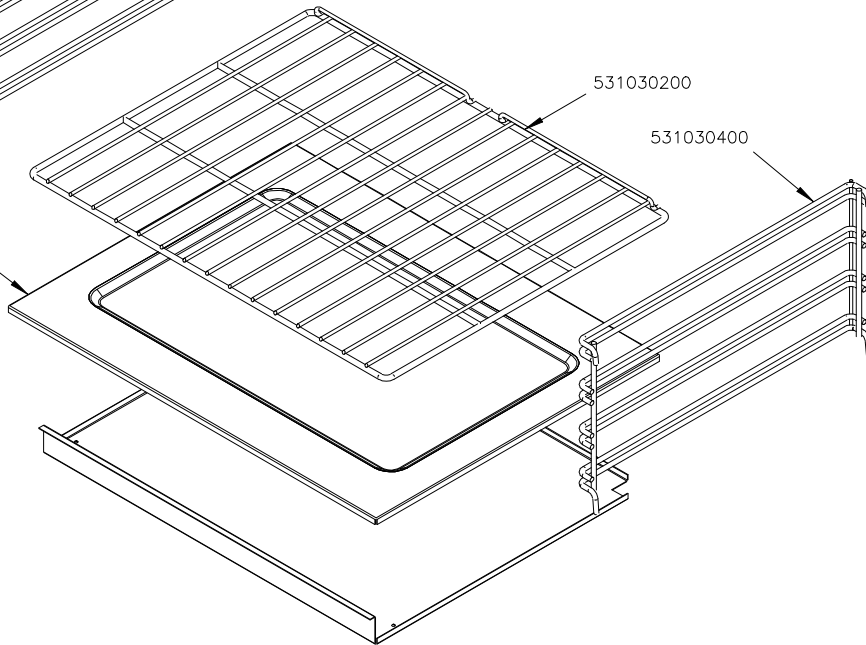
531030500



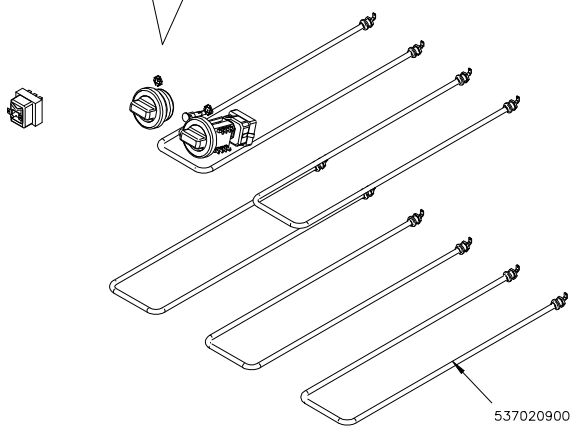
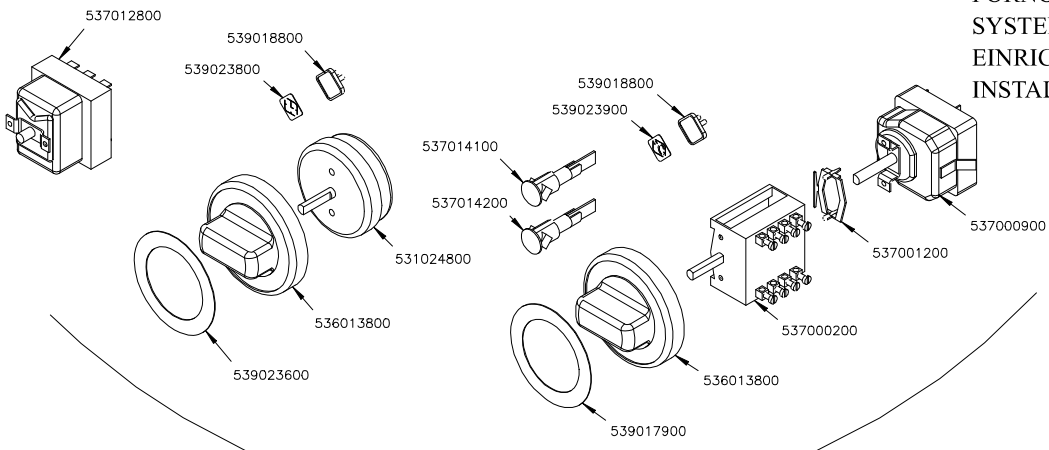
531030200

531030400

544198900



FORNO GN2/1 ELETTRICO IMPIANTO  
SYSTEM OF THE ELECTRICAL OVEN GN 2/1  
EINRICHTUNG DES ELEKTROBACKOFEN GN 2/1  
INSTALLATION DU FOUR A ELECTRIQUE GN 2/1



Page	Pos	Code	Description
001		541097100	NEUTRAL SPACER 78
001		537007700	TERMINAL BLOCK THREEPHASE 40A
001		536012000	HEXAGONAL LOCK NUT PG-21
001		537021900	CABLE SECURING CLAMP V.TEC 21 D.24
001		541110900	GLAS UPPER PLATE PCC-78E
001		541104500	CONTROL PANEL CF4-78E
001		537019400	EL. PLATE PCC D250 1000+1400W 230V
001		537020001	REMAINING HEAT 4 PILOT LIGHTS UNIT
001		544173300	LEFT SIDE PANEL RANGE S.70
001		536005200	INOX LEG 2" 120-180 M10
001		544173200	RIGHT SIDE PANEL RANGE S.70
002		537014100	WHITE WARNING LIGHT 250V
002		539018900	INDEX FOR KNOB
002		537021500	REGULATOR FOR EL.PLATE 2CIRC.230V
002		536013800	KNOB D.70 BLACK 6*5 WITH SPRING
002		539018500	ADHESIVE GRADUATED DISC FOR KNOB
003		544187100	OVEN INNER DOOR GN 2/1 S.70
003		531022900	HINGE DOOR WHEEL HOLDER S.70
003		531022800	LEFT OVEN DOOR HINGE S.70
003		531022700	RIGHT OVEN DOOR HINGE 70LINE
003		544186900	OVEN DOOR GN 2/1 S.70
003		531013100	OVEN DOOR HANDLE OF 70/90-LINE
004		533037600	LOCK SPRING FOR BULB
004		536010800	OVEN GASKET GN 2/1 (1261)
004		531030500	LHD SUPPORT GRID FOR OVEN OF 70LINE
004		531030200	OVEN GRID GN 2/1 FOR 70 LINE
004		531030400	RHD SUPPORT GRID FOR OVEN OF 70LINE
004		544198900	70 ELECTRICAL OVEN BOTTOM GN2/1
005		537012800	SAFETY THERMOSTAT 420°C THREEPHASE
005		539018800	INDEX FOR OVEN KNOB
005		539023800	SIGN PLATE FOR OVEN TIMER
005		539023900	SIGN PLATE FOR OVEN TEMPERATURE
005		537014100	WHITE WARNING LIGHT 250V
005		537014200	GREEN WARNING LIGHT 250V
005		531024800	TIMER 120'- 360°
005		536013800	KNOB D.70 BLACK 6*5 WITH SPRING
005		539023600	ADHESIVE GRADUATED DISC FOR KNOB
005		537000900	THERMOSTAT 50-320°C THREEPHASE
005		537001200	FIXING BRACKET FOR THERMOSTAT/COMM.
005		537000200	COMMUTATOR 1 POS. 3PHASE S.49 16A
005		539017900	ADHESIVE GRADUATED DISC FOR KNOB
005		537020900	HEATING ELEMENT 1000W 230V OVEN S70