



## **Kühlung Kühl-Huckepackaggregat**

Artikel-Nr.  
665017 (ATN1100)

---

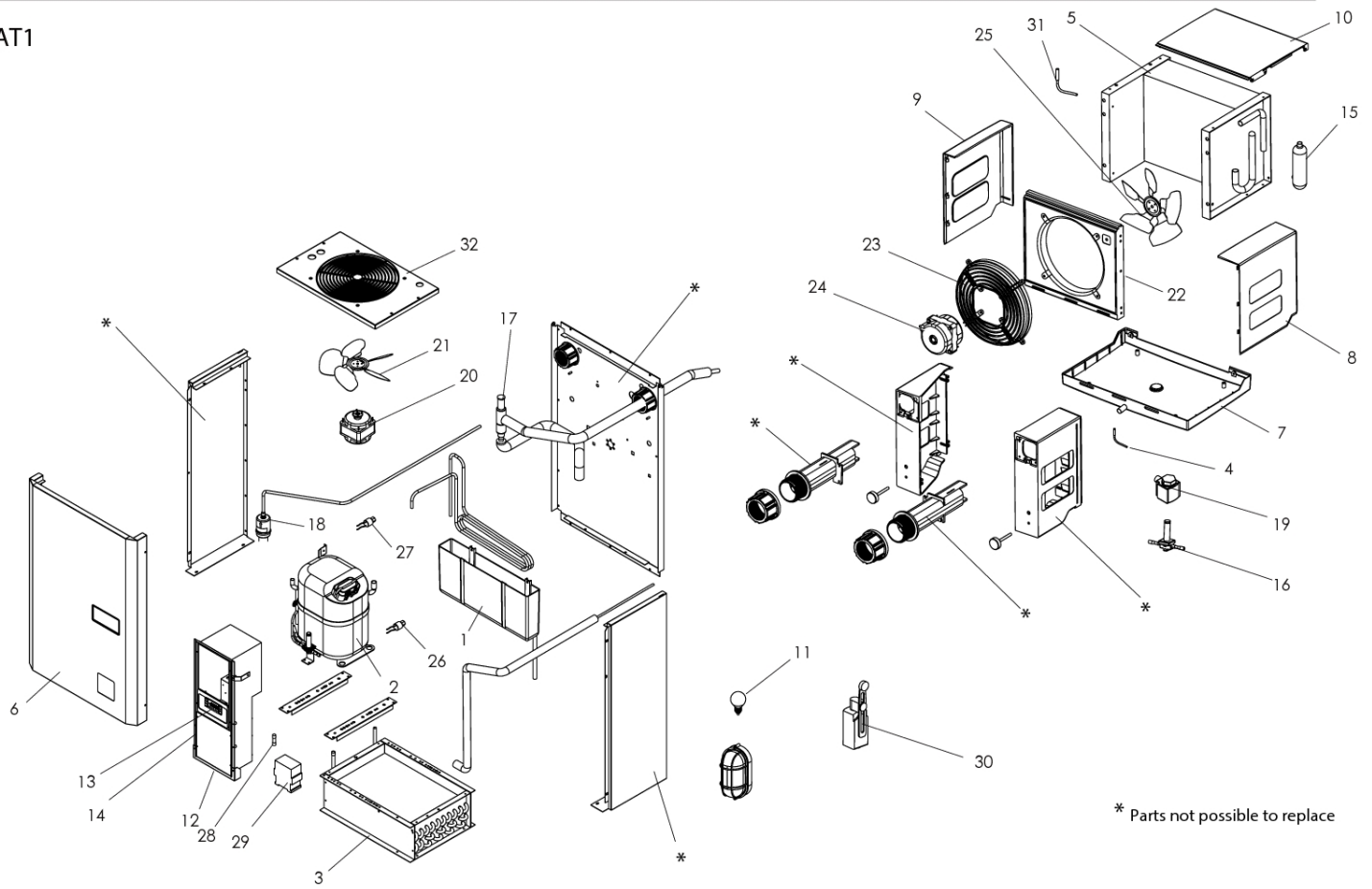
### **Explosionszeichnung / Ersatzteile**

---

Bitte bei Ersatzteilbestellung immer Artikelnummer und  
Seriennummer mit angeben!



AT1



## ATN1100A2202\_A

Pos.	Code	Description	Qta	UM	Note
1	(3CMVP011	CONDENSATE TRAY	1		
2	3CMP558	COMPRESSOR	1		
3	3CND448	CONDENSER	1		
4	3RST196	DRAIN HEATER	1		
5	3EVP416	EVAPORATOR	1		
6	(2VT01852P	FRONTAL PANEL	1		
7	(3CMVP01508	EVAPORATOR DRAIN TRAY	1		
8	(3CMVP12503	EVAPORATOR LEFT SIDE	1		
9	(3CMVP12504	EVAPORATOR RIGHT SIDE	1		
10	(3CMVP12508	EVAPORATOR REAR COVER	1		
11	3LMP047	LAMP	1		
12	3QAT0AAA14	ELECTRIC PANEL	1		
13	3CTL199	CONTROL PANEL	1		
14	3PNP077	CONTROL PANEL FOIL	1		
15	(4ACLC001	LIQUID SEPARATOR	1		
16	3VLS001	SOLENOID VALVE	1		
18	3FLT200	FILTER	1		
19	3CVS001	SOLENOID COIL	1		
20	3MVN027	FAN MOTOR	1		
21	3VNT053	EVAPORATOR FAN BLADE	1		
22	(3CMVP12507	FAN MOTOR SUPPORT PANEL	1		
23	(3CMVP12523	FAN GRILLE	1		
24	3MVN028	FAN MOTOR	1		
25	3VNT054	EVAPORATOR FAN BLADE	1		
26	3PRS027	HIGH PRESSURE SWITCH	1		
27	3PRS044	LOW PRESSURE SWITCH	1		
28	3FSB017	FUSE	1		

## ATN1100A2202\_A

Pos.	Code	Description	Qta	UM	Note
30	3MCT014	DOOR MICROSWITCH	1		
31	3SNS085	TEMPERATURE PROBE	2		
32	(3CMVP01001	FAN MOTOR SUPPORT PANEL	1		