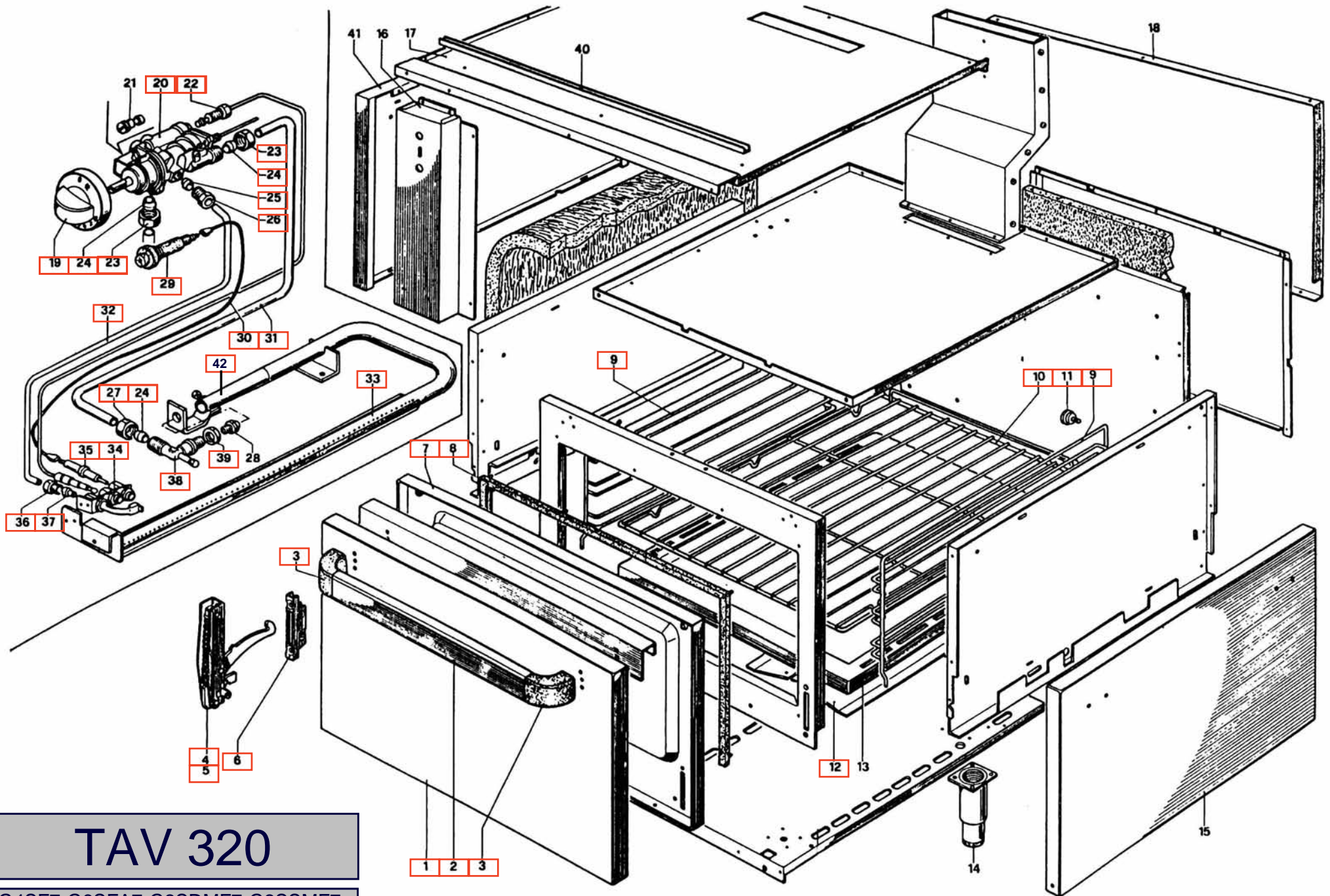


TAV 311

G4SMFA7

| TABLE         | POS. | CODE       | ITALIAN                        | ENGLISH                           | FRANÇAIS                               | DEUTSCH                           |
|---------------|------|------------|--------------------------------|-----------------------------------|--|-----------------------------------|
| OMNIA TAV.311 | 1    | PACU700424 | FIANCO G4SF7                   | SIDE                              | CÔTÉ                                   | SEITE                             |
| OMNIA TAV.311 | 2    | RTCU700563 | AS.RAMPA G4SMF7 ZINC.          | COLLECTOR                         | COLLECTEUR                             | SPEISERAMPE                       |
| OMNIA TAV.311 | 3    | GACU700201 | AS.CRUSCOTTO                   | CONTROL PANEL                     | PANNEAU DE CONTRÔLE                    | STIRNBRETT                        |
| OMNIA TAV.311 | 4    | RTCU700375 | SPARTIFIAMMA 3,5KW G4SF7       | BURNER CAP 3,5 KW                 | CHAPEAU DE BRÛLEUR 3,5 KW              | FLAMMERBRENNER 3,5 KW             |
| OMNIA TAV.311 | 5    | RTCU700380 | BRUC.3,5KW G4SF7 SMALT.        | BURNER 3,5 KW                     | BRÛLEUR 3,5 KW                         | BRENNER 3,5 KW                    |
| OMNIA TAV.311 | 6    | RTCU700376 | SPARTIFIAMMA 6KW G4SF7         | BURNER CAP 6 KW                   | CHAPEAU DE BRÛLEUR 6 KW                | FLAMMERBRENNER 6 KW               |
| OMNIA TAV.311 | 7    | RTCU700382 | BRUC.6KW G4SF7 SMALT.          | BURNER 6 KW                       | BRÛLEUR 6 KW                           | BRENNER 6 KW                      |
| OMNIA TAV.311 | 8    | PACU700752 | *CRUSCOTTO                     | FRONT BURNER PILOT PIPE           | TUBE VEILLEUSE BRÛLEUR ANTÉRIEUR       | VORDERER PILOTBRENNERROHR         |
| OMNIA TAV.311 | 9    | PACU700573 | TU.PILOTA BRUC.POST.G4SF7      | BACK BURNER PILOT PIPE            | TUBE VEILLEUSE BRÛLEUR POSTÉRIEUR      | HINTERER PILOTBRENNERROHR         |
| OMNIA TAV.311 | 10   | GACU700135 | AS.TU.AL.ANT.BRUC.3,5 KW G4SF7 | FRONT BURNER DISTRIB. PIPE 3,5 KW | TUBE DE DISTRIB. BRÛLEUR ANTÉR. 3,5 KW | VORDER. BRENNERVERSORG. 3,5 KW    |
| OMNIA TAV.311 | 11   | GACU700138 | AS.TU.AL.POST.BRUC.6KW G4SF7   | TUBO ALIMENT. BRUCIAT. POST. 6 KW | TUBO ALIMENT. BRUCIAT. POST. 6 KW      | TUBO ALIMENT. BRUCIAT. POST. 6 KW |
| OMNIA TAV.311 | 12   | RTCU700438 | PI.COTT.MIJOTAGE               | COOKING TOP                       | PLAQUE DE CUISSON MIJOTAGE             | KOCHPLATTE                        |
| OMNIA TAV.311 | 13   | RTCU700440 | BRUC.MIJOTAGE+REG.A.18X40      | TOP BURNER                        | BRÛLEUR PLAQUE                         | BRENNERPLATTE                     |
| OMNIA TAV.311 | 14   | PACU700658 | PLACCA G4SM7                   | WORK PLANE                        | PLAN DE CUISSON                        | PLATTE                            |
| OMNIA TAV.311 | 15   | PACU700422 | PORTA A.DX NSA47               | RIGHT DOOR                        | PORTE DROITE                           | RECHTE TÜR                        |
| OMNIA TAV.311 | 16   | RTCU700291 | TERMINALE MAN.F.G47 RAG.TURCH. | HANDLE                            | POIGNÉE                                | HANDGRIFF                         |
| OMNIA TAV.311 | 17   | PACU700421 | MANIGLIA A.RAG.NSA47/92        | CUPBOARD DOOR HANDLE              | POIGNÉE PORTE POUR PLACARD             | SCHRANKTÜR HANDGRIFF              |
| OMNIA TAV.311 | 18   | PACU700420 | C/PORTA A.INOX NSA47           | CUPBOARD COUNTER DOOR             | CONTRE PORTE POUR PLACARD              | GEAGENTÜR                         |
| OMNIA TAV.311 | 19   | PACU700645 | LATERALE A.G6SFA7              | CUPBOARD SIDE                     | CÔTÉ POUR PLACARD                      | SEITE                             |
| OMNIA TAV.311 | 20   | RTTAV00093 | AT.MAGNETICO RPV/22 NSA6/7/ C  | MAGNETIC CONNECTION               | CALAMITE                               | MAGNETANSCHLUSS                   |
| OMNIA TAV.311 | 21   | GACU700113 | AS.CERN.P.A.DX GC47            | RIGHT HINGE CUPBOARD DOOR         | CHARNIÈRE DROITE PORTE PLACARD         | RECHTE TÜRANGEL SCHRANKTÜR        |
| OMNIA TAV.311 | 22   | GACU700112 | AS.CERN.P.A.SX GC47            | LEFT HINGE CUPBOARD DOOR          | CHARNIÈRE GAUCHE PORTE PLACARD         | LINKE TÜRANGEL SCHRANKTÜR         |
| OMNIA TAV.311 | 23   | PACU700646 | CIELO A.G6SFA7                 | CUPBOARD UPPER SIDE               | PLAN SUPÉRIEUR PLACARD                 | OBERE SCHRANKWAND                 |
| OMNIA TAV.311 | 24   | PACU700647 | PI.INF.A.G6SFA7                | CUPBOARD LOWER SIDE               | PLAN INTERIEUR PLACARD                 | UNTERE SCHRANKEBENE               |
| OMNIA TAV.311 | 25   | RTCU700277 | PIEDINO+T.S.G4SF7/145 A        | STAINLESS STEEL FOOT              | PIED INOX                              | INOX FUSS                         |
| OMNIA TAV.311 | 26   | GACU700142 | AS.GRIGLIA CAM.G6S7 SMALT.     | CHIMNEY GRILL                     | GRILLE DE LA CHEMINÉE                  | SCHERNSTEINROST                   |
| OMNIA TAV.311 | 27   | RTCU700274 | GRIGLIA PL.G4S7 NERA/LUC/RAAF  | WORK PLANE GRATE                  | GRILLE DE PLAQUE                       | PLATTENROST                       |
| OMNIA TAV.311 | 28   | PACU700648 | CAMINETTO SUP.G6SFA7           | SUPERIOR CHIMNEY                  | CHEMINÉE SUPÉRIEUR                     | OBERSCHORNSTEIN                   |
| OMNIA TAV.311 | 29   | PACU700642 | POSTERIORE INOX G6SFA7         | STAINLESS STEEL BACK PANEL        | PANNEAU POSTÉRIEURE INOX               | INOX RÜCKWAND                     |
| OMNIA TAV.311 | 34   | RTCU700308 | MANOP.RUB.V.G4S7 TURCH.        | SAFETY VALVE KNOB                 | BOUTON POUR SOUPAPE DE SÛRETE          | HAHNKUGELGRIFF                    |
| OMNIA TAV.311 | 35   | RTCU900018 | BICONO D.6 PEL0905             | BICONE FOR PIPE Ø 6               | BICONE POUR TUBE Ø 6                   | ZWEIKEGEL Ø 6                     |
| OMNIA TAV.311 | 36   | RTCU900019 | CALOTTA D.6 PEL0903/1          | NUT FOR PIPE Ø 6                  | ÉCROU POUR TUBE Ø 6                    | MUTTER FÜR SCHLAUCH Ø 6           |
| OMNIA TAV.311 | 37   | RTCU700325 | SUPPORTO INIET.PLACCA G4SF7    | INJECTOR SUPPORT                  | SUPPORT INJECTEUR                      | EINSPRITZHALTERUNG                |

|               |    |            |                                   |                           |                                |                                |
|---------------|----|------------|-----------------------------------|---------------------------|--------------------------------|--------------------------------|
| OMNIA TAV.311 | 39 | RTCU700297 | CALOTTA D.10 FIS/USC.RUB.V.21S    | NUT FOR PIPE Ø 10         | ÉCROU POUR TUBE Ø 10           | MUTTER FÜR SCHLAUCH Ø 10       |
| OMNIA TAV.311 | 40 | RTCU900012 | BICONO D.10                       | DOUBLE CONE D.10          | BICONE D.10                    | DOPPELKONUS D.10               |
| OMNIA TAV.311 | 41 | RTCU700259 | RUB.V.CUC.G4S7 S21/7988B2         | TAP                       | ROBINET                        | HAHN                           |
| OMNIA TAV.311 | 42 | RTCU700373 | T/COPPIA 30 P.L.G4SF7 G1712215    | THERMOCOUPLE CM. 30       | THERMOCOUPLE CM. 30            | THERMOELEMENT CM. 30           |
| OMNIA TAV.311 | 43 | RTCU700374 | T/COPPIA 50 P.L.G4SF7 G1712214    | THERMOCOUPLE CM. 50       | THERMOCOUPLE CM. 50            | THERMOELEMENT CM. 50           |
| OMNIA TAV.311 | 44 | RTBF800021 | GOMMINO PORTA GBM90 C             | RUBBER CUP                | BOUCHON EN CAUTCHOUC           | TÜRGUMMI                       |
| OMNIA TAV.311 | 45 | RTCU700372 | PILOTA P.L.+IN.035 G4SF7 GK803MBM | PILOT                     | VEILLEUSE                      | PILOTBRENNER                   |
| OMNIA TAV.311 | 47 | RTCU700391 | DADO FIS.T/COPPIA G4SF7 G6049023  | NUT FOR THERMOCOUPLE      | ÉCROUR OUR THERMOCOUPLE        | MUTTER FÜR THERMOELEMENT       |
| OMNIA TAV.311 | 48 | RTBF900054 | VISORE+VET+2 GUARN.               | SPY-HOLE                  | JUDAS                          | MONITOR                        |
| OMNIA TAV.311 | 49 | PACU700431 | TU.AL.BRUC.SX GFT77               | FEEDING PIPE FOR BURNER   | TUBE D'ALIMENTATION BRÛLEUR    | BRENNERVERSORGUNGSROHR         |
| OMNIA TAV.311 | 50 | RTCU700344 | MANOP.TERM.GBM47 TURCH.           | THERMOSTAT HANDLE         | POIGNÉE THERMOSTAT             | THERMOSTATKUGELGRIFF           |
| OMNIA TAV.311 | 51 | RTCU700388 | BY-PASS RUB.22S D.070 0859/9      | THERMOSTAT BY-PASS Ø 0,70 | BY-PASS THERMOSTST Ø 0,70      | BYPASSVENTIL THERMOSTAT Ø 0,70 |
| OMNIA TAV.311 | 52 | RTCU700289 | T.G.G4SF7 150-300/095 990017      | GAS THERMOSTAT            | THERMOSTAT GAZ                 | GAS THERMOSTAT                 |
| OMNIA TAV.311 | 53 | RTCU700296 | T/COPPIA 40 0290083/TARGET        | THERMOCOUPLE              | THERMOCOUPLE                   | THERMOELEMENT                  |
| OMNIA TAV.311 | 54 | RTCU800182 | CALOTTA AC. D.6                   | CAP D.6                   | CALOTTE D.6                    | MUTTER D.6                     |
| OMNIA TAV.311 | 55 | RTCU800183 | CALOTTA AC. D.6                   | CAP D.6                   | CALOTTE D.6                    | MUTTER D.6                     |
| OMNIA TAV.311 | 56 | RTCU700020 | ACC.PIEZO+DADO C4F70              | PIEZO LIGHTING            | ALLUMAGE PIEZO                 | PIEZOELEKTRISCHER ANZÜNDER     |
| OMNIA TAV.311 | 57 | RTCU700361 | CAVO ACC.GFT47/25(B+B)            | CABLE FOR PIEZO LIGHTING  | CABLE D'ALLUMAGE               | ZÜNDKABEL                      |
| OMNIA TAV.311 | 58 | PACU700742 | TU.PILOTA BRUC.G4SM7              | PILOT PIPE                | TUBE ALIMENTATION VEILLEUSE    | PILOTBRENNERROHR               |
| OMNIA TAV.311 | 59 | RTCU900337 | SUPPORTO INIET.F+PLACCA C4F       | INJECTOR SUPPORT          | SUPPORT INJECTEUR              | EINSPRITZHALTERUNG             |
| OMNIA TAV.311 | 60 | RTCU900005 | C/DADO SUPP.INIET.PLACCA          | INJECTOR SUPPORT LOCK NUT | CONTRE ÉCROU SUPPORT INJECTEUR | GEGENMUTTER                    |
| OMNIA TAV.311 | 62 | RTCP800034 | CORPO PIL. G100                   | PILOT                     | PILOT                          | PILOTBRENNER                   |
| OMNIA TAV.311 | 63 | RTCP800033 | CAND.ROT.G100                     | ROUND SPARK               | ELEKTRODE BUGIE RONDE          | ZÜNDKERZE                      |
| OMNIA TAV.311 | 65 | RTCP800038 | RACCORDO T/C PIL. D. 036 G100     | THERMOCOUPLE FITTING      | RACCORD THERMOCOUPLE           | ANSCHLUßSTÜCK                  |
| OMNIA TAV.311 | 66 | RTCU700028 | GRIGLIA RIDUZ.S.70 NICH.          | REDUCTION GRATE           | GRILLE DE REDUCTION            | REDUZIERROST                   |
| OMNIA TAV.311 | 68 | RTCU900013 | CALOTTA D.10                      | NUT                       | ECROU                          | MUTTER                         |
| OMNIA TAV.311 | 69 | RTCU700407 | PIASTRINA FIS.PILOTA G4SF7        |                           | PLAT VEILLEUSE                 | TELLER PILOTBRENNER            |



# TAV 320

G4SF7-G6SFA7-G2SDMF7-G2SSMF7  
 GTF7-GT2SDFA7-GT2SSFA7-GT4SF27  
 GT4SFA7

| TABLE         | POS. | CODE       | ITALIAN                        | ENGLISH                       | FRANÇAIS                            | DEUTSCH                      |
|---------------|------|------------|--------------------------------|-------------------------------|-------------------------------------|------------------------------|
| OMNIA TAV.320 | 1    | PACU700569 | PORTA FORNO G4SF7              | OVEN DOOR                     | PORTE FOUR                          | OFENTÜR                      |
| OMNIA TAV.320 | 2    | PACU700447 | MANIGLIA F.RAG.G4SF7/457       | OVEN DOOR HANDLE              | POIGNÉE PORTE FOUR                  | OFENTÜRGRIFF                 |
| OMNIA TAV.320 | 3    | RTCU700291 | TERMINALE MAN.F.G47 RAG.TURCH. | HANDLE                        | POIGNÉE                             | HANDGRIFF                    |
| OMNIA TAV.320 | 4    | RTCU900027 | CERN.P.F.SX C4F 45010952       | OVEN DOOR LEFT HINGE          | CHARNIÈRE GAUCHE PORTE DU FOUR      | LINKE OFENTÜRANGEL           |
| OMNIA TAV.320 | 5    | RTCU900026 | CERN.P.F.DX C4F 45010951       | OVEN DOOR RIGHT HINGE         | CHARNIÈRE DROITE PORTE DU FOUR      | RECHTE OFENTÜRANGEL          |
| OMNIA TAV.320 | 6    | RTCU900004 | P/RULLINO CERN.F.4GIPR000159   | HINGE SUPPORT                 | SUPPORT CHARNIÈRE                   | SCHARNIERROLLENTRÄGER        |
| OMNIA TAV.320 | 8    | RTCU800097 | GUARNIZ.P.F.G4SF               | OVEN DOOR GASKET              | GARNITURE PORTE                     | TÜRDICHTUNG                  |
| OMNIA TAV.320 | 9    | RTCU700342 | GRIGLIA LAT.F.G4SF7            | OVEN LATERAL GRATE            | GRILLE LATÉRALE DU FOUR             | OFENROST                     |
| OMNIA TAV.320 | 10   | RTCU700341 | GRIGLIA F.G4SF7                | GRATE                         | GRILLE                              | ROST                         |
| OMNIA TAV.320 | 11   | RTCU700002 | AT.GRIGLIA LAT.F.C470          | GRATE CONNECTION              | ATTAQUE LATÉRAL                     | SEITENANSCHLUSS              |
| OMNIA TAV.320 | 12   | PACU700587 | CONV.ARIA BRUC.F.G4SF7         | AIR CONVEYOR                  | CONVOYEUR AIR                       | LUFTFÖRDERER                 |
| OMNIA TAV.320 | 19   | RTCU700344 | MANOP.TERM.GBM47 TURCH.        | THERMOSTAT HANDLE             | POIGNÉE THERMOSTAT                  | THERMOSTATKUGELGRIFF         |
| OMNIA TAV.320 | 20   | RTCU700289 | T.G.G4SF7 150-300/095 990017   | GAS THERMOSTAT                | THERMOSTAT GAZ                      | GAS THERMOSTAT               |
| OMNIA TAV.320 | 22   | RTCU900061 | T/COPPIA 120 0290091/TARGET    | THERMOCOUPLE CM. 120          | THERMOCOUPLE CM. 120                | THERMOELEMENT CM. 120        |
| OMNIA TAV.320 | 23   | RTCU700297 | CALOTTA D.10 FIS/USC.RUB.V.21S | NUT FOR PIPE Ø 10             | ÉCROU POUR TUBE Ø 10                | MUTTER FÜR SCHLAUCH Ø 10     |
| OMNIA TAV.320 | 24   | RTCU900012 | BICONO D.10                    | DOUBLE CONE D.10              | BICONE D.10                         | DOPPELKONUS D.10             |
| OMNIA TAV.320 | 25   | RTCU900018 | BICONO D.6 PEL0905             | BICONE FOR PIPE Ø 6           | BICONE POUR TUBE Ø 6                | ZWEIKEGEL Ø 6                |
| OMNIA TAV.320 | 26   | RTCU900019 | CALOTTA D.6 PEL0903/1          | NUT FOR PIPE Ø 6              | ÉCROU POUR TUBE Ø 6                 | MUTTER FÜR SCHLAUCH Ø 6      |
| OMNIA TAV.320 | 27   | RTCU900013 | CALOTTA D.10                   | NUT                           | ECROU                               | MUTTER                       |
| OMNIA TAV.320 | 29   | RTCU700020 | ACC.PIEZO+DADO C4F70           | PIEZO LIGHTING                | ALLUMAGE PIEZO                      | PIEZOELEKTRISCHER ANZÜNDER   |
| OMNIA TAV.320 | 30   | RTCU700410 | CAVO ACC.F.G6SFA7/190(B+B)     | LIGHTING CABLE                | CABLE D'ALLUMAGE                    | ZÜNDKABEL                    |
| OMNIA TAV.320 | 31   | PACU700574 | TU.AL.BRUC.F.G4SF7             | FEEDING PIPE BURNER           | TUBE ALIMENTATION BRÛLEUR           | BRENNERVERSORGUNGSROHR       |
| OMNIA TAV.320 | 32   | PACU700588 | TU.PILOTA F.G4SF7              | FEEDING PIPE PILOT            | TUBE ALIMENTATION VEILLEUSE         | PILOTBRENNERROHR             |
| OMNIA TAV.320 | 33   | RTCU700377 | BRUC.F.G4SF7                   | OVEN BURNER                   | BRÛLEUR FOUR                        | OFENBRENNER                  |
| OMNIA TAV.320 | 34   | RTCP800034 | CORPO PIL. G100                | PILOT                         | PILOT                               | PILOTBRENNER                 |
| OMNIA TAV.320 | 35   | RTCP800033 | CAND.ROT.G100                  | ROUND SPARK                   | ELEKTRODE BUGIE RONDE               | ZÜNDKERZE                    |
| OMNIA TAV.320 | 36   | RTCP800038 | RACCORDO T/C PIL. D. 036 G100  | THERMOCOUPLE FITTING          | RACCORD THERMOCOUPLE                | ANSCHLUßSTÜCK                |
| OMNIA TAV.320 | 37   | RTCP800041 | INIET.PIL.D.019 G100 0977092   | INJECTOR PILOT Ø 0,19 FOR LPG | INJECTEUR VEILLEUSE Ø 0,19 POUR GPL | FLÜSSIGGASEINSPRITZER Ø 0,19 |
| OMNIA TAV.320 | 38   | RTCU900337 | SUPPORTO INIET.F+PLACCA C4F    | INJECTOR SUPPORT              | SUPPORT INJECTEUR                   | EINSPRITZHALTERUNG           |