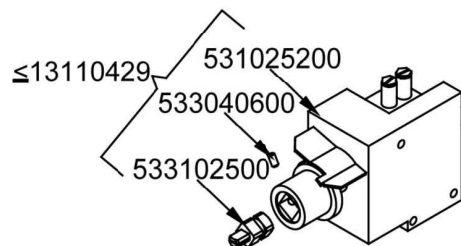
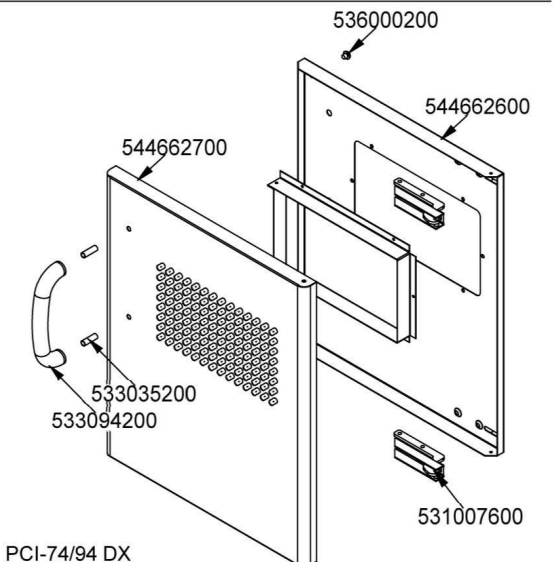
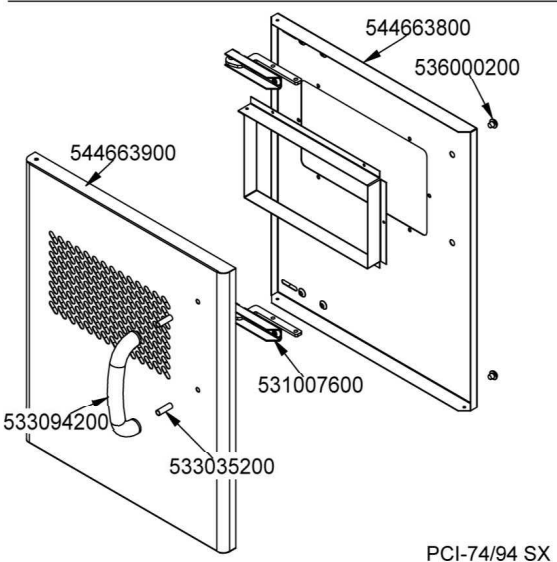
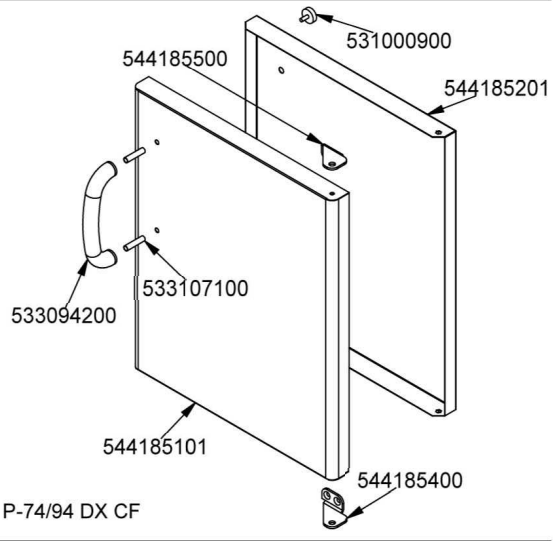
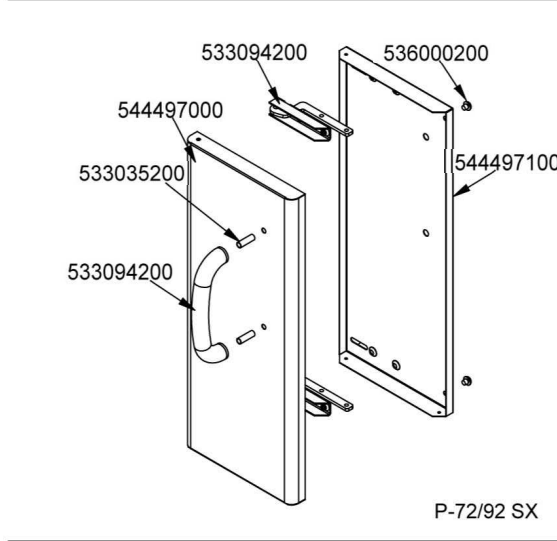
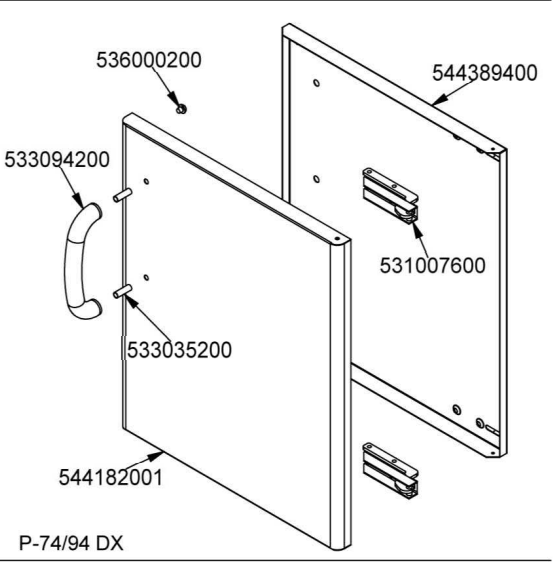
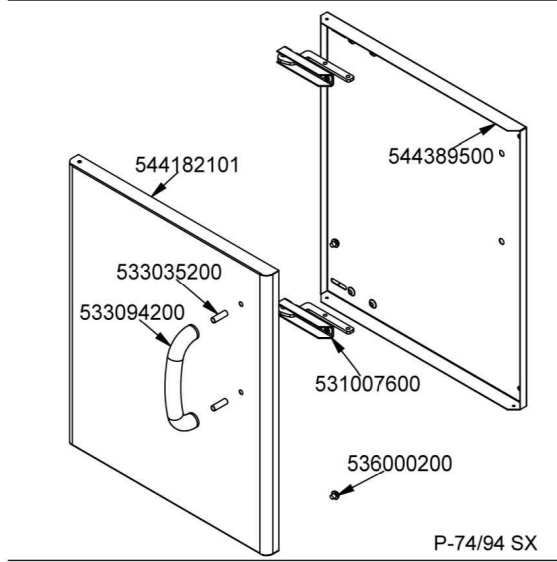
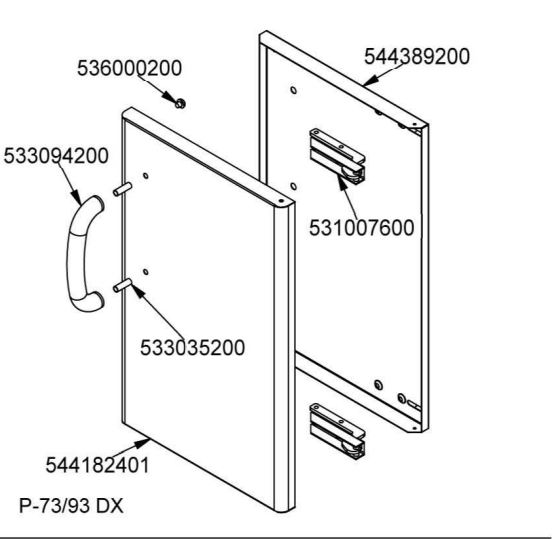


	*	**
G30-28+30mbar G31- 37mbar	533020200	533043200
G30- 50mbar	533020200	533043700
G20- 20mbar G25- 25mbar	533020400	533030900
G20- 20mbar DE-AT	533020400	533030900
G25- 20mbar	533020400	533019400
G25- 25mbar NL	533020400	533030200





Page	Pos	Code	Description
001		541156900	DISCHARGE PROTECTION S70
001		532004100	FLUE GRID L=370 90LINE (RAF
001		531053400	BASKET FOR F2/8 G/E 121X301X150
001		541134100	LOW SPACER 74 1 GRID
001		531054600	TANK FILTER FOR BASKET F2/8-G
001		544462300	TANK LID FOR F-70
001		533094200	S/S HANDLE FOR 70/90 SERIES
001		541158200	UPPER PLATE F2/ 8-74G
001		544173500	LEFT SIDE PANEL S.70
001		531018600	BALL VALVE 1"G M-F CPM-62G
001		537010000	SAFETY THERMOSTAT 220°C SINGLEPHASE
001		541141200	CONTROL PANEL S607090 F2/8-74G
001		533044401	M8 THREADED CAP FOR SEC.THERMOSTAT
001		544183901	LOWER CONTROL PANEL 78G
001		536005200	INOX LEG 2" 120-180 M10
001		544173400	RIGHT SIDE PANEL S.70
001		541224300	DRIP TRAY 9LTS.
001		541224400	DRIP TRAY 9LTS.
002		533011000	PILOT BURNER 3 FLAMES 320
002		533067200	THERMOCOUPLE 220+500 M9*1 CUT-OFF
002		533010400	BICONE D.6
002		533018500	FITTING FOR BICONE D.6 M10*1
002		533085200	SPACER FOR PILOT PLUG
002		537008300	ROUND PLUG §2,4- LONG ELECTRODE
002		533018600	PLUG FITTING
002		547003200	HIGH-VOLTAGE CABLE TUBE.§2 L=500
002		533010800	TUBE NUT D.10 M16*1,5
002		533039300	BICONE §10
002		531025600	ELBOW 90° NOZZLE-HOLDER §10 PIPE
002		533010900	NUT M14*1 H.4
002		544378000	BOCCOLA REG.ARIA BRU.F13T S70
002		531035800	BURNER FOR FRYER F13T
002		536005100	GRAPHITE §07,4 GASKET
002		533008600	STUFFING BOX M9*1
002		533017900	BICONE D.12
002		533018000	ELBOW FOR BICONE D.12 3/8 RS L20
002		539018900	INDEX FOR KNOB W/RED SIGN
002		531025201	EUROSIT VALVE FQ 110-190°C
002		533139300	BURNISH HEADLESS SCREW M05*05 PCEI
002		533139200	SHORT PIVOT FOR BRASS KNOB
002		536034500	KNOB §77 4P. §08*6,5
002		533039100	BICONE §6
002		533009500	NIPPLE FOR BICONE 10S
002		533009400	BICONE 10S
002		533053600	EUROSIT VALVE PLUG
002		539062400	RED STICKING DISK 72 (110,190°
002		539054200	STAMP Ø20,5 CR."L" LOTUS R.
002		537002800	PIEZOELECTRIC IGNITION M18 WITH NUT
002		531025200	EUROSIT VALVE FQ 110-190°C
002		533040600	HEADLESS SCREW M4*8
002		533102500	SHORT PIVOT FOR PLASTIC KNOB

Page	Pos	Code	Description
002		533020200	PILOT JETS 0160 FOR LPG §30
002		533020400	NOZZLE 0160 (NATURAL GAS) 51
002		533043200	NOZZLE §110 G30 (LPG) CH12X14
002		533043700	NOZZLE §98 CH12*14 G-FQ/FP/CP65
002		533030900	NOZZLE §165 CH12X14 H-CW
002		533019400	NOZZLE §180 CH12*14 L-FQ5
002		533030200	NOZZLE §170 CH12*14 MH-FG L-FP/CW
003		544389300	CONTROP.73 SX APP. LT
003		531007600	DOOR HINGE
003		544182501	LEFT DOOR 73
003		533094200	S/S HANDLE FOR 70/90 SERIES
003		533035200	HANDLE SPACER
003		536000200	D.12 H.4 BUMPER
003		544389200	CONTROP.73 DX APP. LT
003		544182401	RIGHT DOOR 73
003		544182101	LEFT DOOR 74
003		544389500	INNER-DOOR OF LHD 74
003		544389400	CONTROP.74 DX APP. LT
003		544182001	RIGHT DOOR 74
003		544497000	PORTA 72 SX
003		544497100	CONTROP.72 SX APP. LT
003		544185101	RIGHT DOOR 74 CF
003		533107100	HANDLE SPACER OF CF-70
003		544185500	UPPER DOOR HINGE FOR COMPARTME CF70
003		531000900	MAGNET §22 KG.3 WITH DISK
003		544185201	INNER DOOR * 74DX
003		544185400	LOWER DOOR HINGE FOR COMPARTME CF70
003		544663900	LHD 74 DOOR FOR PCI
003		544663800	74 LHD OVEN INNER DOOR FOUR PCI
003		544662700	DOOR 74 DX PCI
003		544662600	CONTROP.74 DX APP. LT PCI