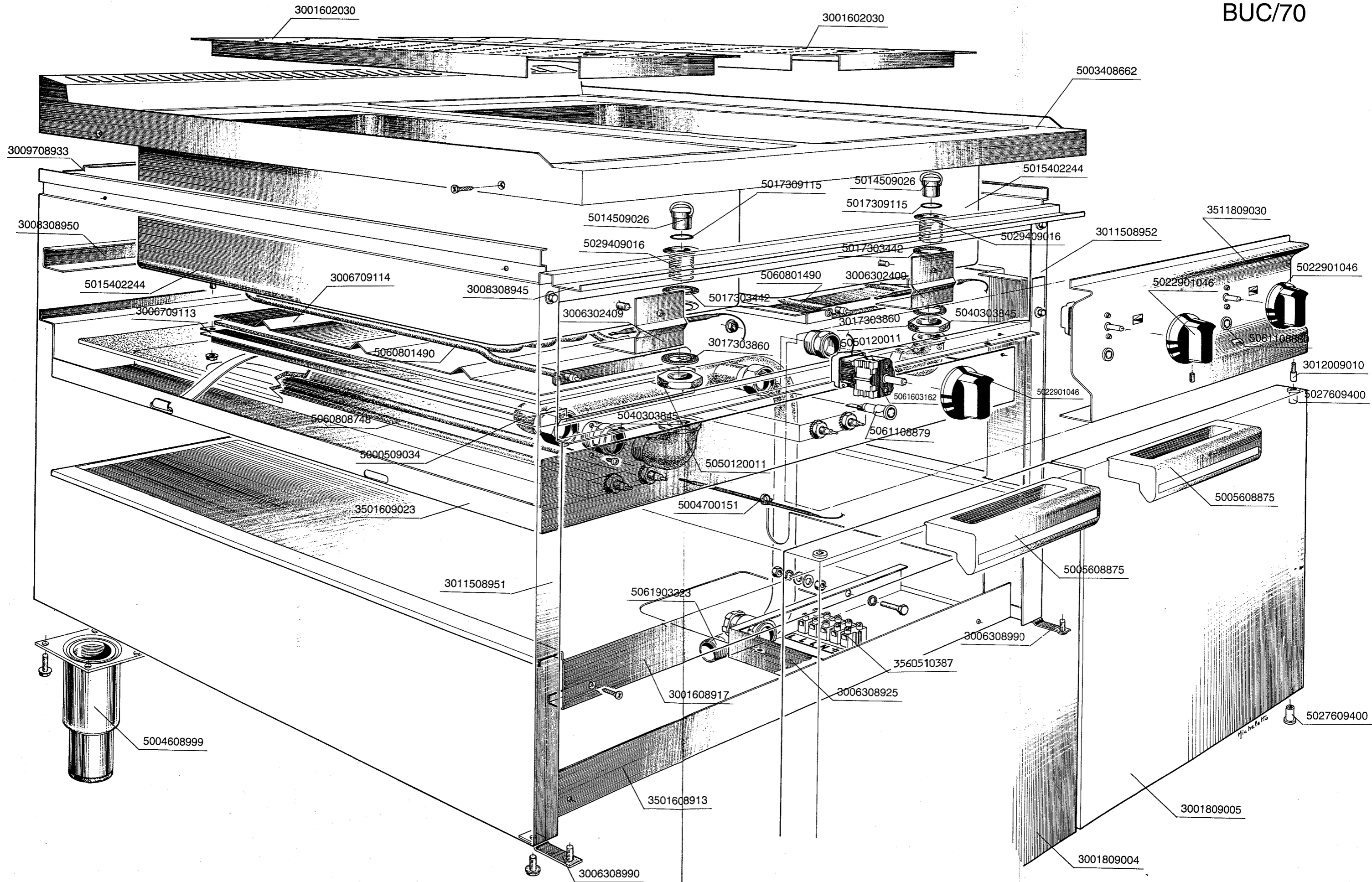


BUC/70



0114810047

ELEKTRO WASSERBAD

BAGNOMARIA ELETTRICO

ELECTRIC BAIN-MARIE

BAIN MARIE ELECTRIQUE

BUC/70 PAG.1

COD.	BESCHREIBUNG	DESCRIZIONE	DESCRIPTION	DESCRIPTION	QUANT.
3000808926	ABDECKUNG KABEL	PROTEZIONE CAVI	WIRING PROTECTION	PROTECTION CABLES	1
3000809018	ABDECKUNG BODEN ELT.	COPERTURA FONDO ELT.	BOTTOM COVER ELEC.	PROTECTION FOND ELEC.	1
3000809045	ABDECKUNG SCHALT. LINKS	PROTEZIONE PANN. SINISTRA	PAN. PROTECTION LEFT	PROTECTION PANN. GAUCHE	1
3000809046	ABDECKUNG SCHALT. RECHTS	PROTEZIONE PANN. DESTRA	PAN. PROTECTION RIGHT	PROTECTION PANN. DROITE	1
3001602030	BODEN GELOCHT	FONDO FORATO	BOTTOM DRILLED	FOND A TROUS	1
3001608917	BODEN INNEN	FONDO INTERNO	BOTTOM INTERNAL	FOND INTERNE	2
3001809004	BLENDE TÜR LINKS	BOMBATO PORTINA SINISTRA	CONV. DOOR SECT. LEFT	PORTE BOMBEE GAUCHE	1
3001809005	BLENDE TÜR RECHTS	BOMBATO PORTINA DESTRA	CONV. DOOR SECT. RIGHT	PORTE BOMBEE DROITE	1
3003009156	DISTANZSTÜCK EINFASSUNG	DISTANZIALE PIANO	HOB SPACER	ENTRETOISE PLAN	1
3003009288	DISTANZSTÜCK BODEN	DISTANZIALE FONDO	BOTTOM SPACER	FOND PIECE INTERCALAIRE	4
3003408963	EINFASSUNG-VERBINDUNG	CANALETTO CONGIUNZIONE	CONNECTION STRIP	BANDE RACCORD	1
3005709008	GEGENBLENDE TÜR	CONTROBOMBATO PORTINA	DOOR COUNTER-SECT.	INTERIEUR PORTE	1
3006302409	HALTER FÜHLER	SUPPORTO BULBO	PROBE SUPPORT	SUPPORT SONDE	2
3006308925	HALTER KLEMME	SUPPORTO MORSETTO	TERMINAL SUPPORT	SUPPORT BORNE	2
3006308962	HALTER VERBINDUNG	SUPPORTO CANALETTO	CONNECTION SUPPORT	SUPPORT RACCORD	1
3006308990	HALTER SCHARNIER UNTEN	SUPPORTO CERNIERA INF.	HINGE SUPPORT BELOW	SUPPORT CHARNIERE INF.	3
3006309042	HALTER ISOLIERUNG	SUPPORTO ISOLAZIONE	INSULATION SUPPORT	SUPPORT ISOLATION	2
3006309103	HALTER GERÄTE	SUPPORTO APPARECCHIAT.	UNITS SUPPORT	SUPPORT APPAREILS	2
3006709113	ISOLIERBLECH AUSSEN	LAMIERA ISOLANTE ESTERNA	INSULATING PLATE EXT.	TOLE ISOLANTE EXTERNE	1
3006709114	ISOLIERBLECH INNEN	LAMIERA ISOLANTE INTERNA	INSULATING PLATE INNER	TOLE ISOLANTE INTERNE	2
3008308945	TRÄGER LÄNGS VORNE	PORTANTE LONG. ANTERIORE	MEMBER ALONG FRONT	PORTANT LONG DEVANT	2
3008308950	TRÄGER LÄNGS HINTEN	PORTANTE LONG. POSTER.	MEMBER ALONG REAR	PORTANT LONG ARRIERE	1
3009708933	RÜCKWAND	SCHIENA	BACK	DOS	1
3011508951	SEITENWAND UBO LINKS	FIANCO APERTO SINISTRA	OPEN SIDE LEFT	COTE OUVERT GAUCHE	1
3011508952	SEITENWAND UBO RECHTS	FIANCO APERTO DESTRA	OPEN SIDE RIGHT	COTE OUVERT DROITE	1
3012009010	SCHARNIER OBEN	CERNIERA SUPERIORE	HINGE ABOVE	CHARNIERE HAUT	1
3014208894	VERSTÄRKUNG TRÄGER	RINFORZO PORTANTE	RENFORCING SUPPORT	RENFORT PORTANT	2
3014208957	VERSTÄRKUNG GRIFF	RINFORZO MANIGLIA	RENFORCING HANDLE	RENFORT POIGNEE	1
3017303860	DICHTUNG 3/4"	GUARNIZIONE 3/4"	GASKET 3/4"	JOINT TORIQUE 3/4"	2
3026609087	PROFIL SCHUTZ HEIZKÖRPER	PROFILO PROT. RESISTENZA	PROFILE PROT. HEAT. ELEM.	PROFIL PROT. RESISTANCE	2
3029709146	MAGNET-GEGENSTÜCK	RISCONTRO CALAMITA	MAGNET-COUNTERPART	AIMANT PENDANT	2
3501608913	BODEN AUSSEN	FONDO ESTERNO	BOTTOM EXTERNAL	FOND EXTERNE	1
3501609023	BODEN HEIZKÖRPER OBEN	FONDO RESISTENZA SUPER.	HEAT. ELEM. BOTTOM AB.	FOND RESISTANCE HAUT	1
3511809030	SCHALTBLLENDE	PANNELLO COMANDO	CONTROL PANEL	PANNEAU COMMANDE	1

COD.	BESCHREIBUNG	DESCRIZIONE	DESCRIPTION	DESCRIPTION	QUANT.
0114810047	ELEKTRO WASSERBAD	BAGNOMARIA ELETTRICO	ELECTRIC BAIN-MARIE	BAIN MARIE ELECTRIQUE	BUC/70 PAG.2
3560510387	ANSCHLUSSKLEMME 5 POLIG	MORSETTIERA 5 POLI	TERMINAL 5 POLE	BORNE 5 POLES	PA/76SEZ 6 1
3560510391	ANSCHLUSSKLEMME 4 POLIG	MORSETTIERA 4 POLI	TERMINAL 4 POLE	BORNE 4 POLES	PA/220SEZ 16 1
5000509034	ROHR WASSERABLAUF	TUBO SCARICO ACQUA	WATER DRAIN PIPE	TUYAU DECHARGE EAU	BU/70 1
5003408662	EINFASSUNG	PIANO COTTURA	HOB	PLAN DE CUISSON	BU/70 1
5004608999	FUSS RUND 1 1/2"	PIEDINO TONDO 1 1/2"	FOOT ROUND 1 1/2"	PIED ROND 1 1/2"	CP/75 4
5004700151	FEDER RAPID	DISPOSITIVO DI FISSAGGIO	FIXATION SPRING	RESORT DE FIXAGE	C4434/2 2
5005608875	GRIFF TÜR	MANIGLIA PORTA	DOOR HANDLE	POIGNEE PORTE	CP/75 2
5013525744	KABELSATZ	IMPIANTO CAVI ELT.	WIRING SYSTEM	INSTAL. CABLES ELEC.	BUC/70 1
5014509026	VERSCHLUSS-STOPFEN	TAPPO CHIUSURA	DRAIN PLUG	BONDE DIEVIER	BU/35/70 2
5015402244	WANNE 1/1	VASCA BAGNOMARIA 1/1	PAN 1/1	CUVE 1/1	BM/35/70 2
5017303442	DICHTUNG O-RING	GUARNIZIONE O-RING	GASKET O-RING	JOINT TORIQUE O-BOUCLE	24,99x3,53 2
5017309115	DICHTUNG O-RING	GUARNIZIONE O-RING	GASKET O-RING	JOINT TORIQUE O-BOUCLE	BU/35/70 2
5022901046	SCHALTKNOPF 30°-110°	MANOPOLA 30°-110°	KNOB 30°-110°	POIGNEE 30°-110°	BOC/35 3
5026609014	PROFIL PVC	PROFILO PVC	PROFILE PVC	PROFIL PVC	F044 0,7
5027609400	ROLLE KUNSTSTOFF GERÄTE	BOCCOLA NYLON	BUSHING NYLON	BOUCLE NYLON	66 NATURAL 4
5029409016	ABLAUF 3/4" VERCHROMT	PILETTA SCARICO CROM. 3/4"	DRAIN STUB CHROME 3/4"	BONDE DECHAR. CHRO. 3/4"	BU/35/70 2
5029709133	MAGNET TÜR	MAGNETE PORTINA	DOOR MAGNET	AIMANT PORTE	S/75 2
5040303845	MUTTER 6KT VERZINKT 3/4"	DADO ES ZINCATO 3/4"	HEXAGONAL NUT ZINC. 3/4"	ECROU ES ZINGUE 3/4"	FIG.312 2
5050120011	BOGEN VERZINKT 3/4"	GOMITO ZINCATO 3/4"	ELBOW ZINC. 3/4"	COUDE ZINGUE 3/4"	FIG. 92 2
5060801490	HEIZKÖRPER 2000W 220V	RESISTENZA 2000W 220V	HEAT. ELEM. 2000W 220V	RESISTANCE 2000W 220V	BM/35/70 2
5060808748	HEIZKÖRPER 800W 220V	RESISTENZA 800W 220V	HEAT. ELEM. 800W 220V	RESISTANCE 800W 220V	WS/35 2
5061108879	GLIMMLAMPE NEON 380V	SIGNALATORE NEON 380V	INDIC. LIGHT NEON 380V	LAMPE TMOIN NEON 380V	T 150° C 3
5061108880	LINSE ROT	GEMMA ROSSA	CONTROL LIGHT RED	LAMPE TMOIN ROUGE	T 150° C 3
5061603162	THERMOSTAT + SCHALTER	TERMOSTATO+COMMUTATORE	THERMOSTAT + SWITCH	THERMOSTAT + COMM.	30°-110° C 3
5061903323	ZUGENTLASTER	PASSACAVI BACHEL.	PULL RELIEF	DECHARGE DE TRACTION	PG/21 N106 1
5209100364	KARTON SET FÜSSE	IMBALLO SET PIEDINI	CARTON SET FEETS	CARTON SET PIEDS	270x270x150 1