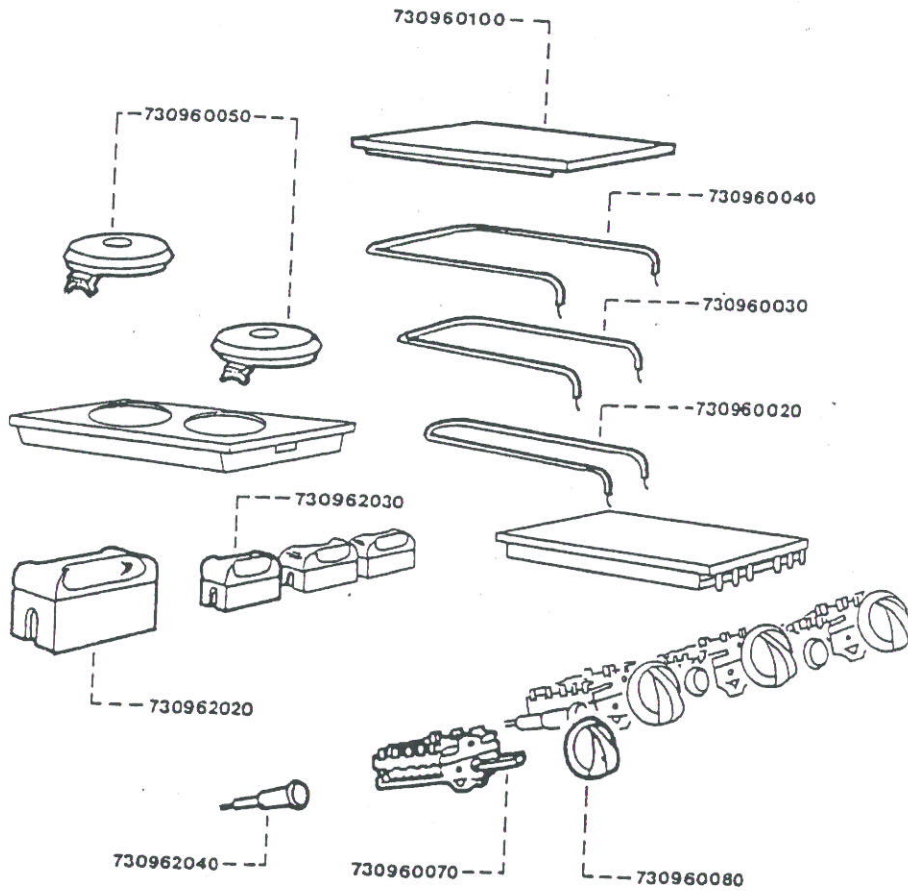


| Code | No.       | Description                   | Code | No.       | Description                   |
|------|-----------|-------------------------------|------|-----------|-------------------------------|
| 9L   | 730960010 | Rect. Hotplate Complete       | 1F   | 730963031 | Outer Side--Left Hand; Black  |
| 1E   | 730960090 | Hob Filling                   | 1F   | 730963041 | Outer Side--Right Hand; Black |
| 7F   | 730960100 | Hotplate Casting Only         | 9B   | 730963050 | Leg c/w Adjustable Foot       |
| 6F   | 730960110 | Round Hotplate Assembly       | 12K  | 730963062 | Door Assembly--Left Hand      |
| 3E   | 730960120 | Top Drip Trays                | 12K  | 730963072 | Door Assembly--Right Hand     |
| 1F   | 730961190 | Front Hob Rail                | 5D   | 730963092 | Control Panel                 |
| 7F   | 730961200 | Rear Hob Rail                 | 10C  | 730963121 | Side Drip Shed                |
| 8B   | 730962150 | Door Catch                    | 12C  | 730963160 | Cheek--Left Hand              |
| 6B   | 730962160 | Door Catch Keeper             | 12C  | 730963170 | Cheek--Right Hand             |
| 2B   | 730962170 | Door Handle c/w Gaskets       | 1E   | 730963180 | Oven Grid Shelf               |
| 7D   | 730962183 | Door Seal Set                 | 10C  | 730963190 | Oven Shelf Hanger             |
| 5C   | 730962190 | Hinge -- Top Left Hand        | 6A   | 730963200 | Oven Hanger Bracket           |
| 5C   | 730962200 | Hinge -- Top Right Hand       |      |           |                               |
| 5C   | 730962210 | Hinge -- Bottom Left Hand     |      |           |                               |
| 5C   | 730962220 | Hinge -- Bottom Right Hand    |      |           |                               |
| 3E   | 730962230 | Oven Drip Tray                |      |           |                               |
| 2D   | 730962250 | Oven Bottom Plate             |      |           |                               |
| 5G   | 730963012 | Outer Side -- Left Hand; s/s  |      |           |                               |
|      | 730963022 | Outer Side -- Right Hand; s/s |      |           |                               |

Sheet Reference Number

E1100/1182/003





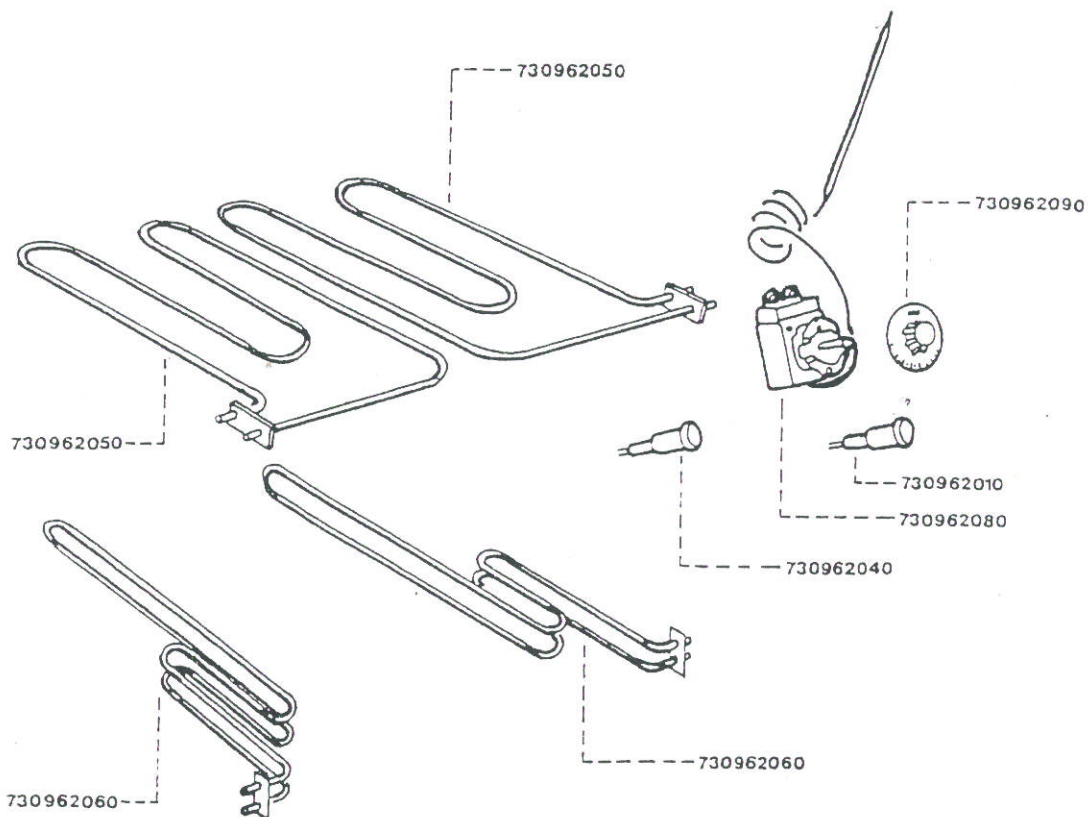
| Code | No.       | Description                   |
|------|-----------|-------------------------------|
| 6E   | 730960020 | Inner Hotplate Element        |
| 8E   | 730960030 | Intermediate Hotplate Element |
| 10E  | 730960040 | Outer Hotplate Element        |
| 5E   | 730960050 | Round Hotplate                |
| 8C   | 730960070 | Control Switch                |
| 1B   | 730960080 | Control Knob                  |
| 7F   | 730960100 | Hotplate (Casting only)       |
| 11C  | 730962020 | 30 amp Fuse Assembly          |
| 9C   | 730962030 | 20 amp Fuse Assembly          |
| 7B   | 730962040 | Pilot Lamp (Amber)            |

730962010 MAIN PILOT LAMP RED.  
730960114 ROUND HOTPLATE ASSY COMPLETE.

Sheet Reference Number

E1100/1182/004





| <u>Code</u> | <u>No.</u> | <u>Description</u>     |
|-------------|------------|------------------------|
| 7B          | 730962010  | Mains Pilot Lamp (Red) |
| 7B          | 730962040  | Pilot Lamp (Amber)     |
| 3F          | 730962050  | Top Oven Element       |
| 6F          | 730962060  | Bottom Oven Element    |
| 1F          | 730962080  | Thermostat             |
| 6B          | 730962090  | Thermostat Knob        |

Sheet Reference Number

E1100/1182/008

