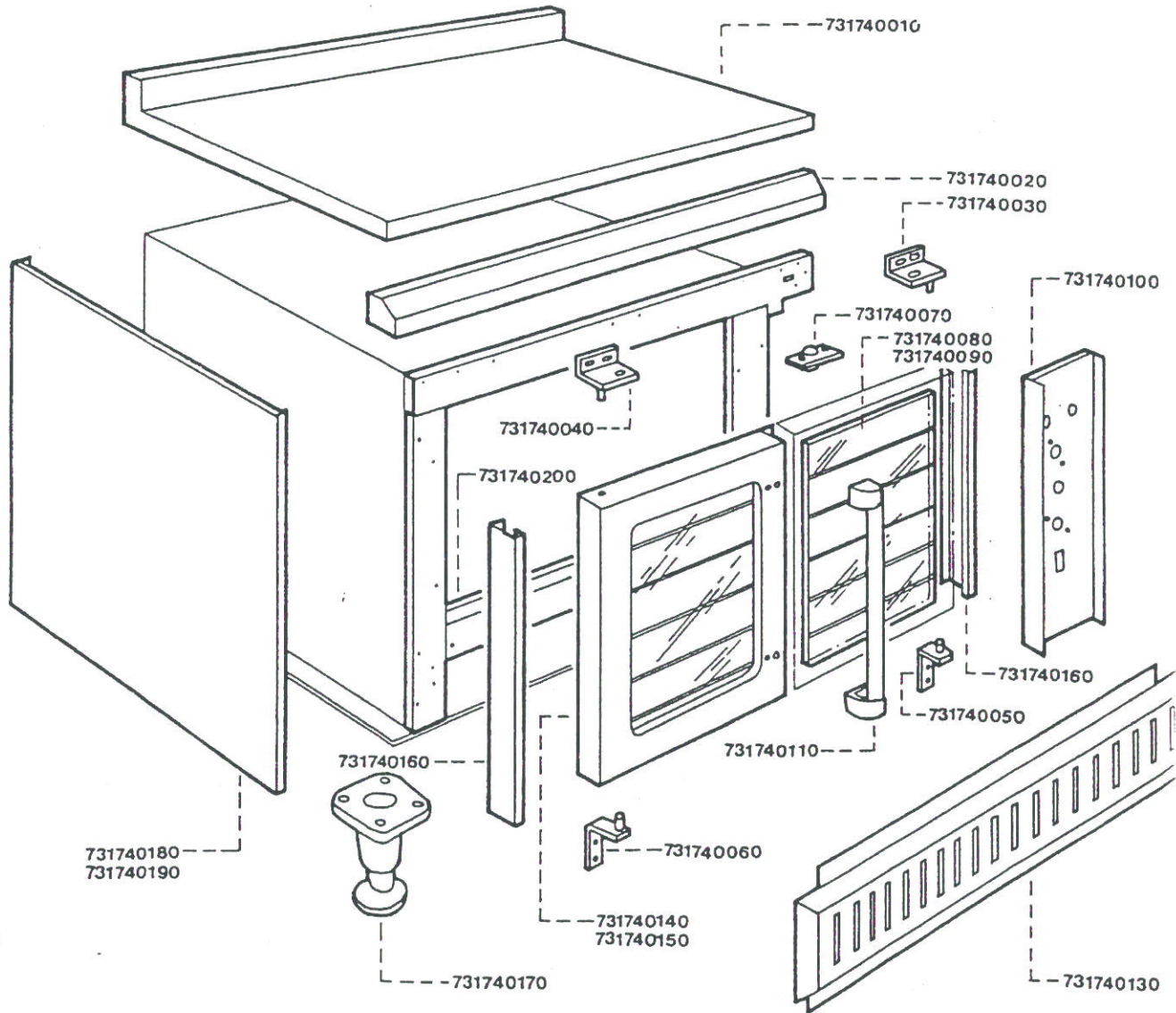


E1112 CONVECTION OVEN

Ove
Fitment



Code	No.	Description
11H	731740010	Worktop
1E	731740020	Hinge Cover
2B	731740030	Top Hinge—RH
2B	731740040	Top Hinge—LH
2B	731740050	Bottom Hinge—RH
2B	731740060	Bottom Hinge—LH
8B	731740070	Door Catch
5D	731740080	Door Glass—Clear Inner
7D	731740090	Door Glass—Lined Outer
4D	731740100	Control Panel

Code	No.	Description
*	731740110	Door Handle Assembly
12E	731740130	Bottom Front Grille
12J	731740140	Door Assembly—RH
11J	731740150	Door Assembly—LH
4B	731740160	Front Vertical Trim
9B	731740170	Adjustable Leg c/w Foot
2F	731740180	Outer Side Panel RH
2F	731740190	Outer Side Panel LH
9H	731740200	Front Frame

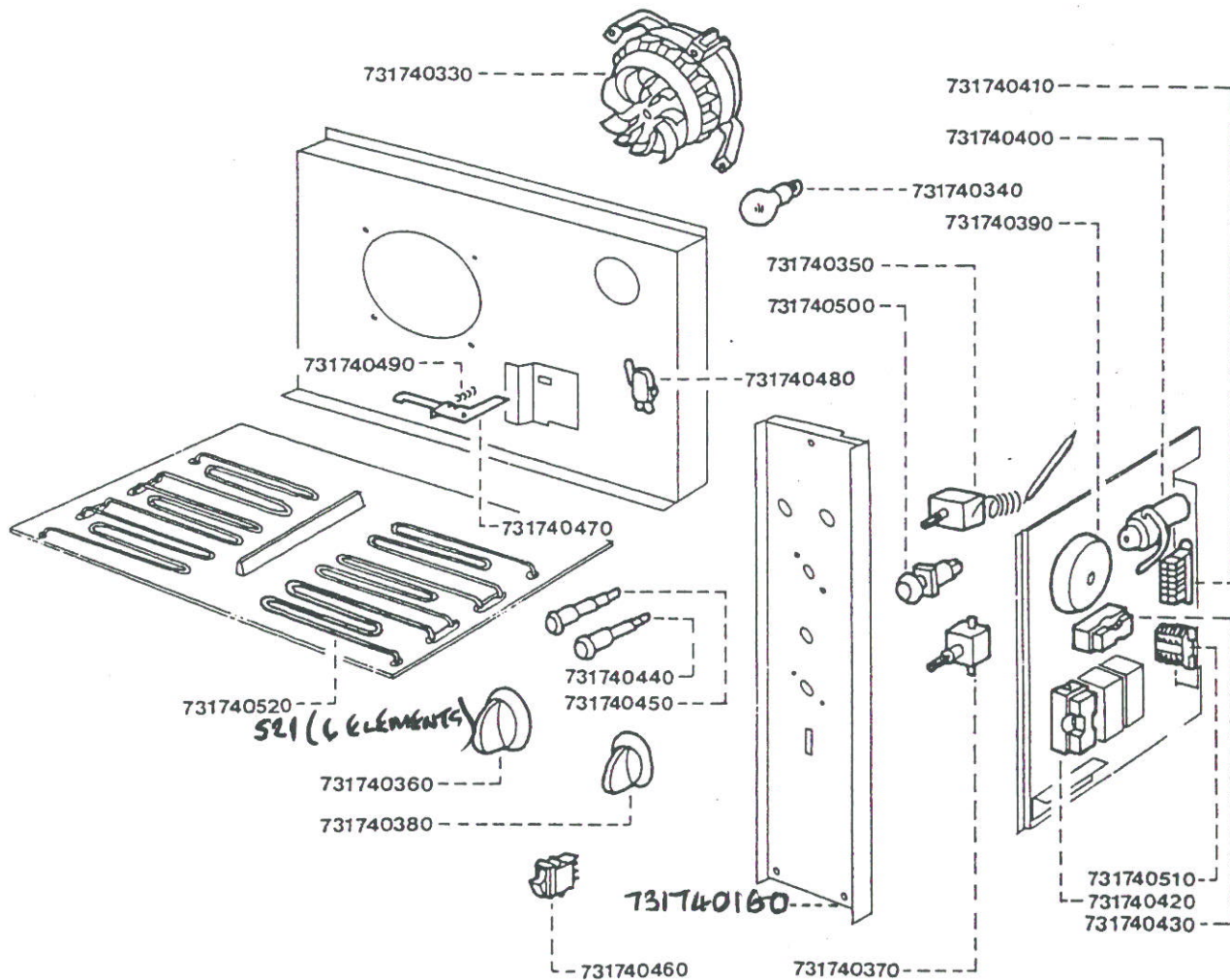
531740302 - Set of door seals c/w clips.

Sheet Reference Number

E1112/0583/001

E1112 CONVECTION OVEN (E1102 SAME)

Over
Electric



Code	No.	Description
6N	731740330	Fan Motor
4B	731740340	Oven Lamp
8E	731740360	Thermostat
6B	731740360	Control Thermostat Knob
11E	731740370	Timer
B06	731740380	Timer Knob
11C	731740390	Bell
2E	731740400	Capacitor
5F	731740410	Transformer
3A	731740420	Fuse 20A

731740481 - PRESSURE SWITCH

Code	No.	Description
3A	731740430	Fuse 5A
7B	731740440	Indicator Lamp - Amber
7B	731740450	Indicator Lamp - Red
3C	731740460	Power ON/OFF Switch
5C	731740470	Trip Lever
10C	731740480	Microswitch
4C	731740490	Spring
10C	731740500	Oven Lamp Switch
10G	731740510	Contactor
F12	731740520	Element

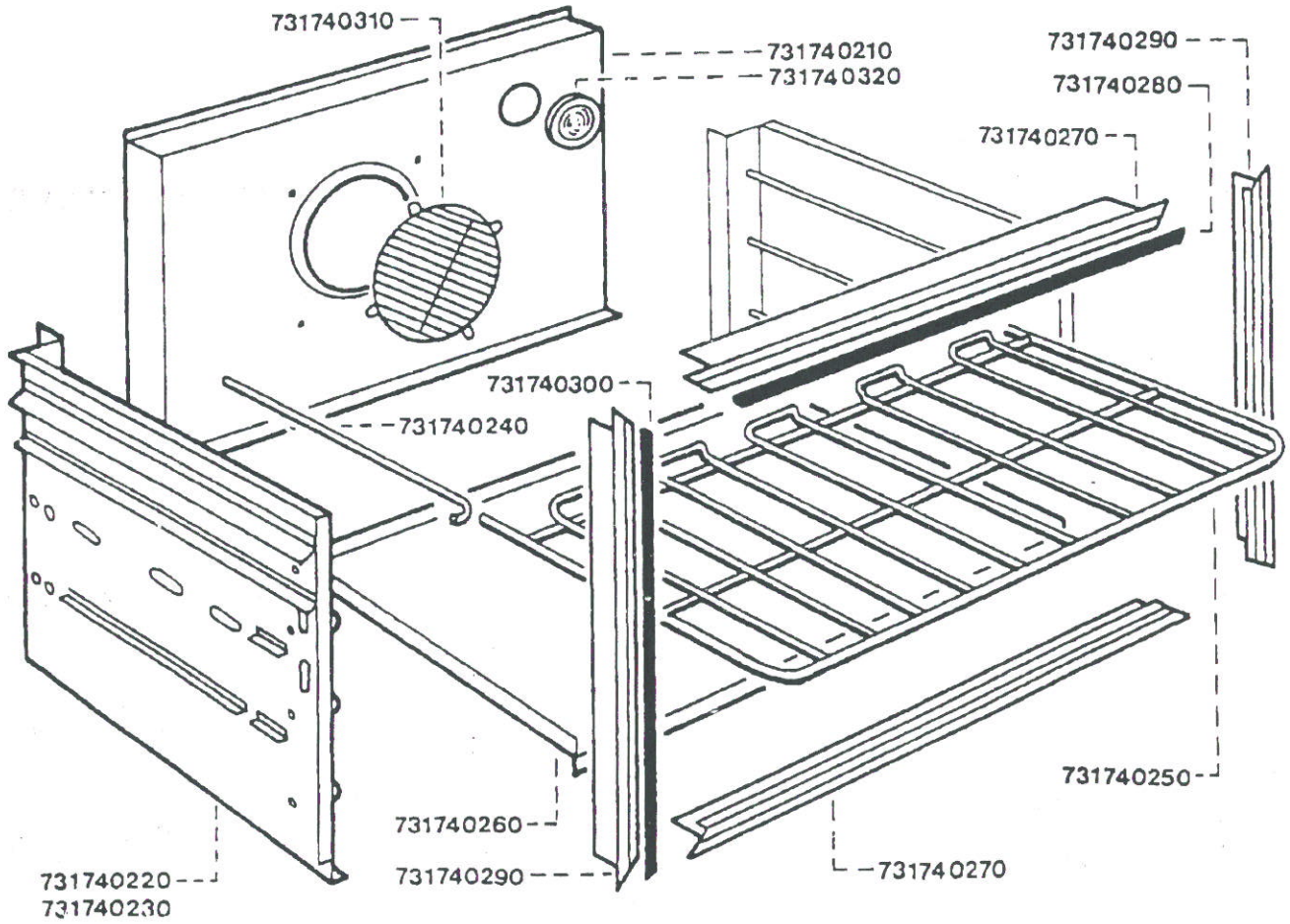
731740521 - SET OF 6 ELEMENTS

Sheet Reference Number:

E1112/0583/003

E1112 CONVECTION OVEN

Inner Oven Fitments



Code	No.	Description
12F	731740210	Oven Back Panel
7F	731740220	Oven Side Panel RH
7F	731740230	Oven Side Panel LH
9C	731740240	Shelf Runner
E02	731740250	Grid Shelf
7F	731740260	Oven Bottom Panel
2C	731740270	Horizontal Door Seal Trim
4C	731740280	Horizontal Door Seal
5C	731740290	Vertical Door Seal Trim
3C	731740300	Vertical Door Seal
7D	731740310	Fan Guard
8D	731740320	Oven Lamp Glass

Sheet Reference Number

E1112/0583/002