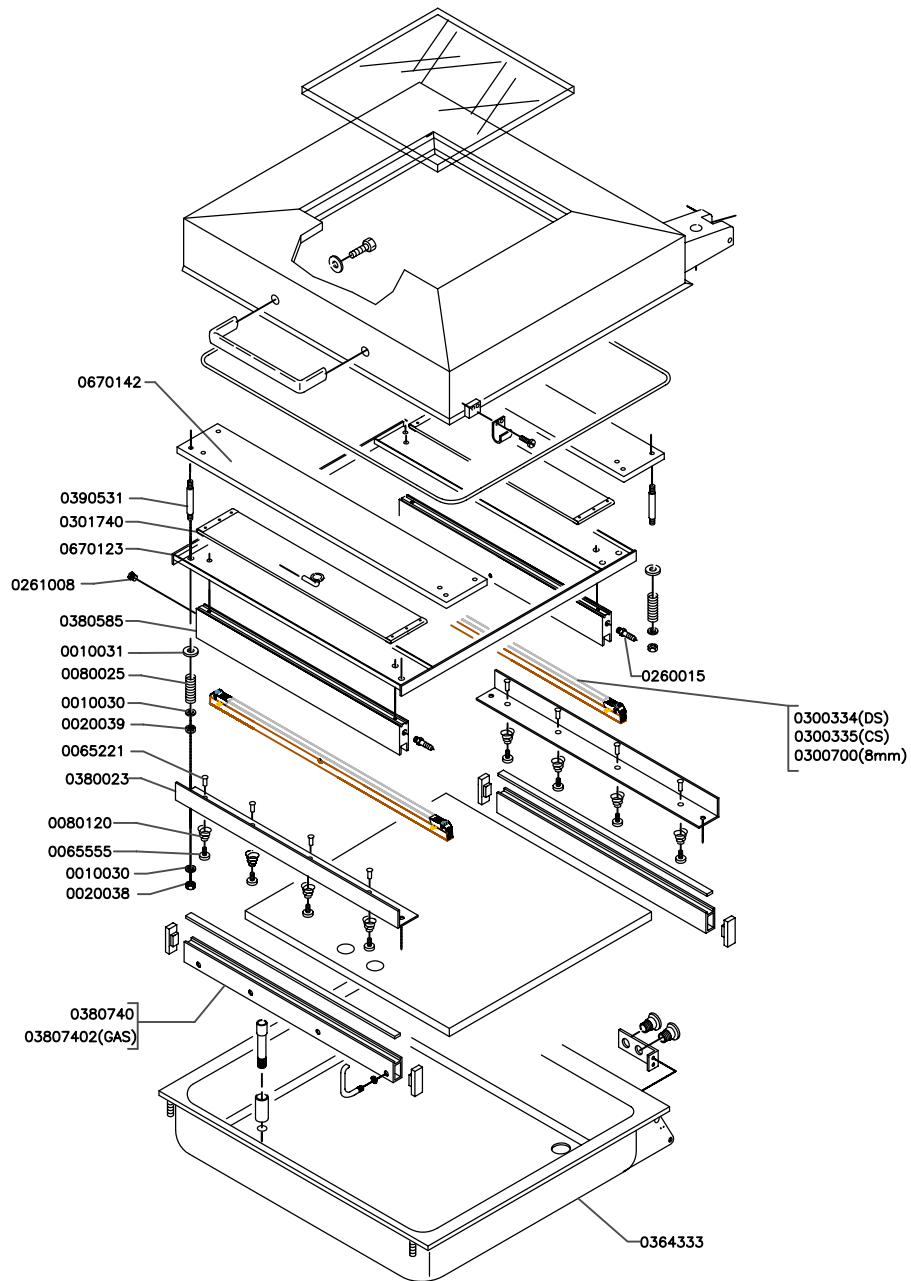
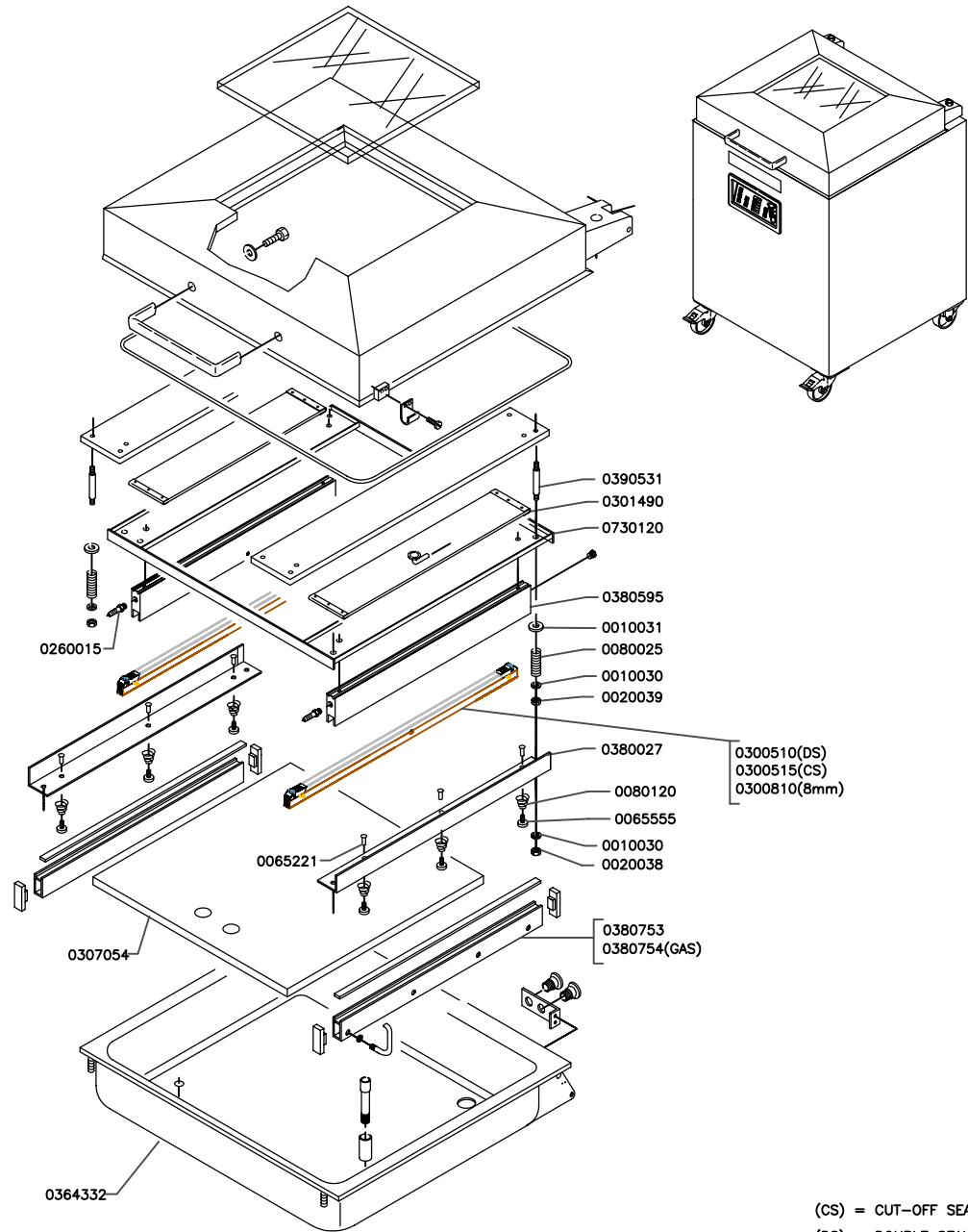


(CS) = CUT-OFF SEAL  
(DS) = DOUBLE SEAL  
(8mm) = 8mm SEAL

Scale:	Name:	Exploded View	
Date: Jan 2009	FALCON 80 (L-SHAPE)		
Drawn by: MD	A 4 Drawing: Page 2-3		
HENKELMAN B.V. P.O. box 2117 5202 CC 's-Hertogenbosch Tel. ++31(0)73 - 6213671 Fax ++31(0)73 - 6221318 The Netherlands		Rev. no: 050	

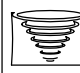


(LL)



(SS)

(CS) = CUT-OFF SEAL  
 (DS) = DOUBLE SEAL  
 (8mm) = 8mm SEAL

Scale:	Name: Exploded View
Date: Jan 2009	FALCON 80 SEAL CONFIG
Drawn by: MD	
 HENKELMAN B.V. P.O. box 2117 5202 CC 's-Hertogenbosch Tel. ++31(0)73 - 6213671 Fax ++31(0)73 - 6221318 The Netherlands	A 4 Drawing: Page 3-3
	Rev, no: 040
	Ownership explicitly reserved. Multiplication or information to third parties in any form is not permitted without written permission of the owner.