

# CME456R Service Parts

This parts list contains the parts numbers for the

- CME456 remote air cooled ice machine
- ERC111 remote condenser
- ERC211 remote condenser

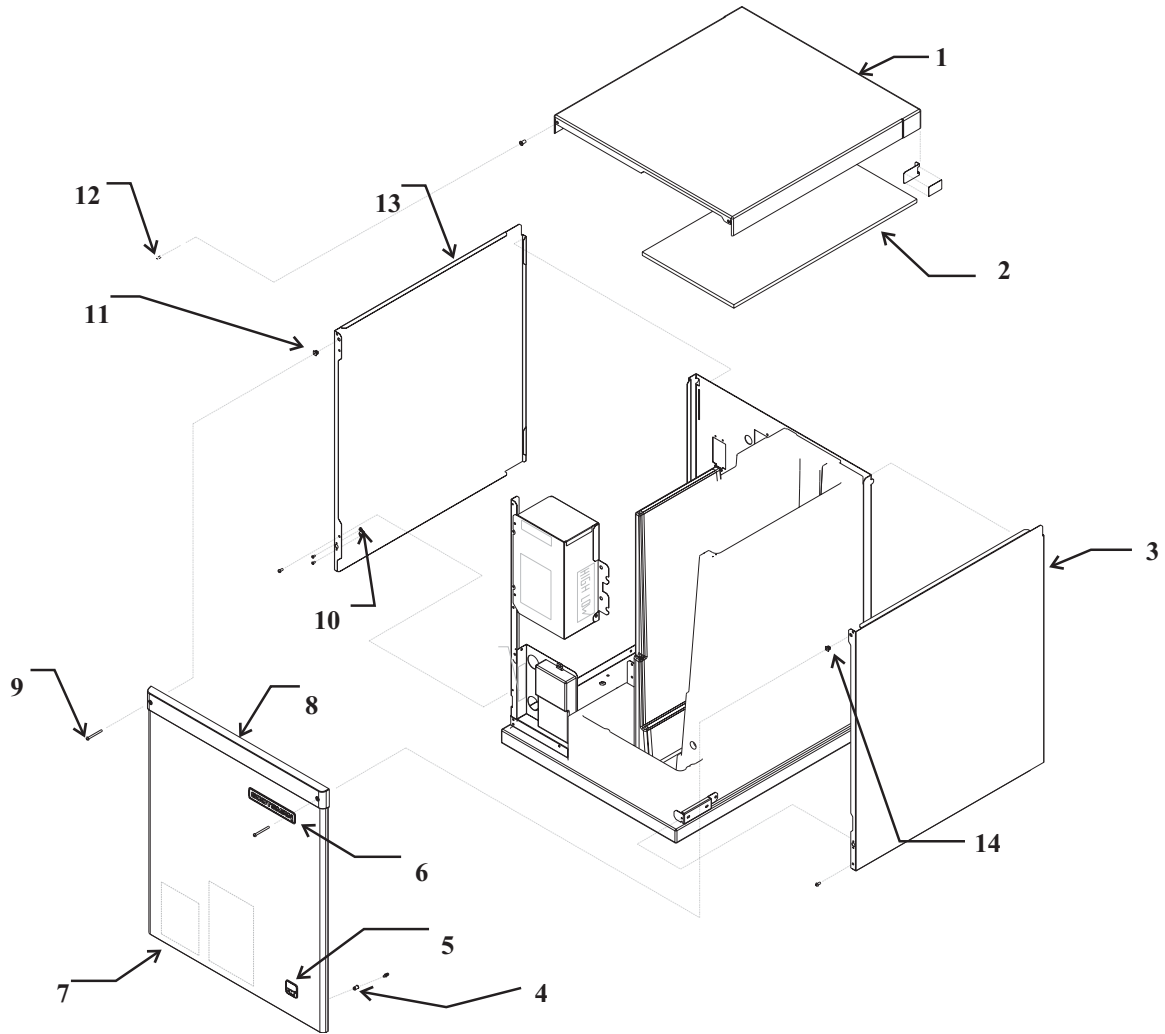
The CME456 has been manufactured in A, B and C series. Be sure to check the description to confirm that the correct part number is being ordered.

## Table of Contents

Cabinet . . . . .	Page 2
Water Pump and Sensor . . . . .	Page 3
Evaporator and Water Distribution . . . . .	Page 4
Refrigeration . . . . .	Page 5
Internal Back of Cabinet . . . . .	Page 6
Interior Parts . . . . .	Page 7
Control Box and Electrical . . . . .	Page 8
Remote Condenser . . . . .	Page 9
Wiring Diagram . . . . .	Page 10
Schematic Diagram . . . . .	Page 11
Schematic of Two Units Connected to One ERC211 Condenser . . . . .	Page 12

# CME456R Service Parts

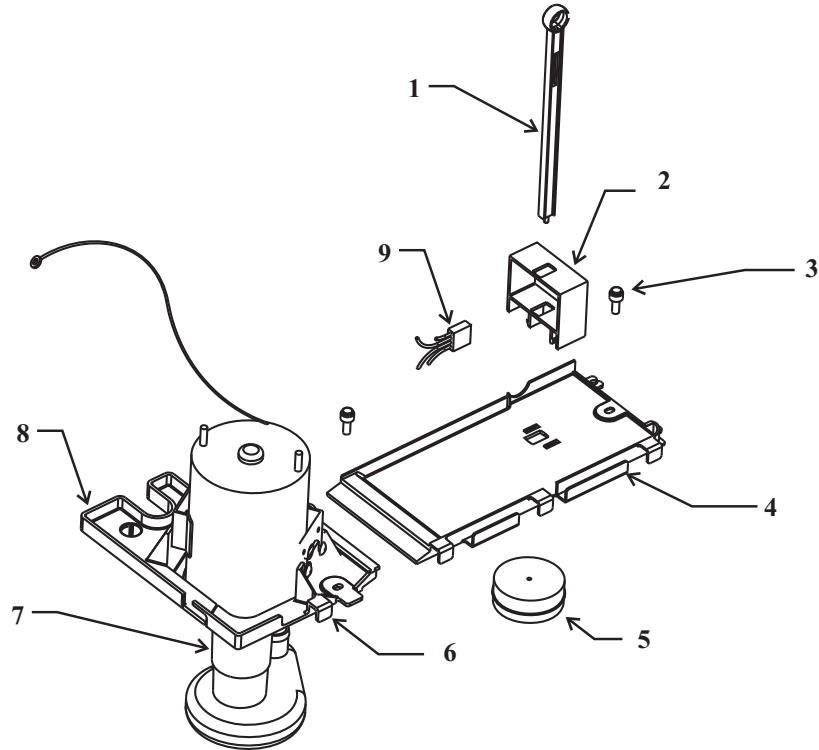
## Cabinet



Item Number	Part Number	Description
1	02-3820-21	Top panel, plastic, includes item 2
2	02-3835-01	Insulation
3	A37513-021	Right side panel, includes catches
4	03-1733-01	Strike
	03-1734-01	Insert
5	15-0792-02	CM3 emblem
6	15-0808-01	Emblem
7	A37577-021	Front panel, includes trim strip, strikes and emblems
8	02-3819-31	Trim strip
9	03-1735-01	Screw
10	03-1733-02	Catch
11	03-3804-01	Catch
12	03-1409-19	Screw
13	A37531-021	Left side panel

# CME456R Service Parts

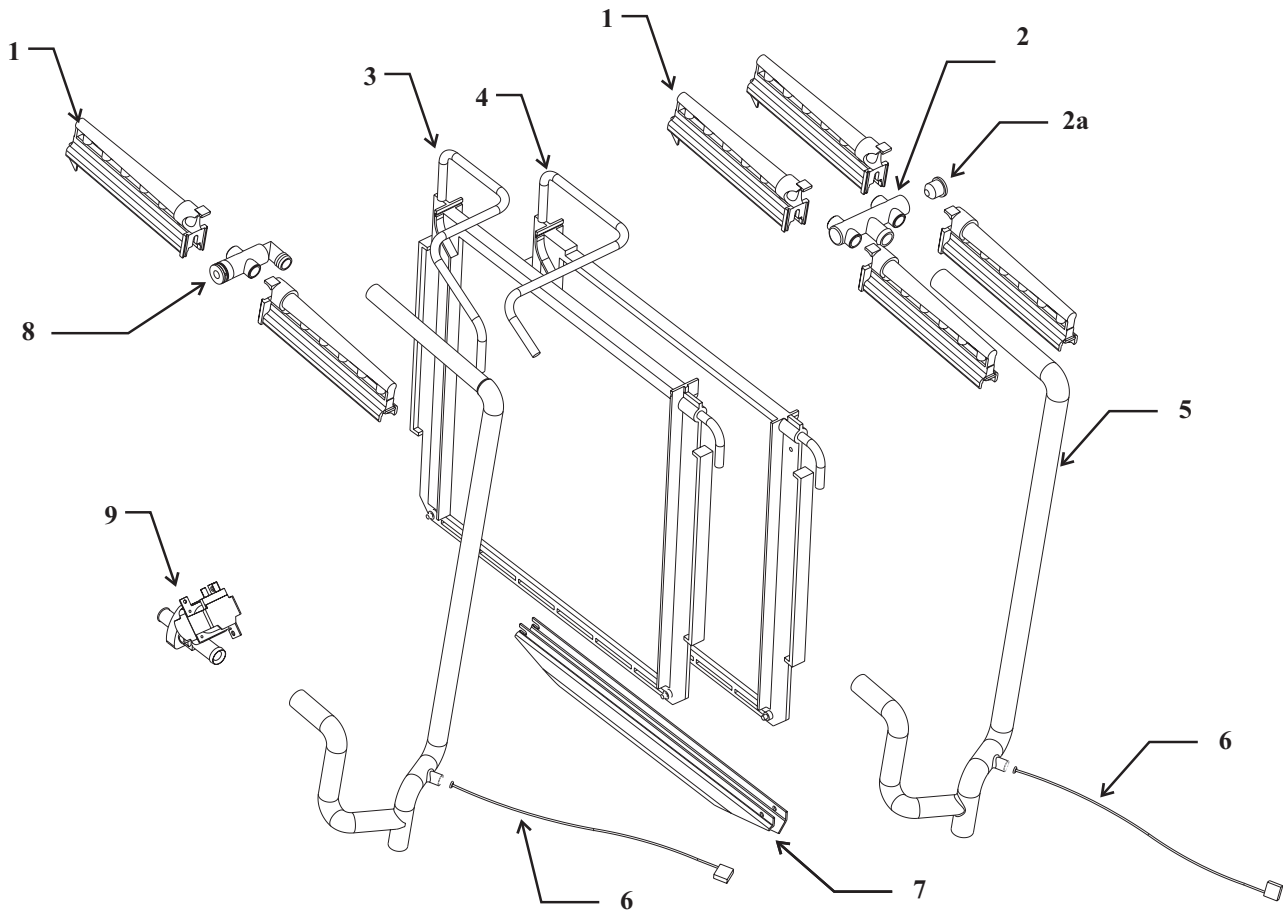
## Water Pump and Sensor



Item Number	Part Number	Description
1	02-3777-03	Float stem
2	11-0539-51	Water level sensor
3	03-1691-01	Screw
4	02-3803-01	Sump cover
5	02-3341-01	Float
6	02-3813-01	Pump bracket - front half
7	12-2586-27	Water pump, CME456 115/60
8	02-3802-01	Pump bracket, back half
9	12-2665-01	Harness

# CME456R Service Parts

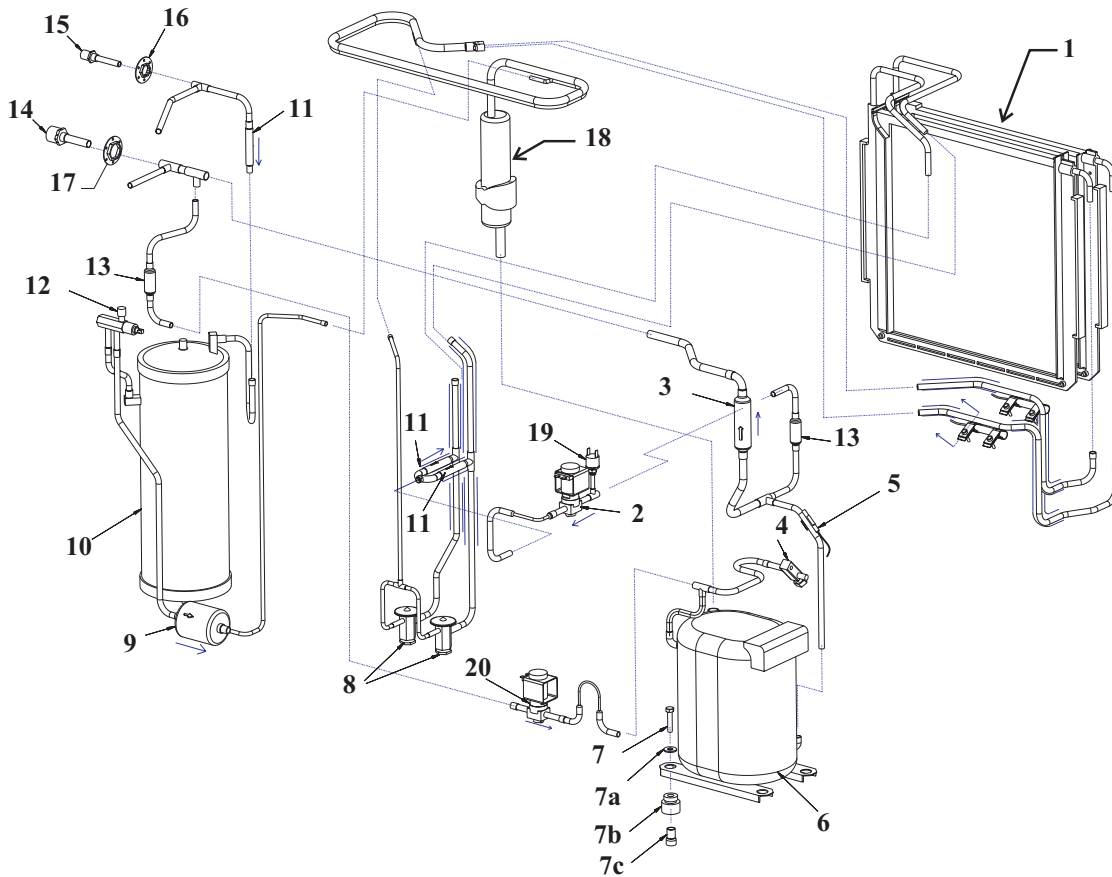
## Evaporator and Water Distribution



Item Number	Part Number	Description
1	02-2527-01	Water distributor
2	02-3811-01	Manifold
2a	13-0840-01	Rubber plug
3	A37575-022	Left evaporator
4	A37575-021	Right evaporator
5	02-3807-01	Water hose
6	11-0545-21	Temperature sensor, includes discharge sensor
7	02-3824-01	Water trough
8	A30926-020	Water manifold
9	11-0514-02	Purge valve, 115/ 60 Hz

# CME456R Service Parts

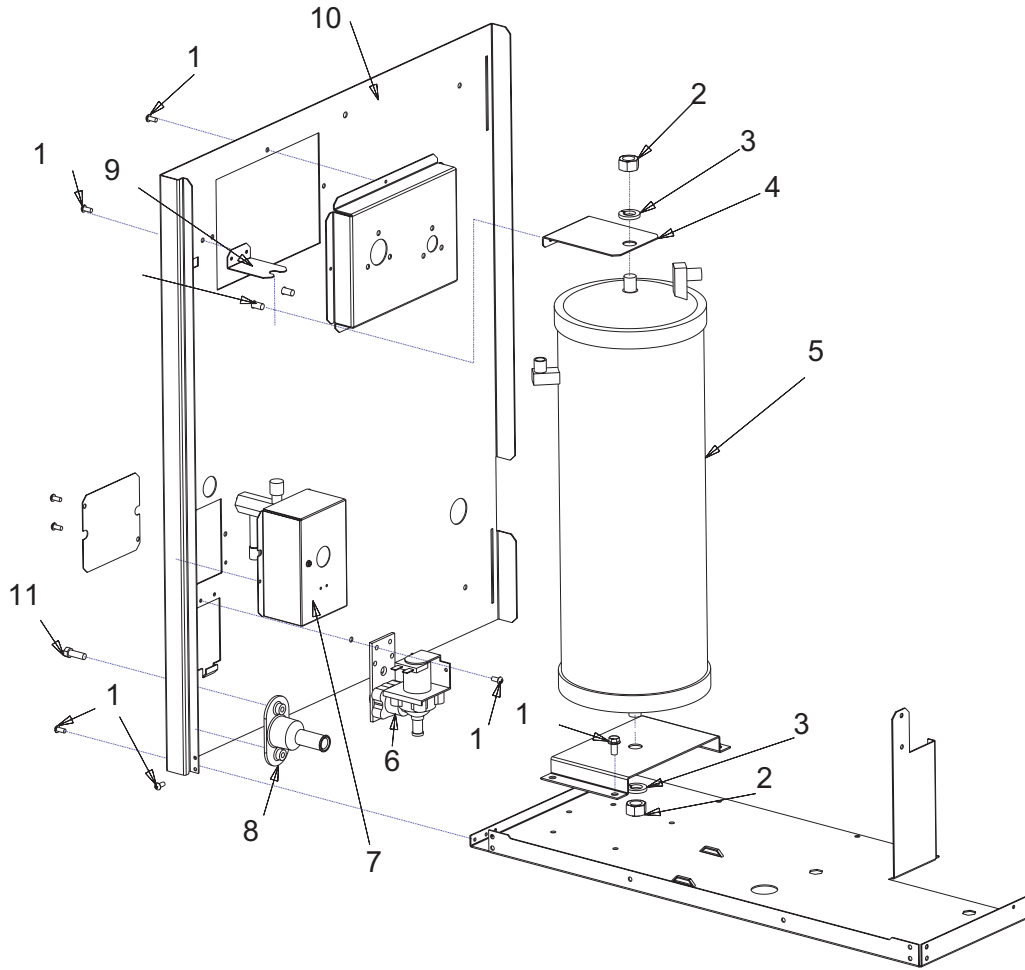
## Refrigeration



Item Number	Part Number	Description	Item Number	Part Number	Description
1	see page 4	Evaporator	9	02-3319-01	Filter drier
2	12-2471-22	Hot gas valve	10	16-1037-01	Receiver
3	16-1028-01	Discharge check valve	11	16-1071-01	Check valve
4	16-0832-21	Access valve	12	16-1030-01	Liquid line access valve
	16-0832-03	Port cap	13	16-1063-01	Strainer
	16-0832-02	Stem cap	14	16-0850-01	Liquid fitting
5	11-0545-21	Discharge sensor, includes water sensor	15	16-0850-03	Discharge fitting
6	18-8839-21	Compressor, 115/60, includes PTCR and drier	16	16-0701-07	Mounting flange
6a	12-1868-01	External crankcase heater	17	16-0701-14	Mounting flange
6b	18-8711-50	Compressor overload	18	A37541-001	Heat exchanger w/accumulator
7	03-1405-20	Screw	19	11-0501-22	Hi press. Cut out
7a	03-1407-07	Washer	20	11-0513-21	Bypass valve
7b	18-2200-28	Grommet			
7c	18-2200-27	Sleeve			
8	16-1009-22	TXV, AN 1/2 SZ for A & B series			
	16-1115-21	TXV for C series, includes insulation			
	02-3792-02	Insulation for 16-1009-22			
	02-4045-01	Insulation for 16-1115-21			

# CME456R Service Parts

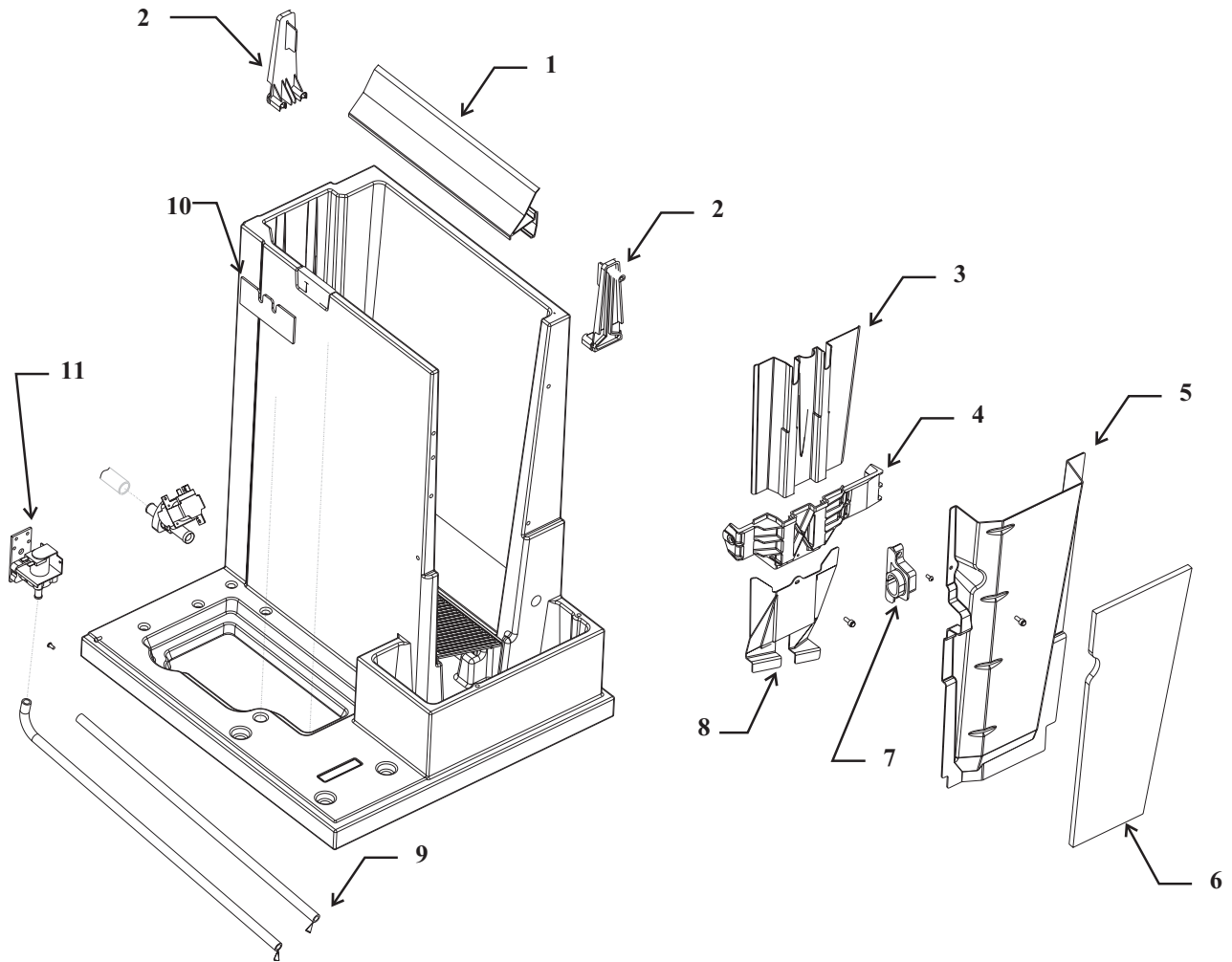
## Internal Back of Cabinet



Item Number	Part Number	Description
1	03-1531-01	Screw
2	03-1406-13	Nut
3	03-1410-06	Lockwasher
4	A37211-001	Bracket
5	Receiver - see page 5	
6	12-2548-01	Inlet water valve
7	Junction box	
8	02-3692-21	Drain fitting
9	A37599-001	Bracket
10	A37526-001	Back panel
11	03-0571-01	Screw

# CME456R Service Parts

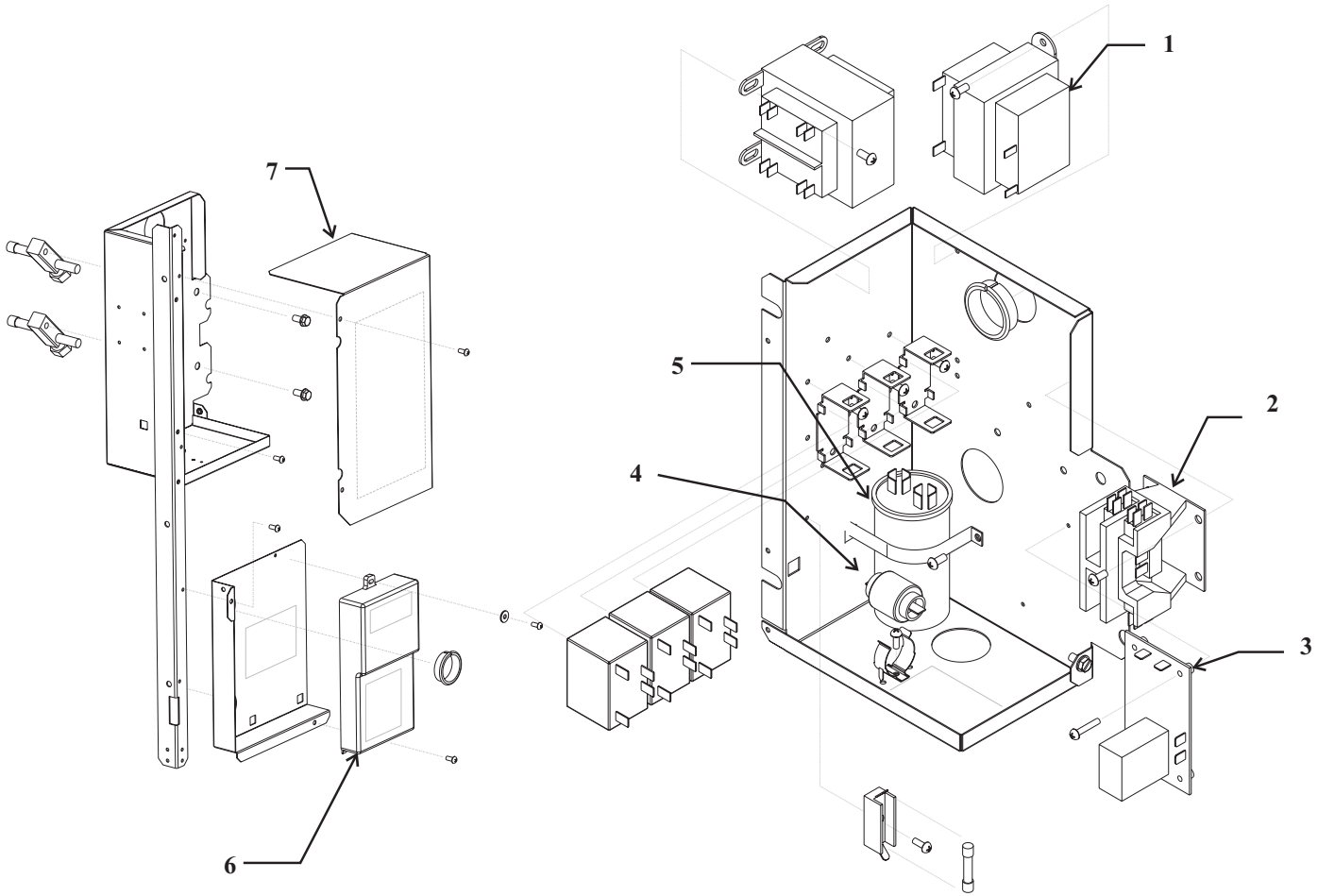
## Interior Parts



Item Number	Part Number	Description
1	02-3765-02	Cascading shield
2	11-0540-21	Ice Sensors, set of two
3	02-3808-01	Upper splash panel
4	02-3805-01	Evaporator support
5	02-3815-01	Evaporator cover
6	02-3834-01	Insulation
7	02-3816-01	Grommet
8	02-3806-01	Lower splash panel
9	13-0674-02	Tubing, order 2 units (ft)
10	02-3833-02	Grommet seal
	02-3833-01	Grommet
11	12-2548-01	Water valve

# CME456R Service Parts

## Control Box and Electrical



Item Number	Part Number	Description
1	A37231-001	Transformer 115/60/1
2	12-2469-01	Contactor
3	11-0531-21	Purge valve timer
4	18-8835-01	PTCR
5	18-1902-45	Run capacitor
6	12-2838-23	Controller for CME456
7	A37510-001	Control box cover

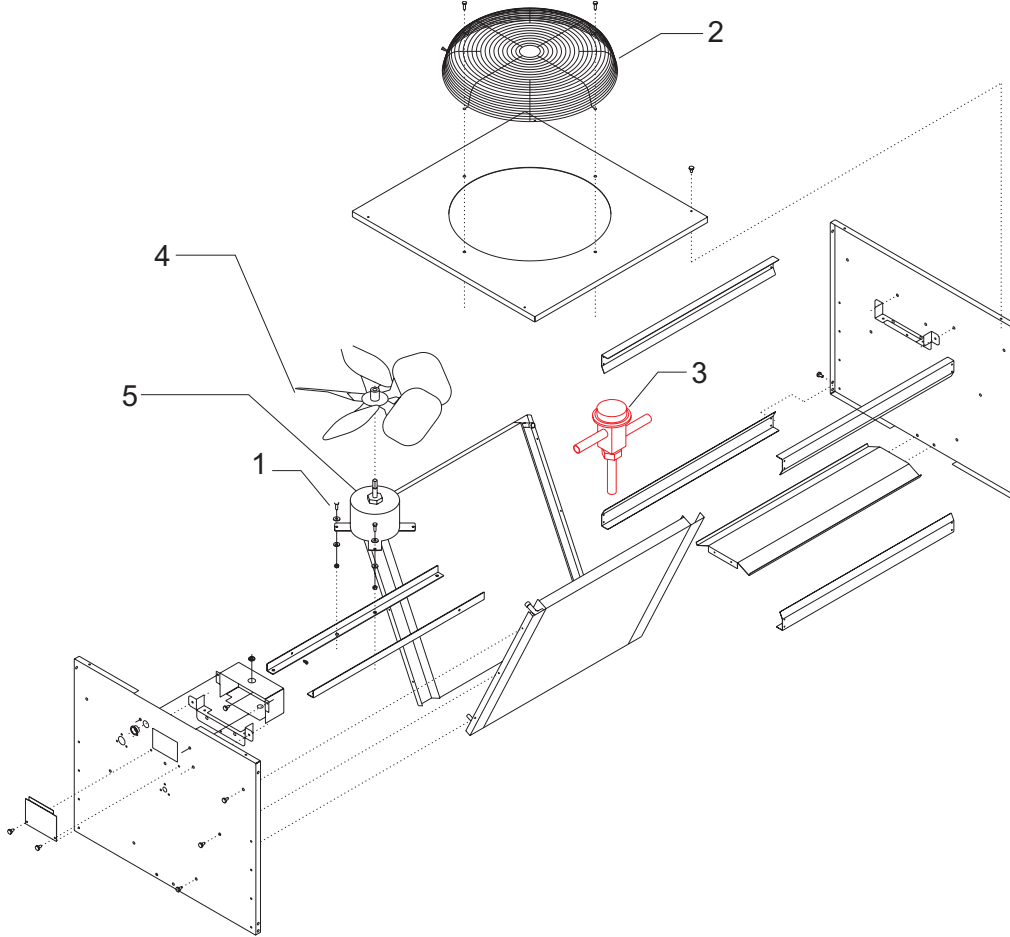
### Harnesses:

Hi Voltage:  
12-2771-01  
Low Voltage  
12-2769-02



# CME456R Service Parts

## Remote Condenser



### ERC111 or ERC211

Item Number	Part Number	Description
1	03-1405-08	Screw
2	02-3575-01	Fan guard
3	16-1044-01	Headmaster
4	18-8816-01	Fan blade
5	12-2651-02	Fan motor (115/60/1)

### Not Shown:

A37169-001	Leg
A37170-001	Leg brace
03-1645-01	Screw for legs
16-0850-01	Quick connect, discharge
16-0850-03	Quick connect, liquid

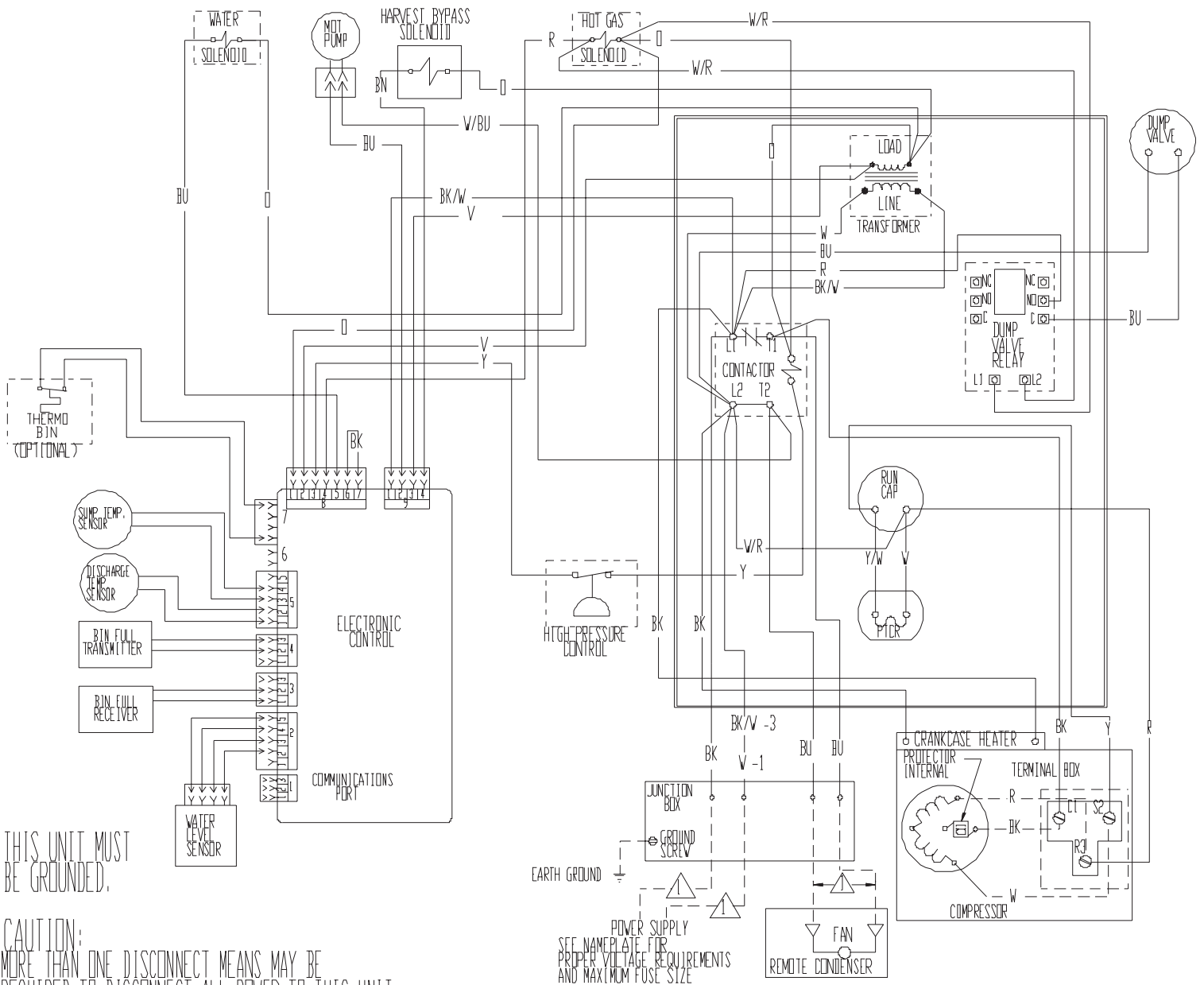
# CME456R Service Parts

## Wiring Diagram

17-2658-01

USE COPPER CONDUCTORS ONLY

△ DASHED LINES INDICATE FIELD WIRING WHICH MUST BE INSTALLED IN ACCORDANCE WITH THE NATIONAL ELECTRICAL CODE AND ALL STATE AND LOCAL CODES



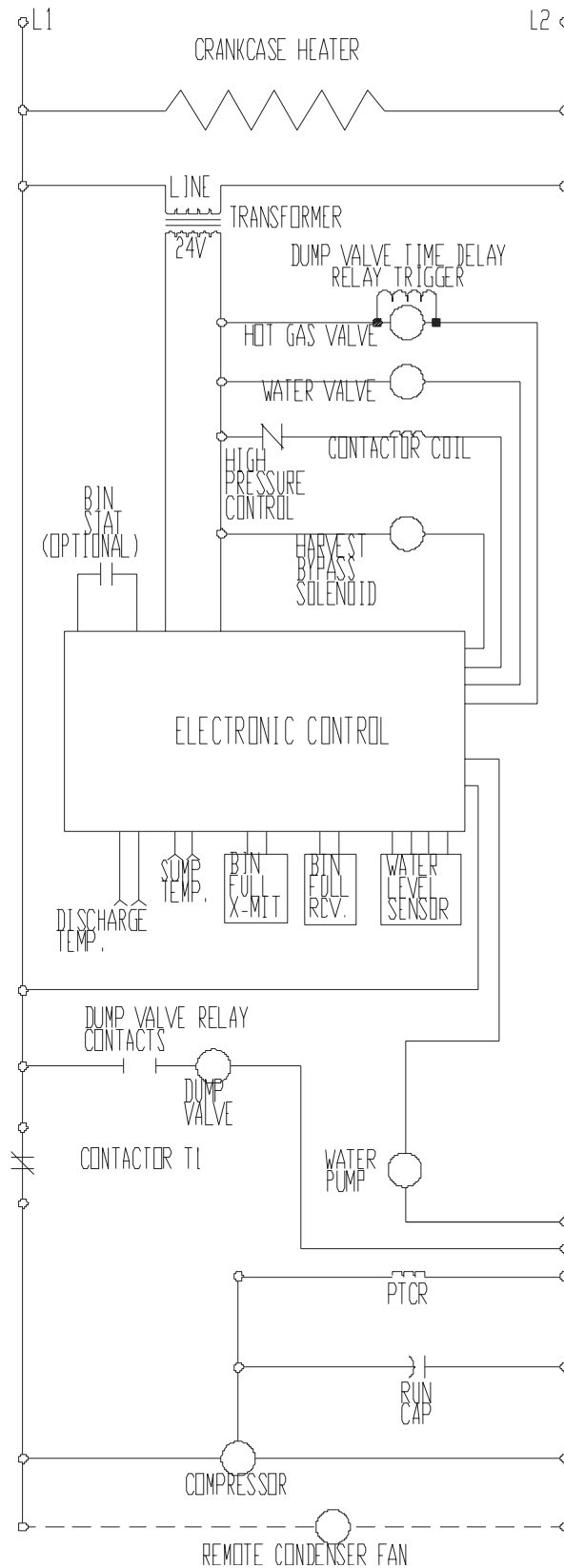
THIS UNIT MUST BE GROUNDED.

CAUTION:  
MORE THAN ONE DISCONNECT MEANS MAY BE REQUIRED TO DISCONNECT ALL POWER TO THIS UNIT.

EARTH GROUND  
POWER SUPPLY  
SEE NAMEPLATE FOR  
PROPER VOLTAGE REQUIREMENTS  
AND MAXIMUM FUSE SIZE

# CME456R Service Parts

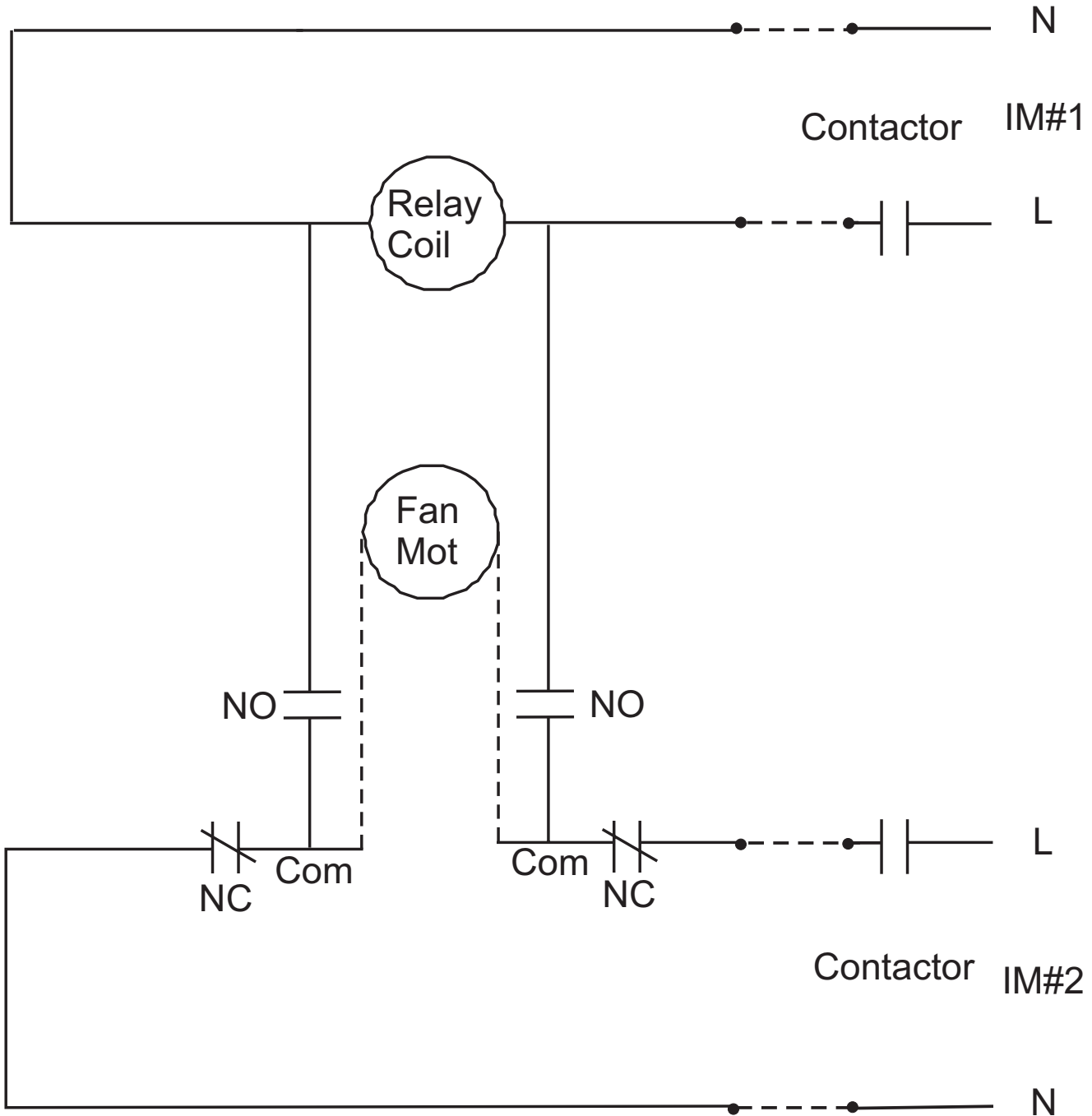
## Schematic Diagram



# CME456R Service Parts

## Schematic of Two Units Connected to One ERC211 Condenser

### KCMR115 Schematic Diagram



Dashed Lines Represent Field Wiring.  
Schematic Shown with Both Ice Machines and the Fan Motor OFF.