



Kaffee
Kaffee-Kapselmaschine

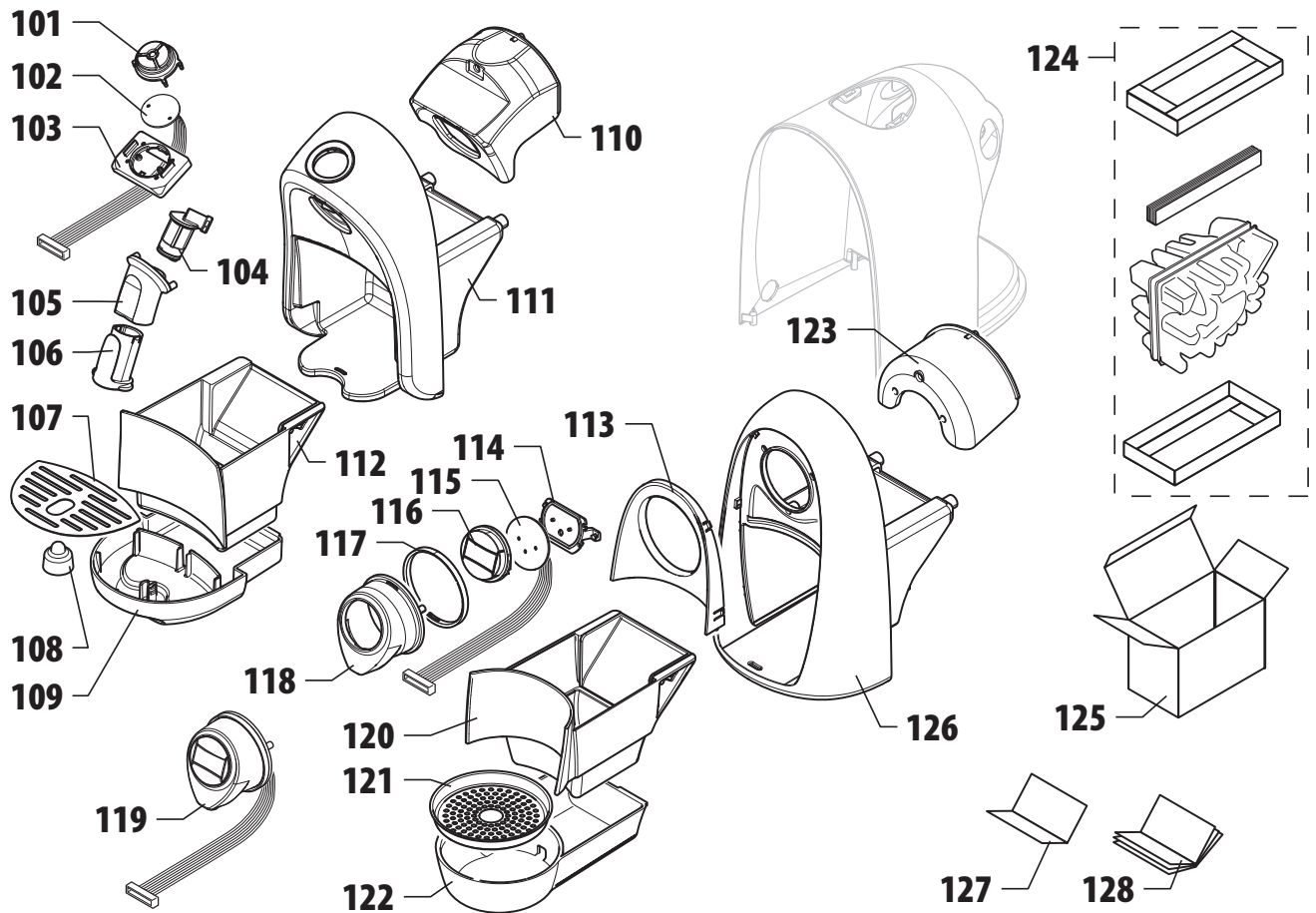
Artikel-Nr. 742014 (777008000)

Explosionszeichnung / Ersatzteile

Bitte bei Ersatzteilbestellung immer Seriennummer mit angeben!

S03-P03 & S04-P04 Coffee Machine

EV.03.001.00



Pagina 1 di 3

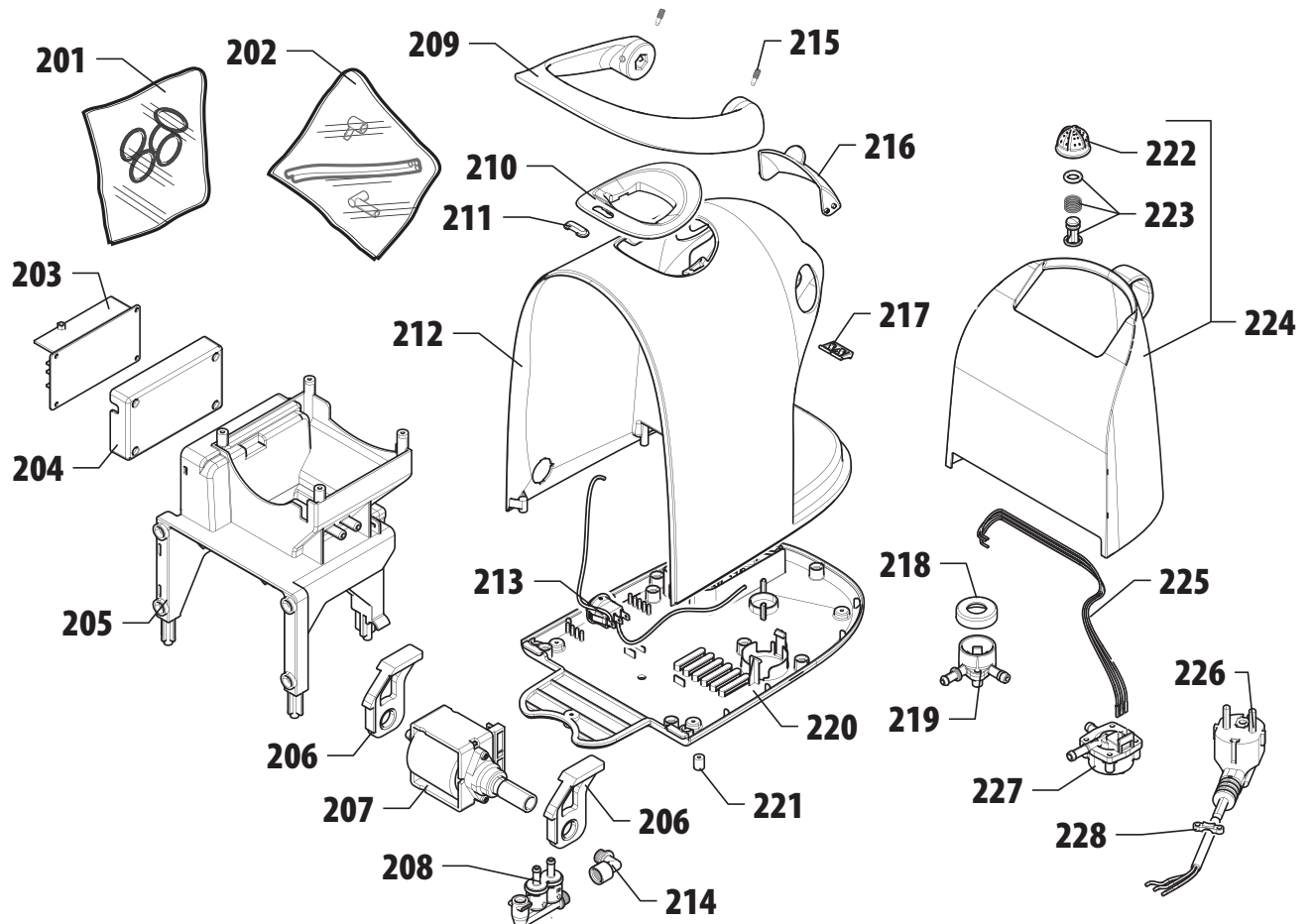
Rev.00 del 15.11.2009

Ref.	Code	Description	Note
101	3400006803	BLACK SILICON KEYBOARD S03	
102	3400006900	KEYBOARD PCB S03	
103	3400006700	LAMP COVER S03	
104	3400006300	OUTLET TUBE S03	
105	3400006100	CHROMED PLATED DISPENSER BRACKET S03	
106	3400006223	LIGHT BLUE COFFEE DISPENSER S03	
	3400006224	DARK GRAY COFFEE DISPENSER S03	
107	3400005200	DRIP TRAY GRILL S03	
108	3400011500	DRIP TRAY FLOATER	
109	3400004523	LIGHT BLUE DRIP TRAY S03	
	3400004524	DARK GRAY DRIP TRAY S03	
110	3400006400	PANEL BRACKET S03	
111	SA030052300	LIGHT BLUE FRONT PANEL ASSY S03	
	SA030052400	DARK GRAY FRONT PANEL ASSY S03	
112	SA030112300	LIGHT BLUE CAPSULE DRAWER ASSY S03	
	SA030112400	DARK GRAY CAPSULE DRAWER ASSY S03	
113	34000020526	MET.BLUE SHINY PANEL WRAP S04	
	34000020506	RED PANEL WRAP S04	
	34000020525	MET.YELLOW SHINY PANEL WRAP S04	
	34000020501	WHITE PANEL WRAP S04	
114	34000023000	LAMP COVER S04	
115	34000007100	KEYBOARD PCB S04	
116	34000007003	BLACK SILICON KEYBOARD S04	
117	34000022700	DISPENSER WRAP (TBD)	
118	34000022500	CHROMED PLATED DISPENSER BRACKET S04	
119	SA040010000	KEYBOARD ASSY S04	
120	SA040022600	MET.BLUE SHINY CAPSULE DRAWER ASSY S04	
	SA040020600	RED CAPSULE DRAWER ASSY S04	
	SA040022500	MET.YELLOW SHINY CAPSULE DRAWER ASSY S04	
	SA040020100	WHITE CAPSULE DRAWER ASSY S04	
121	34000023200	DRIP TRAY GRILL S04	
122	34000020726	MET.BLUE SHINY DRIP TRAY S04	
	34000020706	RED DRIP TRAY S04	
	34000020725	MET.YELLOW SHINY DRIP TRAY S04	
	34000020701	WHITE DRIP TRAY S04	
123	34000022900	PANEL BRACKET S04	
124	SA030090000	PULP BAG ASSY S03/S04	

Ref.	Code	Description	Note
125	GB0300100	GIFT BOX CAFFITA SYSTEM S03-P03	
	GB0400100	GIFT BOX CAFFITA SYSTEM S04-P04	
126	34000022807	SILVER FRONT PANEL S04	
127	CW0000100	WARRANTY CARD CAFFITA SYSTEM / PROFES.	
128	IB0300100	USER MANUAL CAFFITA IT-EN-DE-FR S03/P03	
	IB0300200	USER MANUAL CAFFITA EN-NL-SP-PO S03/P03	
	IB0400100	USER MANUAL CAFFITA IT-EN-DE-FR S04/P04	
	IB0400200	USER MANUAL CAFFITA EN-NL-SP-PO S04/P04	

S03-P03 & S04-P04 Coffee Machine

EV.03.001.00



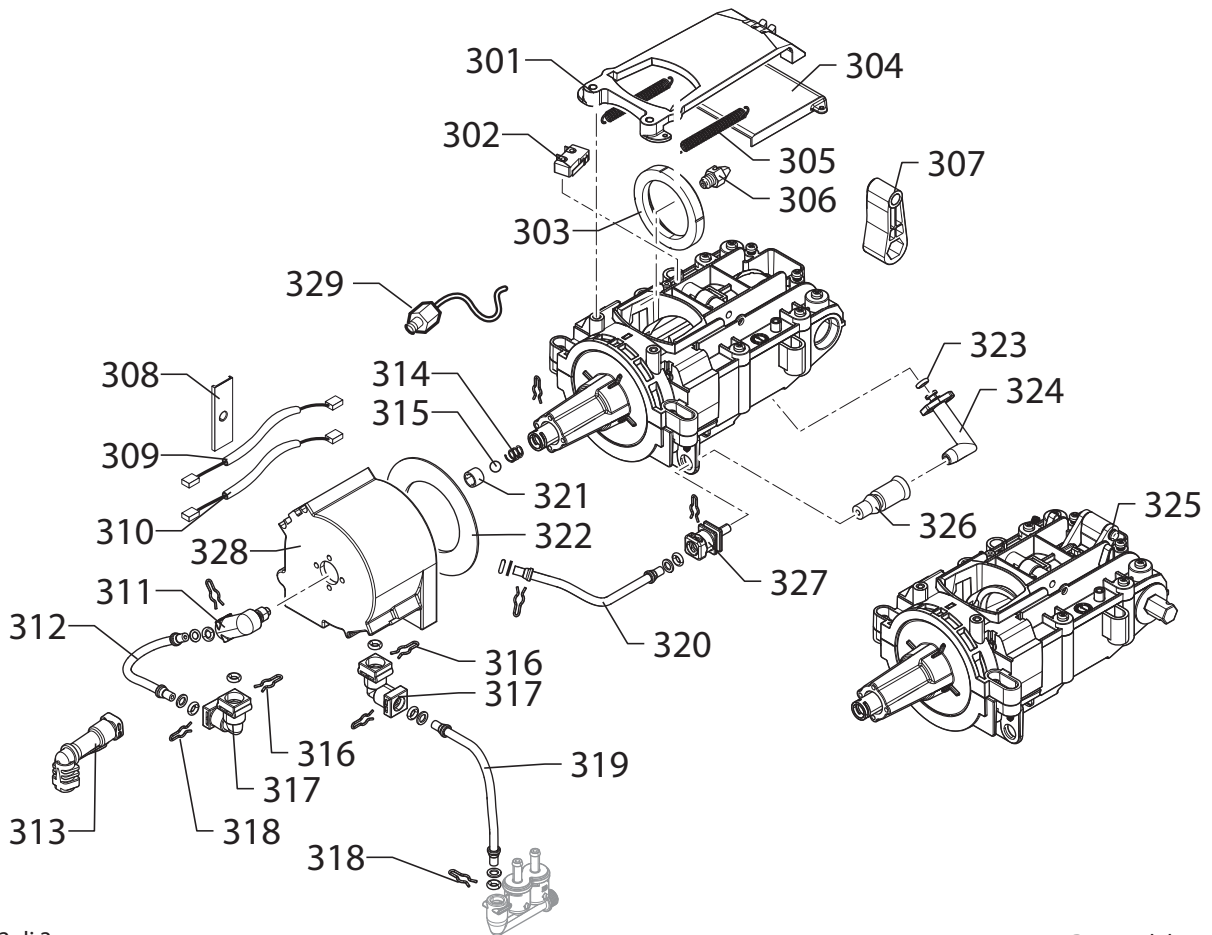
Pagina 2 di 3

Rev.00 del 15.11.2009

Ref.	Code	Description	Note	Ref.	Code	Description	Note
201	SA030080000	GASKET & RUBBER KIT		227	34000014900	FLOW METER 90°	
202	SA030070000	PIPE KIT		228	34000014800	CORD CLAMP	
203	34000005010	MAIN PCB 230V S03/S04					
204	34000005100	PCB BOX S03/S04					
205	34000005400	MAIN FRAME S03/S04					
206	34000022300	PUMP SUPPORT S03/S04					
207	SA010150010	ULKA PUMP 220-240V	220-240V				
208	34002015200	SELF PRIME VALVE					
209	34000004800	CHROMED PLATED MAIN LEVER S03/S04					
210	34000004623	LIGHT BLUE CAPSULE INLET S03/S04					
	34000004624	DARK GRAY CAPSULE INLET S03/S04					
	34000004607	SILVER CAPSULE INLET S03/S04					
211	34000023300	CAPSULE INLET TRAN. SILICON FOOT S03/S04					
212	34000004901	WHITE MAIN COVER S03/S04					
	34000004909	BLACK MAIN COVER S03/S04					
	34000004907	SILVER MAIN COVER S03/S04					
	34000004906	RED MAIN COVER S03/S04					
213	34000015000	MAIN SWITCH DEFOND CRP-1112 S03/S04					
214	34000013700	PUMP ELBOW S03/S04					
215	34000007200	MAIN LEVER FIXING PIN S03/S04					
216	34000005801	WHITE TANK LID S03/S04					
	34000005809	BLACK TANK LID S03/S04					
	34000005807	SILVER TANK LID S03/S04					
	34000005806	RED TANK LID S03/S04					
217	34000013803	BLACK TANK CLIP S03/S04					
218	34000022400	VALVE GASKET S03/S04					
219	34000013500	VALVE CAGE S03/S04					
220	34000004323	LIGHT BLUE LOWER BASE S03/S04					
	34000004324	DARK GRAY LOWER BASE S03/S04					
	34000004307	SILVER LOWER BASE S03/S04					
	34000004306	RED LOWER BASE S03/S04					
221	34000009900	FOOT S03/S04					
222	34000013400	WATER TANK FILTER S03/S04					
223	SA030060000	WATER TANK VALVE ASSY S03/S04					
224	SA030020000	WATER TANK ASSY S03/S04					
225	34000024800	FLOW METER WIRING L=320 MM					
226	34000024900	SHUCKO PLUG L=1250 MM					

S03-P03 & S04-P04 Coffee Machine

EV.03.001.00



Pagina 3 di 3

Rev.00 del 15.11.2009

Ref.	Code	Description	Note
301	3400002600	SLIDE COVER	
302	34000009700	MICROSWITCH W/LEVER GOLD CONTACT	
303	34002001200	SILICON GASKET	
304	34000002500	SLIDE	
305	34000017200	PULLING SPRING	
306	34008000100	CERAMIC PIN PYRAMIDE	
307	34000023400	BREWING GROUP SHORT CAM	
308	34000023800	THERMOFUSE CLIP S03/S04	
309	34000024000	THERMOFUSE 192°C W/ RED WIRING L=370 MM	
310	34000023900	THERMOFUSE 192°C W/ WIRING & THERMOPRO.	
311	34000007700	INLET HEATER ELBOW S03/S04	
312	34000024500	TEFLON PIPE HEATER OUTLET L=105MM	
313	34000023100	OUTLET TUBE S04	
314	34000023600	CERAMIC SPHERE SPRING	
315	34000023500	CERAMIC SPHERE D=5,5 MM	
316	34000024400	HEATER FIX STOPPER	
317	34000007400	HEATER 1 ELBOW	
318	34000023700	FIX STOPPER	
319	34000024600	TEFLON PIPE PUMP HEATER L=105 MM	
320	34000024700	TEFLON PIPE COFFEE OUTLER L=120 MM	
321	34000007800	BREWING GROUP VALVE	
322	34000008200	INSULATING RING S03/S04	
323	00090008100	Or 2015	
324	34000005600	COFFEE OUTLET ELBOW	
325	SA030010000	BREWING GROUP ASSY S03 (ETERNAL)	
326	34000002000	SILICONE JOINT	
327	34000013600	CONNECTOR	
328	34000019510	THERMOBLOCK EXTERNAL VERSION 900W 230V	
329	34000026100	HEATER NTC CONTROL S03/S04	

Ref.	Code	Description	Note