

CME865R & CME1002R SERVICE PARTS

This parts list contains the parts for the CME865R and the CME1002R. The model number of the machine is located on the ice machine in two places: on the back panel, and behind the front panel below the control box.

Check the model number to be certain of obtaining the correct parts.

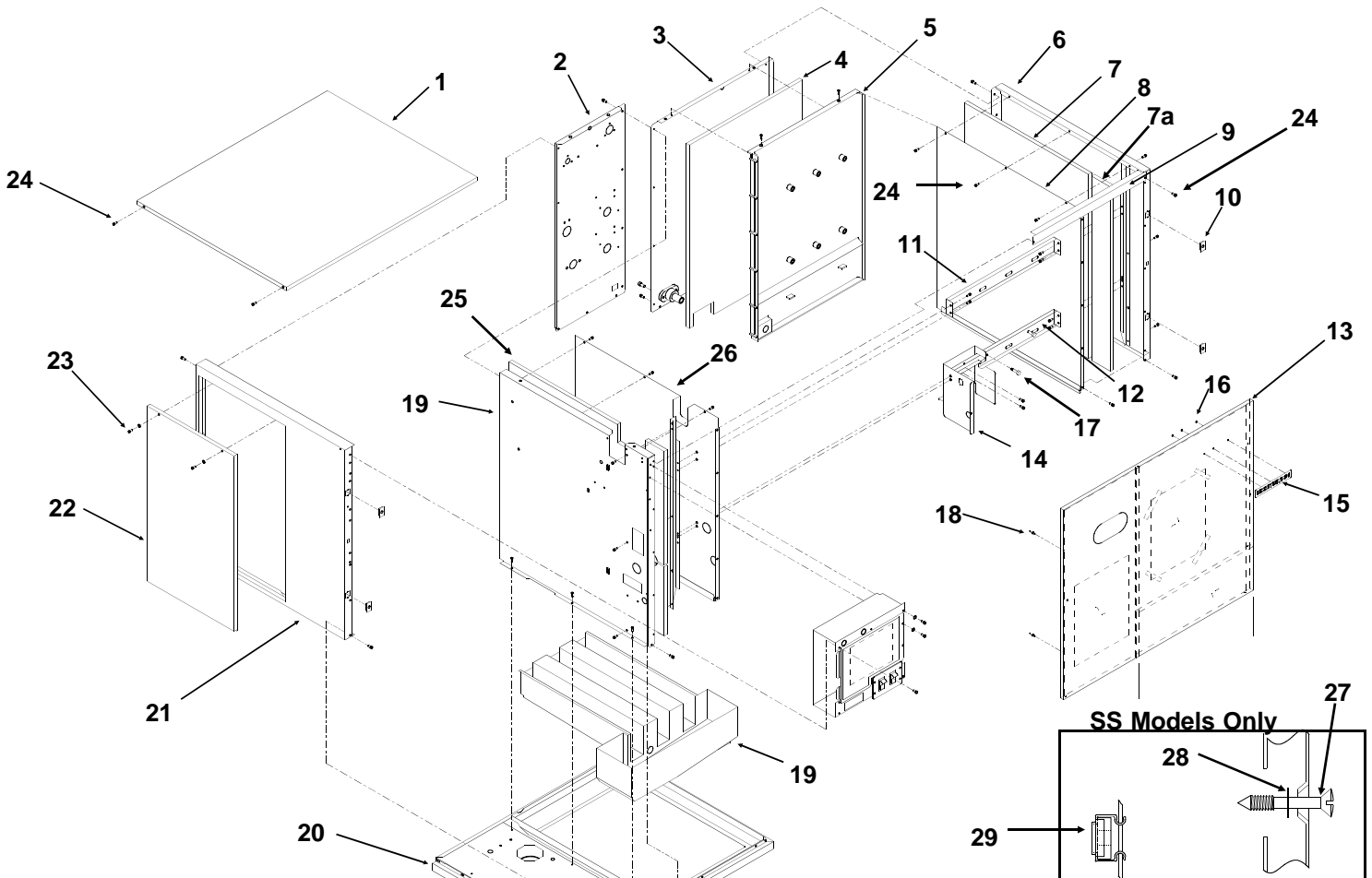
Note: Some of these two models may have been manufactured in 50 Hz. They are designated with a "-6" at the end of the model number, such as CME1002RE-6A.

Always check the model number or voltage on the nameplate when ordering compressors or control box components.

TABLE OF CONTENTS

| | |
|--------------------------------|--------|
| Cabinet | Page 2 |
| Interior Cabinet | Page 3 |
| Refrigeration System | Page 4 |
| Water System | Page 5 |
| Control Box | Page 6 |
| Remote Condenser | Page 7 |
| Ice Storage Bin | Page 8 |
| Wiring Diagrams | Page 9 |

CME865R & CME1002R SERVICE PARTS CABINET

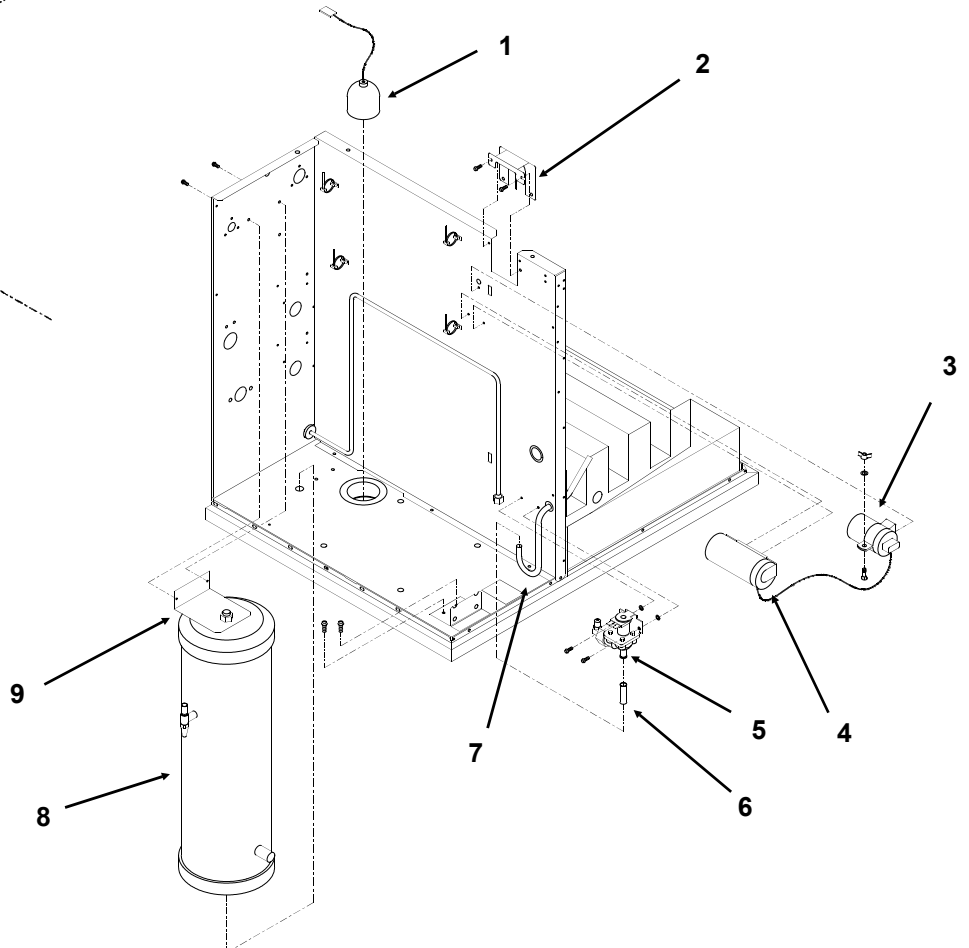
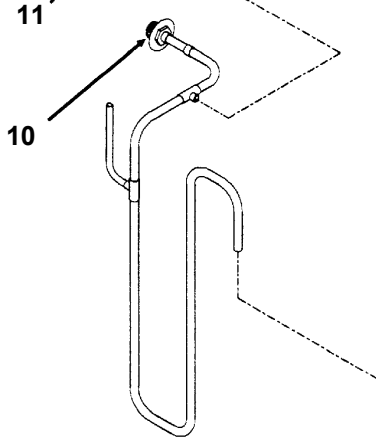
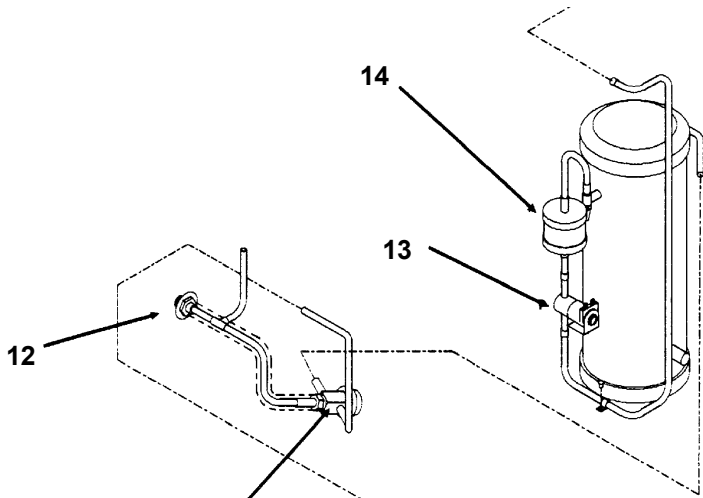


| ITEM NUMBER | PART NUMBER | DESCRIPTION | ITEM NUMBER | PART NUMBER | DESCRIPTION |
|-------------|-------------|------------------------------|-------------|-------------|-------------------------|
| 1 | A32159-002 | Top Panel, SS | 13 | A36468-001 | Front panel, sandalwood |
| | A32159-001 | Top Panel, sandalwood | | A36468-015 | Front panel, gray |
| | A32159-015 | Top panel, gray | | A36468-002 | Front panel, SS |
| 2 | A36317-003 | Small back panel, s-wood | 14 | A36308-001 | Pump housing |
| | A36317-015 | Small back panel, gray | 15 | 15-0711-01 | Emblem for sandalwood |
| | A36317-003 | Small back panel, SS | | 15-0808-03 | Emblem, for SS or gray |
| 3 | A32452-001 | Right back panel, s-wood | 16 | 03-0271-00 | Clip for emblem |
| | A32452-015 | Right back panel, gray | 17 | A32464-001 | Stand off for curtain |
| | A32452-002 | Right back panel, SS | 18 | 15-0411-00 | Strike |
| 4 | A32458-002 | Back insulation | 19 | A35861-001 | Reservoir Assembly |
| 5 | 02-2888-01 | Back Liner | 20 | A34861-002 | Base Assembly |
| 6 | A35453-001 | Right side panel, sandalwood | 21 | A32435-002 | Left Side Panel, SS |
| | A35453-015 | Right side panel, gray | | A32435-001 | Left Side Panel, s-wood |
| | A35453-002 | Right side panel, SS | | A32435-015 | Left side panel, gray |
| 7 | A32458-004 | Right side insulation | 22 | A34038-002 | Service Panel, SS |
| 7a | A32458-005 | Small insulation | | A34038-001 | Service Panel, s-wood |
| 8 | 02-2887-01 | Right side liner | | A34038-015 | Service panel, gray |
| 9 | A32469-001 | Brace | 23 | 03-1404-12 | Screw |
| 10 | 02-0836-00 | Catch | 24 | 03-1531-01 | Screw |
| 11 | A32587-001 | Upper Evap. Brace | 25 | A32458-003 | Insulation |
| 12 | A32467-002 | Lower Evap. Brace | 26 | 02-2885-01 | Left side liner |
| | | | 27 | 03-1702-01 | Screw |
| | | | 28 | 03-1702-02 | Washer |
| | | | 29 | 03-1703-01 | Retaining nut |

CME865R & CME1002R SERVICE PARTS

INTERIOR CABINET COMPONENTS

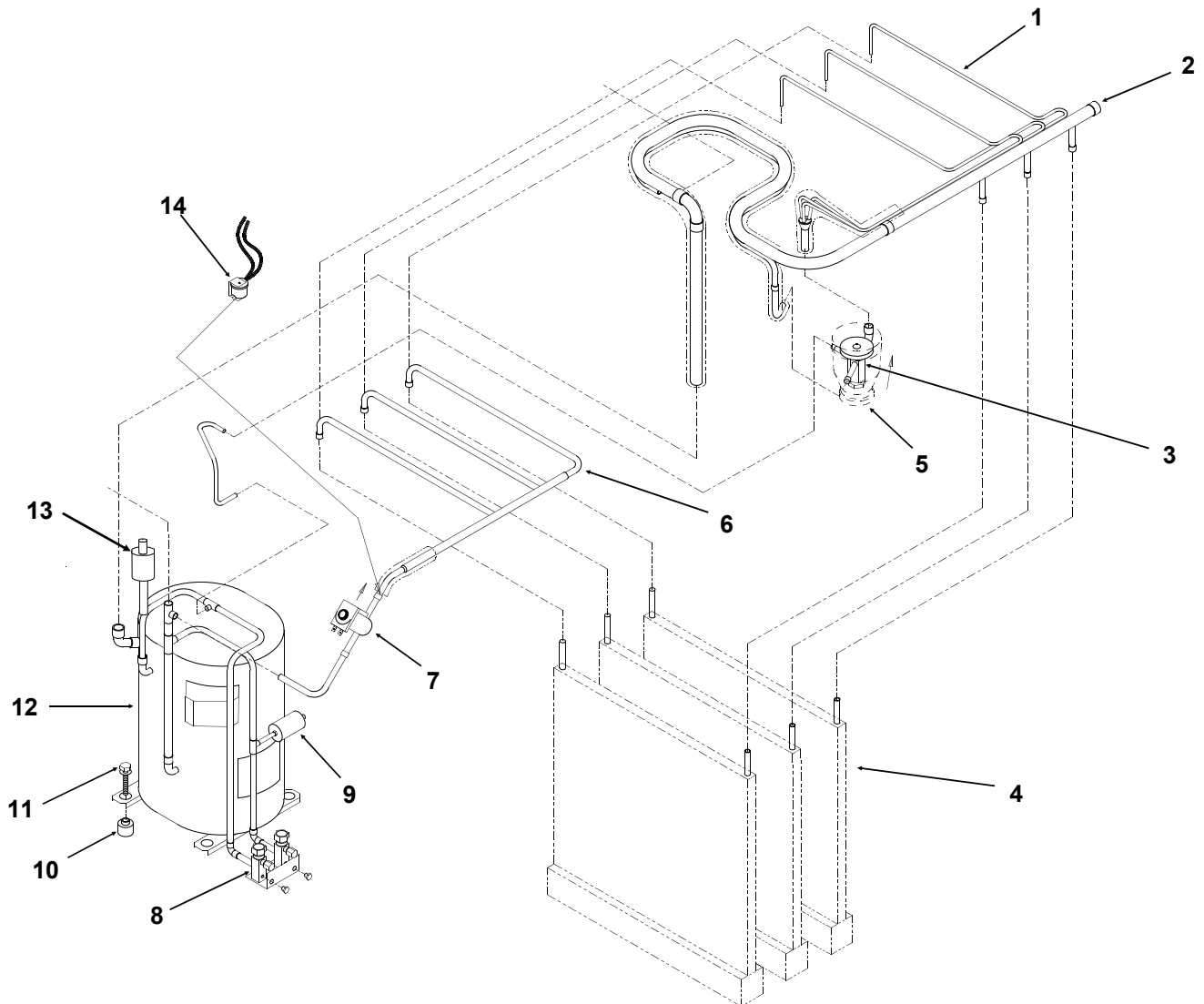
| ITEM NUMBER | PART NUMBER | DESCRIPTION |
|-------------|-------------|---|
| 1 | A34908-021 | Transducer |
| 2 | 02-3404-01 | Flange retainer |
| 3 | 18-1902-55 | Run capacitor, all except CME1002-6 (50 Hz) |
| | 18-1902-57 | Run capacitor for CME1002-6 (50 Hz) |
| 4 | 18-1901-48 | Start capacitor |
| 5 | A35328-001 | Capacitor cover |
| 6 | 12-2446-26 | Water valve |
| 7 | 13-0674-02 | Water inlet tube, 1.5" req. |
| 8 | A36293-001 | Water inlet tube |
| 9 | 16-0993-01 | Receiver |
| 10 | A34825-001 | Bracket |
| 11 | 16-0850-01 | Discharge fitting |
| 12 | 11-0422-22 | Head pressure control valve |
| 13 | 16-0850-03 | Liquid line fitting |
| 14 | 11-0491-21 | Liquid line valve |
| | 02-3319-02 | Drier |



CME865R & CME1002R SERVICE PARTS

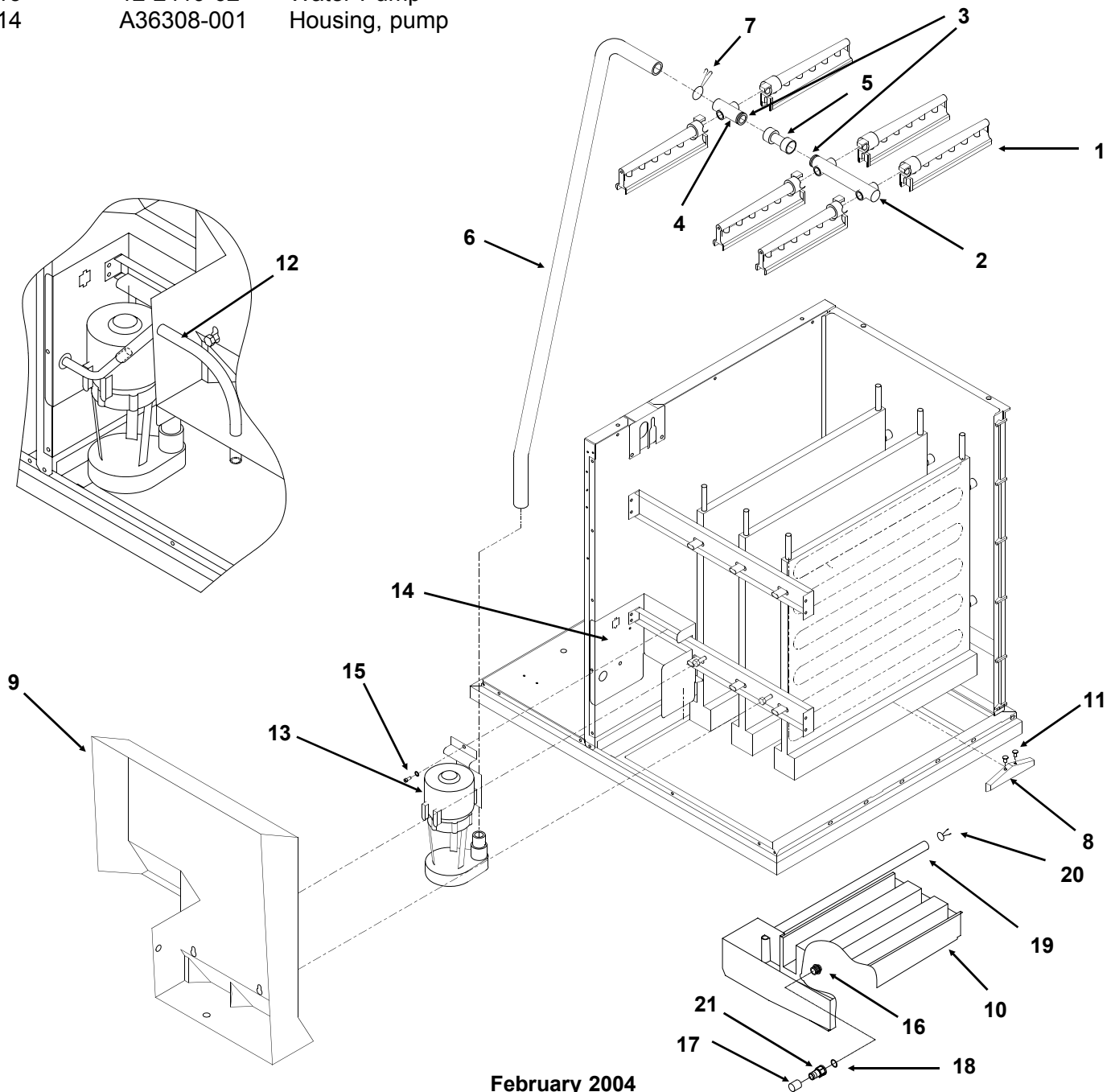
REFRIGERATION SYSTEM

| ITEM NUMBER | PART NUMBER | DESCRIPTION | ITEM NUMBER | PART NUMBER | DESCRIPTION |
|-------------|-------------|----------------------------|---|-------------|---------------------------------|
| 1 | 16-0876-01 | Distributor and tubes | 12 | 18-8749-22 | Compressor, for CME865 60 Hz |
| 2 | 16-0875-01 | Suction line header | | 18-8749-27 | Compressor, for CME865 50 Hz |
| 3 | 16-0878-21 | TXV for 60 Hz models | | 18-8750-22 | Compressor, for CME1002 60 Hz |
| | 16-1022-21 | TXV for 50 Hz models | | 18-8750-24 | Compressor, for CME1002 3 Phase |
| 4 | A30296-020 | Evaporator | | 18-8750-27 | Compressor, for CME1002 50 Hz |
| 5 | 02-3396-01 | Insulation for TXV (half) | Replacement compressors include a crankcase heater. | | |
| 6 | 16-0877-01 | Hot gas manifold | | | |
| 7 | 11-0493-21 | Hot gas valve for CME865 | | 12-2308-01 | Crankcase heater |
| | 11-0491-21 | Hot gas valve for CME1002 | | 12-2304-01 | Clip for crankcase heater |
| 8 | 16-0832-20 | Access valve | 13 | 11-0484-21 | Pump down control switch |
| | 16-0832-03 | Core or Port cap | 14 | 12-2300-07 | Hi temp cut out |
| | 16-0832-02 | Stem cap | | | |
| 9 | 11-0501-22 | Hi pressure control switch | | | |
| 10 | 18-2200-28 | Grommet | | | |
| | 18-2200-27 | Sleeve | | | |
| 11 | 03-1405-20 | Screw | | | |

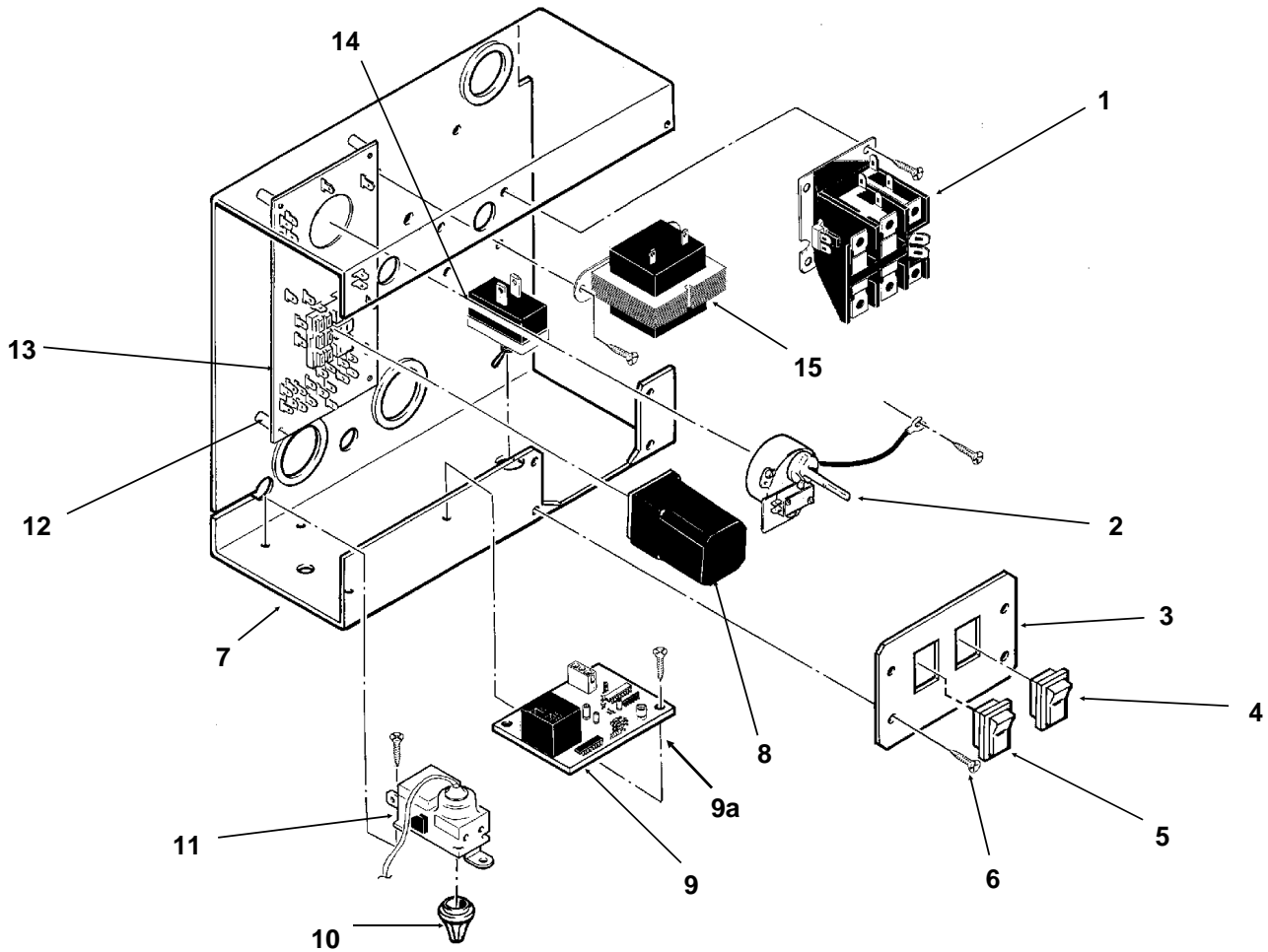


CME865R & CME1002R SERVICE PARTS WATER SYSTEM

| ITEM NUMBER | PART NUMBER | DESCRIPTION | ITEM NUMBER | PART NUMBER | DESCRIPTION |
|-------------|-------------|---|-------------|-------------|---------------------------|
| 1 | 02-2527-01 | Water Distributor Tube | 15 | 03-1403-27 | Screw |
| 2 | 02-2521-01 | Water Manifold, long | 16 | A34982-001 | Drain fitting |
| 3 | 13-0617-48 | O-Ring | 17 | 13-0796-01 | Reservoir Drain Cap |
| 4 | A29703-001 | Water Manifold, short | 18 | 13-0617-02 | O-ring |
| 5 | 02-2895-01 | Water Restrictor | 19 | 13-0674-07 | Drain hose (16.5" needed) |
| 6 | 13-0674-07 | Tube (need 30") | 20 | 02-3094-01 | Hose clamp |
| 7 | 02-3094-01 | Hose clamp | 21 | 02-2606-01 | Drain tube |
| 8 | 02-2878-01 | End cover | | | |
| 9 | 02-2890-03 | Evaporator Cover | | | |
| 10 | A35861-001 | Reservoir, includes items 16,17,18 & 21 | | | |
| 11 | 03-1404-10 | Screw | | | |
| 12 | 13-0674-02 | Hose (12" needed) | | | |
| 13 | 12-2419-62 | Water Pump | | | |
| 14 | A36308-001 | Housing, pump | | | |

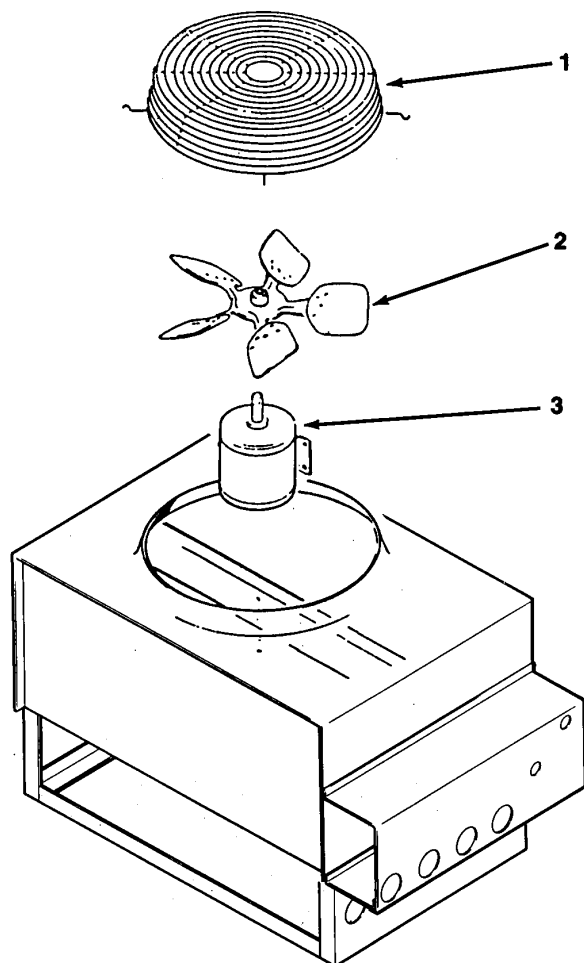


CME865R & CME1002R SERVICE PARTS CONTROL BOX



| ITEM NUMBER | PART NUMBER | DESCRIPTION | ITEM NUMBER | PART NUMBER | DESCRIPTION |
|-------------|-------------|--|-------------|-------------|---|
| 1 | 12-0739-02 | Contactora 3 phase | 14 | 12-0426-01 | Compressor on off switch |
| | 12-2469-02 | Contactora single phase | 15 | 12-2285-22 | Transformer |
| 2 | 12-2107-22 | Timer, & switch, 60 Hz | | | |
| | 12-2107-26 | Timer & switch, 50 Hz | | | |
| 3 | 02-3173-01 | Cover plate | Not Shown: | | |
| 4 | 12-2414-01 | ON/OFF/WASH switch | 16 | A34845-015 | Control Box Cover |
| 5 | 12-2411-01 | Bin ice level switch | 18 | 18-1903-46 | Potential Relay for CME865 or 1002 60 Hz |
| | 12-2402-01 | Wire harness, bin level switch to sonar board | | 18-1903-46 | Potential Relay for CME1002 50 Hz |
| 6 | 03-1638-03 | Screw | | 18-1903-33 | Potential Relay for CME865 50 Hz |
| 7 | no number | Control box | | | |
| 8 | 12-1879-03 | Relay | | | |
| 9 | 12-2376-21 | Bin level control board | | | |
| 9a | 12-2350-01 | Stand off for bin level board | | | |
| 10 | no number | Knob, part of item 11 | | | |
| 11 | 11-0436-21 | Cube size control, includes knob | | | |
| 12 | 02-2242-02 | Stand off | | | |
| 13 | 12-1912-01 | Circuit board | | | |

CME865R & CME1002R SERVICE PARTS



SCOTSMAN REMOTE CONDENSER

RCE1001 or RCE1002

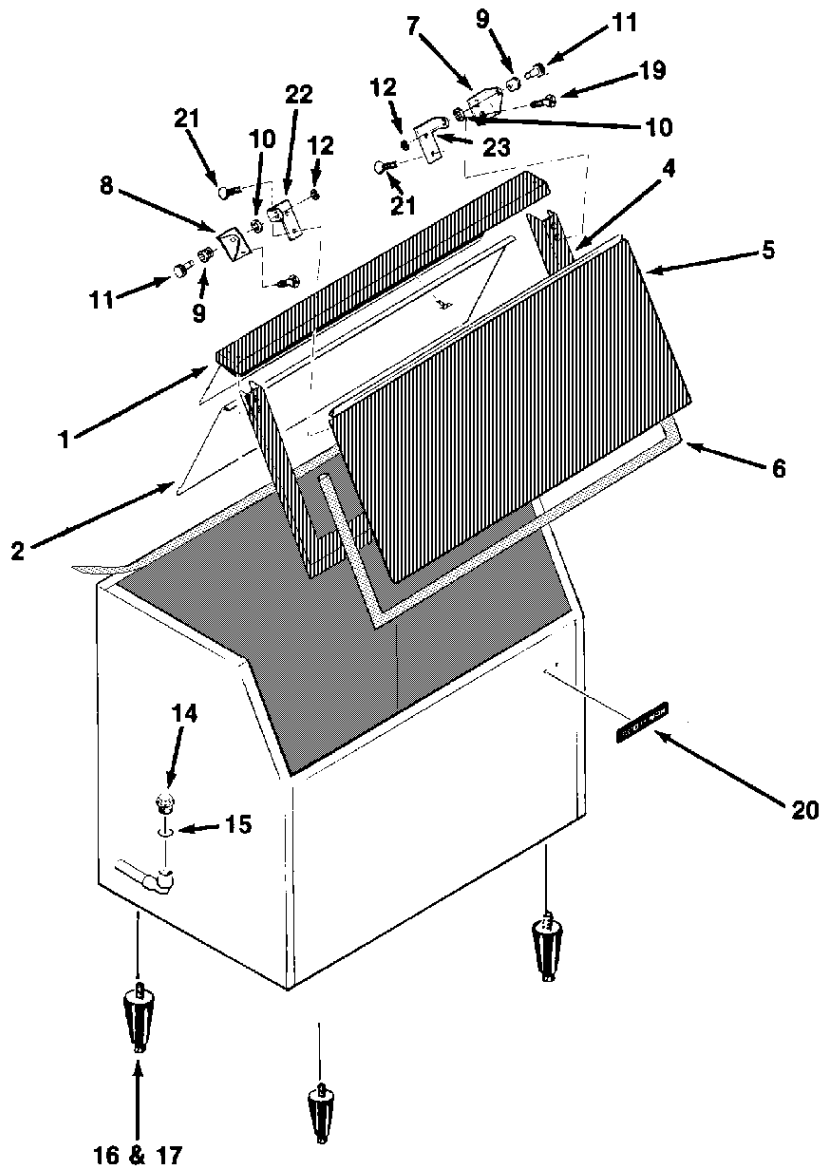
| ITEM NUMBER | PART NUMBER | DESCRIPTION |
|--------------------------|-------------|------------------------|
| 1 | 02-2618-01 | Fan Guard |
| 2 | 18-6304-01 | Fan Blade |
| 3 | 18-5301-01 | Fan Motor |
| For Precharged Line set: | | |
| 4 | 16-1057-01 | Female coupling (3/8") |
| 5 | 16-1057-02 | Female coupling (1/2") |

ERC301

| | | |
|---|------------|-----------|
| 1 | 02-3575-01 | Fan guard |
| 2 | 18-8800-01 | Fan blade |
| 3 | 18-8797-32 | Fan motor |

CME865R & CME1002R SERVICE PARTS

ICE STORAGE BIN SERVICE PARTS



BH550

| ITEM NUMBER | PART NUMBER | DESCRIPTION | ITEM NUMBER | PART NUMBER | DESCRIPTION |
|-------------|-------------|--------------------------|-------------|-------------|----------------------|
| 1 | A33921-001 | Canopy | 14 | 02-2809-01 | Drain Top |
| 2 | a32580-001 | Baffle | 15 | 13-0617-11 | O-Ring |
| 3 | 19-0503-04 | Gasket | 16 | KLPE | Leg kit, black |
| 4 | A33922-020 | Door Frame | 17 | KLPS | Leg kit, nickel |
| | A37639-021 | Door frame, C series bin | 18 | 03-1404-06 | Screw |
| 5 | A33938-020 | Door | 19 | 03-1360-02 | Screw |
| 6 | 13-0595-00 | Door Gasket, 6' req. | 20 | 15-0711-01 | Emblem |
| 7 | A32396-002 | Hinge Right | 21 | 03-1418-41 | Screw |
| 8 | A32396-001 | Hinge Left | 22 | A32546-001 | Door hinge left |
| 9 | 02-2380-02 | Hinge Bushing | 23 | A32546-002 | Door hinge right |
| 10 | 02-2380-02 | Hinge Spacer | 24 | 03-1423-07 | Speed nut for baffle |
| 11 | 02-2806-01 | Shoulder Screw | | | |
| 12 | 03-1539-09 | E-Clip | | | |
| 13 | 03-0727-06 | Thumb Screw | | | |

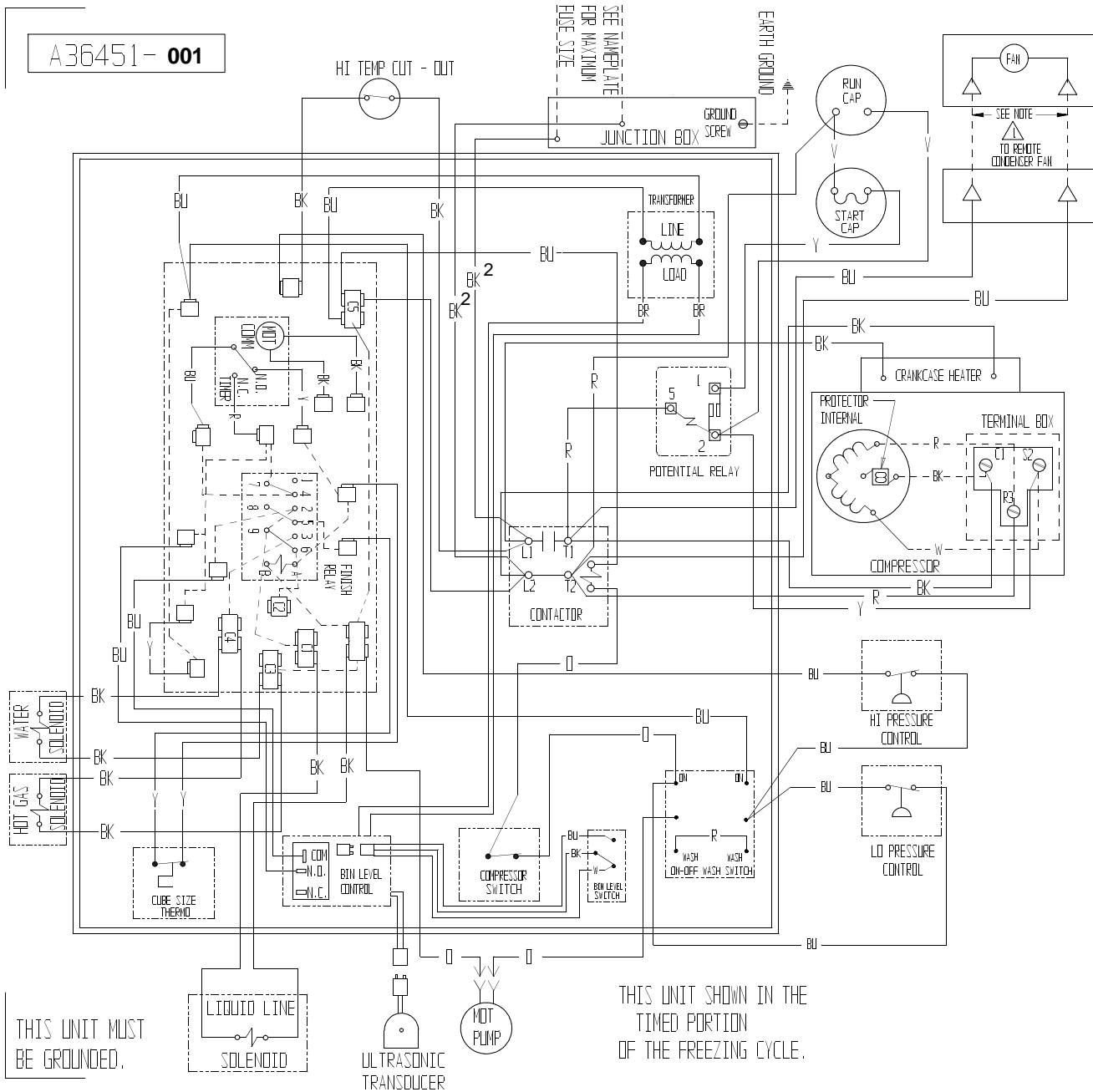
CME865R & CME1002R SERVICE PARTS

Single Phase Wiring Diagram

Note 2:

Wire color for -32 (60 Hz) units: Black
Wire color for -6 (50 Hz) units: Brown

Power Supply: See
Nameplate for Proper
Voltage Requirements and
Maximum Fuse Size

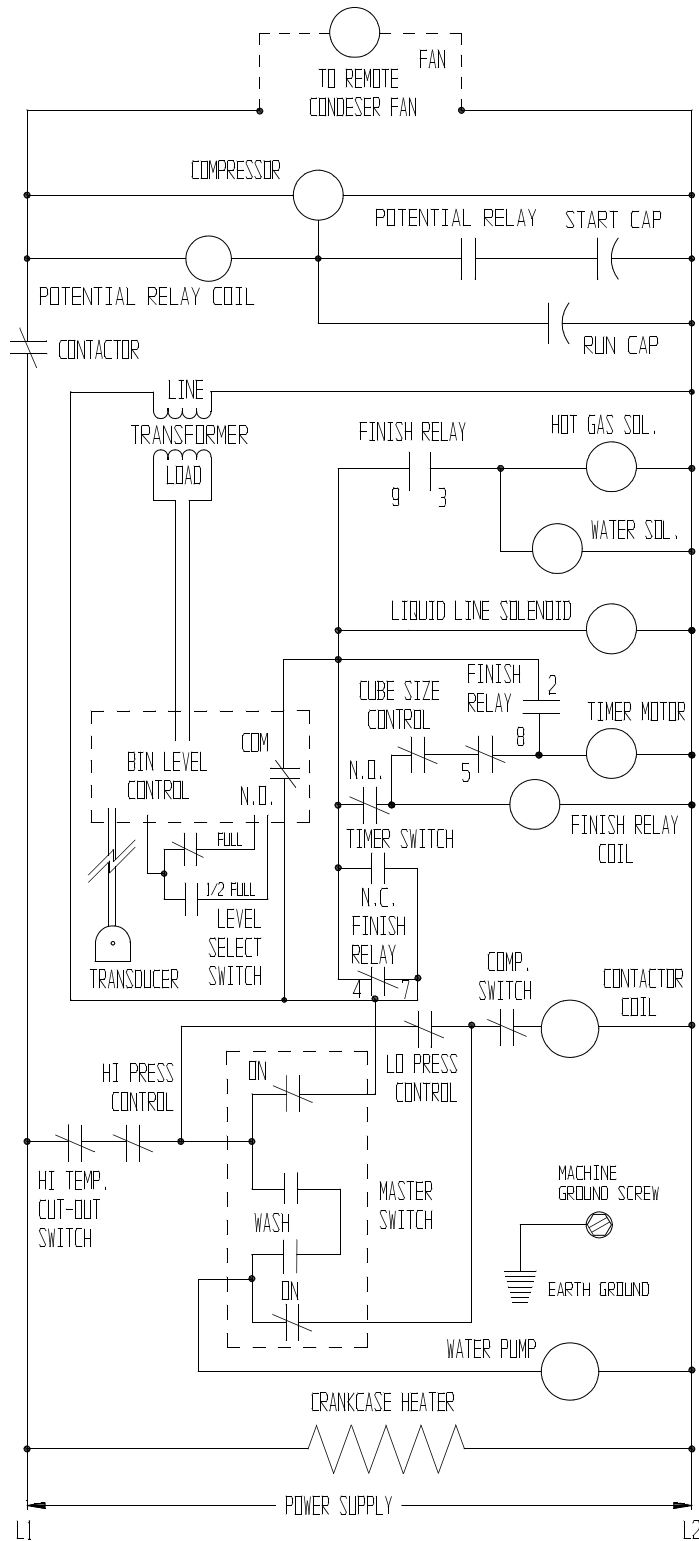


CME865R & CME1002R SERVICE PARTS

Single Phase Schematic Diagram

CAUTION:

MORE THAN ONE DISCONNECT MEANS MAY BE REQUIRED TO DISCONNECT ALL POWER TO THIS UNIT.



CME865R & CME1002R SERVICE PARTS

3 Phase Wiring Diagram

