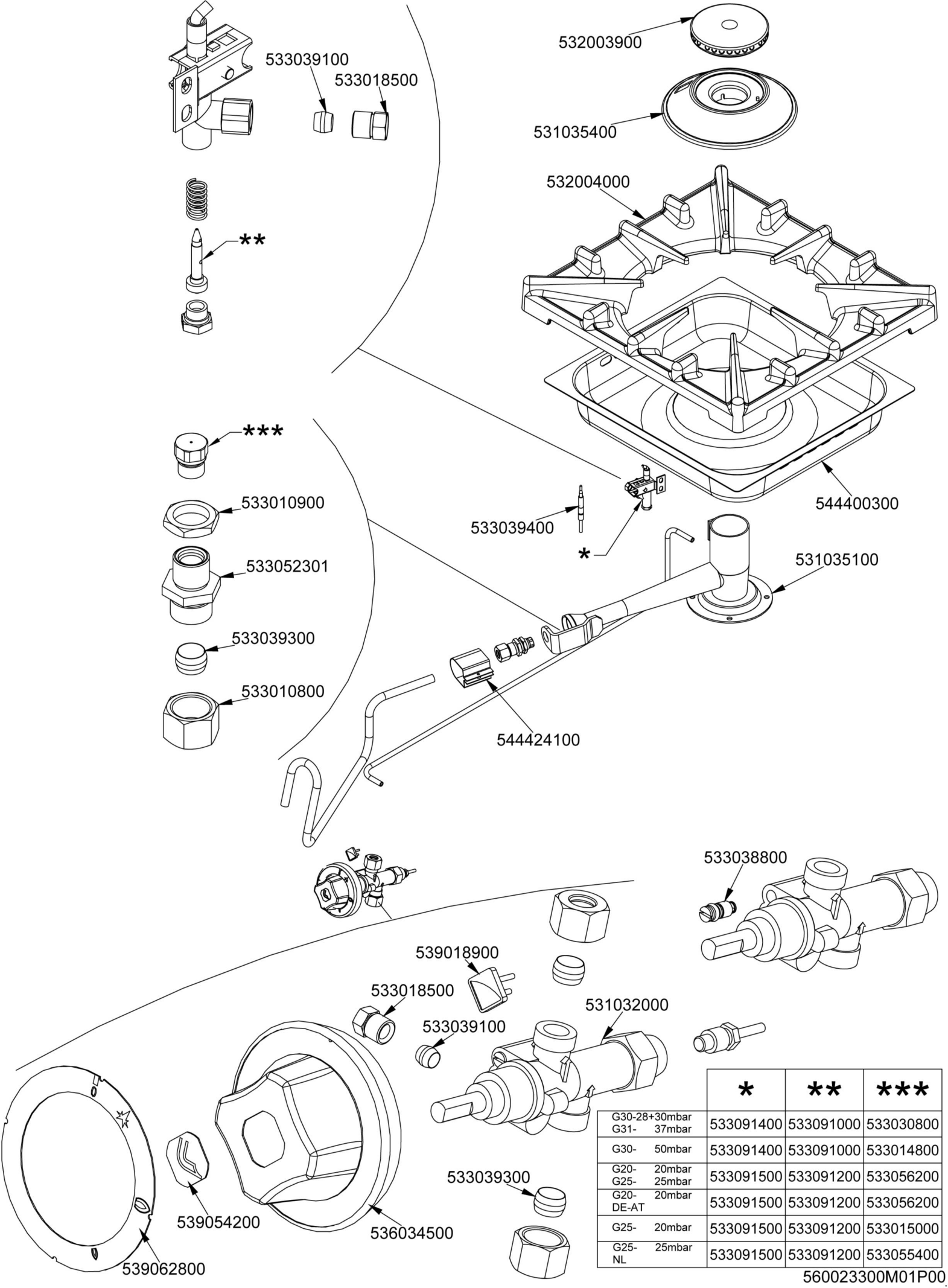
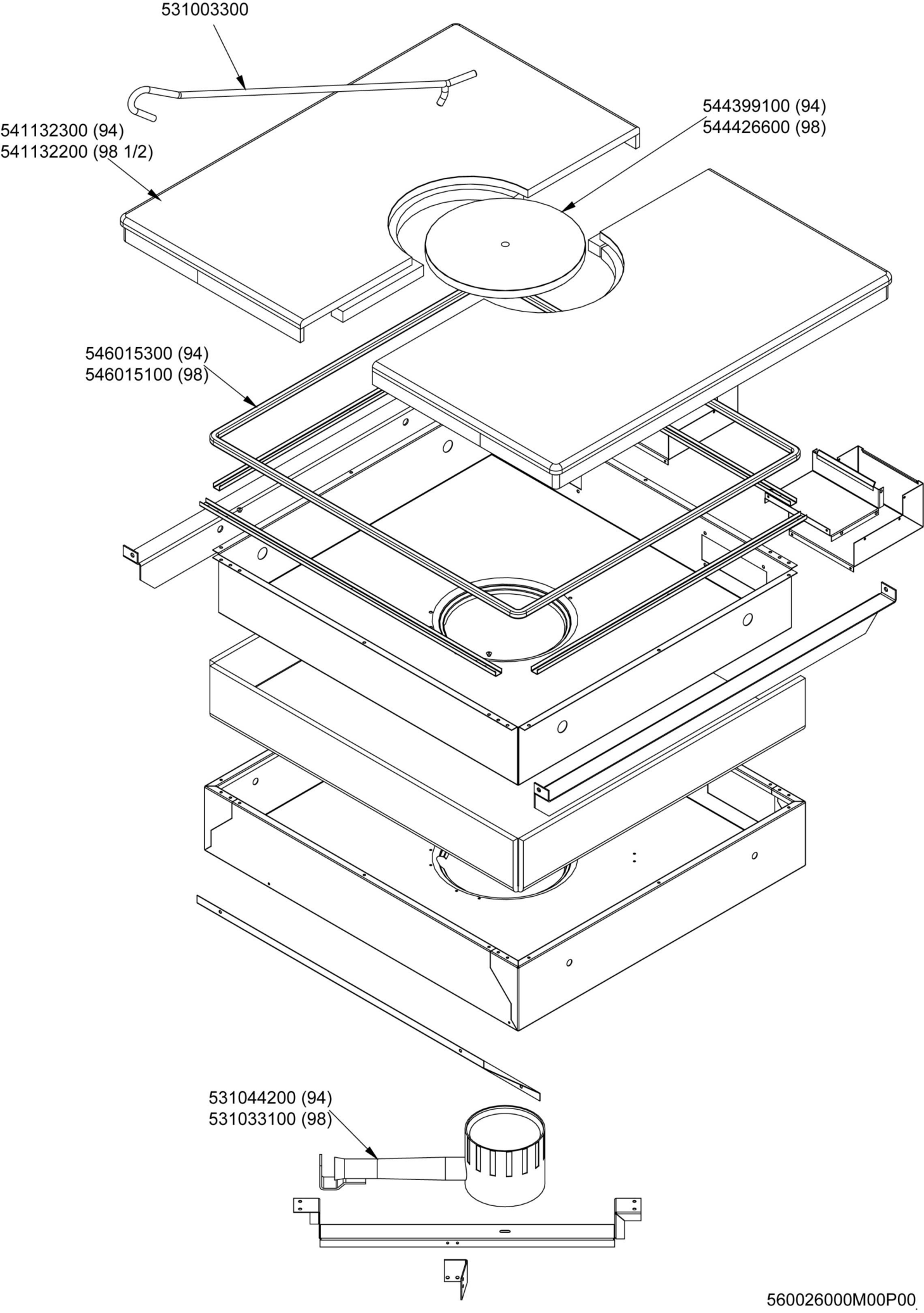


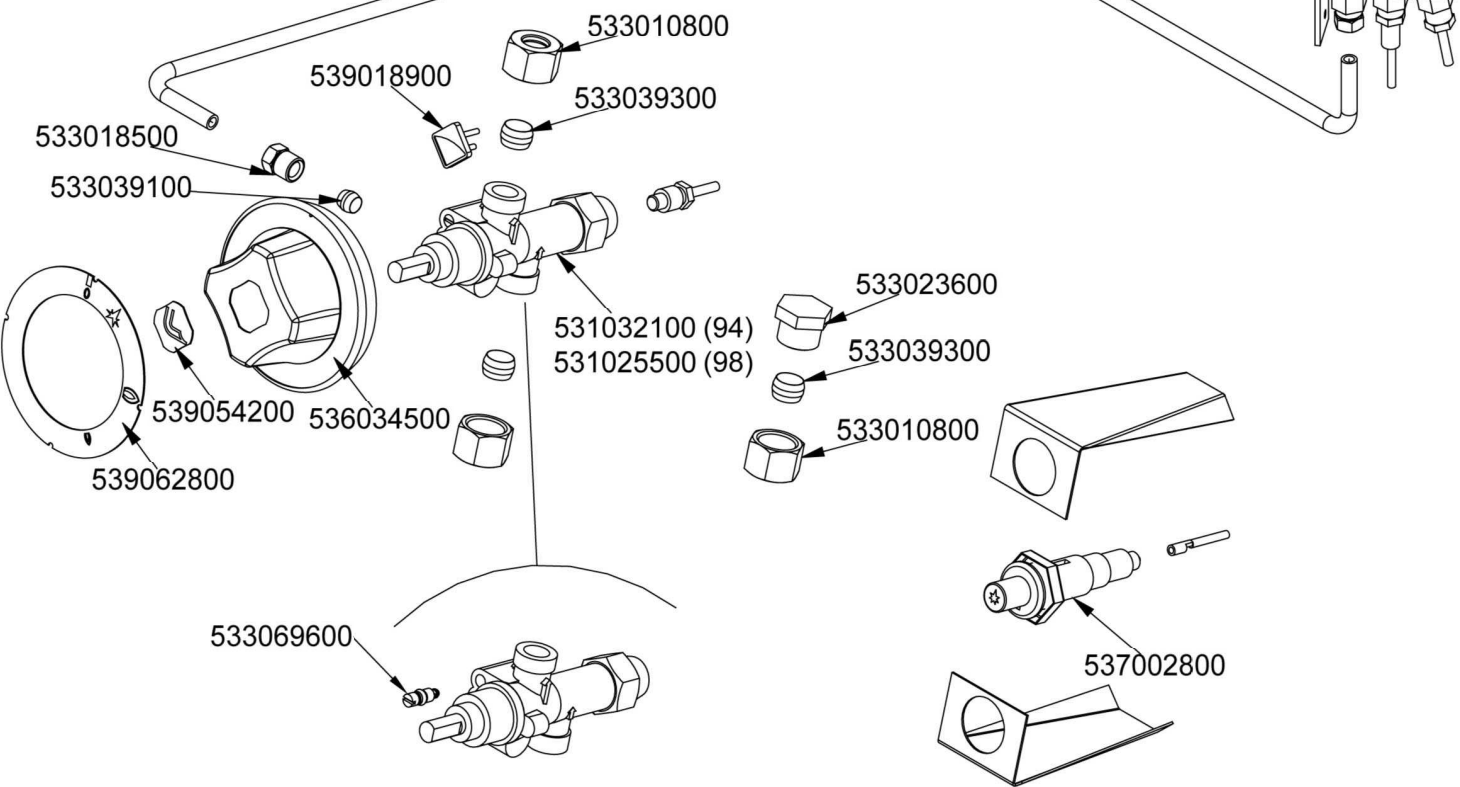
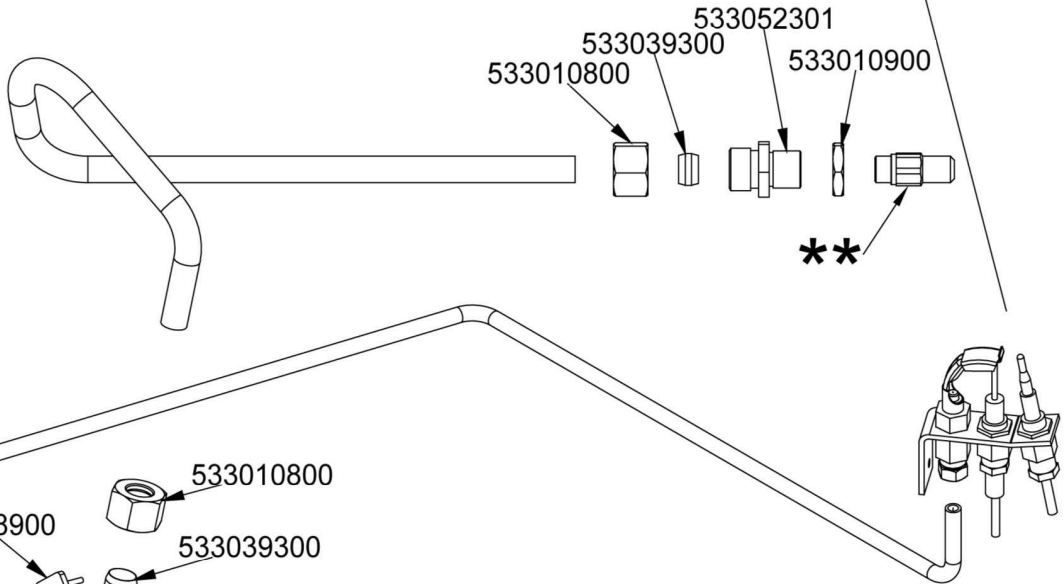
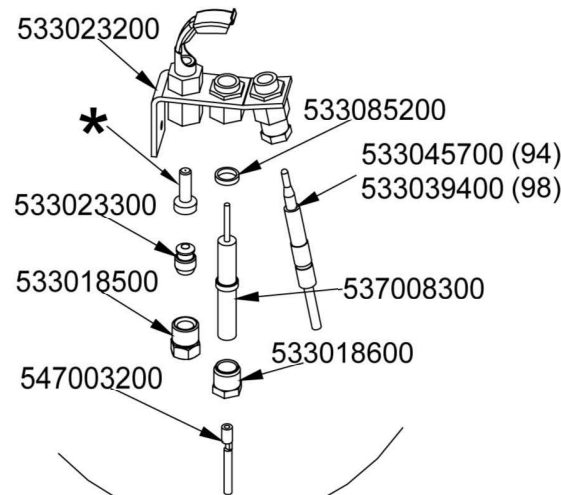
	*	**	***
G30-28+30mbar	533091400	533091000	533043800
G31- 37mbar	533091400	533091000	533043900
G30- 50mbar	533091500	533091200	533044000
G20- 20mbar	533091500	533091200	533044000
G25- 25mbar	533091500	533091200	533055100
G20- 20mbar DE-AT	533091500	533091200	533055000
G25- 20mbar	533091500	533091200	533055000
G25- 25mbar NL	533091500	533091200	533055000



	*	**	***
G30-28+30mbar G31- 37mbar	533091400	533091000	533030800
G30- 50mbar	533091400	533091000	533014800
G20- 20mbar G25- 25mbar	533091500	533091200	533056200
G20- 20mbar DE-AT	533091500	533091200	533056200
G25- 20mbar	533091500	533091200	533015000
G25- 25mbar NL	533091500	533091200	533055400



	*	**	**
		TP-94	TP-98
G30-28+30mbar G31- 37mbar	533020500	533057700	533019600
G30- 50mbar	533020500	533057600	533046200
G20- 20mbar G25- 25mbar	533020600	533047400	533057500
G20- DE-AT	533020600	533047400	533057500
G25- 20mbar	533020600	533047300	533032801
G25- NL	533020600	533047500	533032001
G20- 25mbar	533020600	533046400	



Page	Pos	Code	Description
001		532004100	FLUE GRID L=370 90LINE (RAF
001		541118000	UPPER PLATE TP2-912G(TPF2-912G/GV
001		544446900	LHD SIDE FOR 90T APPLIANCES
001		541120200	CONTROL PANEL T2P-912G
001		544446800	
001		533010500	LEG M10*25 D.40
002		533039100	BICONE §6
002		533018500	FITTING FOR BICONE D.6 M10*1
002		532003800	BURNER COVER RING §082
002		531035300	MEDIUM BURNER BODY 90 LINE
002		532004000	1 FLAME GRILL 396X366 (90
002		544400200	BURNER DRIP PAN 2/3
002		533010900	NUT M14*1 H.4
002		531035000	MEDIUM BURNER VENTURI 90 LINE
002		533052301	JOINT FOR NOZZLE HOLDER
002		533039300	BICONE §10
002		533010800	TUBE NUT D.10 M16*1,5
002		533039400	THERMOCOUPLE M9*1*850
002		544424100	AIR ADJUSTMENT BUSHING*BURNER PC90
002		533080200	BY PASS COCK §65 20S-21S
002		539018900	INDEX FOR KNOB W/RED SIGN
002		531043000	GAS COCK 21S P.V. BY-PASS §065
002		539054200	STAMP Ø20,5 CR."L" LOTUS R.
002		536034500	KNOB §77 4P. §08*6,5
002		539062800	RED STICKING DISK 72
002		533091400	P.NOZZLE S100 UG.§20 PC90 LPG-FLUS
002		533091500	PILOT NOZZLE S.100 §30 PC90 NAT.GAS
002		533091000	NOZZLE 0.100 §20
002		533091200	PILOT NOZZLE 0100 Ø35 PIL.PC
002		533043800	NOZZLE §130 CH12*14 G-CW4
002		533043900	NOZZLE §115 CH12*14 F-CW4
002		533044000	NOZZLE §195 CH12*14 M-CW4
002		533055100	NOZZLE §215 CH12*14 L-CW4
002		533055000	NOZZLE §205 CH12*14 G25 CW4
003		533039100	BICONE §6
003		533018500	FITTING FOR BICONE D.6 M10*1
003		532003900	BURNER COVER RING §100
003		531035400	BIG BURNER BODY 90 LINE
003		532004000	1 FLAME GRILL 396X366 (90
003		533010900	NUT M14*1 H.4
003		533039400	THERMOCOUPLE M9*1*850
003		544400300	BURNER DRIP PAN 2/3
003		533052301	JOINT FOR NOZZLE HOLDER
003		531035100	BIG BURNER VENTURI 90 LINE
003		533039300	BICONE §10
003		533010800	TUBE NUT D.10 M16*1,5
003		544424100	AIR ADJUSTMENT BUSHING*BURNER PC90
003		533038800	75 BY-PASS FOR 21S TAP
003		531032000	GAS COCK P.V.BY-PASS Ø075
003		539018900	INDEX FOR KNOB W/RED SIGN
003		536034500	KNOB §77 4P. §08*6,5

Page	Pos	Code	Description
003		539054200	STAMP Ø20,5 CR."L" LOTUS R.
003		539062800	RED STICKING DISK 72
003		533091400	P.NOZZLE S100 UG. §20 PC90 LPG-FLUS
003		533091500	PILOT NOZZLE S.100 §30 PC90 NAT.GAS
003		533091000	NOZZLE 0.100 §20
003		533091200	PILOT NOZZLE 0100 Ø35 PIL.PC
003		533030800	NOZZLE §155 CH12X14 M-CW
003		533014800	NOZZLE §135 CH12*14,0
003		533056200	NOZZLE §230 CH12*14
003		533015000	NOZZLE D.I 260 G110 (TOWN GAS
003		533055400	NOZZLE §245 CH12*14
004		531003300	TP-PLATE LIFTING HOOK
004		541132300	PLATE TP-94G
004		541132200	PLATE TP-98G (1/2
004		544399100	PLATE RING FOR TP-74G TP-94G
004		544426600	PLATE RING FOR TP-98G
004		546015300	SQUARE BRAID 12*12*L=1821
004		546015100	SQUARE BRAID OF INSULATING MATERIAL
004		531044200	CIRCULAR BURNER TP D.066
004		531033100	BURNER TP..-78G
005		533023200	TARGET PILOT + NIPPLE TC BRAC.90°
005		533085200	SPACER FOR PILOT PLUG
005		533045700	THERMOCOUPLE M9*1 500
005		533039400	THERMOCOUPLE M9*1*850
005		533023300	BICONE §6 ("TARGET" PILOT
005		537008300	ROUND PLUG §2,4- LONG ELECTRODE
005		533018500	FITTING FOR BICONE D.6 M10*1
005		547003200	HIGH-VOLTAGE CABLE TUBE.§2 L=500
005		533018600	PLUG FITTING
005		533010900	NUT M14*1 H.4
005		533052301	JOINT FOR NOZZLE HOLDER
005		533039300	BICONE §10
005		533010800	TUBE NUT D.10 M16*1,5
005		539018900	INDEX FOR KNOB W/RED SIGN
005		533039100	BICONE §6
005		539062800	RED STICKING DISK 72
005		539054200	STAMP Ø20,5 CR."L" LOTUS R.
005		536034500	KNOB §77 4P. §08*6,5
005		531032100	GAS COCK 21S P.V.BY-PASS Ø100
005		531025500	GAS COCK 21S P.V.BY-PASS Ø130
005		533023600	TAP PLUG §10 M16*1, 5CH19
005		533069600	BY PASS COCK §130 20S-21S
005		537002800	PIEZOELECTRIC IGNITION M18 WITH NUT
005		533020500	NOZZLE 0.140 §19
005		533020600	NOZZLE 0.140 §27
005		533057700	NOZZLE §130A CH12*30 F-BRF74
005		533057600	NOZZLE §115A CH12*30 G-BRF74
005		533047400	NOZZLE §195 CH12*30 M-BM8
005		533047300	NOZZLE §215 CH12*30 L-BM8
005		533047500	NOZZLE §205 CH12*30 ML-BM-8G
005		533046400	NOZZLE §185 CH12*30 G-CPM

Page	Pos	Code	Description
005		533019600	NOZZLE §165 CH12*30 MH-FT5 H-FT6
005		533046200	NOZZLE §150 CH12X30 L-BR TP
005		533057500	NOZZLE §260 CH12X30
005		533032801	NOZZLE §280 CH12*30 M-CPM
005		533032001	NOZZLE §270 CH12*30 MH-CPM