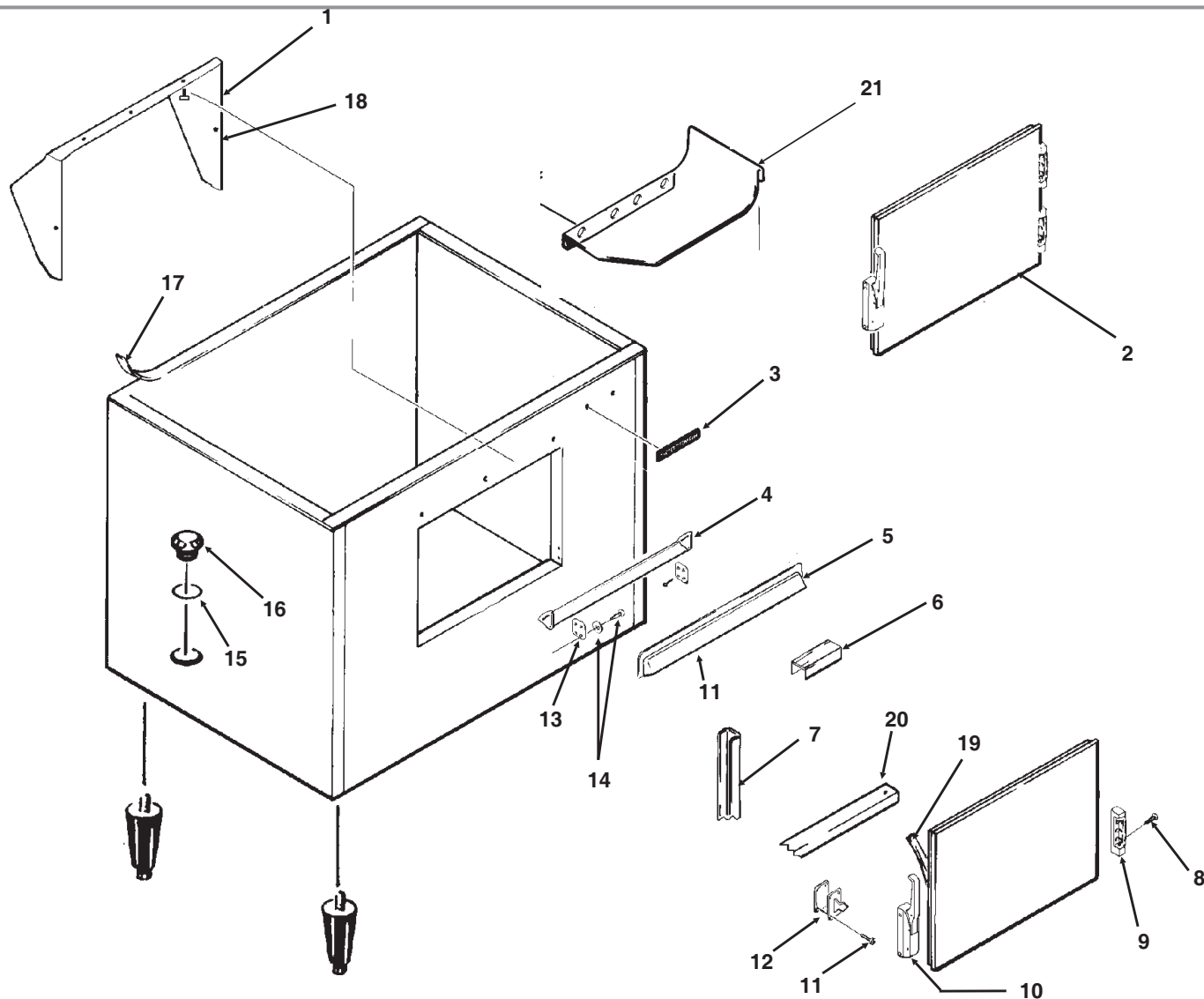


# Bins, Condensers, and Accessories Service Parts

**B90/BX87**



ITEM NUMBER	PART NUMBER	DESCRIPTION			
1	A15114-000	Baffle			
2	A18300-013	Complete Door-brown			
	A18300-032	Complete door, gray			
	A18300-010	Complete Door, sandalwood.			
	A18300-002	Complete door, SS			
3	02-1000-00	Plastic door liner			
	15-0711-01	Emblem for sandalwood			
	15-0808-01	Emblem for gray			
4	A17342-000	Spill Door			
5	no number	Awning			
6	no number	Door Trim Cap			
7	A25931-001	Door Trim side			
8	03-1285-00	Screw, into door			
	03-1419-28	Screw, into cabinet			
			9	02-2658-03	Hinge
				02-2658-04	Hinge Cover
			10	02-2658-01	Latch
				02-1285-00	Screw, into door
			11	03-1419-28	Screw, into cabinet
			12	02-2658-02	Strike
			13	A25929-001	Spill door hinge
			14	A17302-000	Button storage
				03-1403-15	Screw
			15	13-0617-11	O-ring
			16	02-2809-01	Drain top
			17	19-0503-04	Foam tape
			18	03-0727-01	Thumb screw
			19	13-0264-00	Door gasket
			20	A25932-001	Door trim
			21	A26449-001	Cube chute