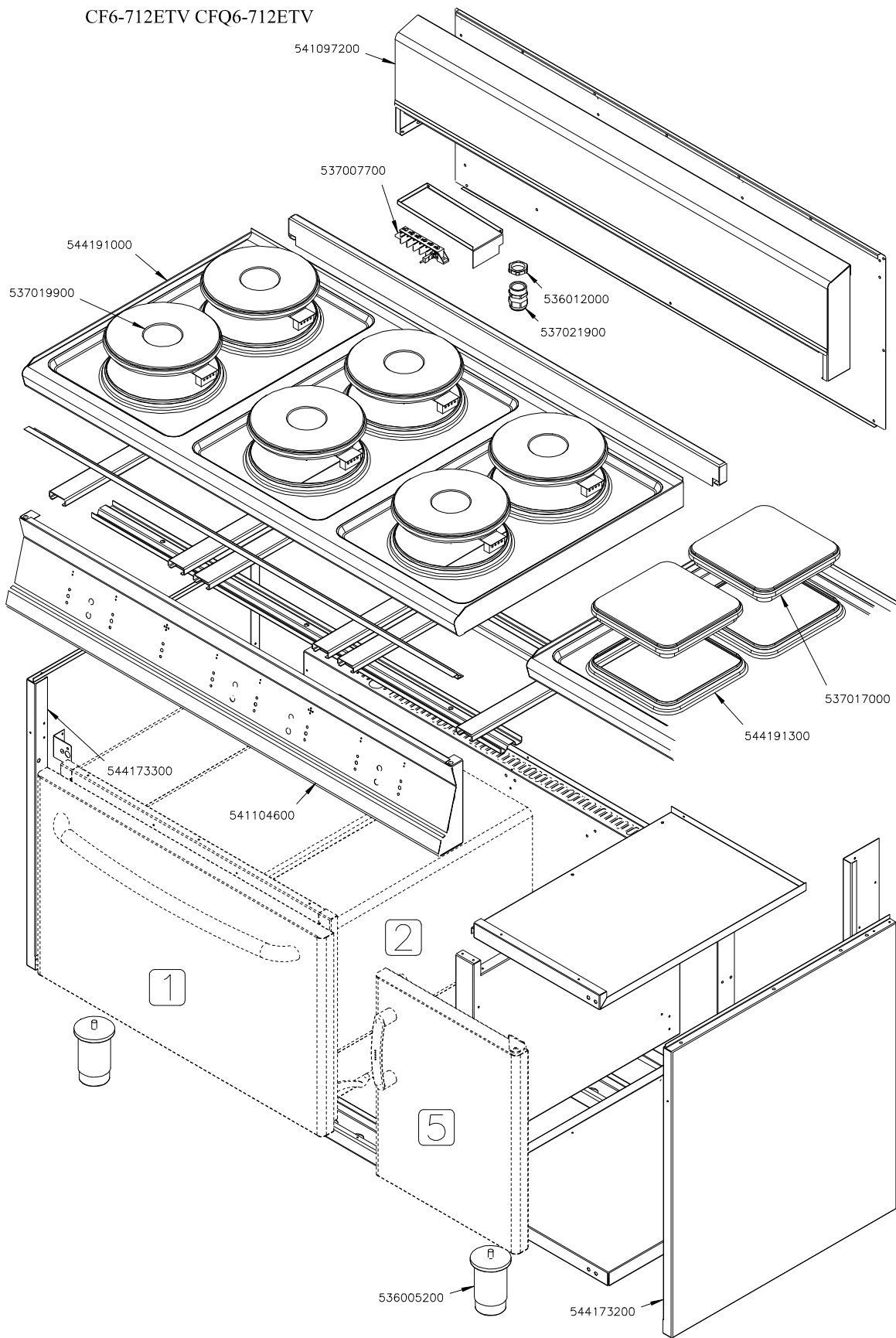
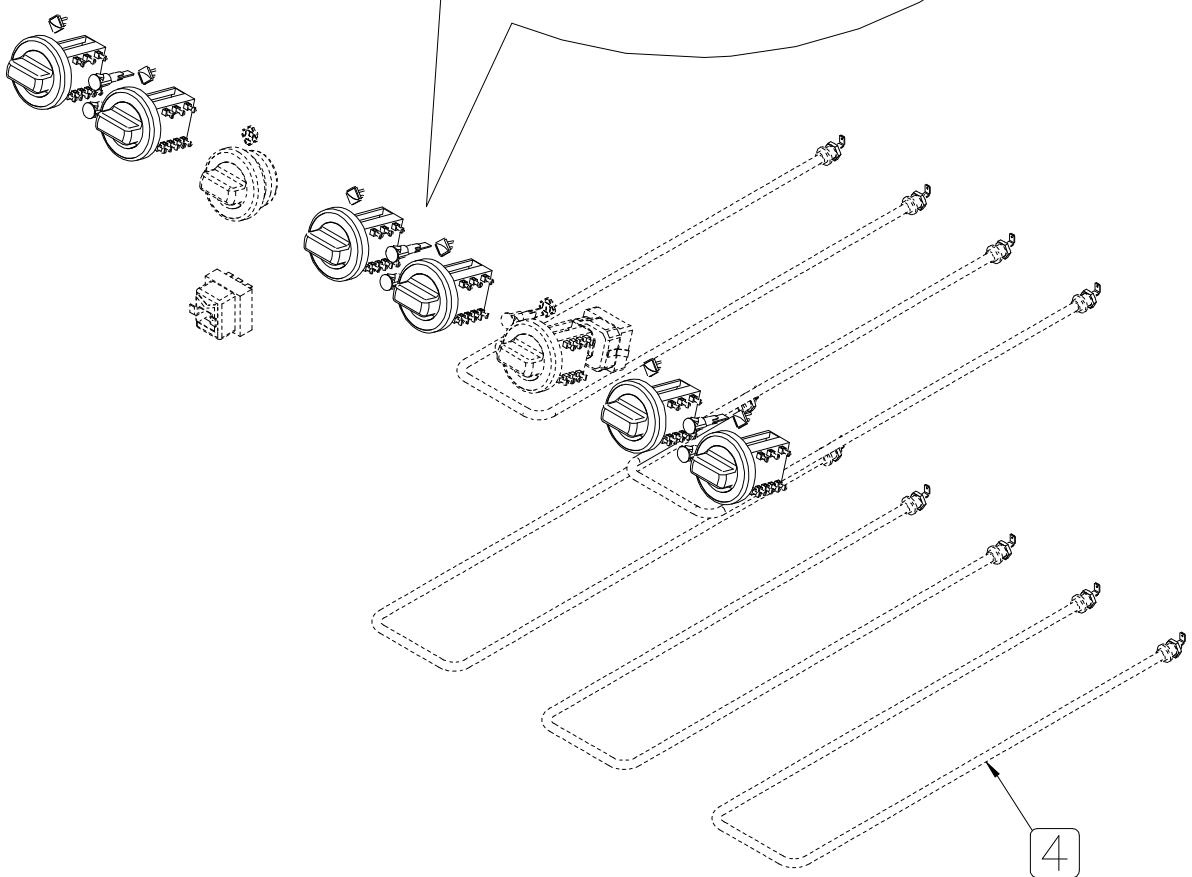
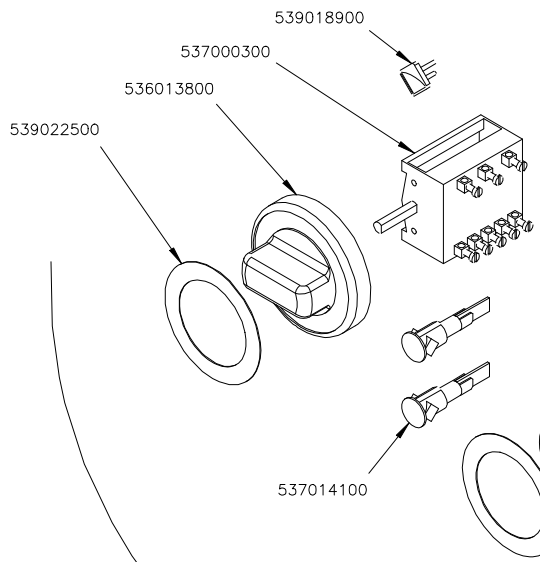


CF6-712ETV CFQ6-712ETV

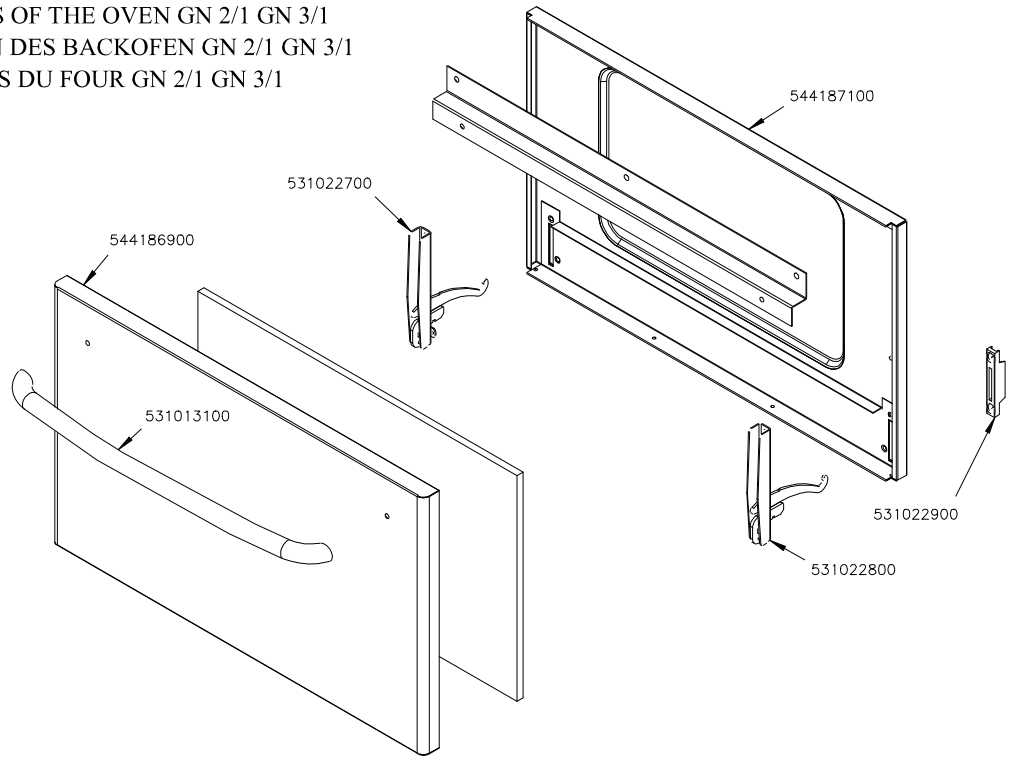


CF6-712ETV CFQ6-712ETV

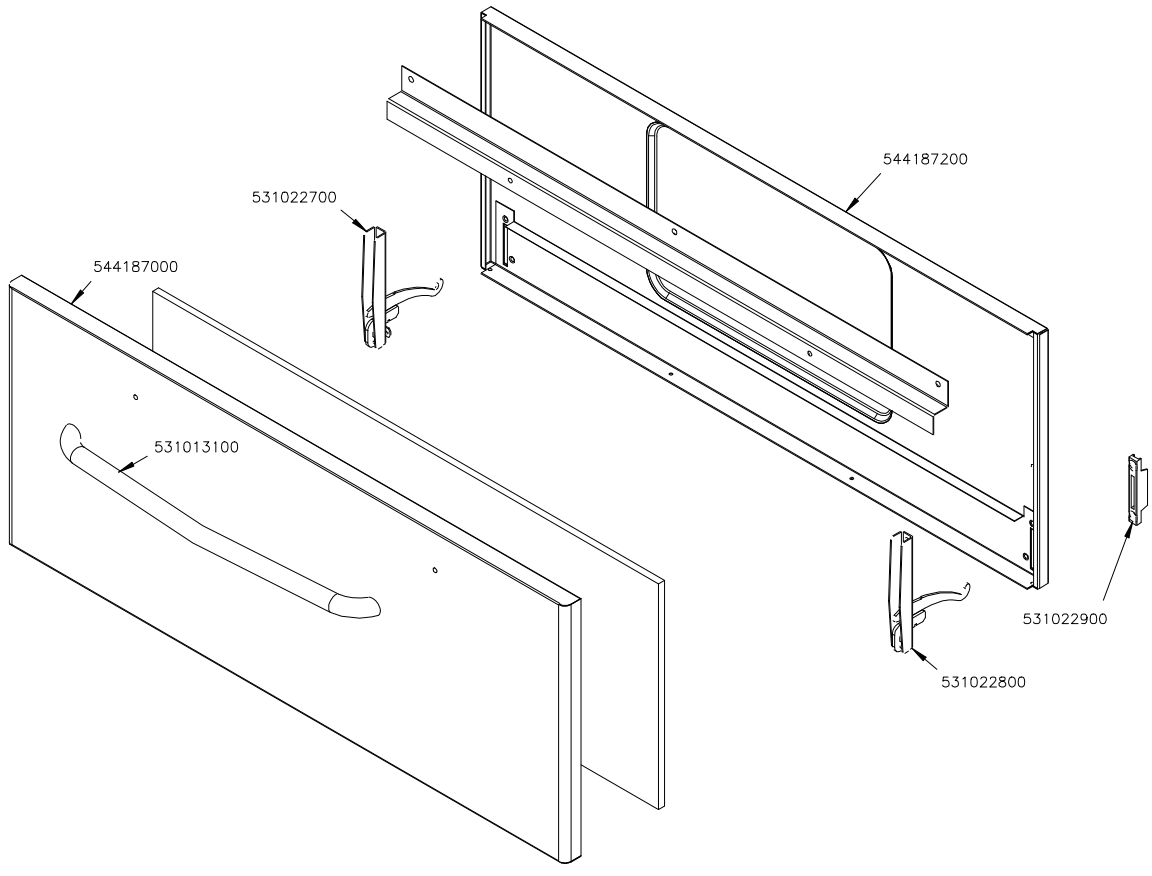


PORTE FORNO GN 2/1 GN 3/1
DOORS OF THE OVEN GN 2/1 GN 3/1
TUREN DES BACKOFEN GN 2/1 GN 3/1
PORTES DU FOUR GN 2/1 GN 3/1

GN 2/1

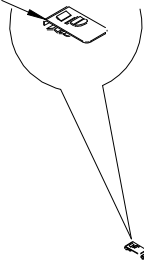


GN 3/1

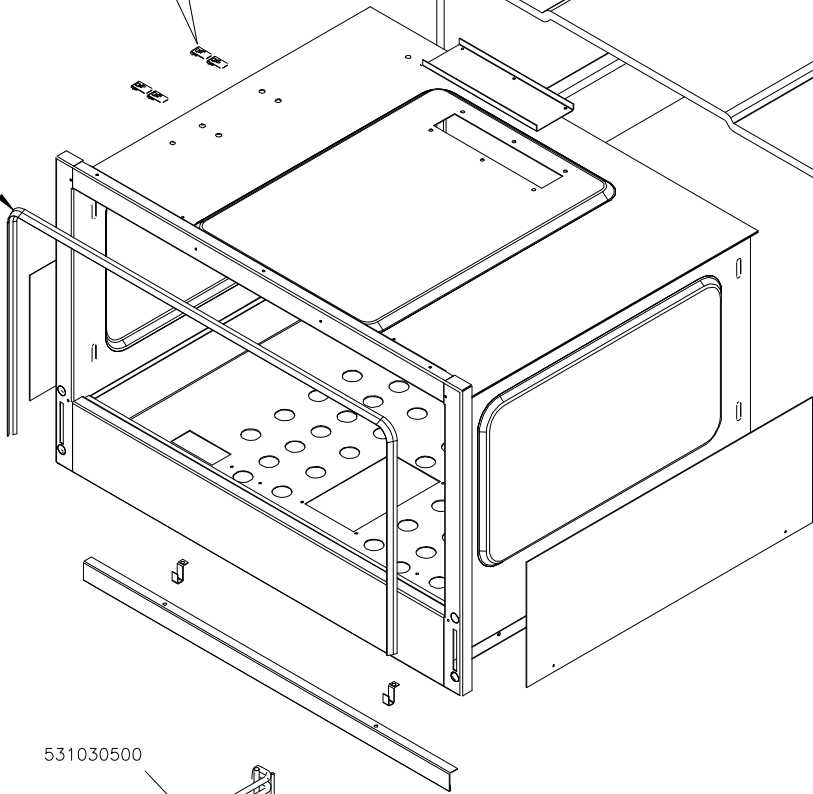


FORNO GN2/1 ELETTRICO CARCASSA
FRAME OF THE ELECTRICAL OVEN GN 2/1
GEHAUSE DES ELEKTROBACKOFEN GN 2/1
CHASSIS DU FOUR A ELECTRIQUE GN 2/1

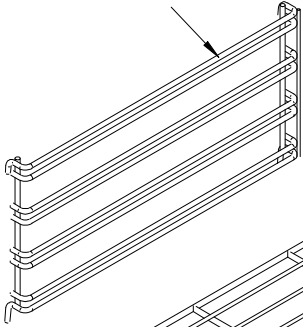
533037600



536010800



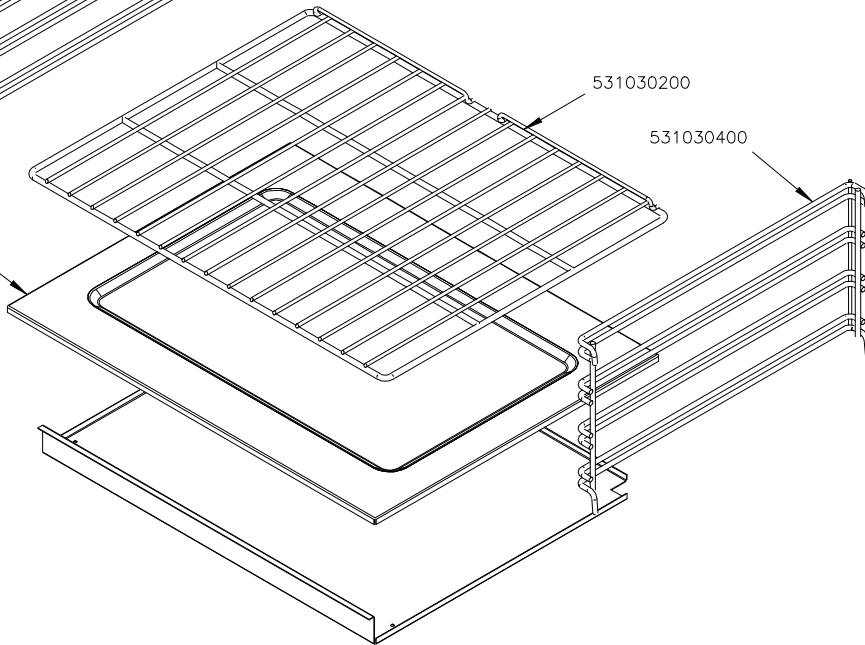
531030500



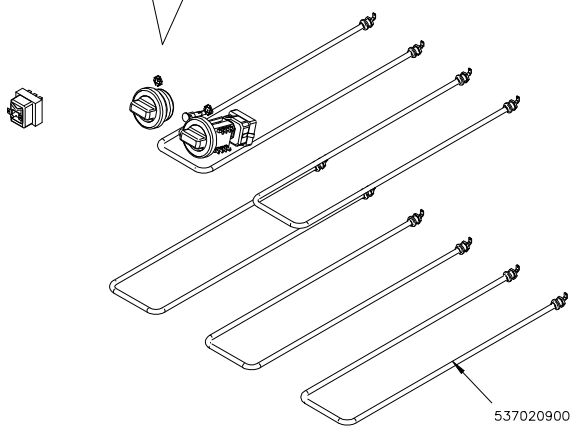
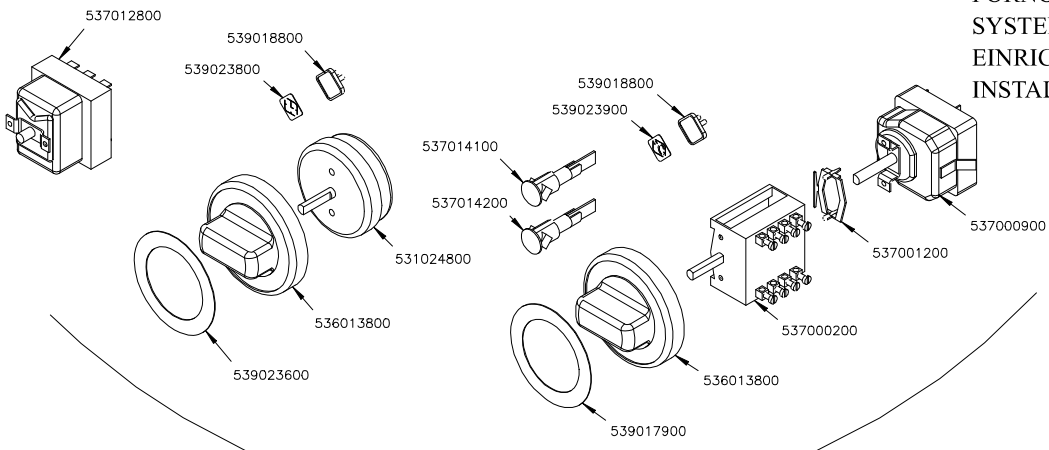
531030200

531030400

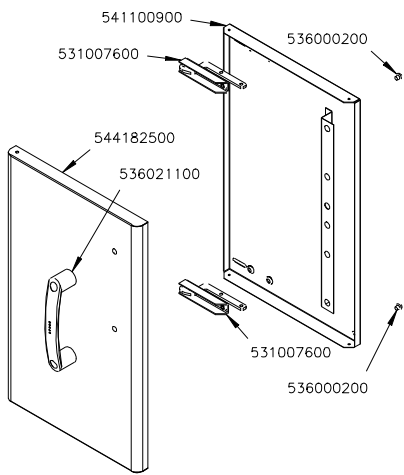
544198900



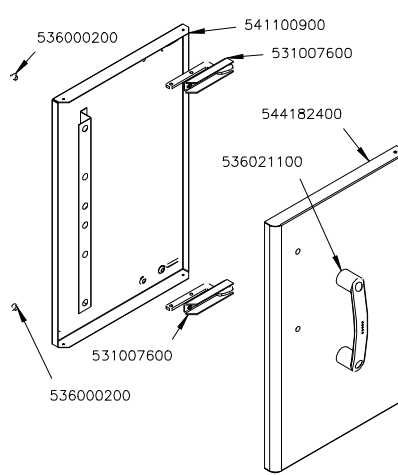
FORNO GN2/1 ELETTRICO IMPIANTO
SYSTEM OF THE ELECTRICAL OVEN GN 2/1
EINRICHTUNG DES ELEKTROBACKOFEN GN 2/1
INSTALLATION DU FOUR A ELECTRIQUE GN 2/1



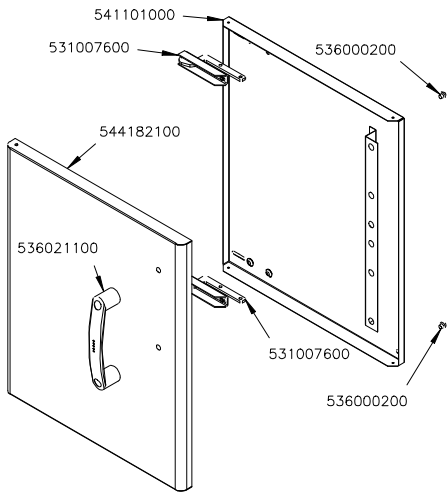
PORTE MOBILE / DOORS OF THE STAND / FLUGELNEN DES UNTERSCHRANK / PORTES DU PLACARD



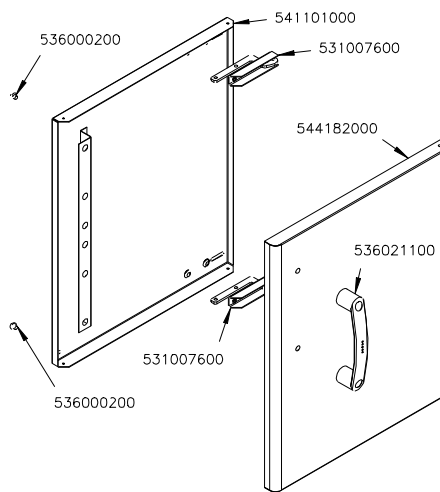
P-73 SX



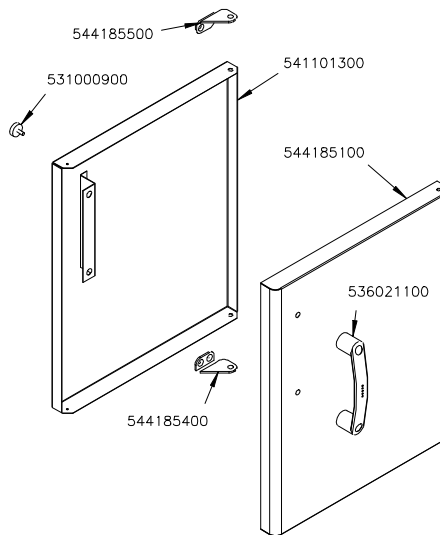
P-73 DX



P-74 SX



P-74 DX



P-74 DX CF

Page	Pos	Code	Description
001		541097200	NEUTRAL SPACER 712
001		537007700	TERMINAL BLOCK THREEPHASE 40A
001		536012000	HEXAGONAL LOCK NUT PG-21
001		537021900	CABLE SECURING CLAMP V.TEC 21 D.24
001		544191000	UPPER PLATE PC-712E ROUND PLATE
001		537019900	PLATE D.220 W2600 V230
001		537017000	PLATE 220X220 W2600 V230
001		544191300	UPPER PLATE PC-712E SQUARE PLATE
001		544173300	LEFT SIDE PANEL RANGE S.70
001		541104600	CONTROL PANEL CF6-712EV
001		536005200	INOX LEG 2" 120-180 M10
001		544173200	RIGHT SIDE PANEL RANGE S.70
002		539018900	INDEX FOR KNOB
002		537000300	COMMUTATOR 7 POSITIONS S.49 16A
002		536013800	KNOB D.70 BLACK 6*5 WITH SPRING
002		539022500	ADHESIVE GRADUATED DISC FOR KNOB
002		537014100	WHITE WARNING LIGHT 250V
003		544187100	OVEN INNER DOOR GN 2/1 S.70
003		531022900	HINGE DOOR WHEEL HOLDER S.70
003		531022800	LEFT OVEN DOOR HINGE S.70
003		531022700	RIGHT OVEN DOOR HINGE 70LINE
003		544186900	OVEN DOOR GN 2/1 S.70
003		531013100	OVEN DOOR HANDLE OF 70/90-LINE
004		533037600	LOCK SPRING FOR BULB
004		536010800	OVEN GASKET GN 2/1 (1261)
004		531030500	LHD SUPPORT GRID FOR OVEN OF 70LINE
004		531030200	OVEN GRID GN 2/1 FOR 70 LINE
004		531030400	RHD SUPPORT GRID FOR OVEN OF 70LINE
004		544198900	70 ELECTRICAL OVEN BOTTOM GN2/1
005		537012800	SAFETY THERMOSTAT 420°C THREEPHASE
005		539018800	INDEX FOR OVEN KNOB
005		539023800	SIGN PLATE FOR OVEN TIMER
005		539023900	SIGN PLATE FOR OVEN TEMPERATURE
005		537014100	WHITE WARNING LIGHT 250V
005		537014200	GREEN WARNING LIGHT 250V
005		531024800	TIMER 120'- 360°
005		536013800	KNOB D.70 BLACK 6*5 WITH SPRING
005		539023600	ADHESIVE GRADUATED DISC FOR KNOB
005		537000900	THERMOSTAT 50-320°C THREEPHASE
005		537001200	FIXING BRACKET FOR THERMOSTAT/COMM.
005		537000200	COMMUTATOR 1 POS. 3PHASE S.49 16A
005		539017900	ADHESIVE GRADUATED DISC FOR KNOB
005		537020900	HEATING ELEMENT 1000W 230V OVEN S70
006		541100900	INNER DOOR 73
006		536000200	D.12 H.4 BUMPER
006		531007600	DOOR HINGE
006		544182500	RIGHT DOOR 73
006		536021100	BLACK HANDLE 70LINE + 2RED POINTS
006		544182400	RIGHT DOOR 73
006		541101000	INNER DOOR 74
006		544182100	LEFT DOOR 74

Page	Pos	Code	Description
006		544182000	RIGHT DOOR 74
006		544185500	UPPER DOOR HINGE FOR COMPARTME CF70
006		531000900	MAGNET §22 KG.3 WITH DISK
006		541101300	RIGHT INNER DOOR 74 CF
006		544185100	RIGHT DOOR 74
006		544185400	LOWER DOOR HINGE FOR COMPARTME CF70