



cookmax 

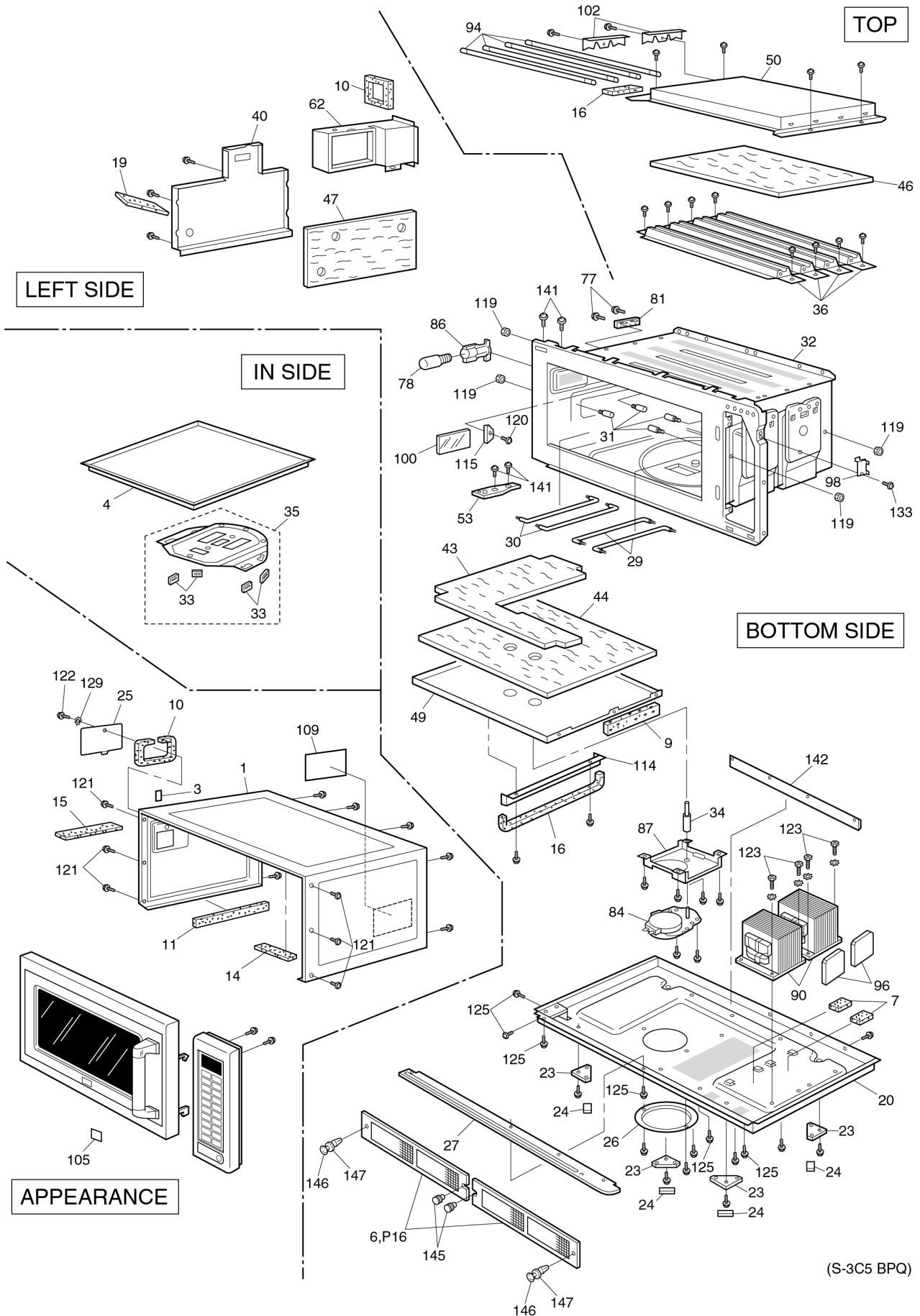
Snackgeräte Mikrowelle

Artikel-Nr.
90213020 (NE-C1475)

Explosionszeichnung / Ersatzteile

Bitte bei Ersatzteilbestellung immer Artikelnummer und Seriennummer mit angeben!

11 EXPLODED VIEW AND PARTS LIST



(S-3C5 BPQ)

12 PARTS LIST

NOTE:

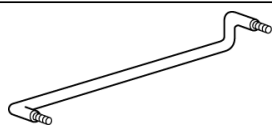

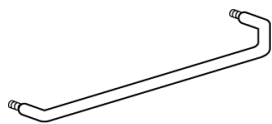

When ordering replacement(s), please use part number(s) shown in this parts list.

Do not use description the part.

Important safety notice:

Components identified by \triangle mark have special characteristics important for safety.

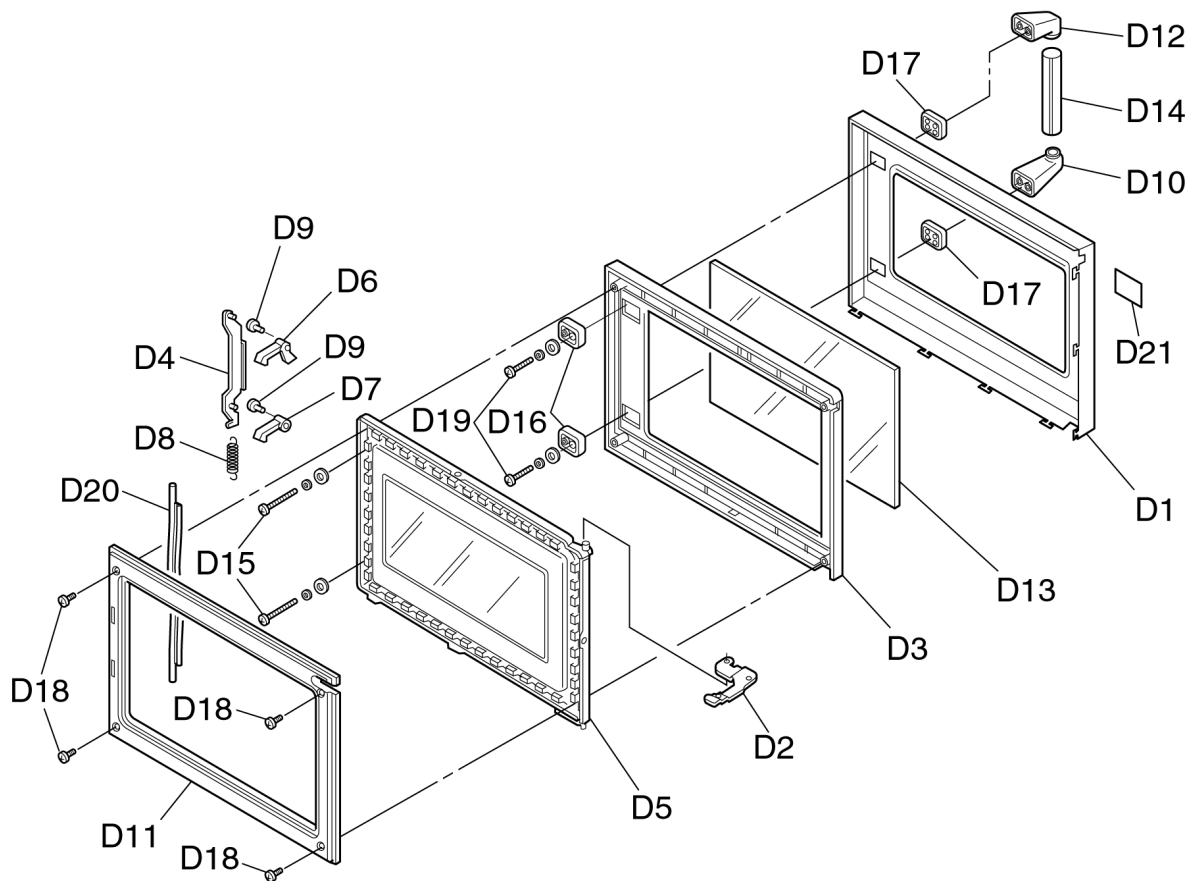
When replacing any of these components, use only manufacturer's specified parts.

Ref. No.	Part No.	Part Name & Description	Pcs/set	Remarks
1	A100D3840AP	CABINET BODY	1	
2	A00064080BP	CAUTION LABEL	1	NE-C1275BPQ
3	ANE0072L20AP	OVEN LAMP CAUTION LABEL	1	
3	ANE0072Z70GP	OVEN LAMP CAUTION LABEL	1	
4	A010T3C50BP	SHELF	1	
5	ANE02396000BP	CORD LABEL	1	
6	A400B3840AP	FILTOR	2	
7	ANE0911000CC	CUSHION RUBBER B	2	
8	ANE0911000DF	CUSHION RUBBER B	2	
9	ANE0928000AS	CUSHION RUBBER B	1	
10	ANE000Z000AA	CUSHION RUBBER C	7	
11	ANE000Z000AD	CUSHION RUBBER C	1	
12	ANE0922000EF	CUSHION RUBBER C	1	
13	ANE0922000EH	CUSHION RUBBER C	1	
14	ANE0922000FJ	CUSHION RUBBER C	1	
15	ANE0922000JQ	CUSHION RUBBER C	1	
16	ANE000Z000AB	CUSHION RUBBER C	8	
17	ANE0924000AJ	CUSHION RUBBER C	1	
18	ANE0926000CE	CUSHION RUBBER	2	
19	ANE0927000BK	CUSHION RUBBER	1	
20	A100A-3B40	BASE	1	
21	A100L3230BP	BACK PANEL COVER	1	
22	A100Q3230BP	BACK PANEL	1	
23	A1007-3280	RUBBER FOOT A	4	
24	A1008-3280	RUBBER FOOT	4	
25	A10263030GP	OVEN LAMP COVER (U)	1	
26	ANE10288U0AP	ANTENNA MOTOR COVER	1	
27	A10473230BP	LOWER SASH	1	
28	A1183-3810	BACK PANEL	1	
29	A18073C50BP	RAIL(RIGHT) NEW	2	
29	A33013C50BPS	RAIL(RIGHT) OLD	2	
30	A18083C50BP	RAIL(LEFT) NEW	2	
30	A33023C50BPS	RAIL(LEFT) OLD	2	
31	A18593C50BP	SHELF SUPPORT	4	
32	A200A3C50BP	OVEN CAVITY	1	
33	A20194210AQ	ANTENNA STOPPER	4	
34	A202J3230BP	ANTENNA SHAFT	1	
35	A202K3230BP	ANTENNA (U)	1	
36	A202L3881BP	REFLECTION PLATE	4	
37	A203M3230BP	CIRCULATION FAN CASE	1	
38	A20853230BP	DOOR HOOK MOUNTING A	1	
39	A22363230BP	RIGHT HEATER PANEL	1	
40	A22373230BP	LEFT HEATER PANEL	1	
41	A22392020AP	CIRCULATION FAN	1	
42	A22413230BP	BACK HEATER PANEL	1	
43	A22423230BP	ADIABATIC MATERIAL A	1	
44	A22433230BP	ADIABATIC MATERIALB	1	

Ref. No.	Part No.	Part Name & Description	Pcs/set	Remarks
45	A22583230BP	ADIABATIC MATERIAL C	1	
46	A22593230BP	ADIABATIC MATERIAL D	1	
47	A22603230BP	ADIABATIC MATERIAL E	1	
48	A22613230BP	ADIABATIC MATERIAL F	1	
49	A22773230BP	LOWER HEATER PANEL	1	
50	A22783230BP	UPPER HEATER PANEL	1	
51	A23793230BP	ADIABATIC MATERIAL G	1	
52	A23853230BP	ADIABATIC MATERIAL H	2	
53	A301L3230BP	HINGE	1	
54	A30203230GP	DOOR HOOK	1	
55	A3136-3470	HOOK SPACER A	1	
56	A3137-3850	HOOK SPACER B	1	
57	A3138-3470	HOOK SPACERC	1	
58	ANE32398U0AP	LEVER SPRING A	1	
59	ANE32628U0AP	LEVER SPRING B	3	
60	A400A3230BP	FAN MOTOR	1	△ (85W)
61	A400E3230BP	AIR GUIDE A	1	
62	A400K3230BP	EXHAUST GUIDE	1	
63	A400T3230BP	AIR GUIDE D	1	
64	A402A3230BP	AIR GUIDE E	1	
65	A40213230BP	FAN CASE COVER	1	
66	A40313230BP	AIR GUIDE C	1	
67	A41573230BP	FAN BRACKET A	1	
68	A41592020AP	FAN	1	
69	A41613230BP	FAN SPACER A	1	
70	A41622020AP	FAN SPACER B	1	
71	A41632020AP	FAN SPACER C	1	
72	A41793230BP	HEATER FAN MOTOR	1	34W
73	A41806000BP	HEATER FAN MOTOR BRACKET	1	
74	A42123230BP	AIR GUIDE I	1	
75	A42563230BP	AIR GUIDE J	1	
76	A441Y3230BP	EXHAUST COVER	2	
77	XTWANE3+10EX	SCREW	4	3×10 THERMISTOR
78	ANE6030Q50GN	INCANDESCENT LAMP	1	
79	A60373230BP	CAPACITOR BRACKET	2	
80	A605S3030GP	PC BOARD H (U)	1	
81	A605Y3880BP	OVEN TEMP SENSOR	1	
82	A610A3230BP	SAFETY SWITCH A	1	△ (V-16G-3E6)
83	A61413230BP	LATCH SWITCH A	1	△ (V-15G-3C26)
84	ANE61448V0AP	ANTENNA MOTOR	1	△ (3W)
85	A61455850GP	THERMAL CUTOUT	2	△ FOR MAGNETRON
86	A61523230BP	SOCKET	1	△
87	A61983230BP	MOTOR BRACKET	1	
88	A620X3230BP	CHANGE-OVER SWITCH	1	△ (V-15G-1E5-M)
89	A6202-3X2	DIODE.SI, 0.35A	2	
90	J621B3C50BP	H.V.TRANSFORMER	2	△ 1.4kVA NE-C1275BPQ
90	J621B3C60EU	H.V.TRANSFORMER	2	△ 1.4kVA NE-C1475EUG
91	A62193230BP	INSULATION COVER	1	
92	ANE6230P10GN	FUSE	1	△ 16A
93	A62383230GP	SPACER	3	
94	A630G3C50BP	HEATER A (U)	4	△ NE-C1275BPQ
94	A630G3C60EU	HEATER A (U)	4	△ NE-C1475EUG
96	A63023230BP	INSULATION COVER B	2	for HVT
97	A631U3C50BP	HEATER E	2	
98	A6408-2050	WASHER	1	
99	A64173230BP	HEATER SUPPORT A	2	
100	A6437-1600	GLASS PLATE	1	
101	A64643230BP	HEATER SUPPORT B	2	
102	A65533230BP	HEATER BRACKET	2	
103	A6145-1E30	THERMAL CUTOUT B	1	△ CIRCULATION FAN CASE
104	A65953170GP	FUSE B	1	△ 1.25A
105	A05423230BP	CAUTION LABEL	1	
106	A692Y3C60EU	NOISE FILTER	1	△
107	A901A3230BP	AC CORD W/PLDG	1	△ NE-C1275 BPQ
107	A901A3230GP	AC CORD W/PLDG		△ NE-C1475 EUG
108	XWANE65GV	SPACER	1	NE-C1457 EUG
109	A31454740AP	DOOR SCREEN A		CABINET
110	ANE9080-730	CLIP	1	(YELLOW)
111	ANE9107A20GN	CORD HOLDER	1	
112	A97213230BP	BRACKET A	1	
113	A97223230BP	BRACKET B	1	
114	A97233230BP	BRACKET C	1	
115	A98243230BP	GLASS PLATE BRACKET	1	
116	AESMTG35C60	TRIAC	1	600V 30A

Ref. No.	Part No.	Part Name & Description	Pcs/set	Remarks
117	MS212854KW91	H.V.CAPACITOR	2	△ NE-C1275 BPQ 0.85MF
117	MS212105KW91	H.V.CAPACITOR	2	△ NE-C1475 EUG 1.0MF
118	XNG4EVSL	NUT, COUNTER CLOCKWISE	1	HEATER FAN MOTOR M4 SUS
119	XNW5EFN	NUT	5	SHELF SUPPORT SPACER
120	XST4+6VS	SCREW	1	(4×6) LAMP GLASS PLATE
121	XTC4+10BC	SCREW	6	(4×10) CABINET BODY
122	XTC4+10FC	SCREW	1	(4×10) OVEN LAMP COVER
123	XTEA5+E10FJ	SCREW	4	(5×10) H.V. TRANSFORMER
124	XTTANE4+B10S	SCREW	4	(4×10) CIRCULATION FAN CASE
125	XTT4+12BVKJ	SCREW (BLACK)	6	(4×12) BASE
126	XTWANE4+10RUJ	SCREW	8	(4×10) MAGNETRON
127	XUEANE32KP	RING	1	HEATER FAN MOTOR
128	XWA4BV	WASHER	1	HEATER FAN MOTOR
129	XWC4BPN	WASHER	1	OVEN LAMP COVER
130	XWG4BV	WASHER	1	HEATER FAN MOTOR
131	XTEANE3+6BJ	SCREW	4	3×6 THERMAL CUTOUT
132	A2387-3810	ADIABATIC MATERIAL J	1	
133	XYCA4+EE8J	SCREW	6	(4×8) CAPACITOR BRACKET FAN MOTOR DIODE WASHER
134	XYC4+F16XN	SCREW	4	(4×16) HEATER SUPPORT
135	XYD4+EE12FJ	SCREW	2	(4×12) EARTH
136	XYE6+F20FJ	SCREW	1	(6×20) EARTH
137	XYN4+J10FN	SCREW	2	(4×10) TRIAC
138	2M167B-M14J1	MAGNETRON	2	△
139	A41636000BP	FAN SPACER C	1	
140	A66623170GP	EARTH SPACER	1	NE-C1475 EUG
141	XSWA5+10UJ	SCREW	4	(5×10) HINGE
142	A20343840AP	OVEN BRACKET	1	
143	A62443230BP	HEAT SINK	1	
144	ANE092E000BK	CUSHION RUBBER	1	
145	ANE90828U0AP	CLIP	2	
146	A40923030GP	FILTOR HANDLE	2	
147	ANE42408U0AP	FILTOR HANDLE B	2	

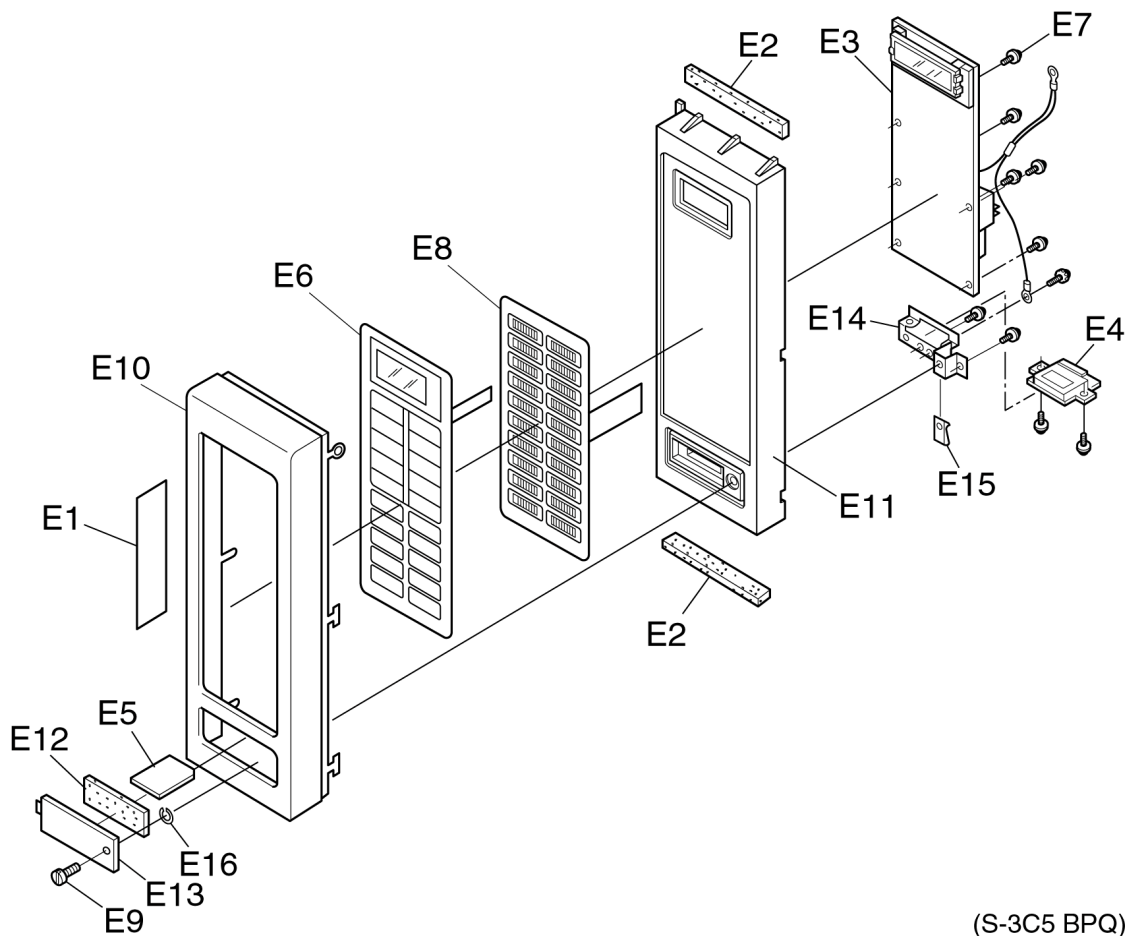
13 DOOR ASSEMBLY



(S-3C5 BPQ)

Ref. No.	Part No.	Part Name & Description	Pcs/Set	Remarks
D1	A300A3230BP	DOOR B	1	
D2	A300B3230BP	UPPER HINGE	1	
D3	A30013C50BP	DOOR A (U)	1	
D4	A301H-3850	DOOR KEY LEVER B	1	
D5	A302K3230BP	DOOR E (U)	1	W/DOOR SCREEN A
D6	A30183230BP	DOOR KEY A	1	
D7	A30193230BP	DOOR KEY B	1	
D8	ANE30218U0AP	DOOR KEY SPRING	1	
D9	ANE30562Q0AP	HANDLE PIN	2	
D10	ANE3070P60AP	HANDLE PEICE A	1	
D11	A30853C50BP	DOOR C	1	
D12	ANE3134P60AP	HANDLE PIECE B	1	
D13	A31463230BP	DOOR SCREEN B (U)	1	
D14	A31473230BP	HANDLE PIECE C	1	
D15	XYN4+J30FN	SCREW	2	4×30
D16	A32133230BP	DOOR HANDLE SPACER	2	
D17	A32163230BP	HANDLE SPACER	2	
D18	XTBANE4+12FKJ	SCREW	4	4×12 BLACK
D19	XYN4+F25FN	SCREW	2	4×25
D20	A33343C50BP	DOOR GASKET RUBBER	1	
D21	A31863C50BP	DOOR PANEL	1	NE-C1275 BPQ
D21	A31863C60EU	DOOR PANEL	1	NE-C1475 EUG

14 ESCUTCHEON BASE ASSEMBLY

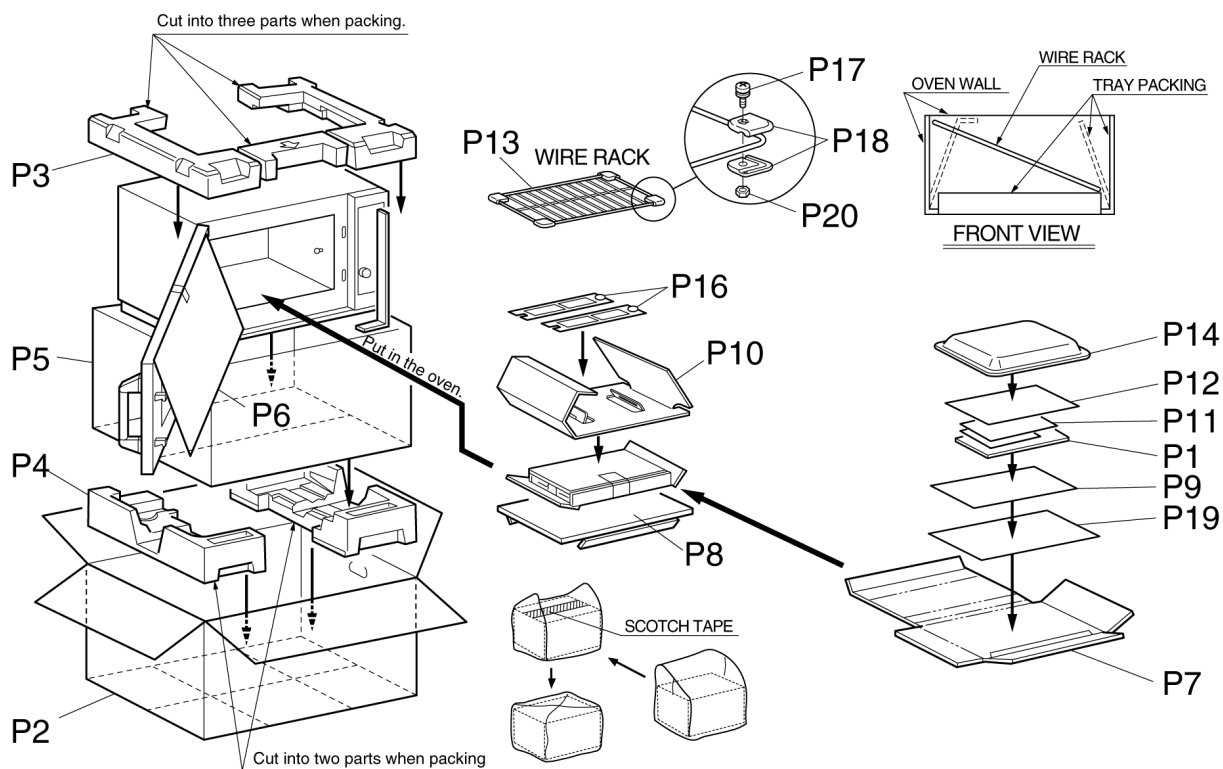


(S-3C5 BPQ)

Ref. No.	Part No.	Part Name & Description	Pcs/Set	Remarks
E1	A01573C50BP	NAME LABEL	1	NE-C1275BPQ
E1	A01573C60EU	NAME LABEL	1	NE-C1475EUG
E2	ANE0962000AH	CUSHION RUBBER D	2	
E3	A603L3C50BP	D.P.CIRCUIT (U)	1	△ NE-1275 BPQ RTL (W/COMPONENT)
E3	A603L3C50EU	D.P.CIRCUIT (U)	1	△ NE-1475 EUG RTL (W/COMPONENT)
E4	A605Q3C50BP	PC BOARD F (U)	1	SD CARD SLOT
E5	RP-SD016BCS0	SD MEMORY CARD	1	W/MEMORY WROTE
E6	A83373C50BP	ESCUTCHEON SHEET	1	
E7	XTW3+10BJ	SCREW	8	3×8
E8	A64793C50BP	MEMBRANE SWITCH	1	△
E9	A4898-3B40	SCREW	1	SD SLOT COVER
E10	A800N-3B40	ESCUTCHEON A	1	NOTE 1
E11	A80343C50BP	ESCUTCHEON BASE	1	
E12	ANE0962000DE	CUSHION RUBBER D	1	
E13	A80023C50BP	ESCUTCHEON B	1	SD SLOT COVER
E14	A8032-3B40	SD BRACKET	1	
E15	A8265-3B40	PUSH LOCK	1	
E16	A6408-3280	WASHER	1	

NOTE 1: Please order name label together.

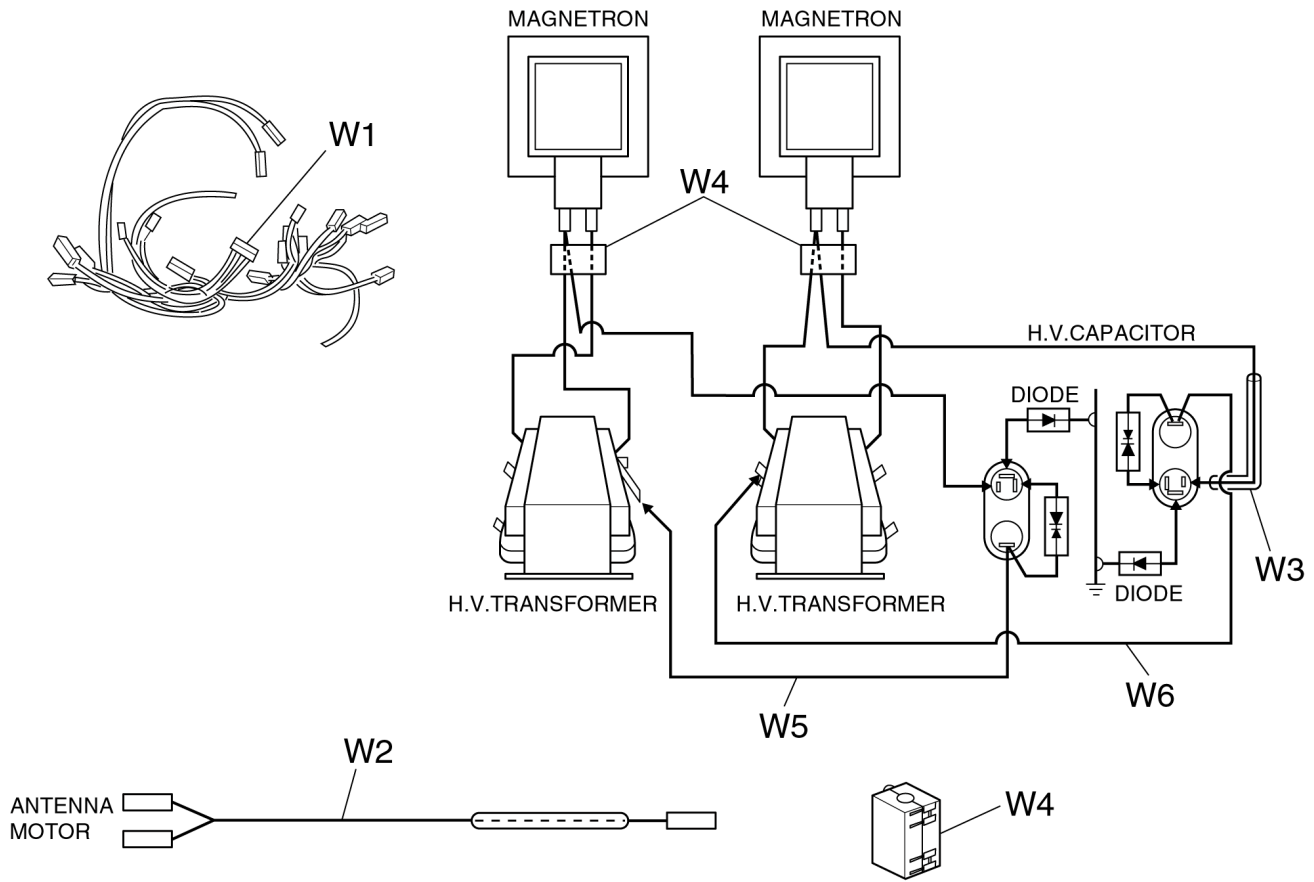
15 PACKING AND ACCESSORIES



(S-3C5 BPQ)

Ref. No.	Part No.	Part Name & Description	Pcs/Set	Remarks
P1	A00033C50BP	INSTRUCTION BOOK	1	NE-C1275BPQ
P1	A00033C60EU	INSTRUCTION BOOK	1	NE-C1475EUG
P2	A01023C50BP	PACKING CASE, PAPER	1	NE-C1275BPQ
P2	A01023C60EU	PACKING CASE, PAPER	1	NE-C1475EUG
P3	A01043840AP	UPPER FILLER	1	
P4	A01053840AP	LOWER FILLER	1	
P5	A01065130AP	VINYL COVER	1	
P6	ANE0107580AP	DOOR SHEET	1	
P7	A01083C50BP	TRAY PACKING A	1	
P8	A01173230BP	TRAY PACKING B	1	
P9	A01453230BP	DOOR SHEET B	1	
P10	A01173C50BP	TRAY PACKING B	1	
P11	A04243C60EU	INSTRUCTION BOOK B	1	NE-C1475EUG
P12	A04203C50BP	OPERATING GUIDE	1	NE-C1275BPQ
P12	A04203C60EU	OPERATING GUIDE	1	NE-C1475EUG
P13	A06023C50BPS	WIRE RACK SHELF (U)	1	
P14	A06033230GP	CERAMIC INSULATING TRAY	1	△
P15	A02843560BP	NUMBER LABEL	1	
P16	A400B3840AP	FILTOR	2	
P17	XYN4+C10V	SCREW	4	FOR WIRE RACK 4×10 STAINLESS
P18	A06433C50BP	WIRE RACK FOOT	8	
P19	ANE01072Q10AP	DOOR SHEET	1	
P20	XNG4V	NUT	4	M4 STAINLESS

16 WIRING MATERIAL



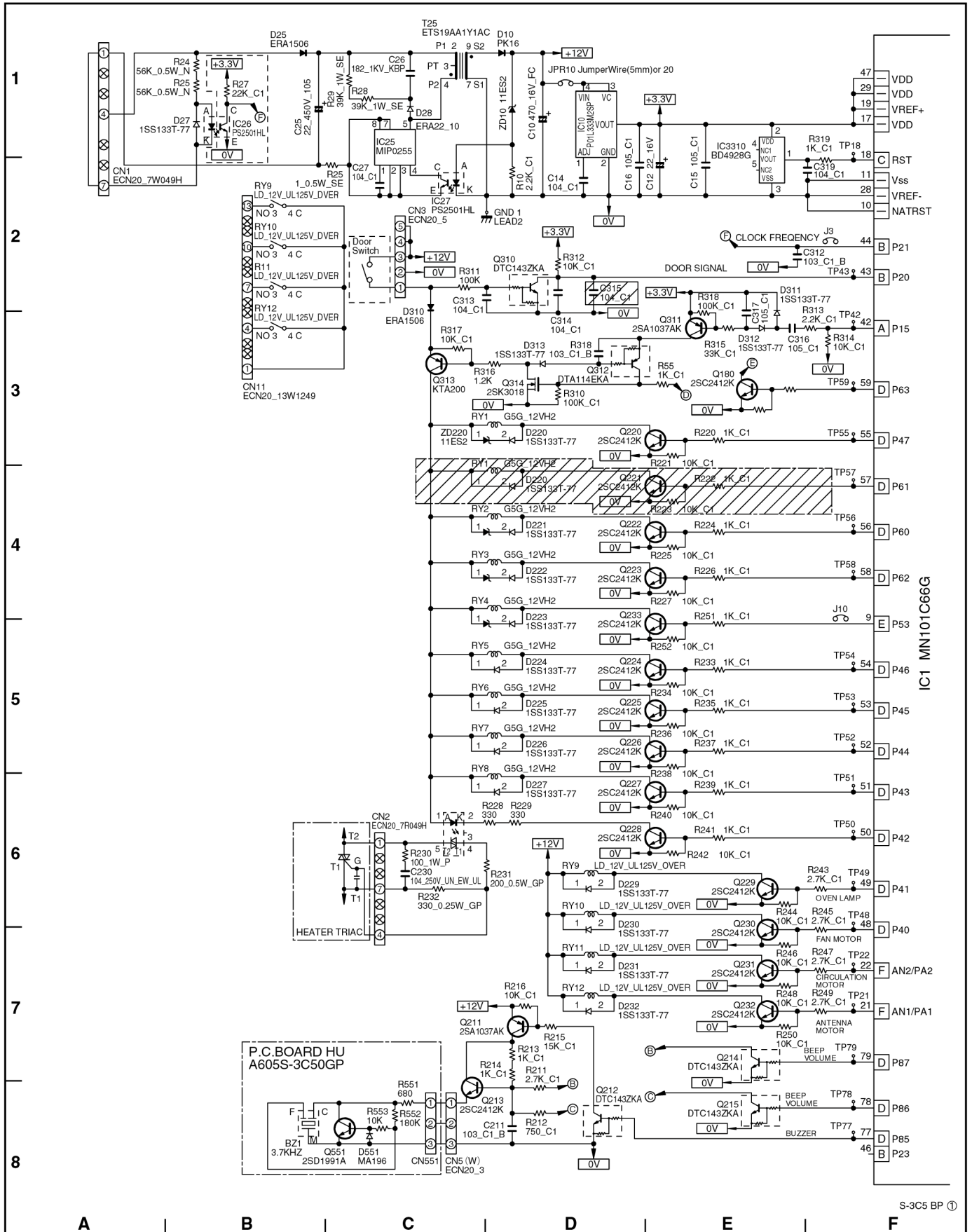
(S-3C5 BPQ)

Ref. No.	Part No.	Part Name & Description	Pcs/Set	Remarks
W1	A030A3C50BP	LEAD WIRE HARNESS	1	
W2	A03603C50BP	LEAD WIRE	1	
W3	A61393230BP	INSULATION TUBE	1	
W4	A50966520UP	FERRITE CORE	2	
W5	A606V3230BP	PROTECTOR DIODE A	1	
W6	A606W3230BP	PROTECTOR DIODE B	1	

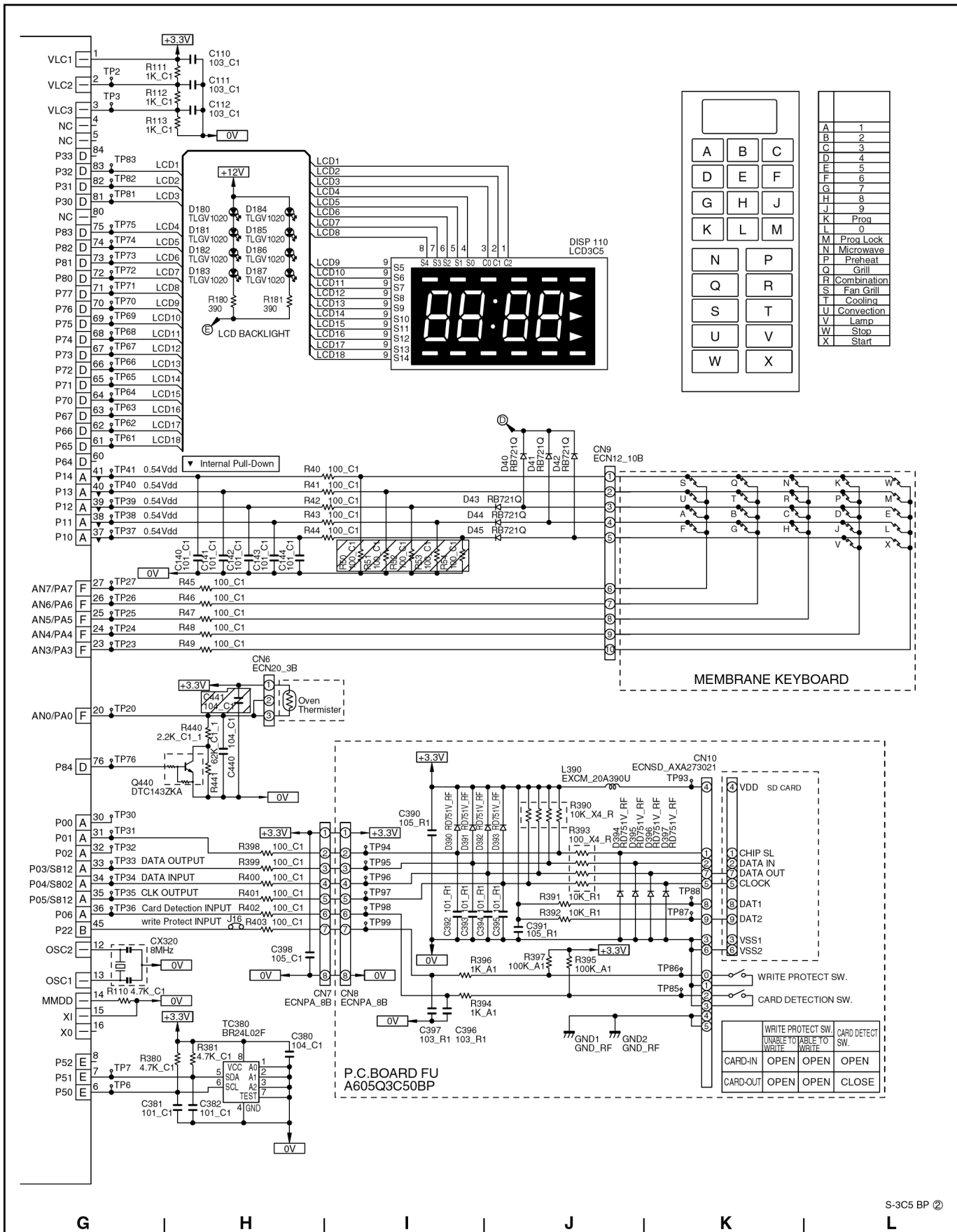
Ref. No.	Part No.	Part Name & Description	Pcs/Set	Remarks
REF.NO.80 P.C.BOARD H BUZZER PCB A605S3030GP				
BZ	EFBRL37C20	BUZZER	1	3.7KHZ
CN551	K1KA03B00171	CONNECTOR	1	3 PIN RED AEEMMB00703R
D551	MA2C19600E	DIODE.SI, 0.1A	1	MA196-(TA5)
Q551	2SD06390Q	TRANSISTOR, SI, 0.6W	1	2SD639-PQRS
R551	ERDS2TJ681T	CARBON FILM RESISTOR	1	680Ω, 1/4W 5%
R552	ERDS2TJ184T	CARBON FILM RESISTOR	1	180KΩ, 1/4W 5%
R553	ERDS2TJ103T	CARBON FILM RESISTOR	1	10KΩ, 1/4W 5%
REF.NO.106 NOISE FILTER (U) A692Y3C60EU				
C1	ECQU2A105MLA	POLYESTER CAPACITOR	1	1.0MF 250V
C2, 3	ECQU2A472MLA	POLYESTER CAPACITOR	2	△ 0.0047MF 250V
C4	ECQU2A684MLA	POLYESTER CAPACITOR	1	0.68MF 250V
CN1	K1KA03A00299	CONNECTOR	1	3 PIN AEEMMD00703W
F2	A62316000GP	FUSE HOLDER	2	
F1	A62316010BP	FUSE HOLDER	2	
L1	G0B901N00002	FILTOR COIL	1	A621A-1810
R1	ERF15ZXJ240	RESISTOR	1	24Ω, 15W, 5%
ZNR1	ERZV10D511CS	VARISTOR	1	
ZNR2_3	ERZV10D112C1	VARISTOR	2	
R2	ERDS1FJ244P	RESISTOR	1	240RΩ, 1/2W, 5%

17 DIGITAL PROGRAMMER CIRCUIT

SCHEMATIC DIAGRAM



S-3C5 BP ①



S-3C5 BP ②

18 DIGITAL PROGRAMMER CIRCUIT

PARTS LIST

Ref. No.	Part No.	Description	Pcs/Set	Remarks
DISP110	A66173C50BP	Display holder	1	
D27, D220, D222, D223, D224, D225, D226, D227, D229, D230, D231, D232, D233, D311, D312, D313	B0AACK000004	Diode, Si 0.1A	16	AESS133T-77
ZD10, ZD220, ZD221, ZD222, ZD223	B0BA01000049	Zenner Diode	5	MTZJ11BT77
D28	B0EAEV000001	Diode Si, 0.5A	1	ERA2210
D26, D310	B0EAKR000018	Diode Si, 1A	2	ERA1506
D40, D41, D42, D43, D44, D45	B0JAAE000001	Diode, Si, 0.1A	6	RB721Q
R24, R26	ERDS1FJ563T	Carbon Film Resistor	2	56K, 1/2W, 5%
R311	ERDS2TJ104T	Carbon Film Resistor	1	100K Ω , 1/4W, 5%
R316	ERDS2TJ122T	Carbon Film Resistor	1	1.2K Ω , 1/4W, 5%
R228, R229	ERDS2TJ331T	Carbon Film Resistor	2	330 Ω , 1/4W, 5%
R180, R181	ERDS2TJ471T	Carbon Film Resistor	2	470 Ω , 1/4W, 5%
Q313	B1ACGF000004	Transistor, Si, 0.6W	1	KTA200-Y-AT/P
C12	ECEA1CKA220B	Electric Capacitor, Al	1	22MF/16V
C26	ECKN3A222KBP	Ceramic Capacitor	1	0.0022MF/1KV
C10	EEUFC1C471B	Electric Capacitor, Al	1	470MF/16V/FC
CX320	EF0EC8004T4	Resonator	1	8000A
R28, R29	ERG1SJ393E	Metal Oxide Resistor	2	39K Ω , 1W, 5%
R25	ERX12SJ1R0E	Metal Oxide Resistor	1	1 Ω , 1/2W, 5%
CN6	K1KA03A00387	Connector	1	Red 3 pin, AEEMMF00703R
CN5	K1KA03AA0086	Connector	1	White 3 pin, B03B-XASS-1-T(LF) (SN)
CN3	K1KA05A00237	Connector	1	White 5 pin, AEEMMF01F05W
Q180, Q213, Q220, Q222, Q223, Q224, Q225, Q226, Q227, Q228, Q229, Q230, Q231, Q232, Q233	B1ABCF000010	Chip Transistor, Si, 0.2W	15	2SC2412KT146
Q211, Q311	B1ADCF000001	Chip Transistor, Si, 0.2W	2	2SA1037AKT
Q314	B1CBGD000001	Chip Transistor, Si, 0.2W	1	2SK3018T106
Q214, Q215, Q212, Q310, Q440	B1GBCFGN0001	Chip Transistor, Si, 0.3W	5	AESC43ZKE
Q312	B1GDCFJJ0002	Chip Transistor, Si, 0.3W	1	AESA14EKE
D180, D181, D182, D183, D184, D185, D186, D187	B3ABB0000239	Chip LED	8	TLGV1022 (T14MAT5, F)
IC10	C0CBCBD00043	IC	1	PQ1L333M2SPQ
IC310	C0EBE0000447	IC	1	BD4928G, AEICBD4928G
IC380	C3EBDC000063	IC	1	BR24L02F-WE2
R40, R41, R42, R43, R44, R45, R46, R47, R48, R49, R398, R399, R400, R401, R402, R403	D0GB101JA002	Chip Resistor	16	100 Ω , 1/16W, 5%, AERJ3GSYJ101
R55, R111, R112, R113, R213, R214, R220, R224, R226, R251, R319	D0GB102JA002	Chip Resistor	11	1K, 1/16W, 5%, AERJ3GSYJ102
R183, R216, R221, R225, R227, R234, R236, R238, R240, R242, R244, R246, R248, R250, R252, R312, R314, R317	D0GB103JA002	Chip Resistor	18	10K, 1/16W, 5%, AERJ3GSYJ103
R310, R318	D0GB104JA002	Chip Resistor	2	100K Ω , 1/16W, 5%, AERJ3GSYJ104
R215	D0GB153JA002	Chip Resistor	1	15K, 1/16W, 5%, AERJ3GSYJ153

R10, R182, R313, R381	D0GB222JA002	Chip Resistor	4	2.2K, 1/16W, 5%, AERJ3GSYJ222
R27	D0GB223JA002	Chip Resistor	1	22K, 1/16, 5%, AERJ3GSYJ223
R211, R233, R235, R237, R239, R241, R243, R245, R247, R249	D0GB272JA002	Chip Resistor	10	2.7K Ω , 1/16W5%, AERJ3GSYJ272
R315	D0GB333JA002	Chip Resistor	1	33K, 1/16W, 5%, AERJ3GSYJ333
R110, R380	D0GB472JA002	Chip Resistor	2	4.7K, 1/16W, 5%, AERJ3GSYJ472
R212	D0GB751JA002	Chip Resistor	1	750 Ω , 1/16W, 5%, AERJ3GSYJ751
R440	D1BB2201A001	Chip Resistor	1	2.2K Ω , 1/16W, 1%, AERJ3EKF2201
R441	D1BB8202A001	Chip Resistor	1	82K Ω , 1/16W1%, AERJ3EKF8202
C15, C16, C316, C317, C398	F1H1A105A019	Chip Capacitor	5	1MF/10V, AECU1F105Z10
C14, C27, C313, C314, C319, C380, C440	F1H1E104A030	Chip Capacitor	7	0.1MF/25V, AECU1F104Z25
C40, C41, C42, C43, C44, C381, C382	F1H1H1010005	Chip Capacitor	7	0.0001MF/50V, AECU1C101J50
C110, C111, C112, C211, C312, C318	F1H1H103A220	Chip Capacitor	6	0.01MF/50V, AECU1F103Z50
IC1	MN101C66GDB1	LSI	1	MEC/MN101C66G
DISP110	A67523C50BP	Display sheet	1	
D10	B0JAMK000017	Diode, Si, 1.5A	1	AESSRK19
IC26, IC27	B3PAA0000387	IC	2	AEICP25011HL
IC230	B3PAC0000128	Photo Coupler IC	1	TLP665J(D4, S)
C25	ECA2WHG220E	Electric Capacitor, Al	1	22MF/450V/105C
C230	ECQU2A104MNA	MP Capacitor	1	0.1MF, 250V
R230	ERG1SJ101P	Metal Oxide Resistor	1	100 Ω , 1W 5%
R231	ERQ12AJ201P	Fuse Resistor	1	200 Ω , 1/2W, 5%
R232	ERQ14AJ331P	Fuse Resistor	1	330 Ω , 1/4W, 5%
T25	ETS19AA2B1AC	Switching Transasformer	1	MACO
CN1	K1KA03AA0134	Connector	1	White 7(3) pin, B3(7.5)B-XASK-1-A(LF)(SN)
CN2	K1KA03AA0135	Connector	1	Red 7(3) pin, B3(7.5)B-XARK-1-A(LF)(SN)
CN11	K1KA05AA0134	Connector	1	White 13(5) pin, B5(7.5)B-XASK-1-A(LF)(SN)
CN7	K1KA08AA0201	Connector	1	White 8 pin, B08B-PASK-1(LF)(SN)
CN9	K1MN10AA0040	Connector	1	10FDZ-BT-M(S)(LF)(SN)
RY9, RY10, RY11, RY12	K6B1AGA00119	Relay	4	ALD112A04J
RY1, RY2, RY3, RY4	K6B1AGA00140	Relay	4	G5G-1A
RY5, RY6, RY7, RY8	K6B1AGA00212	Relay	4	ALE73B12
DISP110	L5AAAFD00029	LCD Display	1	CG2020-TTNC
IC25	MIP0255SPSCF	IC	1	MIP0255SPSCF