

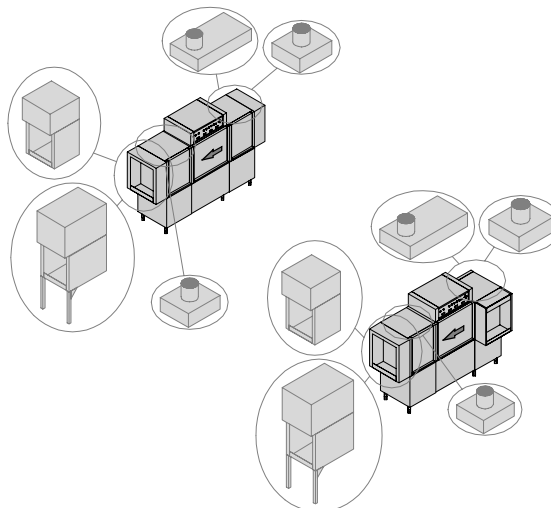
RACK CONVEYOR MACHINE

TYPE: 26

Accessories

HEAT RECOVERY - TR98
STEAM CONDENSER - LC 91
CONVEYOR SPEED ADJUSTING- LC 101
90° MOTORIZED CHAIN CONVEYOR - LC 97/2
180° MOTORIZED CHAIN CONVEYOR - LC 97/3
DRYER WITH 90° MOTORIZED CHAIN CONVEYOR - LC 97/4
DRYER WITH 180° MOTORIZED CHAIN CONVEYOR - LC 97/5
DRYER - LC 90
DRYER - LC 90/2
DRYER - LC 90/4
ADDITIONAL BOILER FOR COLD WATER SUPPLY
DVGW VALVE SYSTEM
DETERGENT ECONOMIZER SYSTEM
SPLASH ZONE WITH CILINDER - LC 94
TANKS INSULATION
DOUBLE SKIN
BOOSTER PUMP
DISPENSERS SYSTEM SDN-3
ANGLE LOADING TABLE - LC 98

Spare parts manual



S/N:

Valid from:..11/2002

Rev.: 2.0

1. Spare parts

Control Panel	7
Control Panel	9
Electric parts	11
Machine structure in modules.....	15
Machine structure in modules	17
Prewashing module 600	19
Angle prewashing module 600	21
Washing module 900	23
Rising module 600	25
Economizer components	27
Curtains group components	29
Inverter	31
Time relay	33
Heat recovery TR 98 - part 1	35
Heat recovery TR 98 - part 2	37
Heat recovery TR 98 - part 3	39

Dryer LC 90 - L C90/2 (6 - 12kW) - part 1	41
Dryer LC 90/4 (18kW) - part 1	43
Dryer LC 90 (6kW) - part 2	45
Dryer LC 90/2 (12kW) - part 2	47
Dryer LC 90/4 (18kW) - part 2	49
Dryer LC 90 - LC 90/2 - LC90/4 (6 - 12 - 18kW) - electric components	51
Motorized curve 90° - LC 97/2	53
Dryer motorized curve 90° - LC 97/4	55
Motorized curve 90° - LC 97/2: electric parts	57
Motorized curve 90° - LC 97/2: electric parts double speed - remote control	59
Motorized curve 180° - LC 97/3	61
Dryer motorized curve 180° - LC 97/5	63
Motorized curve 180° - LC 97/3: electric parts	65
Motorized curve 180° - LC 97/3: electric parts double speed - remote control	67
Steam condenser - part 1	69
Steam condenser - part 2	71
Steam condenser - part 3	73
Additional boiler components	75

Additional boiler: electrical components	77
DVGW valve	79
Motorgear components module 900 ..	81
Prewashing components 3+1	83
Prewashing components 3+2	85
Washing components 5+3.....	87
Washing components 4+3.....	89
Prerinsing components	91
Internal components prewashing module 600	93
Internal components washing module 900	95
Internal components rinsing module 600	97
Rinsing components	99
Boiler components	101
Solenoid valves components	103
Solenoid valves components	103
Solenoid valves components	105
Solenoid valves components	107
Detergent economizer system	109
Conveyor parts	111
Conveyor parts	113

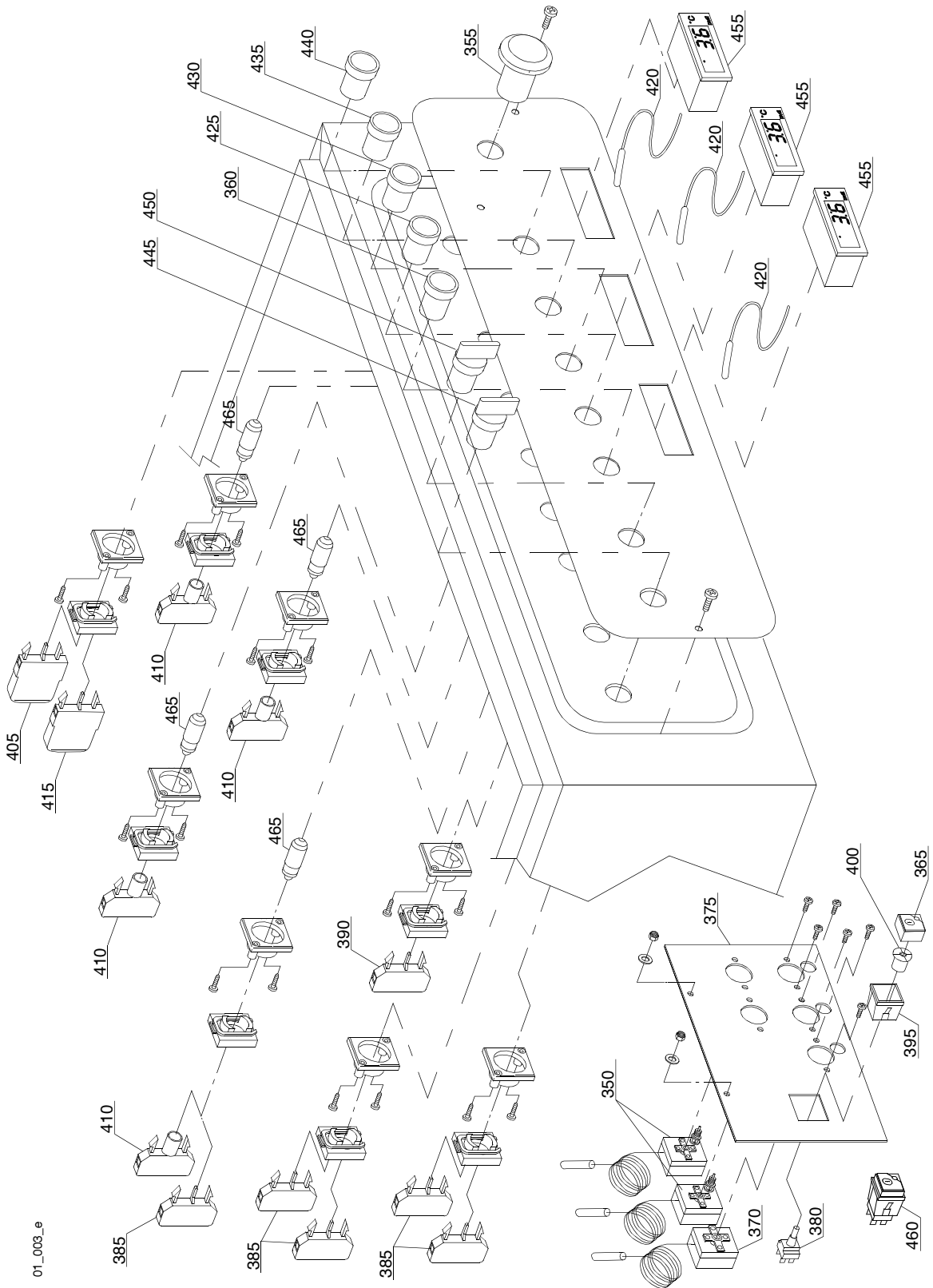
Splash zone with cilinder - LC 94	115
Tanks insulation	117
Tanks insulation	119
Double skin.....	121
Double skin.....	123
Booster pump	125
Dispensers SDN-3	127
Angle loading table 90° - LC 98	129
Baskets	131
Accessory	133

1.1 Voltage codes

Voltage code	Voltage
A	3/N/PE~400/230V 50Hz
B	~250V 16A 50Hz
C	3/N/PE~380/220V 50Hz
D	3/PE~200V 50-60Hz
F	2/PE 220-240V 50Hz
G	3/N/PE~415/240V 50Hz
H	3/PE~230V 50Hz
I	3/PE~220V 60Hz
J	3/PE~380 50Hz
K	3/PE~400V 50Hz
L	3/PE~415V 50Hz
M	3/PE~440V 60Hz
N	3/PE~460V 60Hz
O	3/PE~480V 60Hz
P	1/N/PE~220-240V 50Hz
R	2/PE~220-230V 60Hz
S	3/N/PE~400/230V 50Hz
T	3/PE~230V 60Hz

1.2 Product codes

Product code	Full name
Model codes	
Type codes	
26	26
Accessory codes	
hr	HEAT RECOVERY - TR98
sc9	STEAM CONDENSER - LC 91
csa	CONVEYOR SPEED ADJUSTING- LC 101
972	90° MOTORIZED CHAIN CONVEYOR - LC 97/2
973	180° MOTORIZED CHAIN CONVEYOR - LC 97/3
974	DRYER WITH 90° MOTORIZED CHAIN CONVEYOR - LC 97/4
975	DRYER WITH 180° MOTORIZED CHAIN CONVEYOR - LC 97/5
d9	DRYER - LC 90
d92	DRYER - LC 90/2
d94	DRYER - LC 90/4
cw	ADDITIONAL BOILER FOR COLD WATER SUPPLY
dvgw	DVGW VALVE SYSTEM
des	DETERGENT ECONOMIZER SYSTEM
szc9	SPLASH ZONE WITH CILINDER - LC 94
ti	TANKS INSULATION
ds	DOUBLE SKIN
bp	BOOSTER PUMP
sdn3	DISPENSERS SYSTEM SDN-3
98	ANGLE LOADING TABLE - LC 98

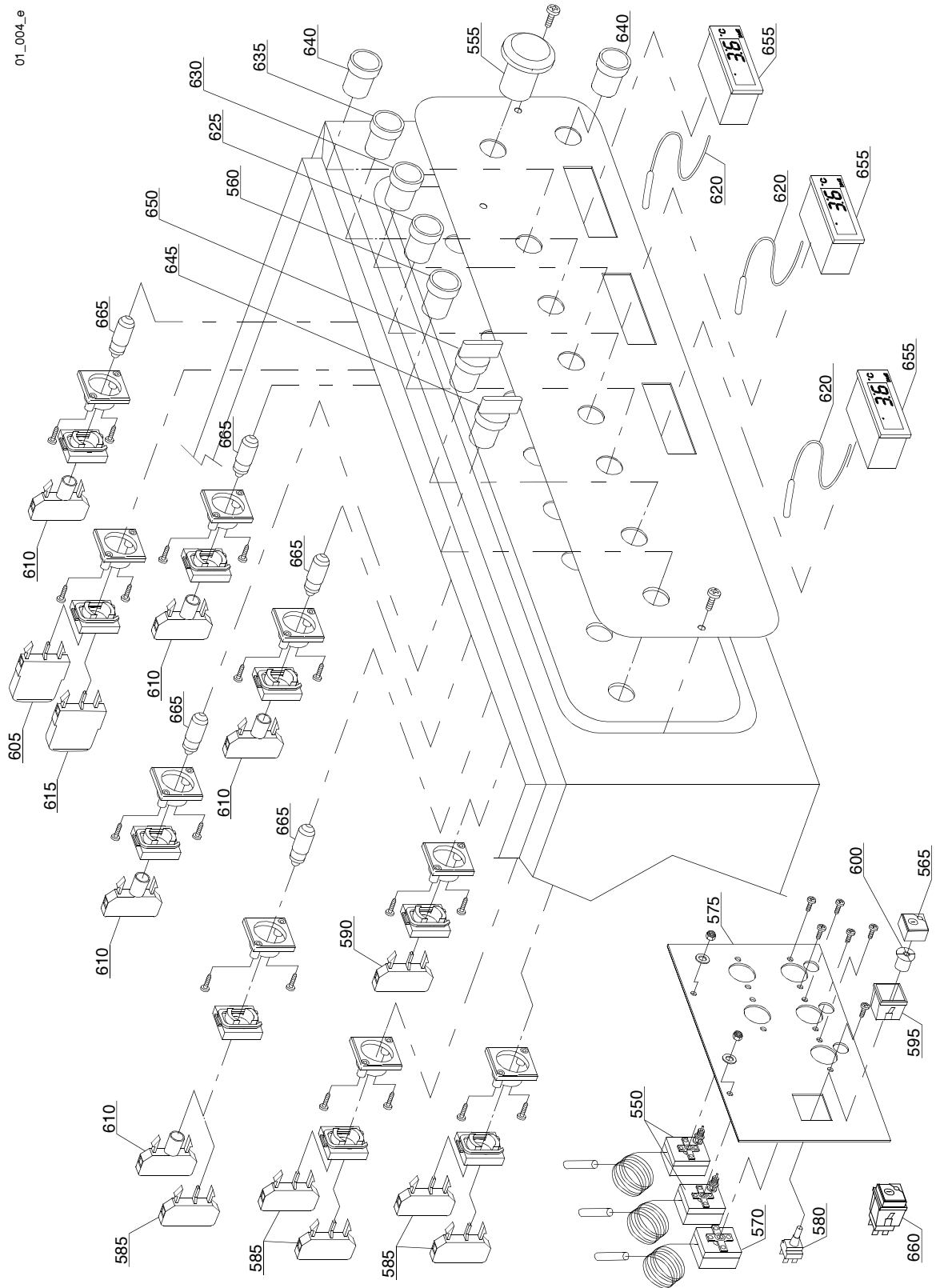


01_003_e

Spare parts

ID	P-code	Model	Type	Accessory	Voltage	Description
MODULE:Control Panel						
350	2000430		26			Safety thermostat
355	3002050		26			Emergency button
360	3002055		26			Button red
365	15874		26			Green main switch
370	10707/1		26			Thermostat 0 - 90° (TB2)
375	3009114		26			Assembly plate
380	15812		26			Starter electric component
385	3002054		26			Green contact piece (NO)
390	3002056		26			Red contact piece (NC)
395	15815		26			Support square single
400	15824		26			Green-orange cam
405	3002051		26			2NO contact (green)
410	2000234		26			Lamp holder
415	3002052		26			2NC contact (red)
420	3006121		26			Digital thermostat probe
425	2000284		26			Switch start green
430	2000230		26			Yellow pillow lamp
435	2000231		26			Red pillow lamp
440	2000232		26			Green pillow lamp
445	2000310		26			Selector
450	2000311		26			Selector
455	3006120		26			Digital thermostat
460	15849		26			Switch assembly
465	3002068		26			Lamp

01_004_e



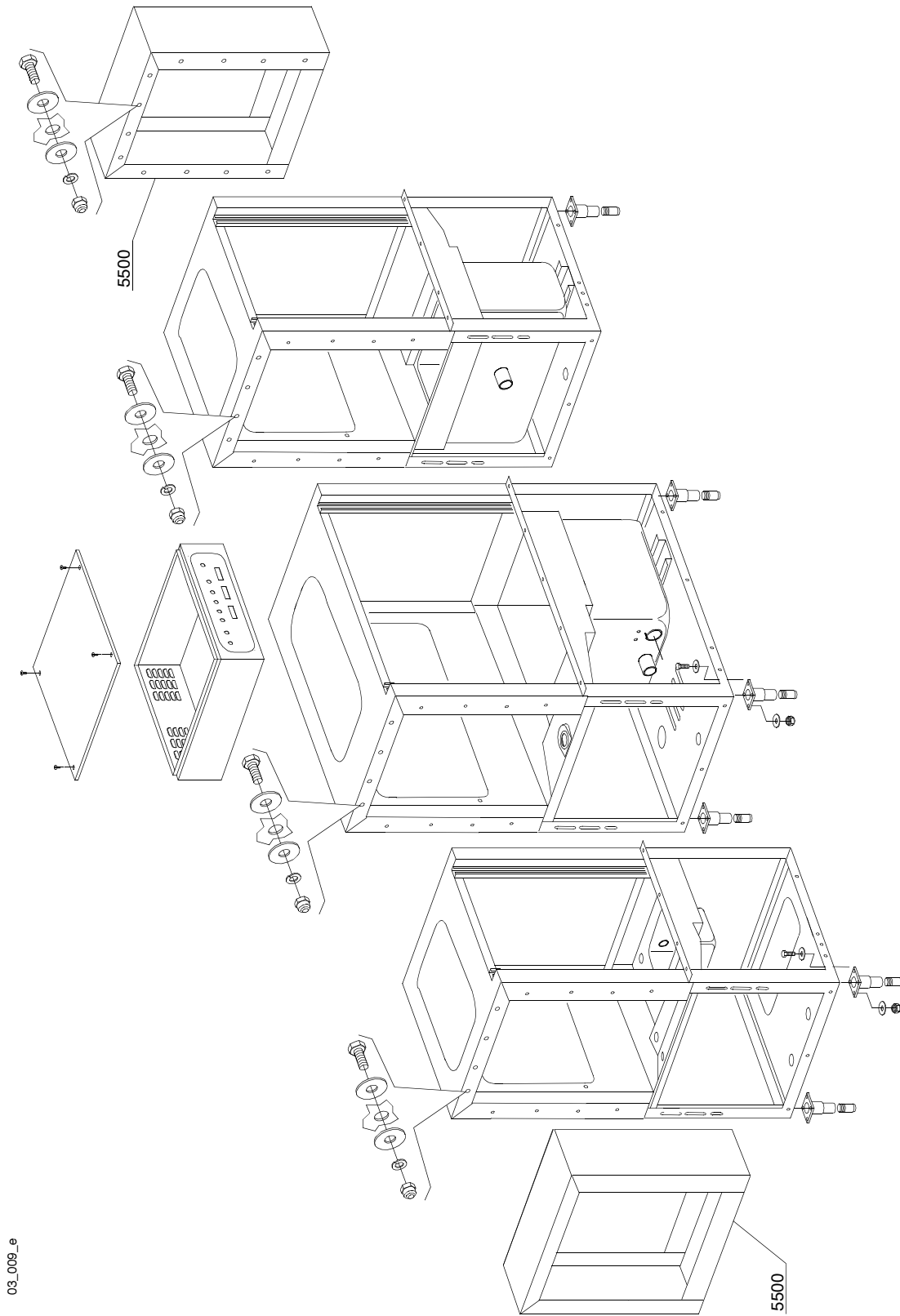
ID	P-code	Model	Type	Accessory	Voltage	Description
MODULE:Control Panel						
550	2000430		26			Safety thermostat
555	3002050		26			Emergency button
560	3002055		26			Button red
565	15874		26			Green main switch
570	10707/1		26			Thermostat 0 - 90° (TB2)
575	3009114		26			Assembly plate
580	15812		26			Starter electric component
585	3002054		26			Green contact piece (NO)
590	3002056		26			Red contact piece (NC)
595	15815		26			Support square single
600	15824		26			Green-orange cam
605	3002051		26			2NO contact (green)
610	2000234		26			Lamp holder
615	3002052		26			2NC contact (red)
620	3006121		26			Digital thermostat probe
625	2000284		26			Switch start green
630	2000230		26			Yellow pillow lamp
635	2000231		26			Red pillow lamp
640	2000232		26			Green pillow lamp
645	2000310		26			Selector
650	2000311		26			Selector
655	3006120		26			Digital thermostat
660	15849		26			Switch assembly
665	3002068		26			Lamp

Spare parts

ID	P-code	Model	Type	Accessory	Voltage	Description
MODULE:Electric parts						
2600	15160		26		A	Fuse 5x20 10A
2605	15163		26		A	Fuse 5x20 1A
2610	3006090		26		A	Clamp 35 mm
2615	3006091		26		A	Earth clamp 35 mm
2620	10300403		26		A	Clamp 6 mm
2625	3006066		26		A	Contactora
2630	3006072		26		A	Double clamp 4mm
2635	3006093		26		A	DIN guide backstop
2640	2000370		26		A	Contactora MC9
2645	2000380		26		A	Contactora BF12 (heating element < 9 kW)
2645	2000385		26		A	Contactora BF20 (heating element > 9 kW)
2650	2000385		26		A	Contactora BF20
2655	2000390		26		A	Motorprotector 1 - 1.6A
2660	2000393		26		A	Motorprotector 1,6-2,5A
2665	2000394		26		A	Motorprotector 2,5-4A
2670	2000400		26		A	Motorprotector 4-6,3A
2675	3006085		26		A	2 position electrical contactora LMS25
2675	3006086		26		A	3 position electrical contactora LMS25
2675	3006100		26		A	4 position electrical contactora LMS25
2675	3006101		26		A	5 position electrical contactora LMS25
2680	3006087		26		A	Clamp
2685	2000403		26		A	Automatic fuse C20 (heating element < 9 kW)
2685	2000404		26		A	Automatic fuse C25 (heating element > 9 kW)
2690	2000403		26		A	Automatic fuse C20 (heating element < 9 kW)
2690	2000404		26		A	Automatic fuse C25 (heating element > 9 kW)
2695	3006061		26		A	Transformer 200VA
2700	3006078		26		A	Relay
2705	3006079		26		A	Base for relay
2710	3006080		26		A	Auxiliary contact LMS25
2715	3006147		26		A	Fuse holder
2720	3009197		26		A	Control panel cover
2720	3009652		26		A	Control panel cover
2725	3009146		26		A	Electric parts pannel
2730	3009145		26		A	Comand parts pannel
2735	3019030		26		A	Control panel case
2735	3009654		26		A	Control panel case
2740	3006092		26		A	Clamp 4mm
2745	80419		26		A	Cable-fastener PG29
2750	80420		26		A	Lock nut
2755	80421		26		A	Plug PG29
2760	3006144		26		A	Fuse holder covering plate
2765	3006071		26		A	Double clamp covering plate 4mm
2770	3006083		26		A	Clamp covering plate 4mm
2775	3006084		26		A	Clamp covering plate 35mm

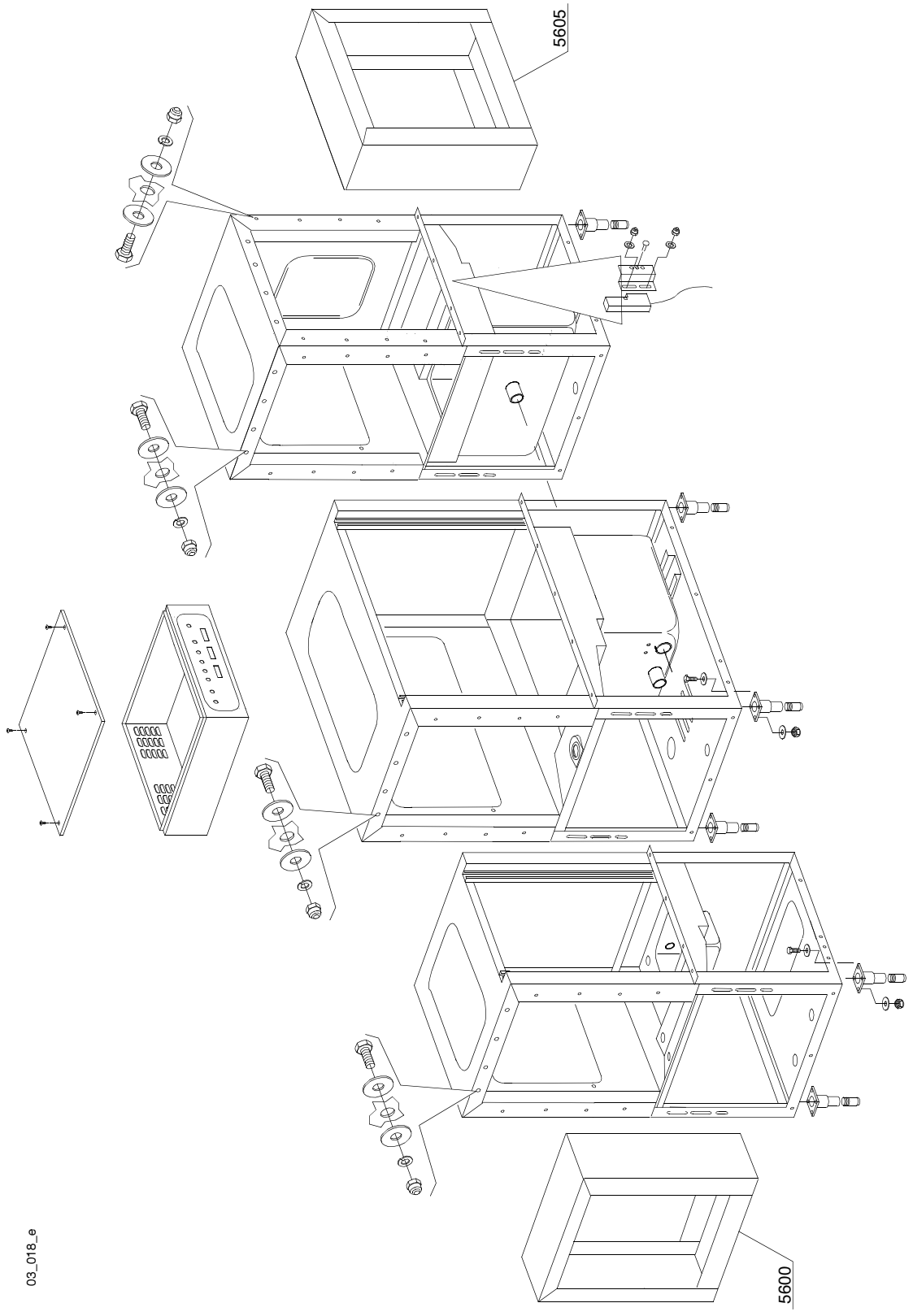
Spare parts

ID	P-code	Model	Type	Accessory	Voltage	Description
2780	3006068		26		A	MC9 auxiliary contact 1NO-1NC
2780	3002057		26		A	MC9 auxiliary contact 2NO
2780	3002052		26		A	MC9 auxiliary contact 2NC
2785	3006067		26		A	DIN guide support
2790	3006161		26		A	Electrical bonding bar
2795	3006162		26		A	Insulators
2800	3006163		26		A	Connection bar
2805	3006153		26		A	Mechanical lock safety
2810	3006160		26		A	Feed clamp 35mm
2815	3006090		26		A	Clamp 35mm (Imax<90A)
2815	3006108		26		A	Clamp 70mm (Imax>90A)



Spare parts

ID	P-code	Model	Type	Accessory	Voltage	Description
MODULE:Machine structure in modules						
5500	3019021		26			Splash zone

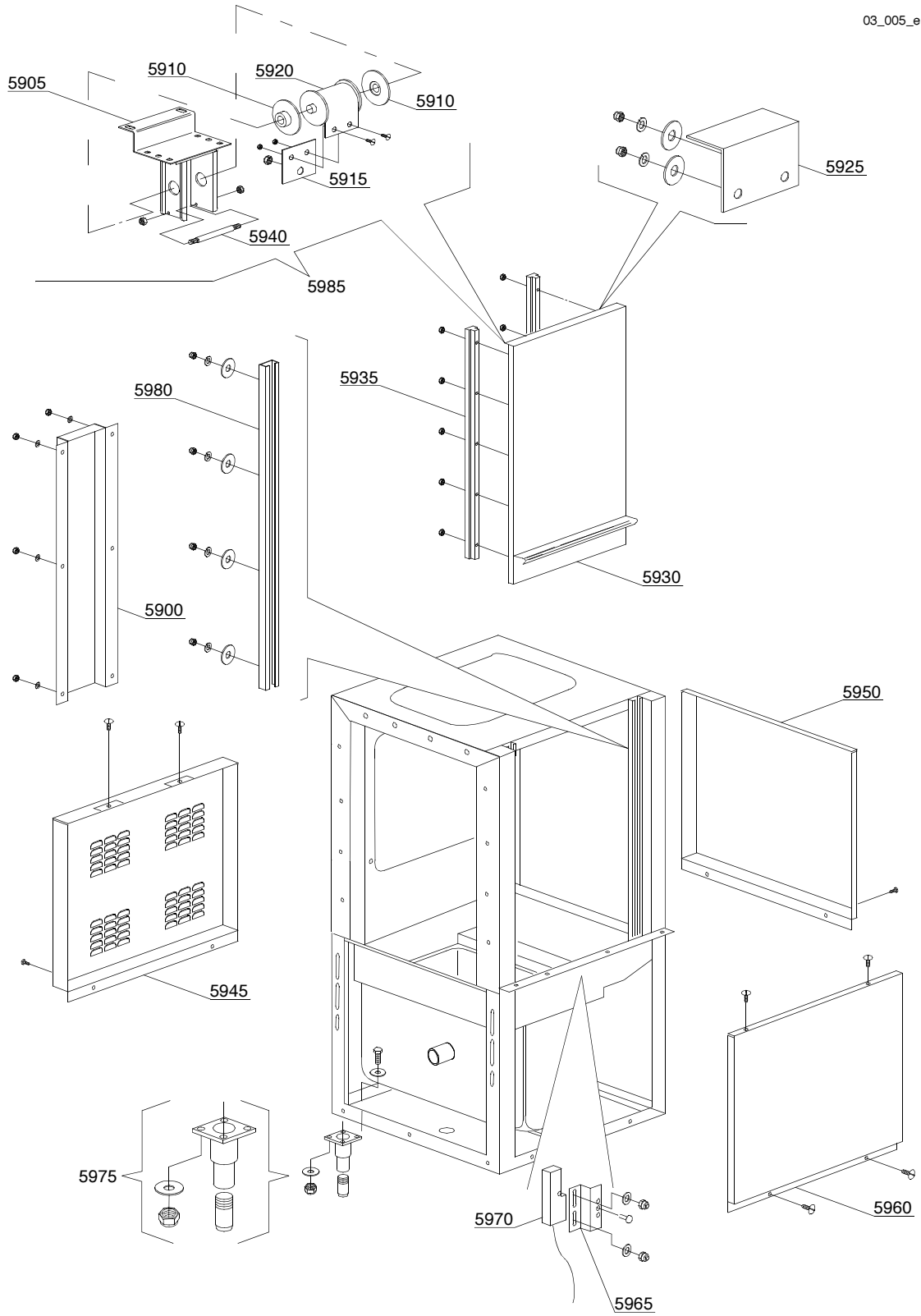


03_018_e

Spare parts

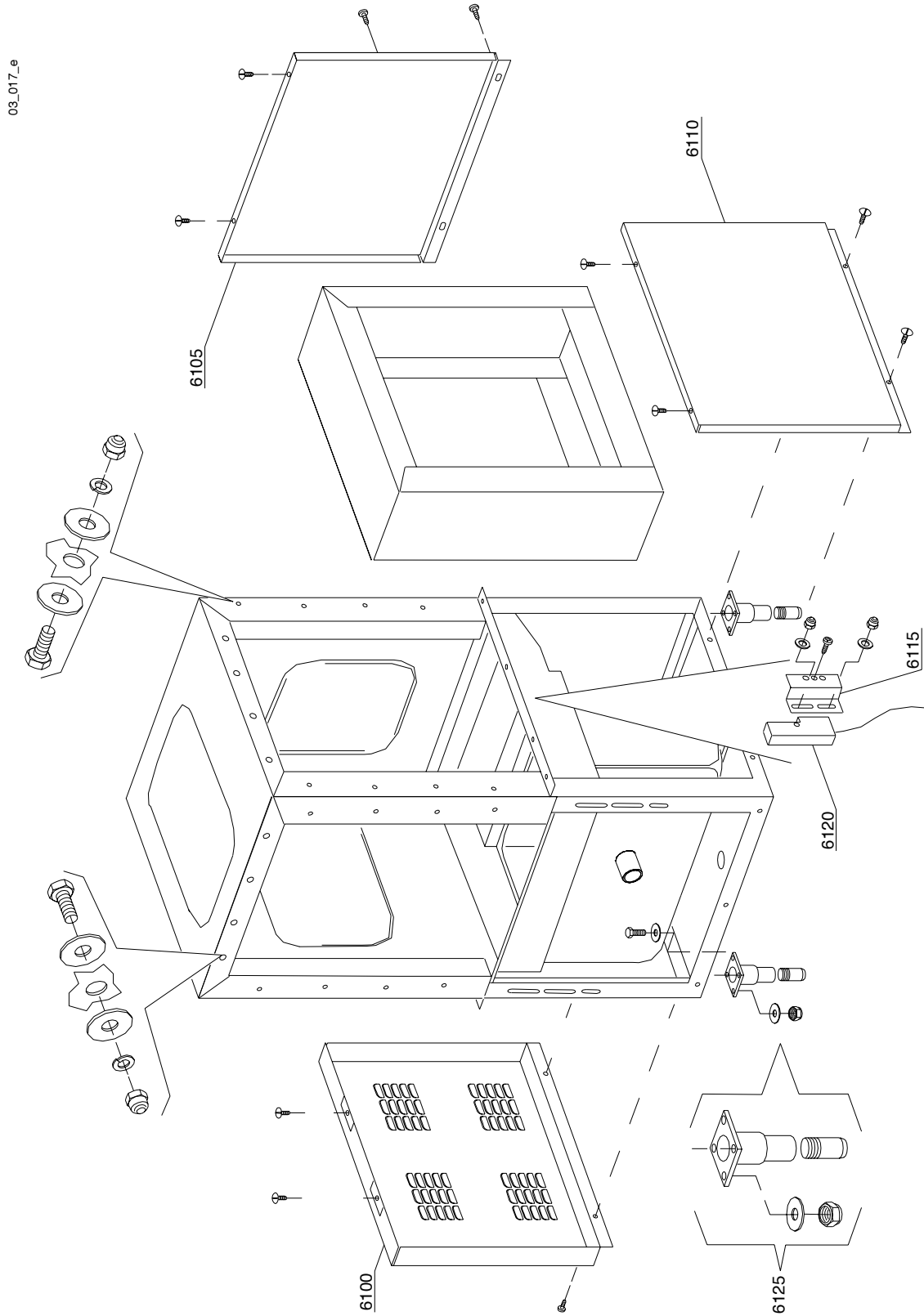
ID	P-code	Model	Type	Accessory	Voltage	Description
MODULE:Machine structure in modules						
5600	3019021		26			Splash zone
5605	3009504		26			Splash zone

03_005_e



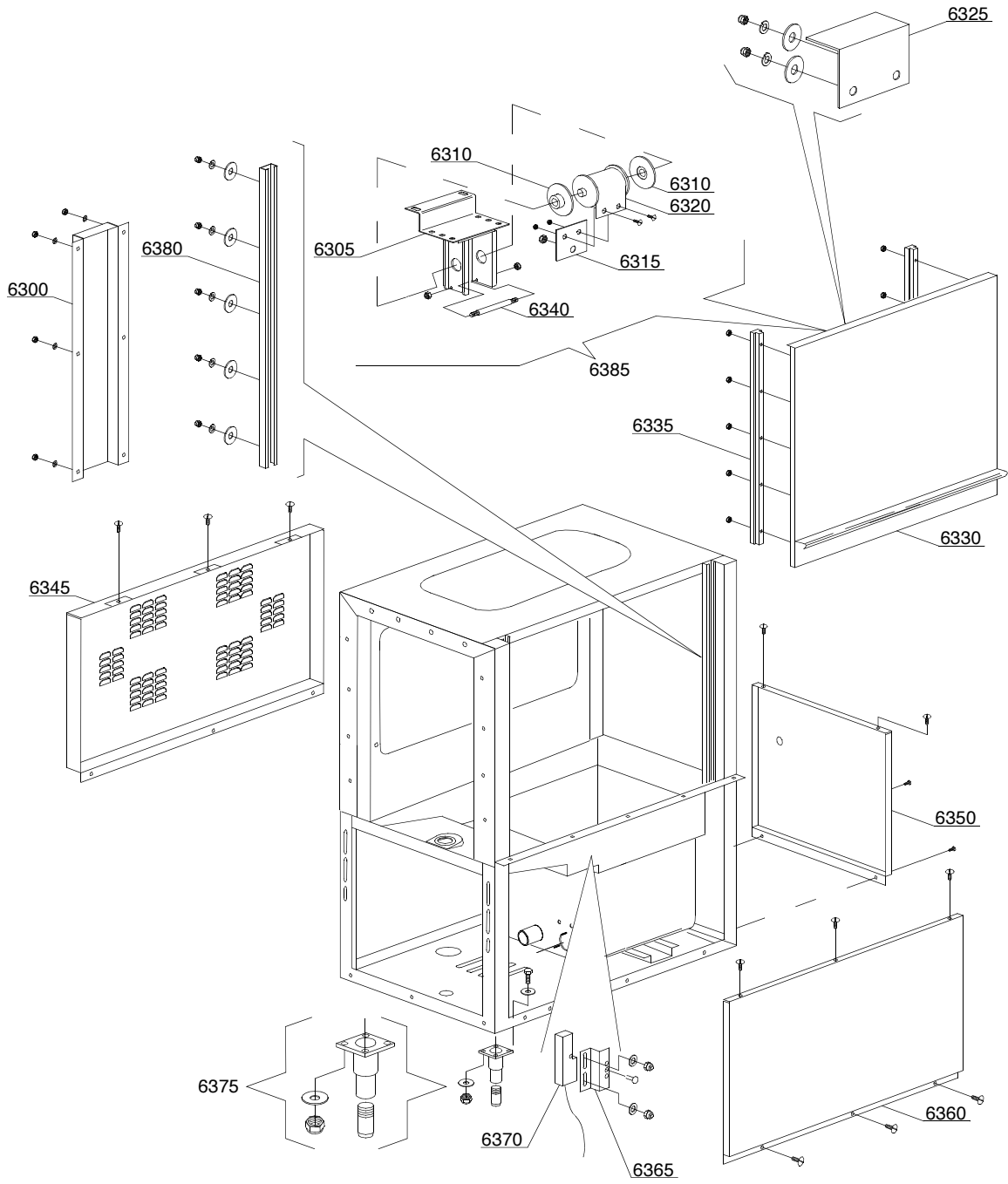
Spare parts

ID	P-code	Model	Type	Accessory	Voltage	Description
MODULE:Prewashing module 600						
5900	3009336		26			Rear cover
5905	3009909		26			Spring support
5910	3004012		26			Spring holder
5915	3009555		26			Spring clamping plate
5920	3004011		26			Door spring BBSR 23
5925	3009269		26			Door stop
5930	3009402		26			Door assembly
5935	3004026		26			Door guide
5940	3003958		26			Pin
5945	3009174		26			Rear panel
5950	3009189		26			Cover left
5950	3009188		26			Cover right
5960	3009178		26			Front cover right
5960	3009179		26			Front cover left
5965	3009112		26			Microswitch support
5970	3003112		26			Door microswitch
5975	3004060		26			Foot
5980	3009033		26			Slideways
5985	3009905		26			Spring assembly BBSR 23



Spare parts

ID	P-code	Model	Type	Accessory	Voltage	Description
MODULE:Angle prewashing module 600						
6100	3009174		26			Rear panel
6105	3009190		26			Cover left
6105	3009191		26			Cover right
6110	3009124		26			Front cover right
6110	3009125		26			Front cover left
6115	3009112		26			Microswitch support
6120	3003112		26			Door microswitch
6125	3004060		26			Foot

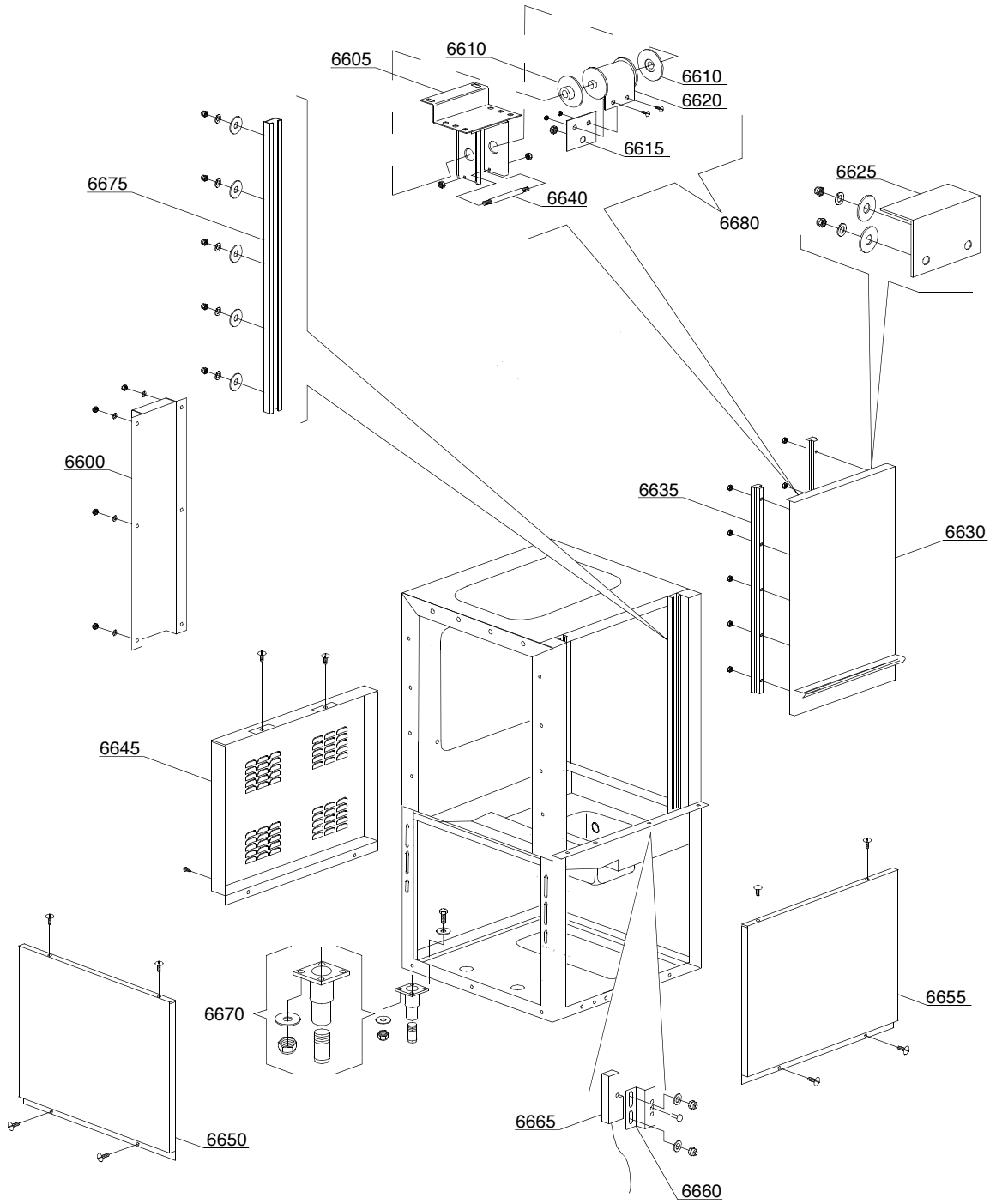


03_004_e

Spare parts

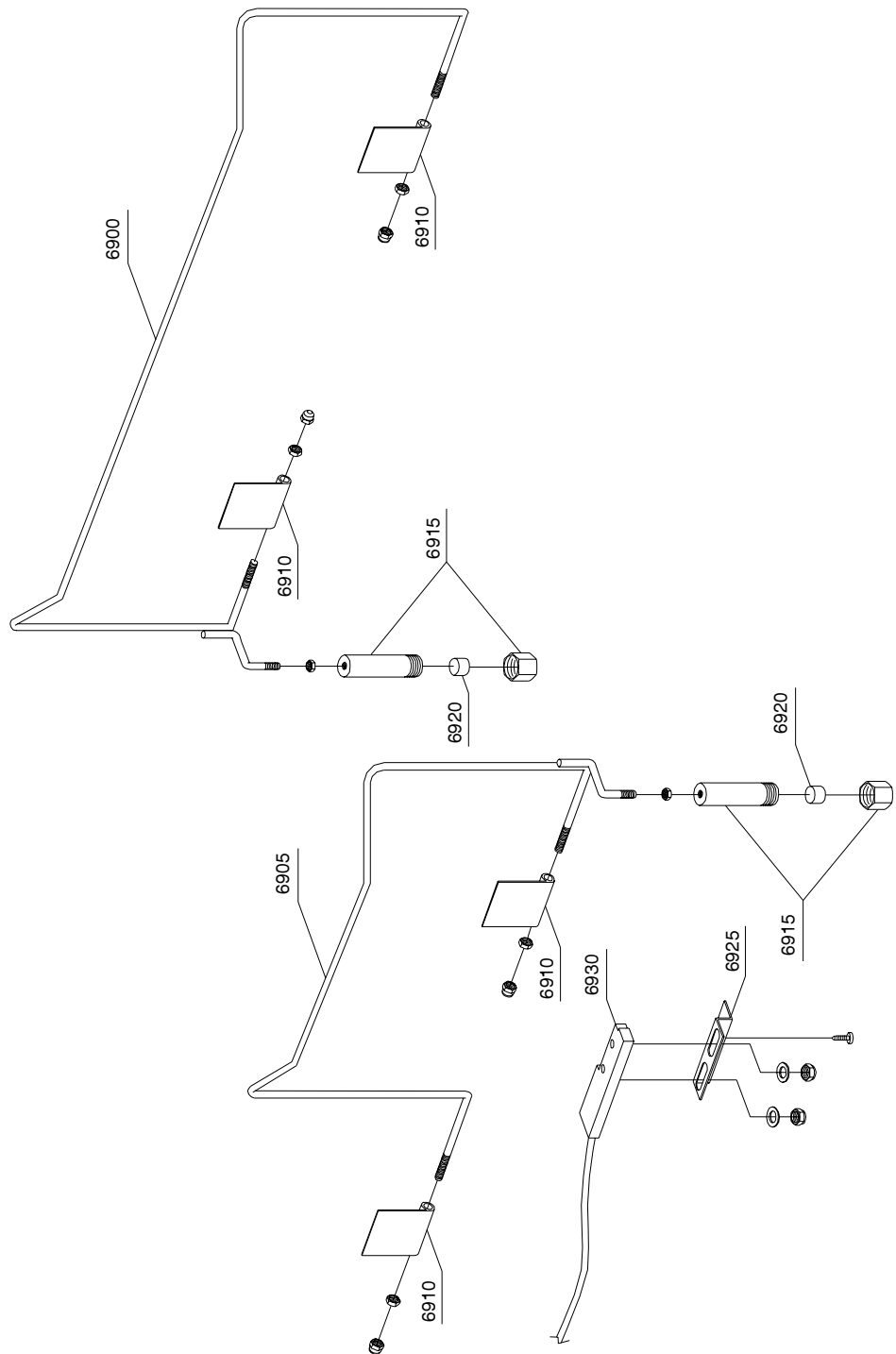
ID	P-code	Model	Type	Accessory	Voltage	Description
MODULE:Washing module 900						
6300	3009336		26			Rear cover
6305	3009904		26			Spring support
6310	3004012		26			Spring holder
6315	3009555		26			Spring clamping plate
6320	3004013		26			Door spring BBSR 22
6325	3009269		26			Door stop
6330	3009403		26			Door assembly
6335	3004026		26			Door guide
6340	3003959		26			Pin
6345	3009170		26			Rear panel
6350	3009189		26			Cover left
6350	3009188		26			Cover right
6360	3009147		26			Front cover
6365	3009112		26			Microswitch support
6370	3003112		26			Door microswitch
6375	3004060		26			Foot
6380	3009033		26			Slideways
6385	3009906		26			Spring assembly BBSR 22

03_006_e



Spare parts

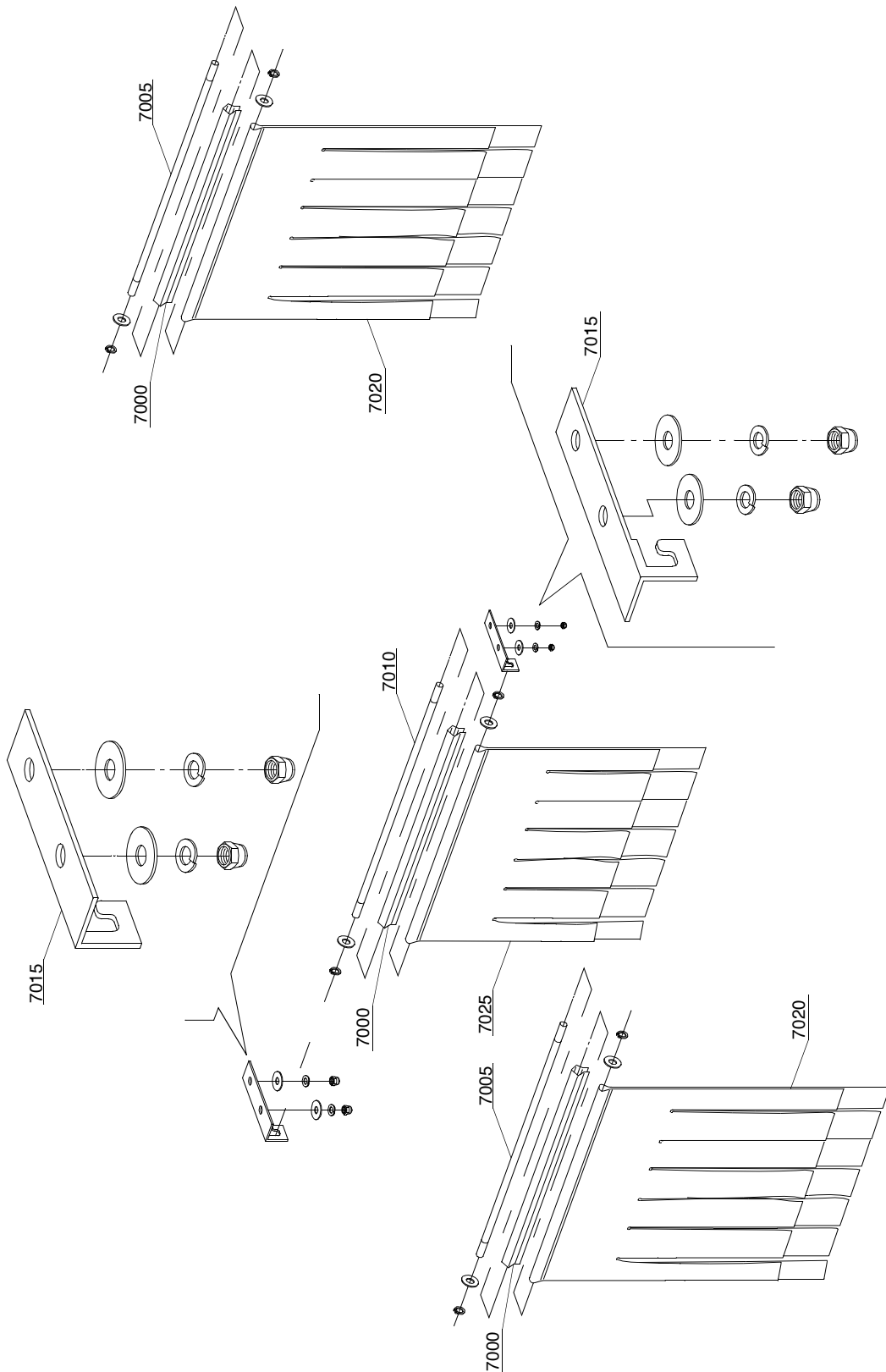
ID	P-code	Model	Type	Accessory	Voltage	Description
MODULE:Rising module 600						
6600	3009336		26			Rear cover
6605	3009909		26			Spring support
6610	3004012		26			Spring holder
6615	3009555		26			Spring clamping plate
6620	3004011		26			Door spring BBSR 23
6625	3009269		26			Door stop
6630	3009402		26			Door assembly
6635	3004026		26			Door guide
6640	3003958		26			Pin
6645	3009174		26			Rear panel
6650	3009188		26			Cover left
6650	3009189		26			Cover right
6655	3009178		26			Front cover right
6655	3009179		26			Front cover left
6660	3009112		26			Microswitch support
6665	3003112		26			Door microswitch
6670	3004060		26			Foot
6675	3009033		26			Slideways
6680	3009905		26			Spring assembly BBSR 23



03_102_e

Spare parts

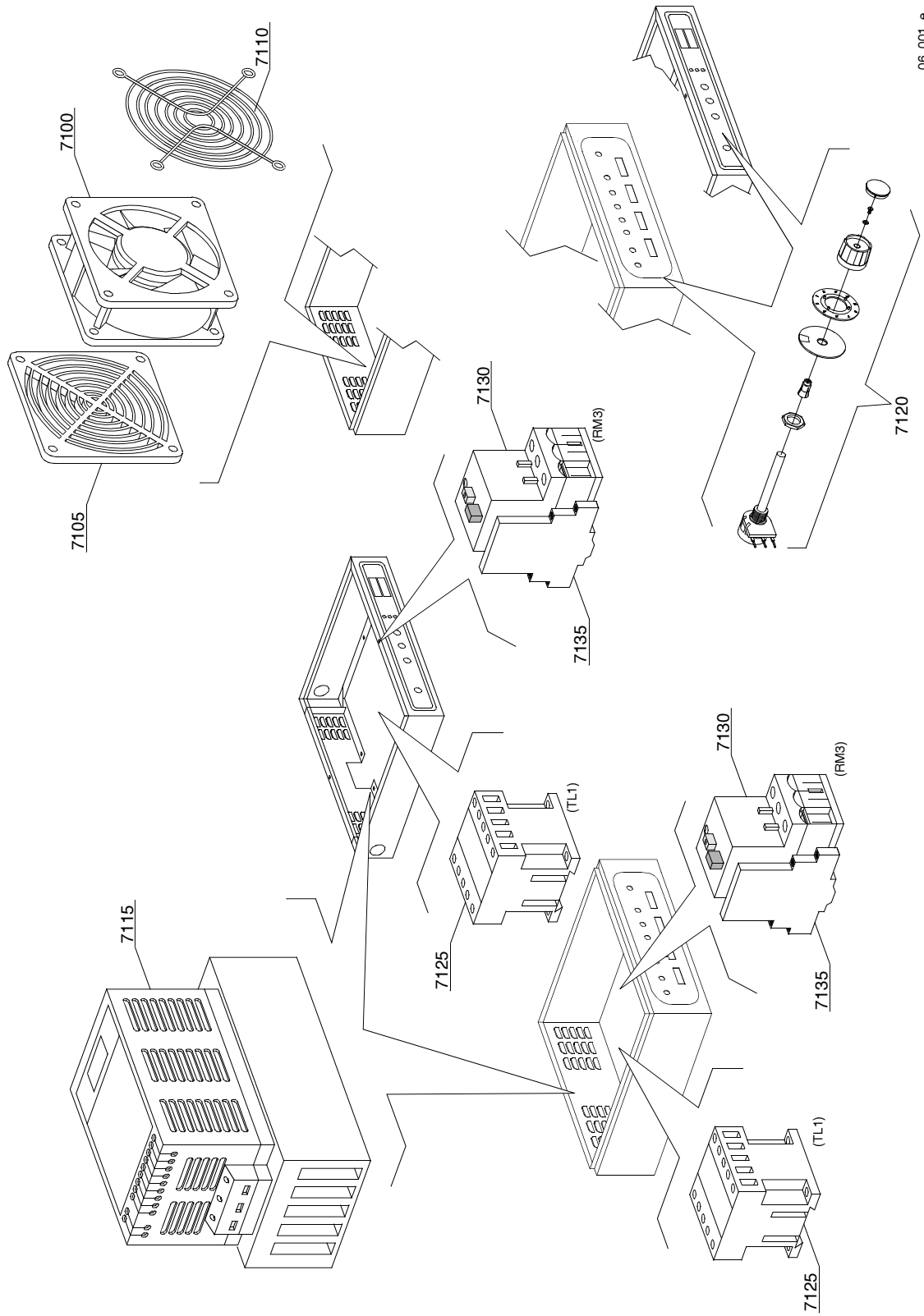
ID	P-code	Model	Type	Accessory	Voltage	Description
MODULE:Economizer components						
6900	3003074		26			Rack switch arm right
6900	3003075		26			Rack switch arm left
6905	3003072		26			Rack switch arm right
6905	3003073		26			Rack switch arm left
6910	3003061		26			Economizer support
6915	3003058		26			Magnet holder
6920	3003113		26			Magnet
6925	3009112		26			Door microswitch support
6930	3003112		26			Door microswitch



03_201_e

Spare parts

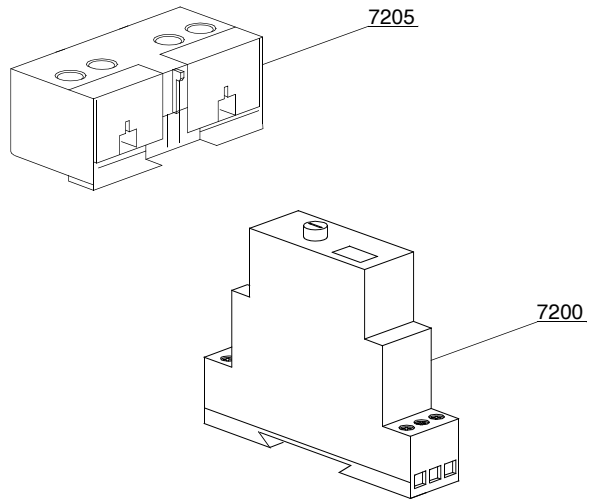
ID	P-code	Model	Type	Accessory	Voltage	Description
MODULE: Curtains group components						
7000	3009109		26			Curtain moulding
7005	3004053		26			Curtain rod short
7010	3004052		26			Curtain rod long
7015	3009110		26			Curtain support
7020	3004050		26			Curtain long
7025	3004051		26			Curtain short



06_001_e

Spare parts

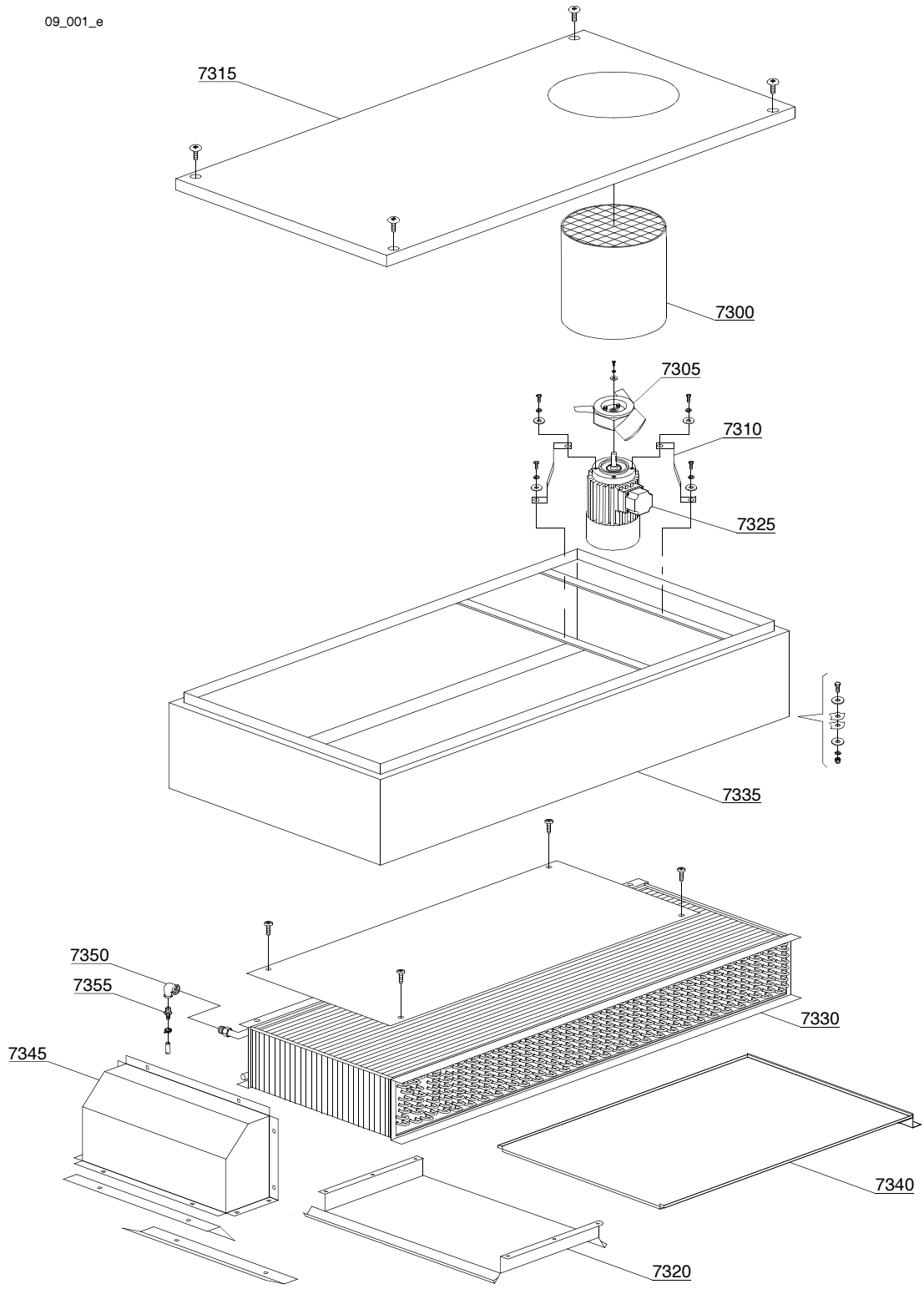
ID	P-code	Model	Type	Accessory	Voltage	Description
MODULE:Inverter						
7100	3000118		26	csa	A	Impeller fan
7105	3000118/A		26	csa	A	Filter
7110	3000118/B		26	csa	A	Grid
7115	3000117		26	csa	A	Inverter 0,37kW
7120	3000119		26	csa	A	Potentiometer with knob
7125	2000370		26	csa	A	Contactora MC9
7130	2000400		26	csa	A	Motorprotector 4-6,3A
7135	3006080		26	csa	A	Auxiliary contact LMS25



07_001_e

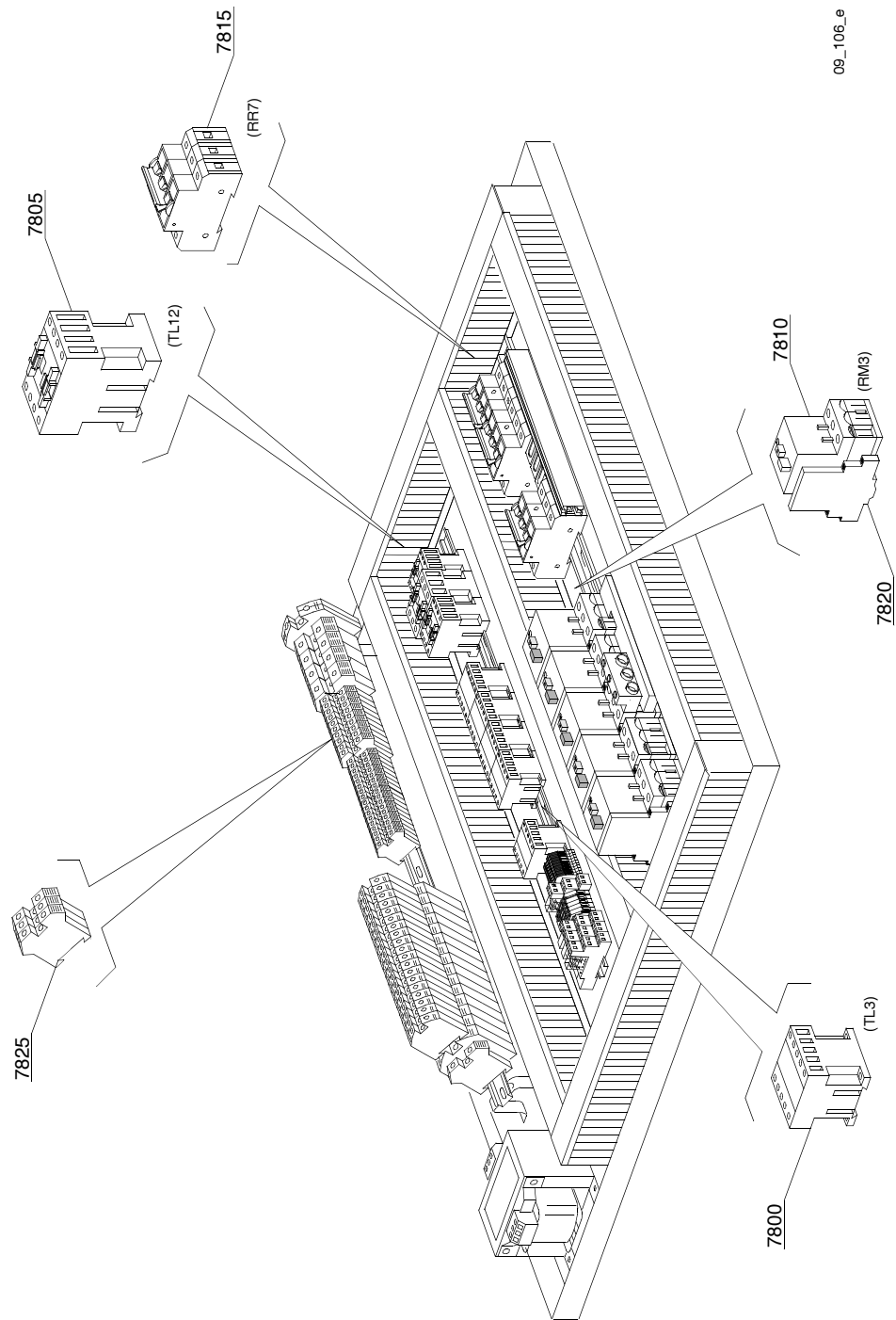
Spare parts

ID	P-code	Model	Type	Accessory	Voltage	Description
MODULE:Time relay						
7200	3006225		26	sc9,,d9,d92,d94,974,975	A	Time relay 24V
7205	3006068		26	sc9,,d9,d92,d94,974,975	A	MC9 auxiliary contact 1NO-1NC
7205	3002057		26	sc9,,d9,d92,d94,974,975	A	MC9 auxiliary contact 2NO
7205	3002052		26	sc9,,d9,d92,d94,974,975	A	MC9 auxiliary contact 2NC



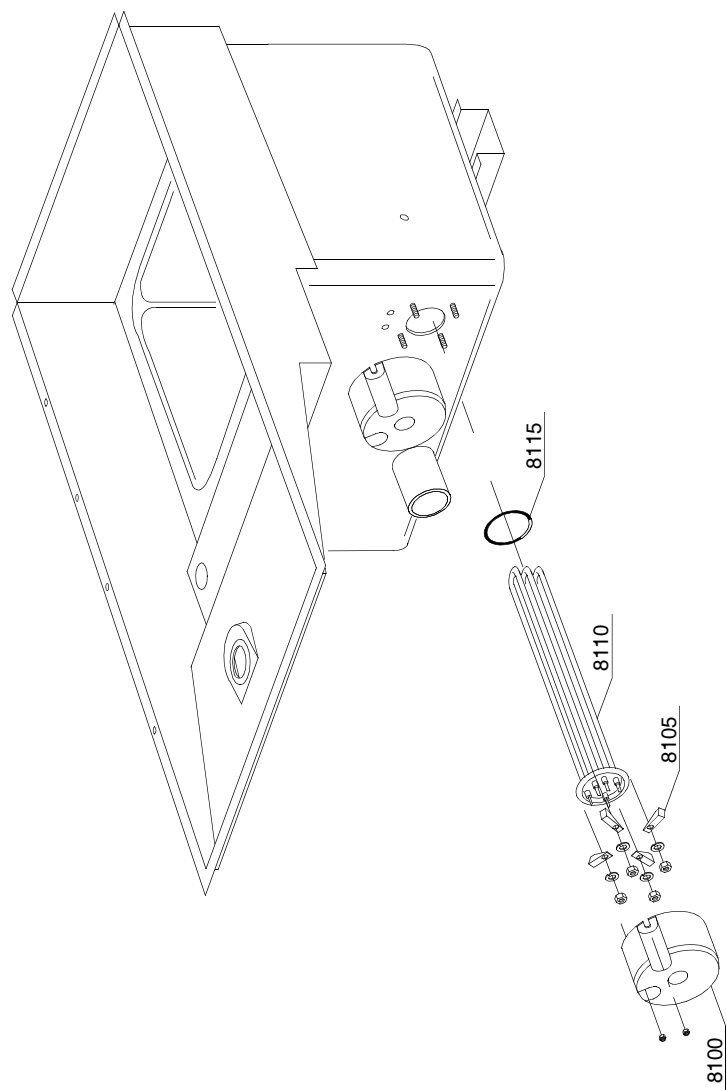
Spare parts

ID	P-code	Model	Type	Accessory	Voltage	Description
MODULE:Heat recovery TR 98 - part 1						
7300	3009499		26	hr		Chimney
7305	3000125		26	hr		Impeller fan
7310	3009106		26	hr		Motor holder
7315	3009318		26	hr		Cover TR98
7320	3009090		26	hr		Suction group
7325	3000120		26	hr	A	Motor 0.18KW
7330	3000151		26	hr		Heating recovery battery
7335	3009498		26	hr		Complete body
7340	3009501		26	hr		Tray
7345	3009500		26	hr		Cope
7350	3002138		26	hr		Elbow
7355	12023		26	hr		Hose holder



Spare parts

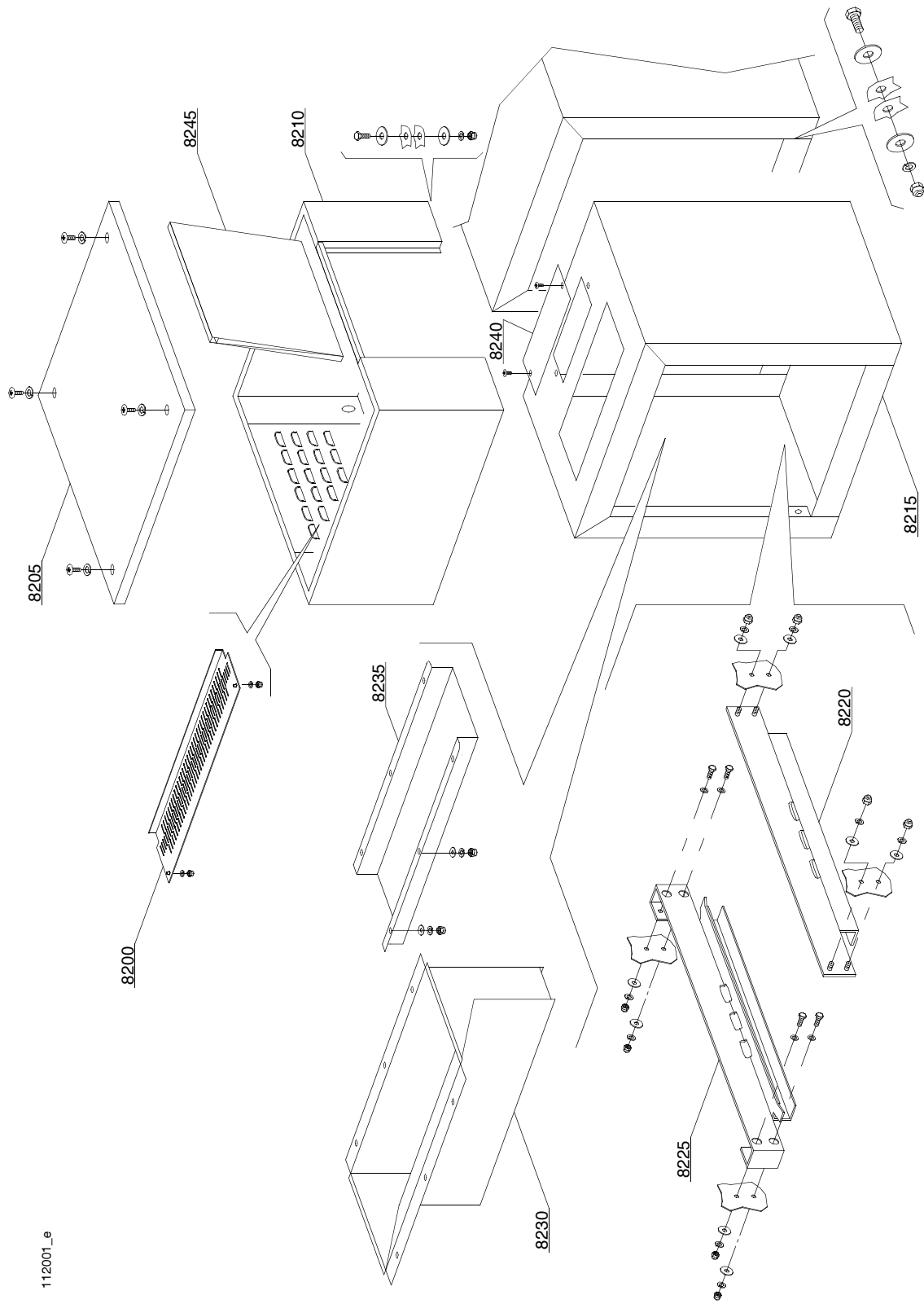
ID	P-code	Model	Type	Accessory	Voltage	Description
MODULE:Heat recovery TR 98 - part 2						
7800	2000370		26	hr	A	Contacteur MC9
7805	2000380		26	hr	A	Contacteur BF12 (heating element < 9 kW)
7805	2000385		26	hr	A	Contacteur BF20 (heating element > 9 kW)
7810	2000390		26	hr	A	Motorprotector 1 - 1.6A
7815	2000403		26	hr	A	Automatic fuse C20 (heating element < 9kW)
7815	2000404		26	hr	A	Automatic fuse C25 (heating element > 9kW)
7820	3006080		26	hr	A	Auxiliary contact LMS25
7825	10300403		26	hr	A	Clamp 6 mm



09_201_e

Spare parts

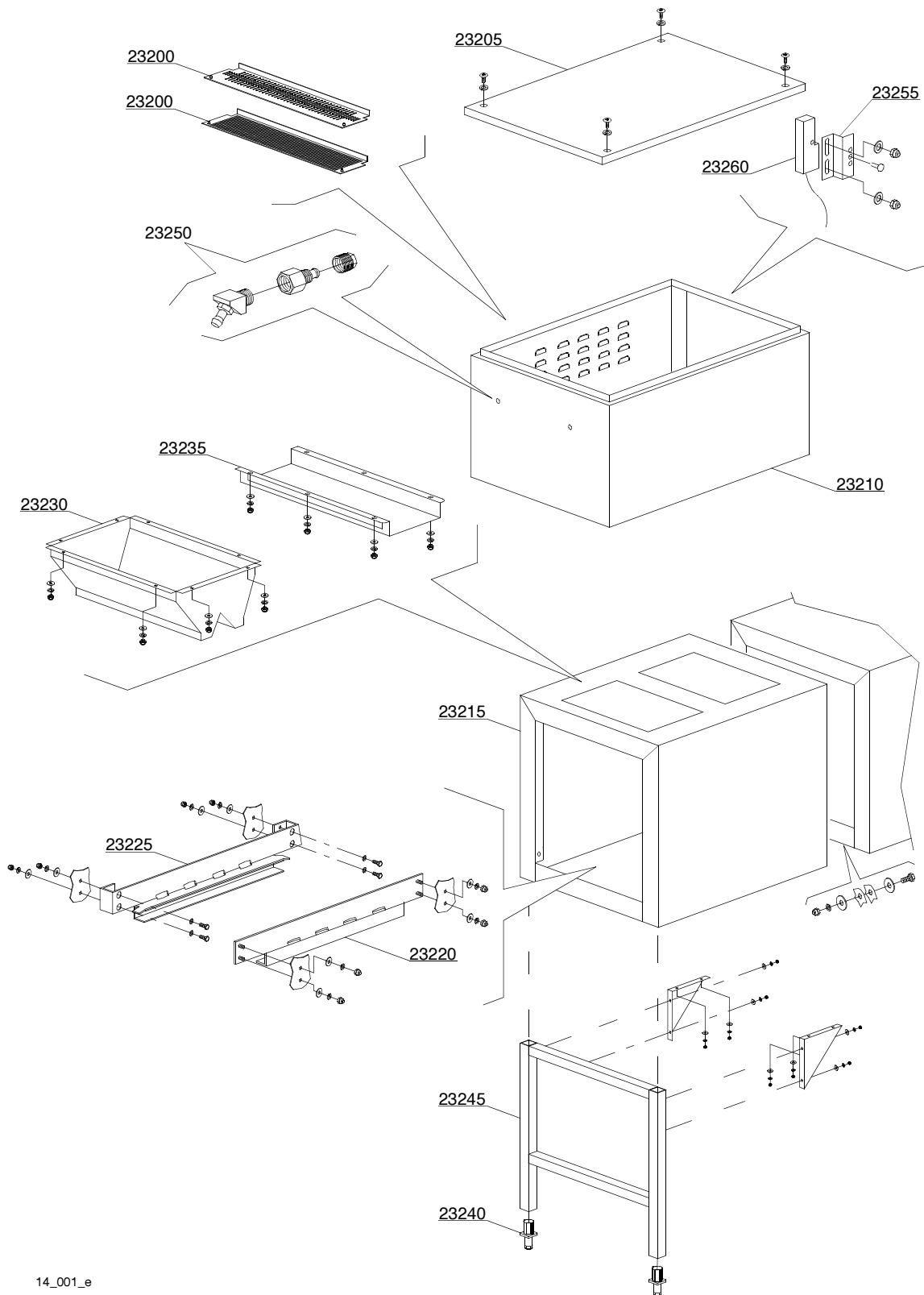
ID	P-code	Model	Type	Accessory	Voltage	Description
MODULE:Heat recovery TR 98 - part 3						
8100	75311		26	hr		Heating element cover
8105	16045		26	hr		Heating element support Ø6.3
8110	30001010		26	hr		Heating element 6kW
8110	30001011		26	hr		Heating element 9kW
8110	30001011/A		26	hr		Heating element 12kW
8110	30001011/B		26	hr		Heating element 14kW
8115	13015		26	hr		O-ring 160 (6225)



112001_e

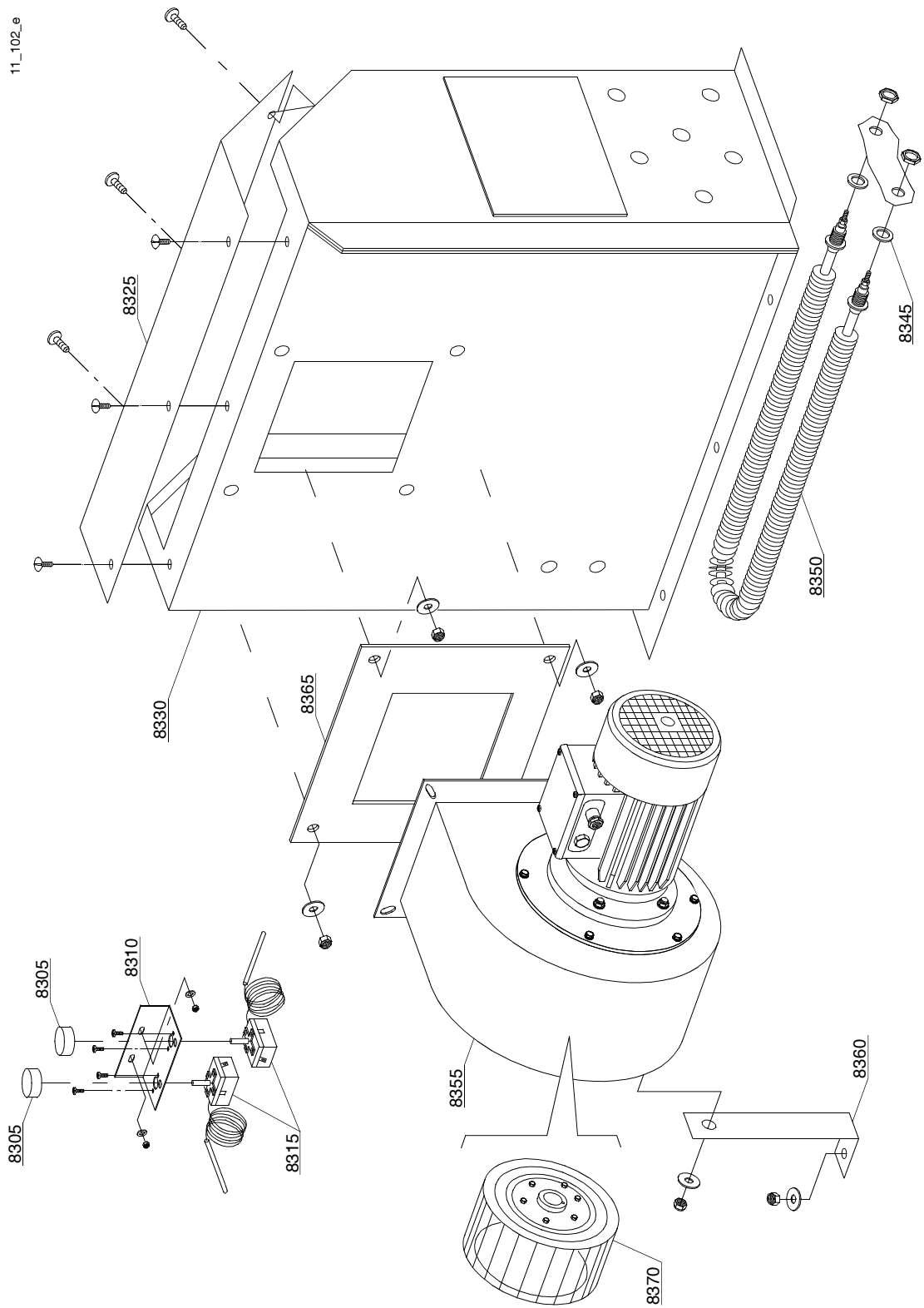
Spare parts

ID	P-code	Model	Type	Accessory	Voltage	Description
MODULE:Dryer LC 90 - LC 90/2 (6 - 12kW) - part 1						
8200	3009362/A		26	d9,d92		Protection
8205	3009267		26	d9,d92		Cover panel
8210	3009484		26	d9,d92		Complete body
8215	3009485		26	d9,d92		Dryer module
8220	3009047		26	d9,d92		Front slideways
8225	3009057		26	d9,d92		Back slideways
8230	3009492		26	d9,d92		Flow conveyor
8235	3009434		26	d9		Splash guard
8240	3009100		26	d92		Air covering
8245	3009268		26	d9,d92		Dryer carter lockup



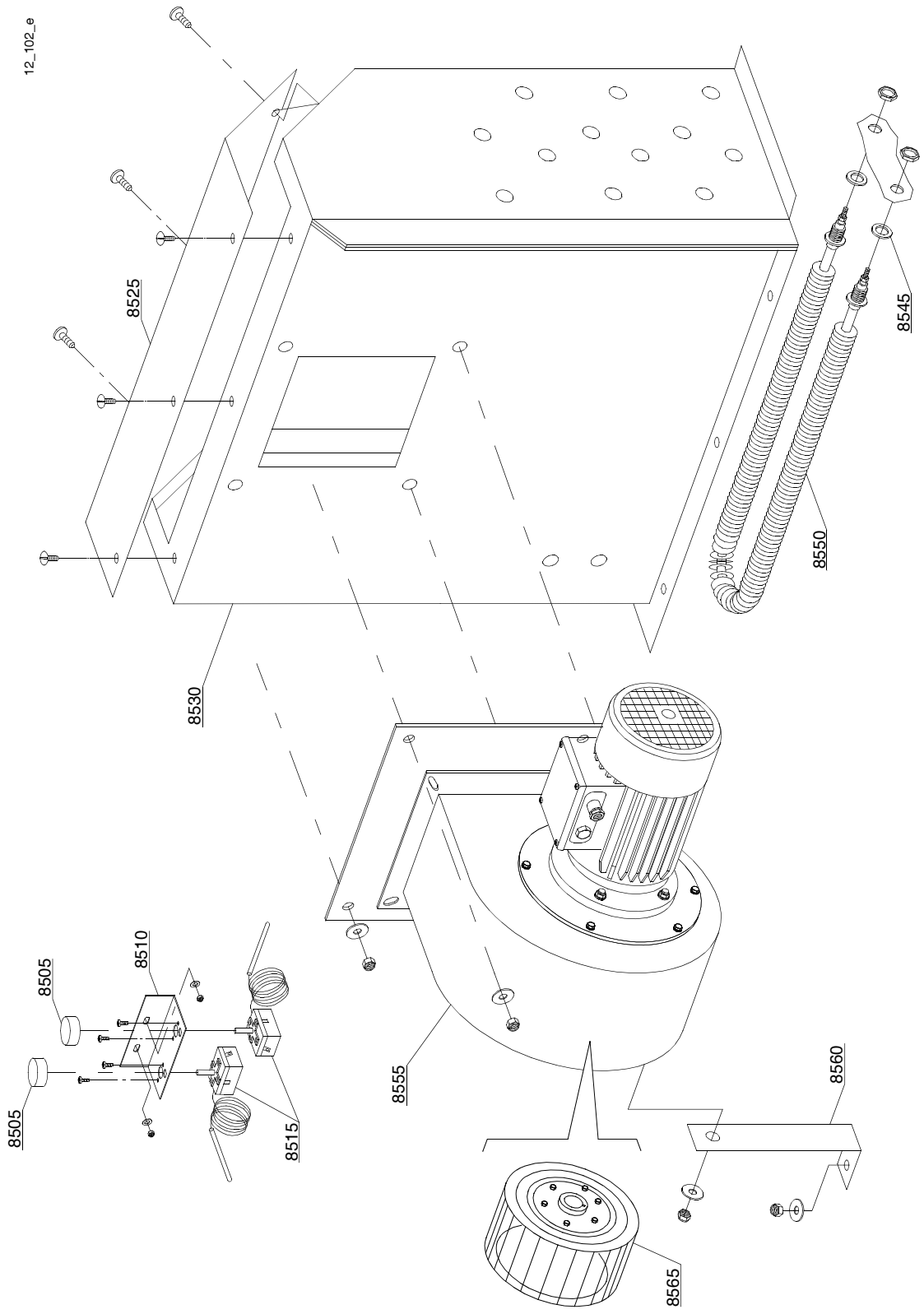
14_001_e

ID	P-code	Model	Type	Accessory	Voltage	Description
MODULE:Dryer LC 90/4 (18kW) - part 1						
23200	3009362/A		26	d94		Protection
23205	3009330		26	d94		Cover panel
23210	3009494		26	d94		Complete body
23215	3009495		26	d94		Dryer module
23220	3009333		26	d94		Front slideways
23225	3009332		26	d94		Back slideways
23230	3009441		26	d94		Splash guard
23235	3009440		26	d94		Splash guard
23240	3000252		26	d94		Adjustable food
23245	3003064		26	d94		Legs with support
23250	3004166		26	d94		Grease nipple
23255	3009112		26	d94		Microswitch support
23260	3003112		26	d94		Door microswitch
N.B.: NO MORE MADE. AVAILABLE ONLY SPARE PARTS.						



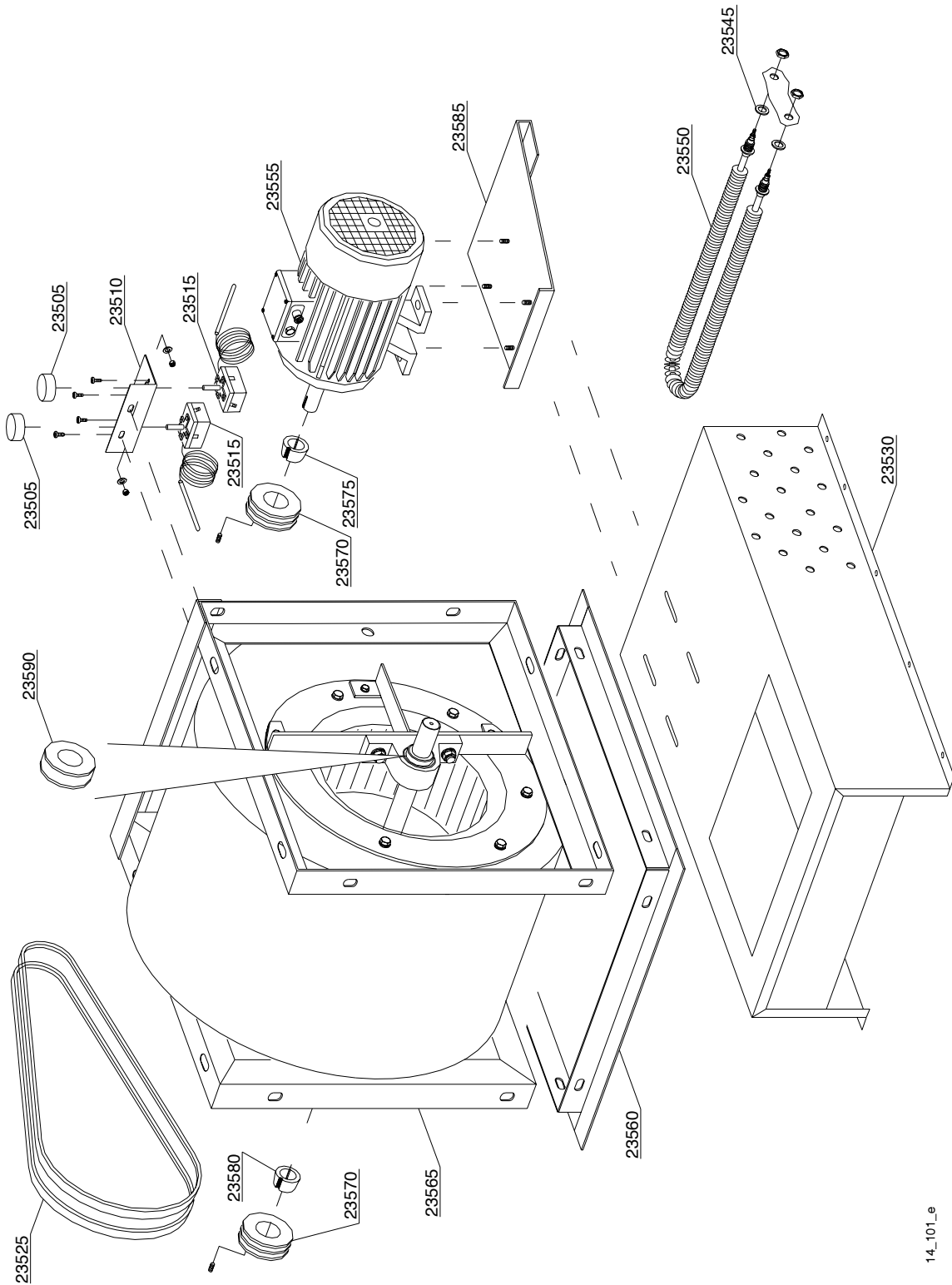
Spare parts

ID	P-code	Model	Type	Accessory	Voltage	Description
MODULE:Dryer LC 90 (6kW) - part 2						
8305	15105/A		26	d9		Thermostat knob
8310	3009104		26	d9		Themostat support
8315	10707/2		26	d9		Thermostat with shaft 0 - 90°
8325	3009085		26	d9		Cover drying conveyor
8330	3009486		26	d9		Right drying conveyor
8330	3009487		26	d9		Left drying conveyor
8345	10200171		26	d9		Gasket FASIT 25x17x2
8350	2000359		26	d9		Drying heating element with nut
8355	3000300		26	d9	A	Motorfan 0,55 kW
8360	3009214		26	d9		Motorfan support
8365	3009275		26	d9		Flange
8370	3000308		26	d9		Pump rotor



Spare parts

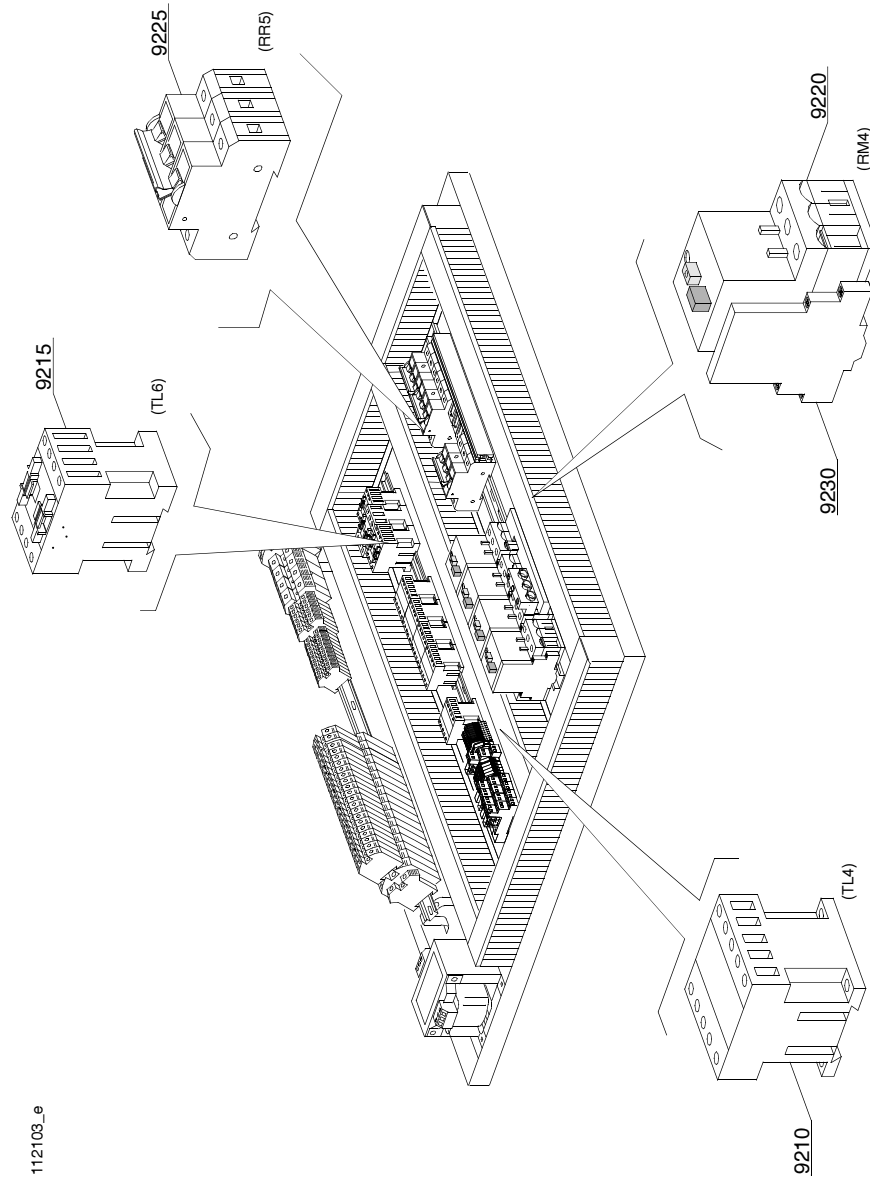
ID	P-code	Model	Type	Accessory	Voltage	Description
MODULE:Dryer LC 90/2 (12kW) - part 2						
8505	15105/A		26	d92,974,975		Thermostat knob
8510	3009104		26	d92,974,975		Themostat support
8515	10707/2		26	d92,974,975		Thermostat with shaft 0 - 90°
8525	3009085		26	d92,974,975		Cover drying conveyer
8530	3009488		26	d92,974,975		Right drying conveyer
8530	3009489		26	d92,974,975		Left drying conveyer
8545	10200171		26	d92,974,975		Gasket FASIT 25x17x2
8550	2000359		26	d92,974,975		Drying heating element with nut
8555	3003118		26	d92,974,975		Motorfan 0.75 kW
8555	3000301		26	d92,974,975		Motorfan 1,5 kW
8560	3009214		26	d92,974,975		Motorfan support
8565	3003119		26	d92,974,975		Pump rotor



14_101_e

Spare parts

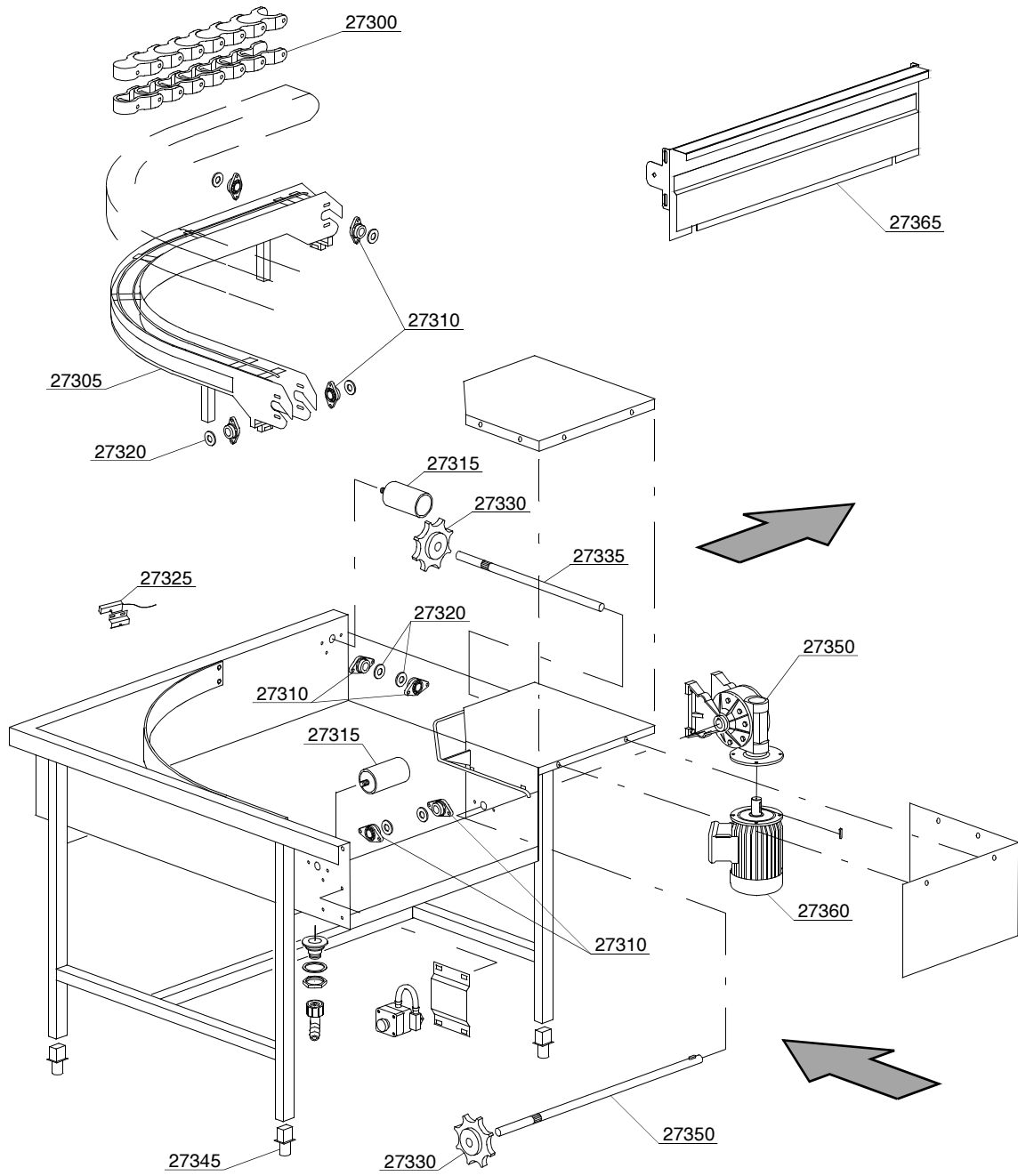
ID	P-code	Model	Type	Accessory	Voltage	Description
MODULE:Dryer LC 90/4 (18kW) - part 2						
23505	15105/A		26	d94		Thermostat knob
23510	3009104		26	d94		Thermostat support
23515	10707/2		26	d94		Thermostat with shaft 0 - 90°
23525	3000303		26	d94		Driving belt
23530	3009496		26	d94		Right heating element support
23530	3009497		26	d94		Left heating element support
23545	10200171		26	d94		Gasket FASIT 25x17x2
23550	2000359		26	d94		Drying heating element with nut
23555	3000114		26	d94	A	Motor 1,5 kW
23560	3009426		26	d94		Fan support
23565	3000302		26	d94		Fan
23570	3000304		26	d94		Belt pulley
23575	3000305		26	d94		Bush Ø 24mm
23580	3000306		26	d94		Bush Ø 25mm
23585	3009425		26	d94		Motor support
23590	---		26	d94		Bearing ISO 5757
N.B.: NO MORE MADE. AVAILABLE ONLY SPARE PARTS.						



112103_e

Spare parts

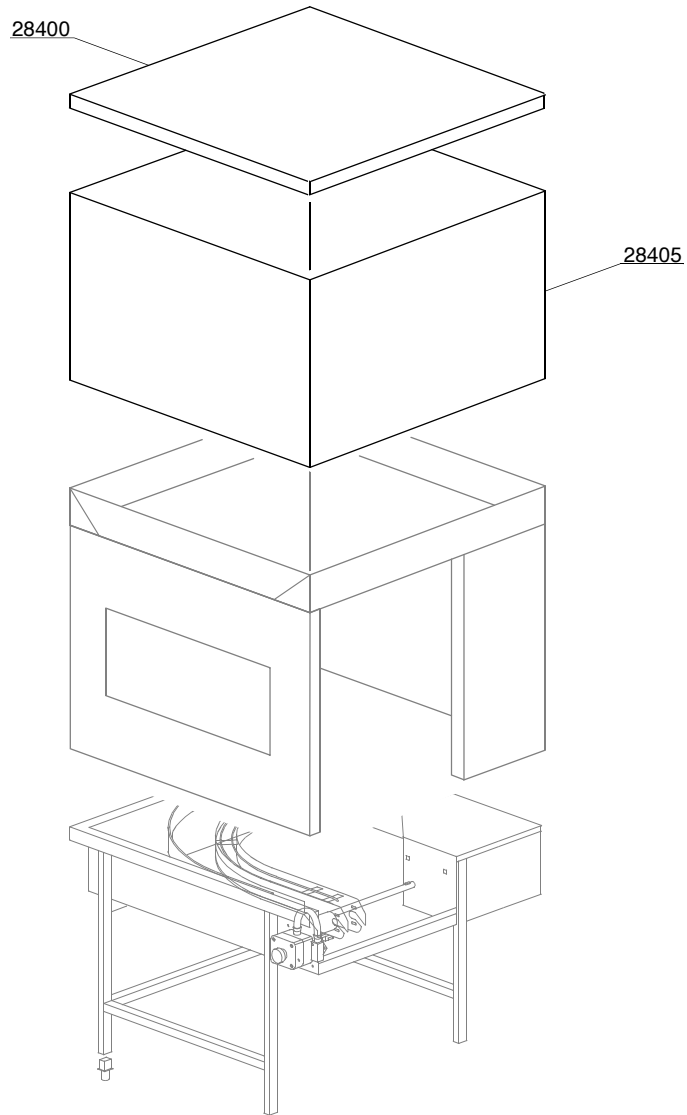
ID	P-code	Model	Type	Accessory	Voltage	Description
MODULE:Dryer LC 90 - LC 90/2 - LC 90/4 (6 - 12 - 18kW) - electric components						
9210	2000370		26	d9,d92,974,975,d94	A	Contacteur MC9
9215	2000380		26	d9	A	Contacteur BF12 (LC90 - 6kW)
9215	2000385		26	d92,974,975	A	Contacteur BF20 (LC90/2 - 12kW)
9215	10300064		26	d94	A	Contacteur BF32 (LC90/4 - 18kW)
9220	2000394		26	d9,d92	A	Motorprotector 2,5-4A (Motorfan 0,75 kW)
9220	2000400		26	d92,974,975	A	Motorprotector 4-6,3A (Motorfan 1,5 kW)
9220	2000400		26	d94	A	Motorprotector 4-6,3A (Motor 1,5 kW)
9225	2000403		26	d9	A	Automatic fuse C16 (LC90 - 6kW)
9225	2000404		26	d92,974,975	A	Automatic fuse C25 (LC90/2 - 12kW)
9225	2000409		26	d94	A	Automatic fuse C40 (LC90/4 - 18kW)
9230	3006080		26	d9,d92,974,975,d94	A	Auxiliary contact LMS25



15_001_e

Spare parts

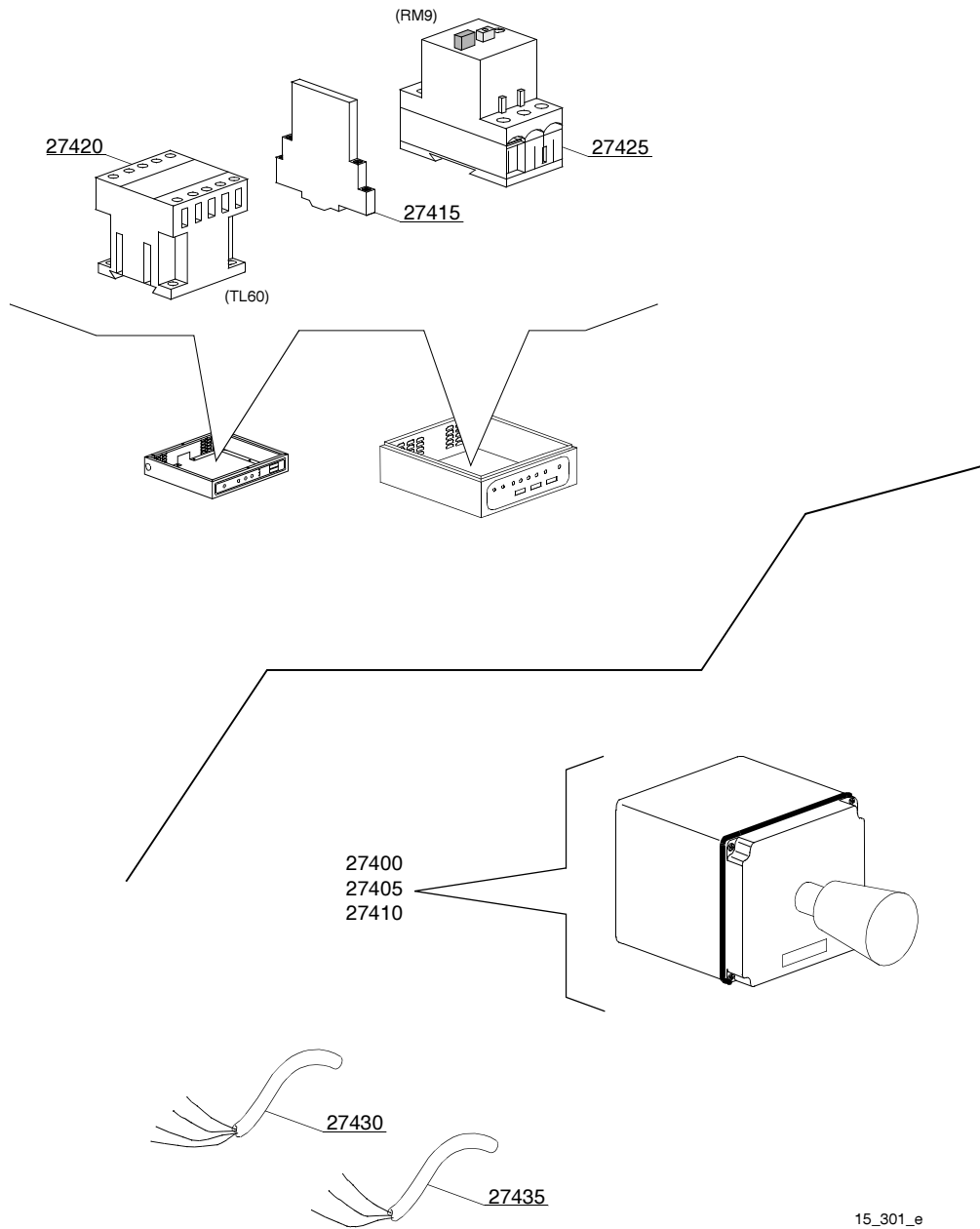
ID	P-code	Model	Type	Accessory	Voltage	Description
MODULE:Motorized curve 90° - LC 97/2						
27300	3000259		26	972,974		Chain for roller
27305	3003057		26	972,974		Kit guide for chain
27310	3000260		26	972,974		Flange for chain
27315	3000262		26	972,974		Ø50x80 embossment roller
27320	3003048		26	972,974		Spacer for bearings
27325	3003112		26	972,974		Door microswitch
27330	3000261		26	972,974		8 teeth pinion
27335	3003050		26	972,974		Neutral shaft for chain
27345	3000252		26	972,974		Adjustable food
27350	3003047		26	972,974		Shaft for chain rotation
27350	3000250		26	972,974		Gear left 1:70
27360	3000110		26	972,974	A	Conveyor motor
27360	3000109		26	972,974		Conveyor motor
27360	3000251		26	972,974	A	Conveyor motor



15_101_e

Spare parts

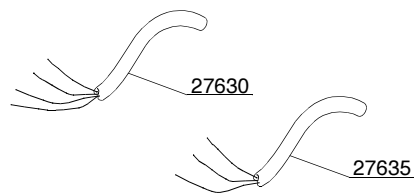
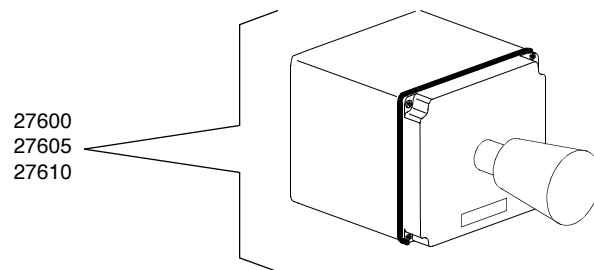
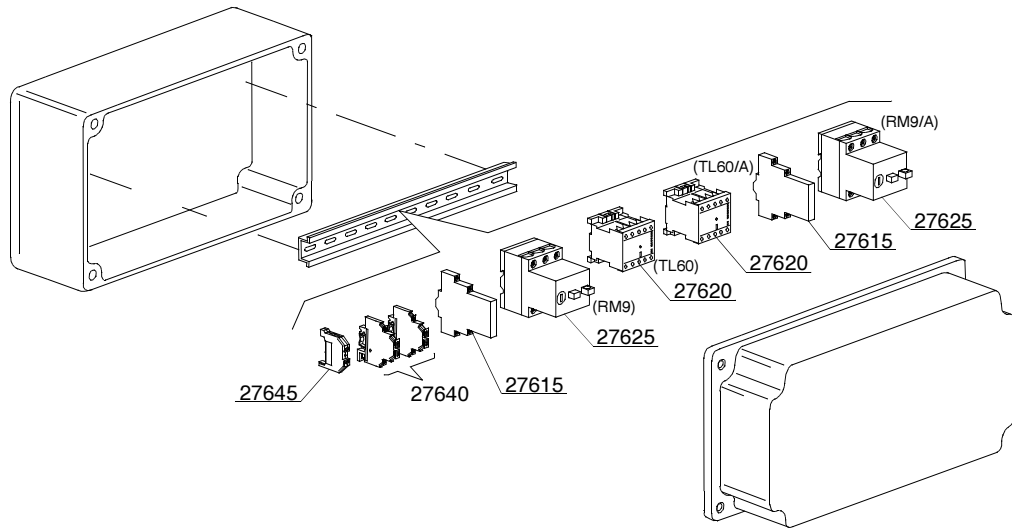
ID	P-code	Model	Type	Accessory	Voltage	Description
MODULE:Dryer motorized curve 90° - LC 97/4						
28400	3009326		26	974		Cover panel
28405	3009511		26	974		Carter



15_301_e

Spare parts

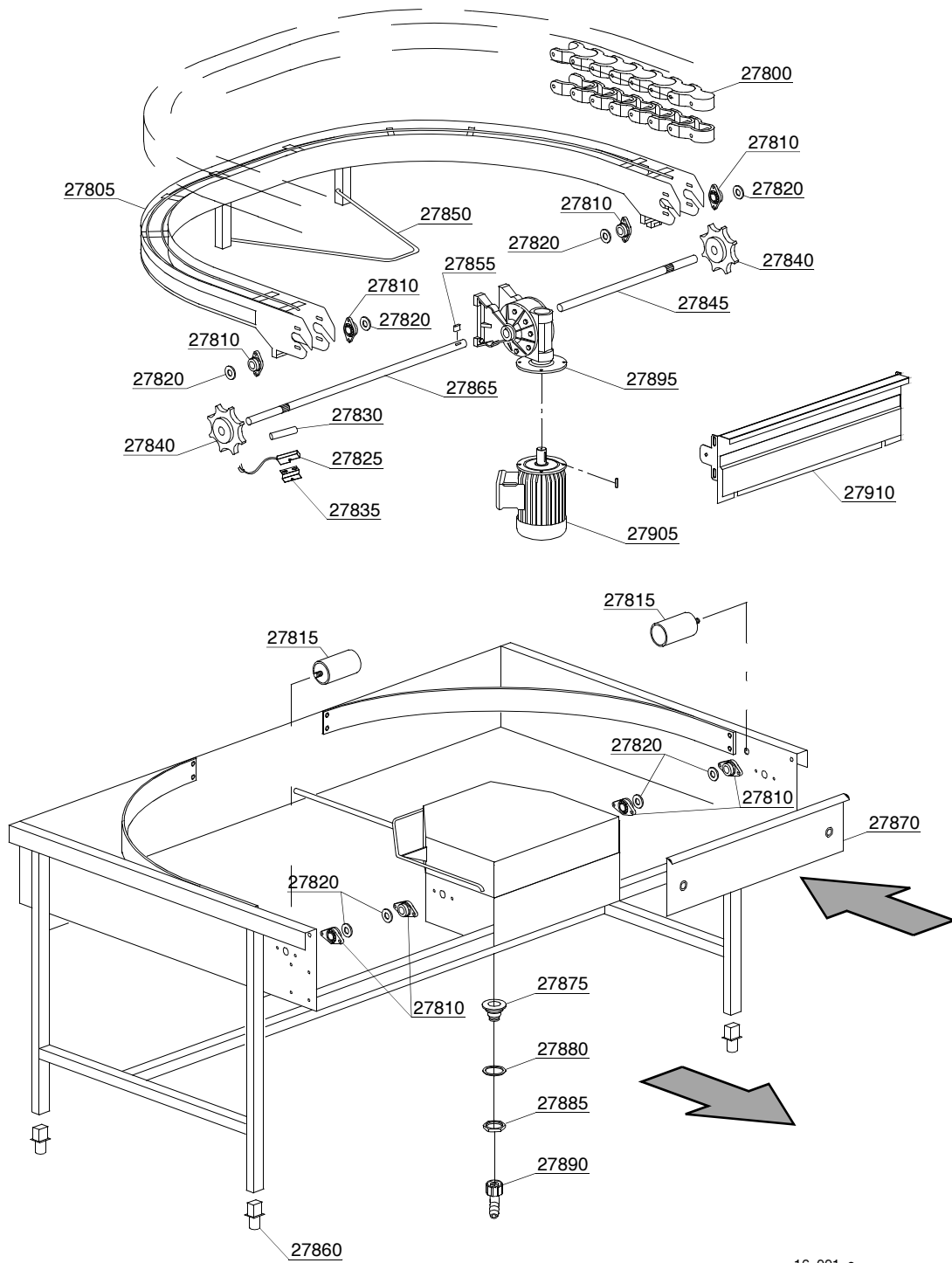
ID	P-code	Model	Type	Accessory	Voltage	Description
MODULE:Motorized curve 90° - LC 97/2: electric parts						
27400	3000264		26	972,974		Emergency box
27405	3000263		26	972,974		Emergency switch
27410	3002059		26	972,974		1R contact
27415	3006080		26	972,974		Auxiliary contact LMS25
27420	2000370		26	972,974		Contactora MC9
27425	2000390		26	972,974		Motorprotector 1 - 1.6A
27430	3006134		26	972,974		Flame-retardant cable 4x1,5mm
27435	3006136		26	972,974		Flame-retardant cable 3x1mm



15_303_e

Spare parts

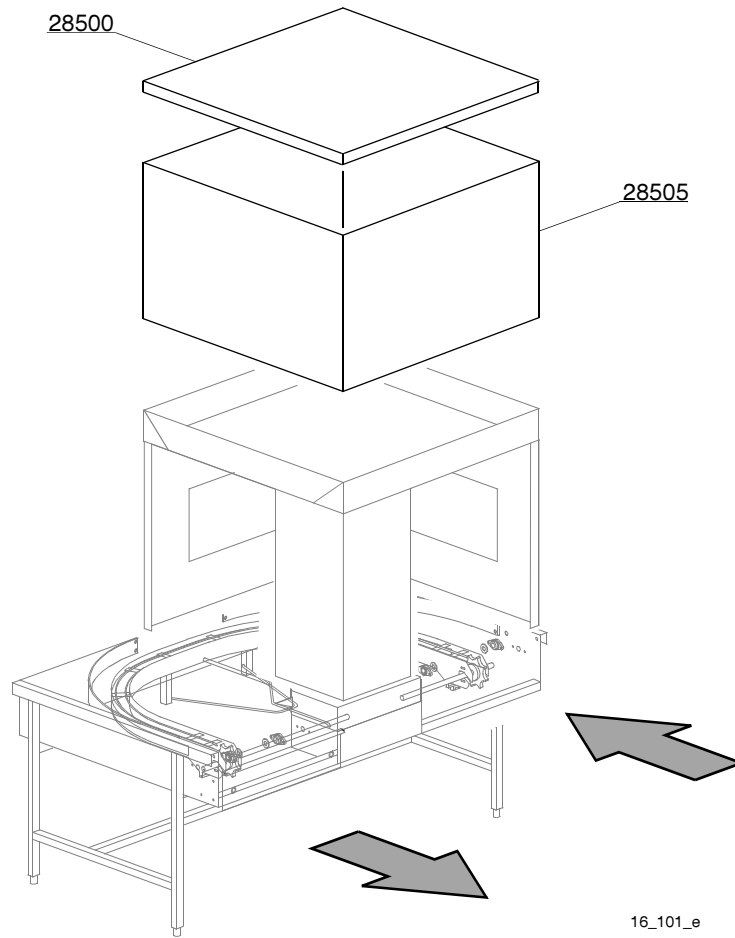
ID	P-code	Model	Type	Accessory	Voltage	Description
MODULE:Motorized curve 90° - LC 97/2: electric parts double speed - remote control						
27600	3000264		26	972,974		Emergency box
27605	3000263		26	972,974		Emergency switch
27610	3002059		26	972,974		1R contact
27615	3006080		26	972,974		Auxiliary contact LMS25
27620	2000370		26	972,974		Contacteur MC9
27625	2000390		26	972,974		Motorprotector 1 - 1.6A
27630	3006134		26	972,974		Flame-retardant cable 4x1,5mm
27635	3006136		26	972,974		Flame-retardant cable 3x1mm
27640	3006092		26	972,974		Clamp 4mm
27645	10300401		26	972,974		Earth clamp 4mm



16_001_e

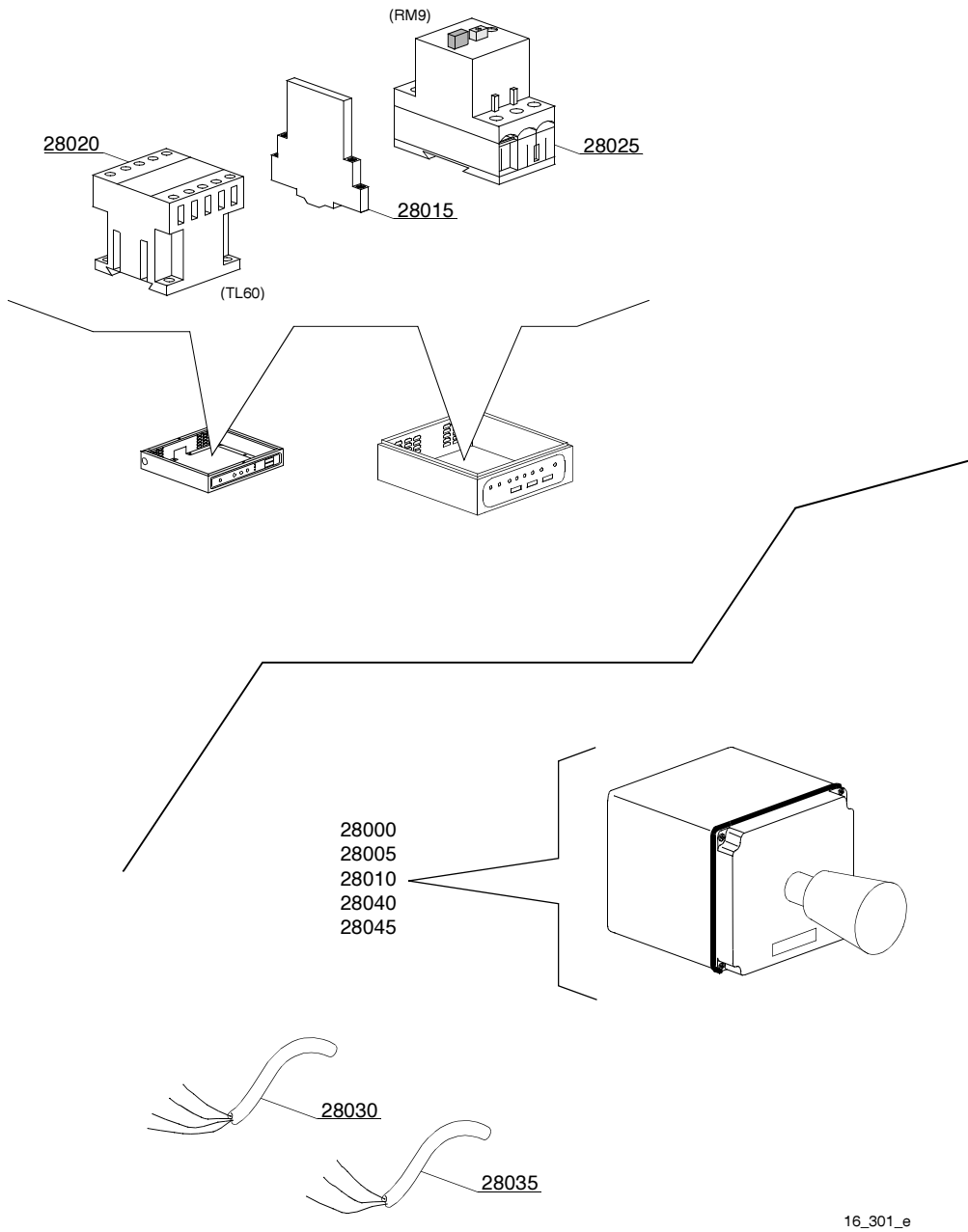
Spare parts

ID	P-code	Model	Type	Accessory	Voltage	Description
MODULE:Motorized curve 180° - LC 97/3						
27800	3000259		26	973,975		Chain for roller
27805	3003056		26	973,975		Kit guide for chain
27810	3000260		26	973,975		Flange for chain
27815	3000262		26	973,975		Ø50x80 embossment roller
27820	3003048		26	973,975		Spacer for bearings
27825	3003112		26	973,975		Door microswitch
27830	80232		26	973,975		Magnet for reed
27835	3009112		26	973,975		Holder for reed micro door
27840	3000261		26	973,975		8 teeth pinion
27845	3003051		26	973,975		Neutral shaft for chain
27850	3003053		26	973,975		Lifting arm for chain guide
27855	2001045		26	973,975		6x6x25 machine key
27860	3000252		26	973,975		Adjustable food
27865	3003047		26	973,975		Shaft for chain rotation
27870	3009609		26	973,975		Protection panel
27875	10200113		26	973,975		Floor drain
27880	10200173		26	973,975		75x58x2 gasket
27885	10200114		26	973,975		Drain floor nut
27890	15613		26	973,975		"1" 1/4x30 nylon elbow"
27895	3000250		26	973,975		Gear left 1:70
27905	3000110		26	973,975	A	Conveyor motor
27905	3000109		26	973,975		Conveyor motor
27905	3000251		26	973,975	A	Conveyor motor



Spare parts

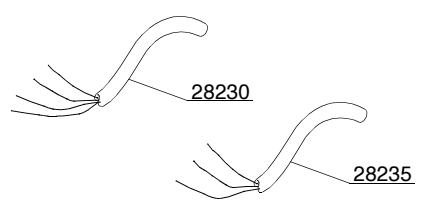
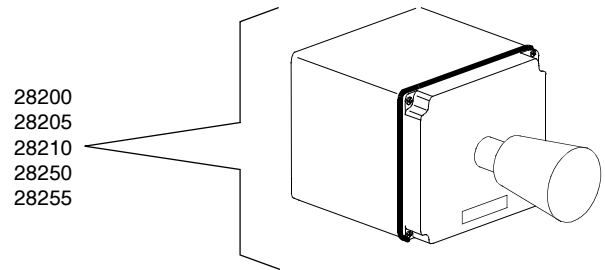
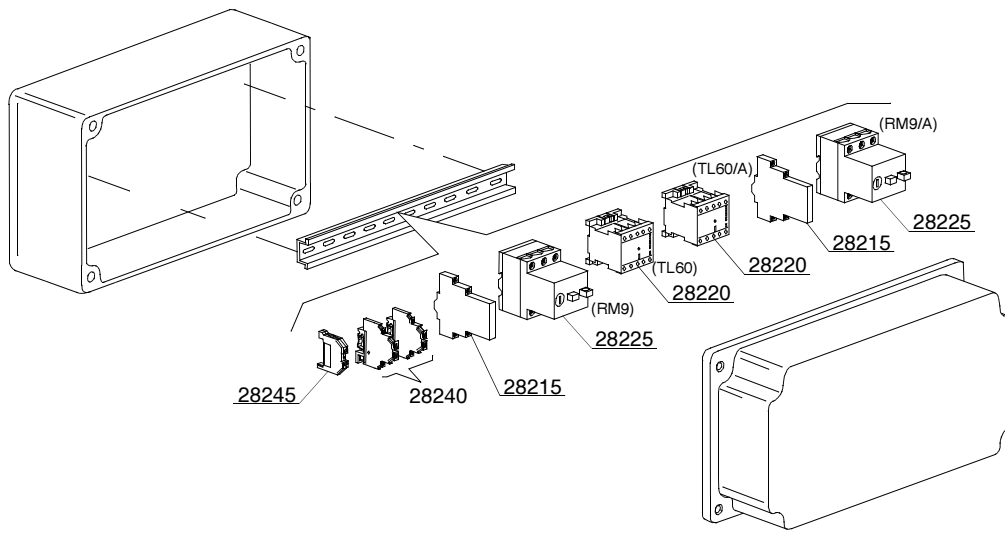
ID	P-code	Model	Type	Accessory	Voltage	Description
MODULE: Dryer motorized curve 180° - LC 97/5						
28500	3009326		26	975		Cover panel
28505	3009511		26	975		Carter



16_301_e

Spare parts

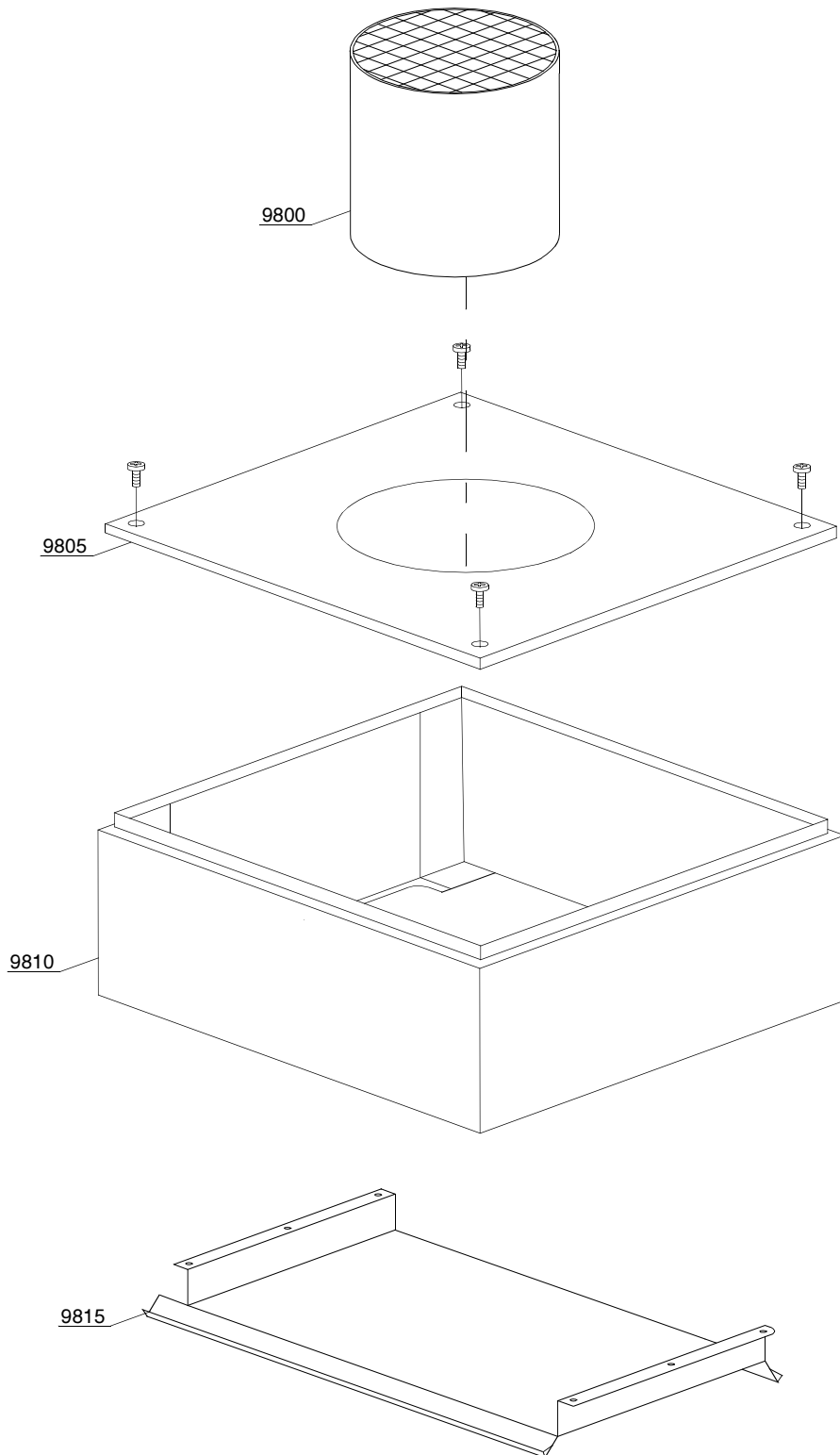
ID	P-code	Model	Type	Accessory	Voltage	Description
MODULE:Motorized curve 180° - LC 97/3: electric parts						
28000	3000264		26	973,975		Emergency box
28005	3000263		26	973,975		Emergency switch
28010	3002059		26	973,975		1R contact
28015	3006080		26	973,975		Auxiliary contact LMS25
28020	2000370		26	973,975		Contacteur MC9
28025	2000390		26	973,975		Motorprotector 1 - 1.6A
28030	3006134		26	973,975		Flame-retardant cable 4x1,5mm
28035	3006136		26	973,975		Flame-retardant cable 3x1mm
28040	3000266		26	973,975		Male connector with support
28045	3000267		26	973,975		Female connector with support



16_303_e

Spare parts

ID	P-code	Model	Type	Accessory	Voltage	Description
MODULE:Motorized curve 180° - LC 97/3: electric parts double speed - remote control						
28200	3000264		26	973,975		Emergency box
28205	3000263		26	973,975		Emergency switch
28210	3002059		26	973,975		1R contact
28215	3006080		26	973,975		Auxiliary contact LMS25
28220	2000370		26	973,975		Contactore MC9
28225	2000390		26	973,975		Motorprotector 1 - 1.6A
28230	3006134		26	973,975		Flame-retardant cable 4x1,5mm
28235	3006136		26	973,975		Flame-retardant cable 3x1mm
28240	3006092		26	973,975		Clamp 4mm
28245	10300401		26	973,975		Earth clamp 4mm
28250	3000266		26	973,975		Male connector with support
28255	3000267		26	973,975		Female connector with support

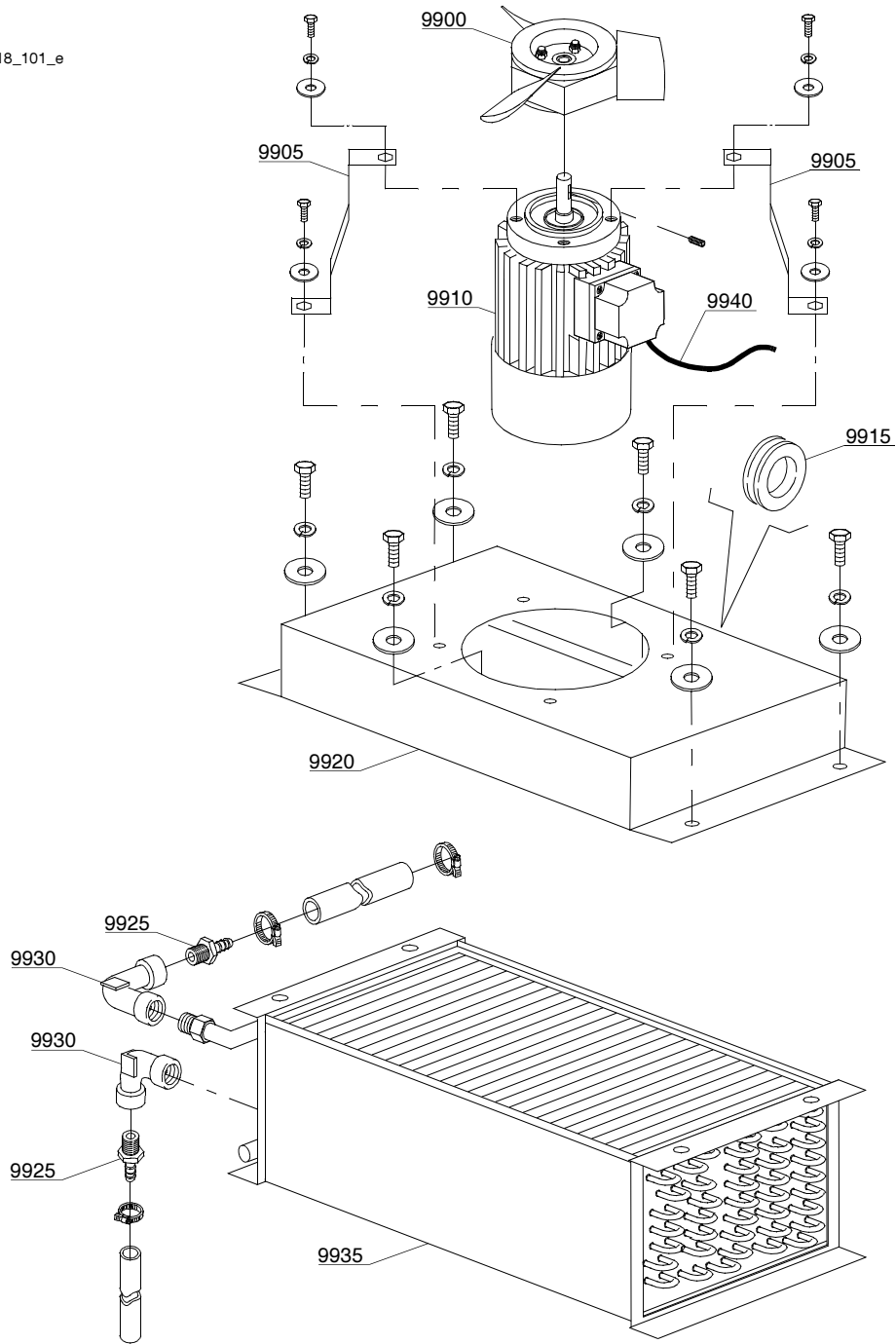


18_001_e

Spare parts

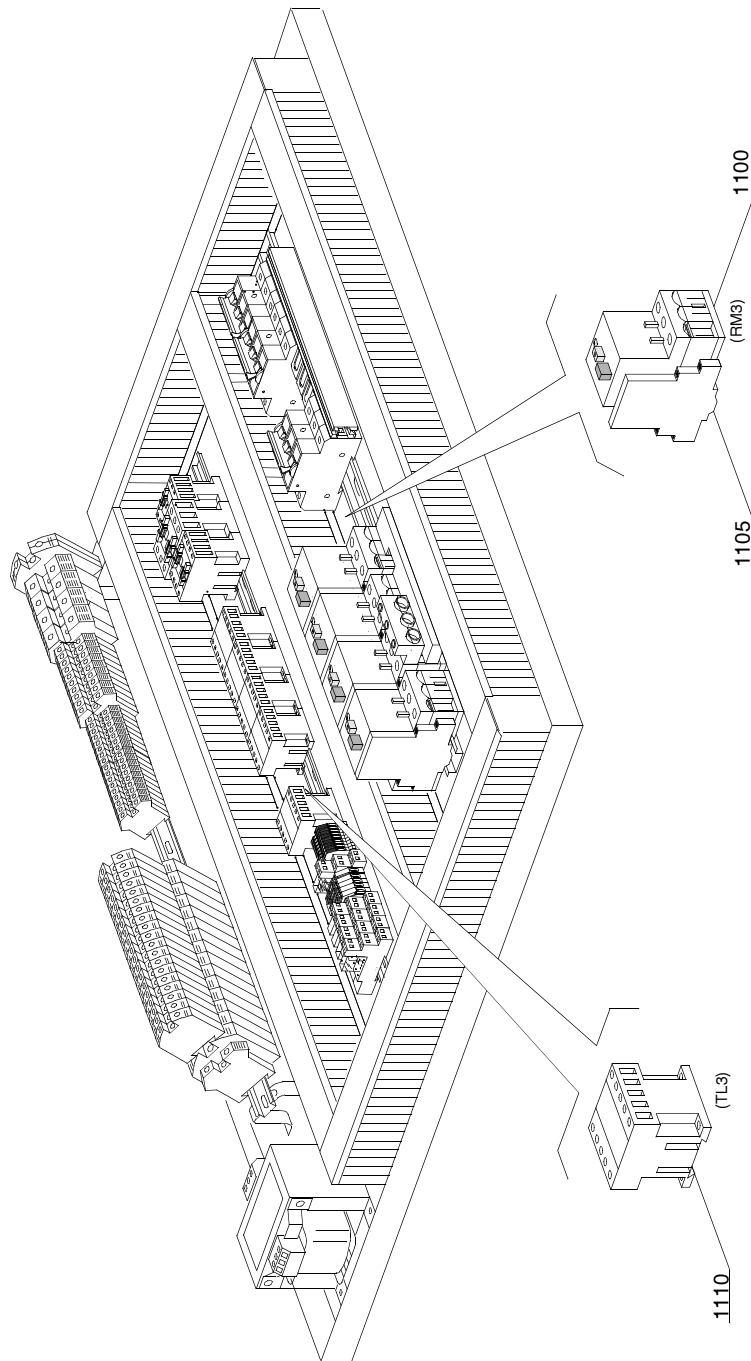
ID	P-code	Model	Type	Accessory	Voltage	Description
MODULE:Steam condenser - part 1						
9800	3009499		26	sc9		Chimney
9805	3009306		26	sc9		Cover with hole
9810	3009502		26	sc9		Complete body
9815	3009090		26	sc9		Suction group

18_101_e



Spare parts

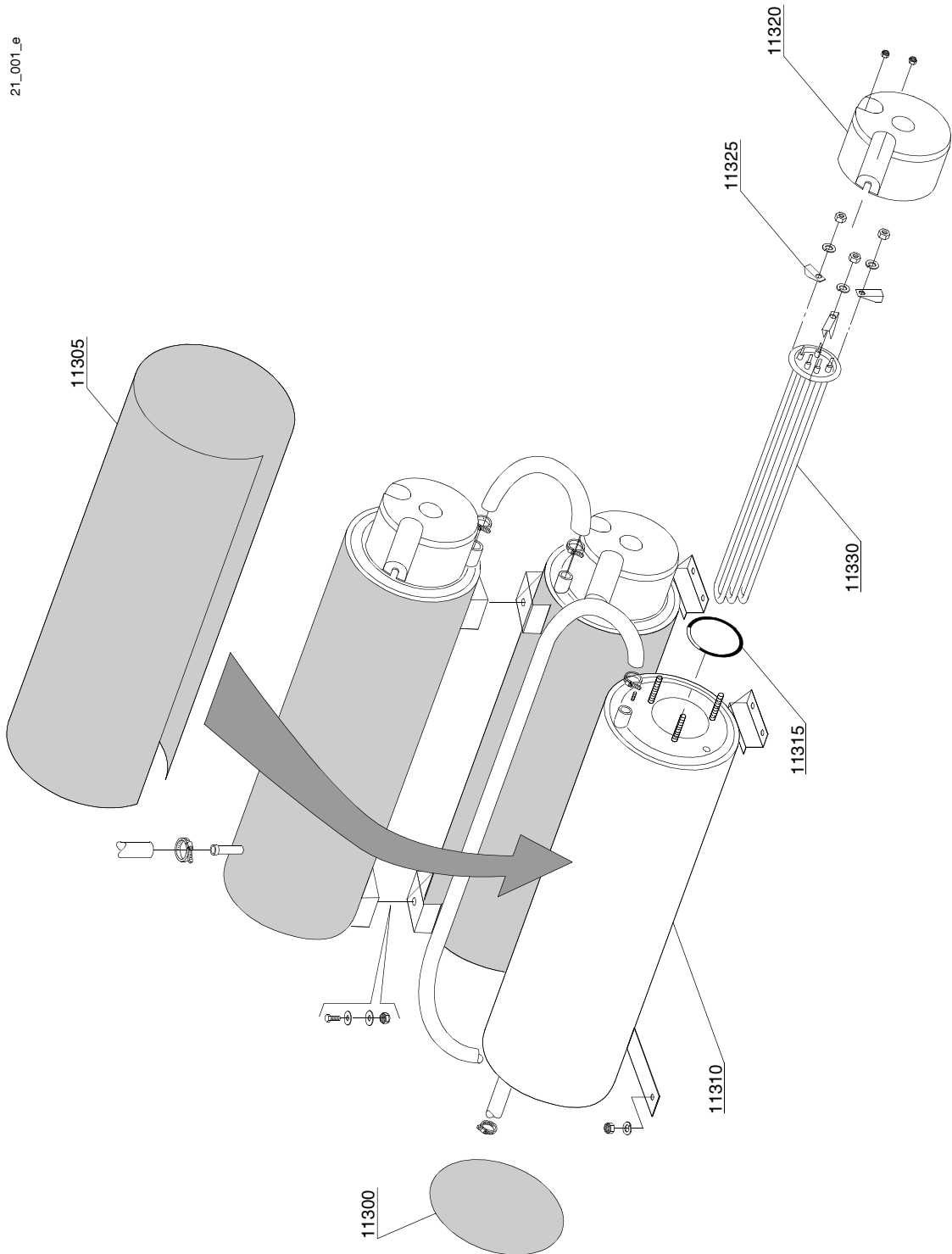
ID	P-code	Model	Type	Accessory	Voltage	Description
MODULE:Steam condenser - part 2						
9900	3000125		26	sc9		Impeller fan
9905	3009106		26	sc9		Motor holder
9910	3000120		26	sc9	A	Motor 0.18KW
9915	13329		26	sc9		Fairlead
9920	3009079		26	sc9		Steam condenser base
9925	12023		26	sc9		Hose holder
9930	3002139		26	sc9		Elbow
9935	3000155		26	sc9		Heating recovery battery
9940	15184		26	sc9		Cable



18_205_e

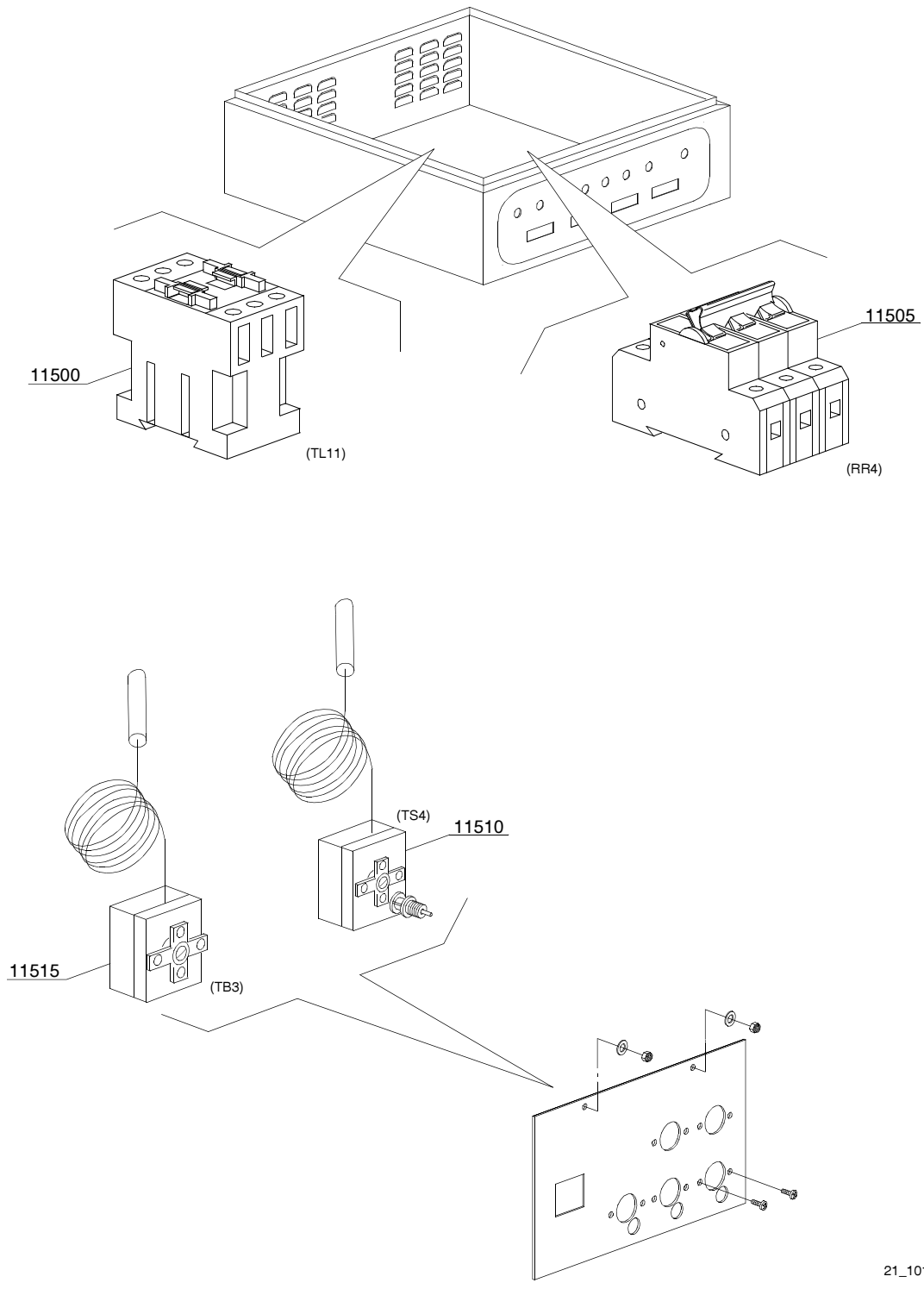
Spare parts

ID	P-code	Model	Type	Accessory	Voltage	Description
MODULE:Steam condenser - part 3						
11100	2000390		26	sc9	A	Motorprotector 1 - 1.6A
11105	3006080		26	sc9	A	Auxiliary contact LMS25
11110	2000370		26	sc9	A	Contactora MC9



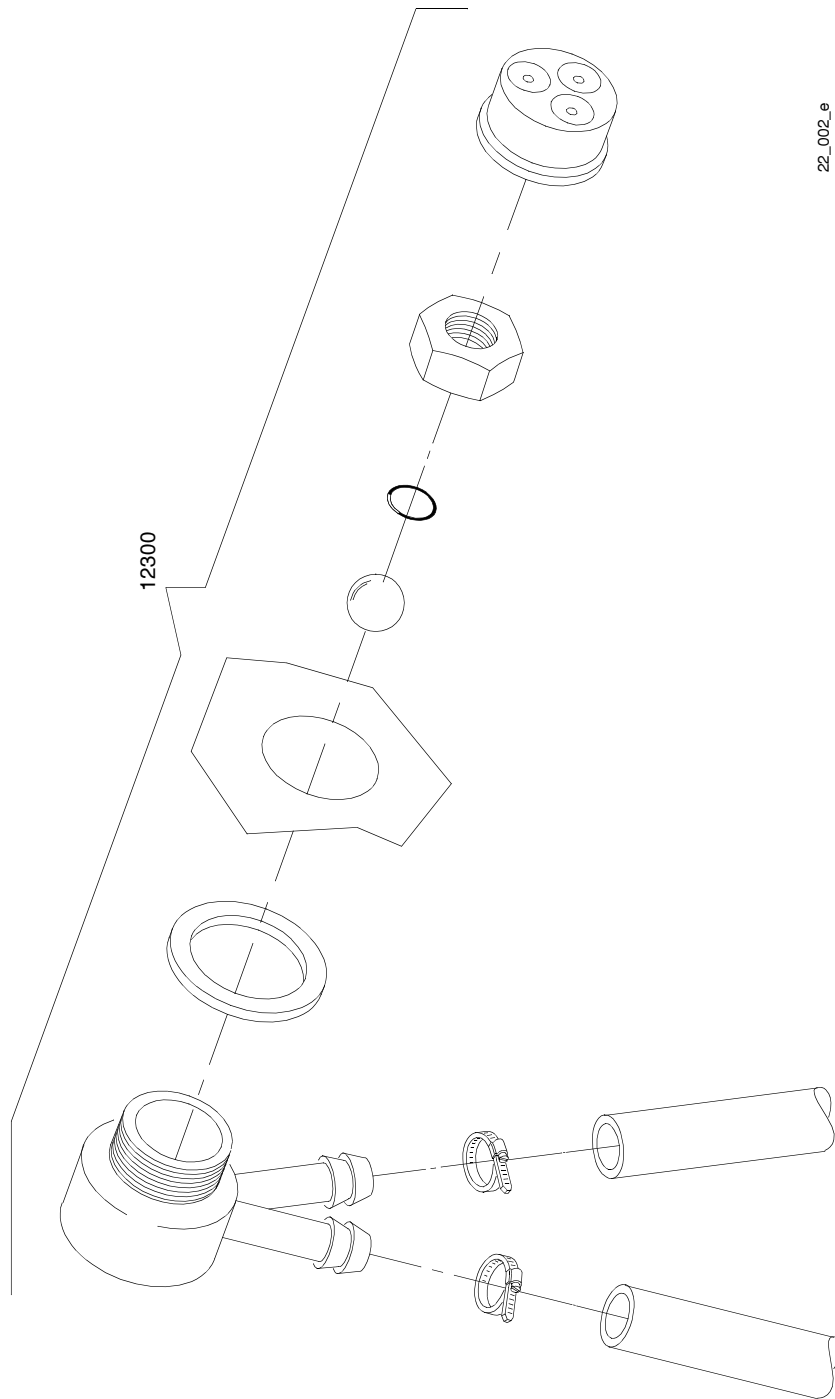
Spare parts

ID	P-code	Model	Type	Accessory	Voltage	Description
MODULE:Additional boiler components						
11300	75205		26	cw		Bottom boiler insulating
11305	30002030		26	cw		Boiler insulating
11310	3007012		26	cw		Boiler
11315	13015		26	cw		O-ring 160 (6225)
11320	75311		26	cw		Heating element cover
11325	16045		26	cw		Heating element support Ø6,3
11330	30001010		26	cw	A	Heating element 6kW
11330	30001011		26	cw	A	Heating element 9kW
11330	30001011/A		26	cw	A	Heating element 12kW
11330	30001011/B		26	cw	A	Heating element 14kW



Spare parts

ID	P-code	Model	Type	Accessory	Voltage	Description
MODULE:Additional boiler: electrical components						
11500	2000380		26	cw	A	Contacteur BF12 (heating element < 9 kW)
11500	2000385		26	cw	A	Contacteur BF20 (heating element > 9 kW)
11505	2000403		26	cw	A	Automatic fuse C20 (heating element < 9 kW)
11505	2000404		26	cw	A	Automatic fuse C25 (heating element > 9 kW)
11510	2000430		26	cw		Safety thermostat
11515	10707/1		26	cw		Thermostat 0 - 90° (TB2)

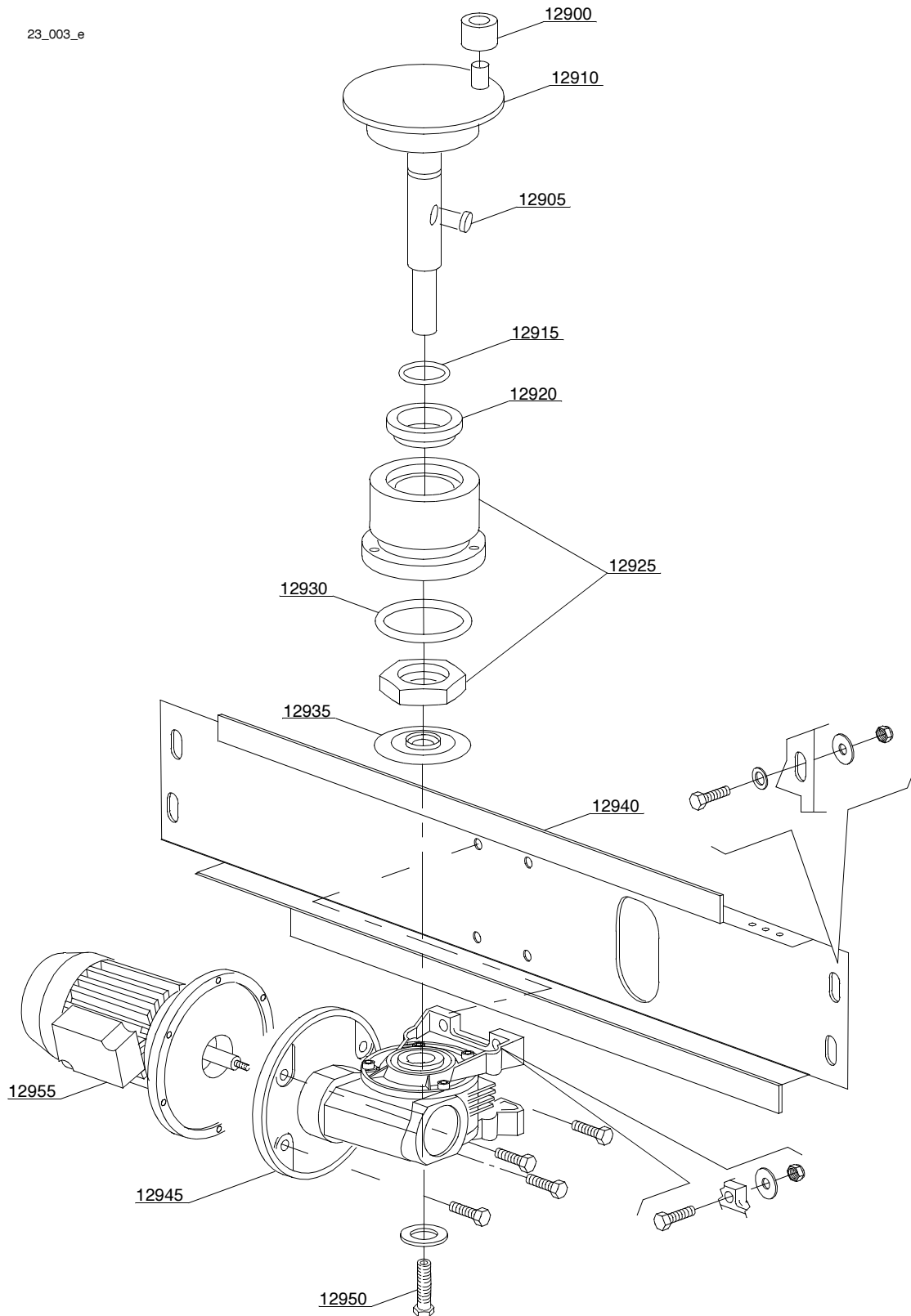


22_002_e

Spare parts

ID	P-code	Model	Type	Accessory	Voltage	Description
MODULE:DVGW valve						
12300	999900006		26	dvgw		DVGW valvola assembly

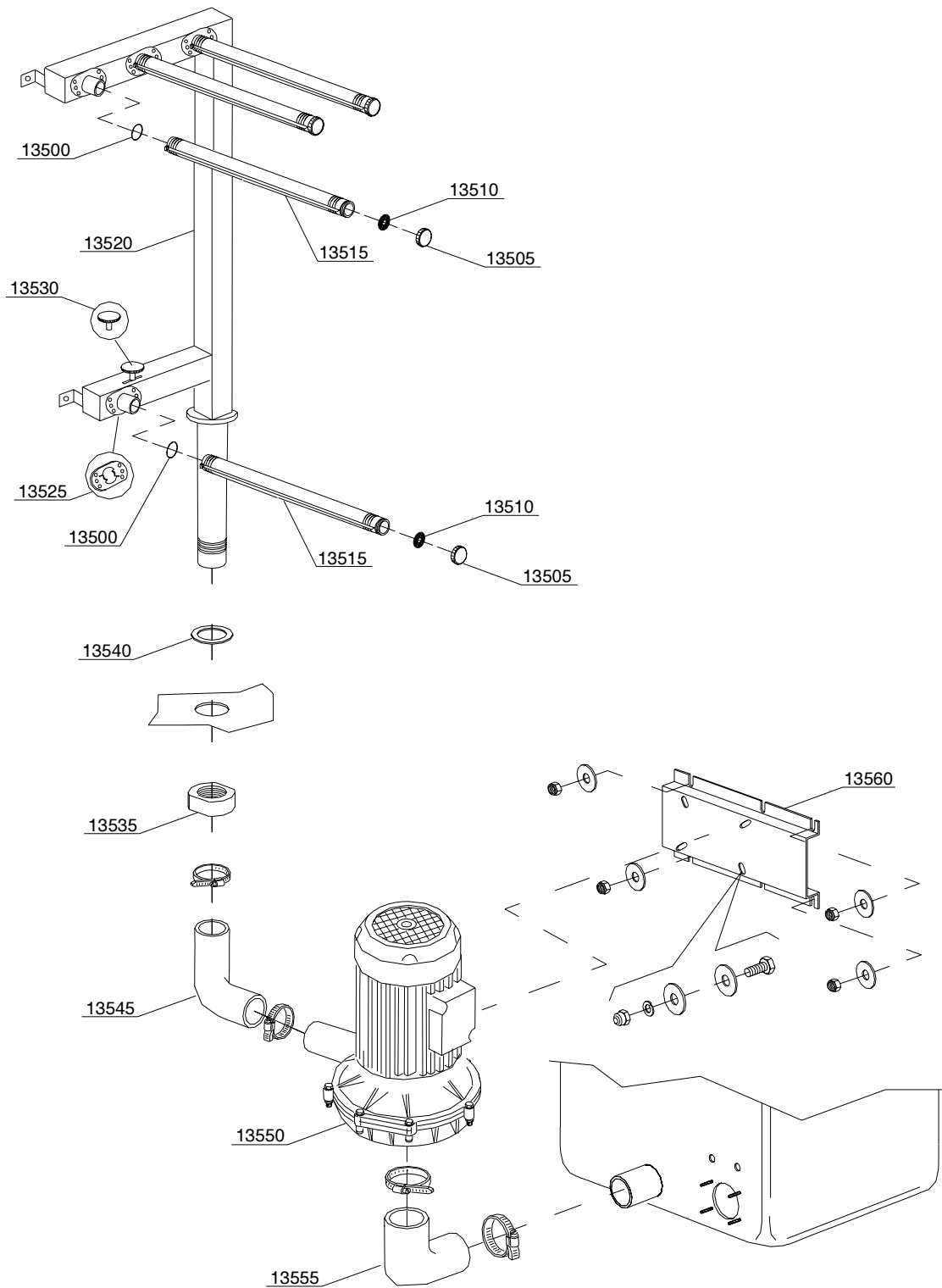
23_003_e



Spare parts

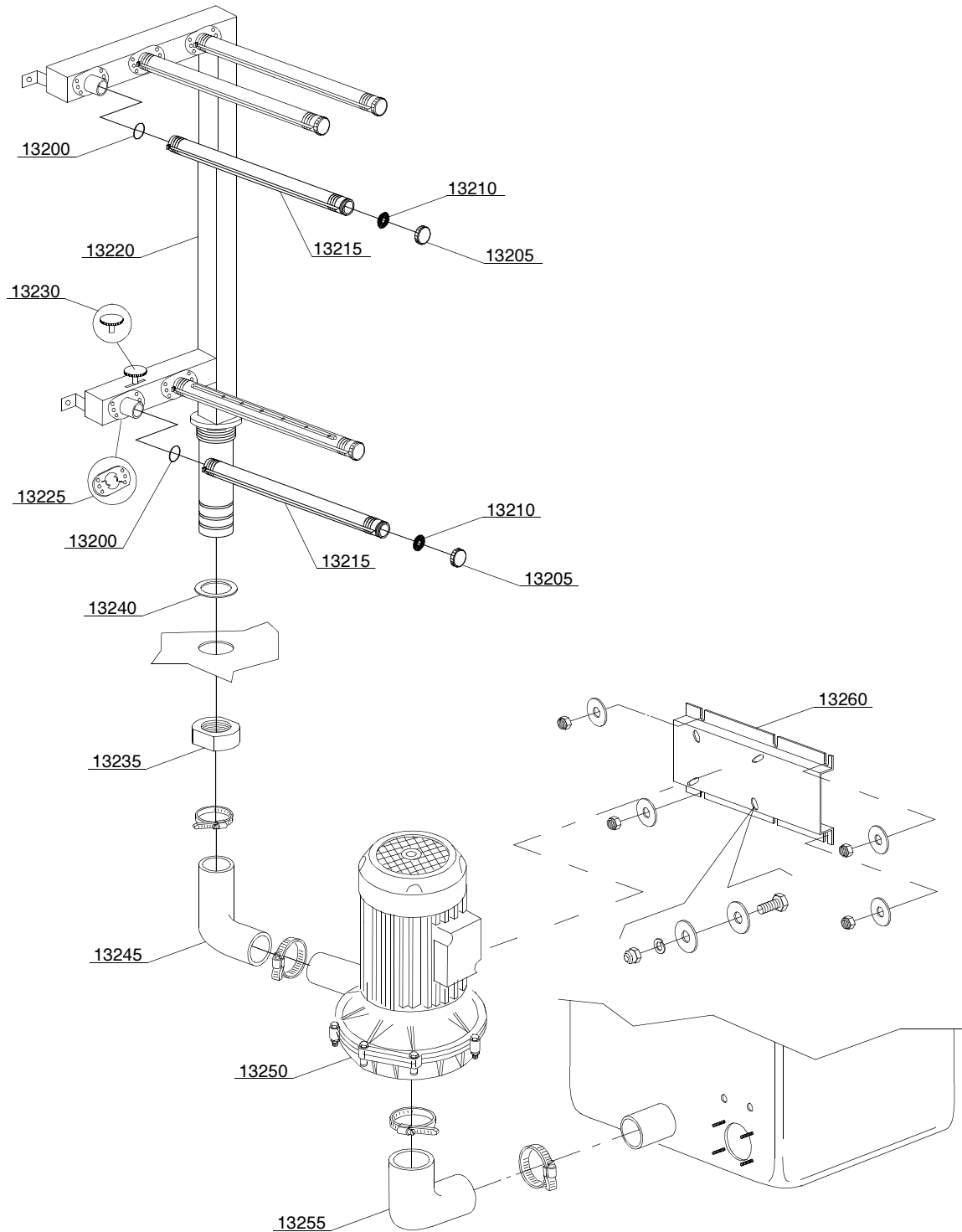
ID	P-code	Model	Type	Accessory	Voltage	Description
MODULE:Motorgear components module 900						
12900	3003012		26			Conveyor roller
12905	2001046		26			Key
12910	3003116		26			Crank shaft
12915	13023		26			O-ring 131 (4093)
12920	13024		26			Oil splash guard DEM 40 TC 30x42x7 with spring
12925	3004131		26			Coupling part serie
12930	13015		26			O-ring 160 (6225)
12935	3004161		26			Protection disk
12940	3009149		26			Motorgear support
12945	3000214		26			Gear right 1:45
12945	3000215		26			Gear left 1:45
12950	11165		26			Screw
12955	3000110		26		A	Conveyor motor
12955	3000109		26			Conveyor motor

24_002_e



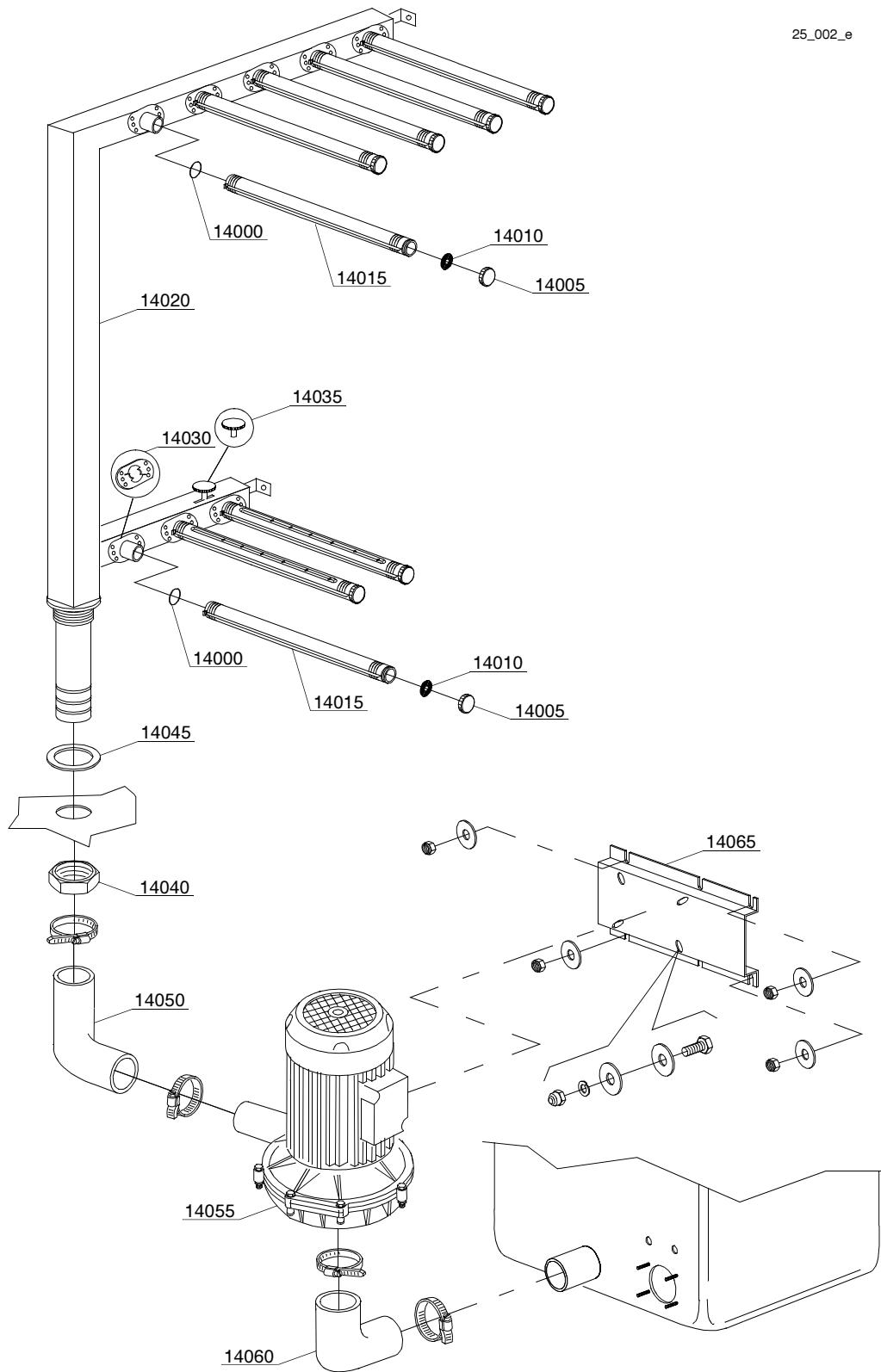
ID	P-code	Model	Type	Accessory	Voltage	Description
MODULE:Prewashing components 3+1						
13500	13023		26			O-ring 131 (4093)
13505	80304		26			Arm plug
13510	80305		26			Gasket
13515	3004147		26			Wash arm
13520	3004151		26			Right wash ramp
13520	3004152		26			Left wash ramp
13525	3004148		26			Arm connection flange
13530	3004146		26			Water flow adjuster
13535	10600012		26			Flat nut
13540	10200173/A		26			Gasket 75x58x3
13545	3004025		26			Elbow coupling press.
13550	3000082		26		A	Pump 0.9kW
13550	3000083		26		H	Pump 0.9kW - 60Hz
13555	3002020		26			Suction elbow coupling
13560	3009148		26			Pump support

24_001_e



ID	P-code	Model	Type	Accessory	Voltage	Description
MODULE:Prewashing components 3+2						
13200	13023		26			O-ring 131 (4093)
13205	80304		26			Arm plug
13210	80305		26			Gasket
13215	3004147		26			Wash arm
13220	3004144		26			Right prewash ramp
13220	3004145		26			Left prewash ramp
13225	3004148		26			Arm connection flange
13230	3004146		26			Water flow adjuster
13235	10600012		26			Flat nut
13240	10200173/A		26			Gasket 75x58x3
13245	3004025		26			Elbow coupling press.
13250	3000082		26		A	Pump 0.9kW
13250	3000083		26		H	Pump 0.9kW - 60Hz
13255	3002020		26			Suction elbow coupling
13260	3009148		26			Pump support

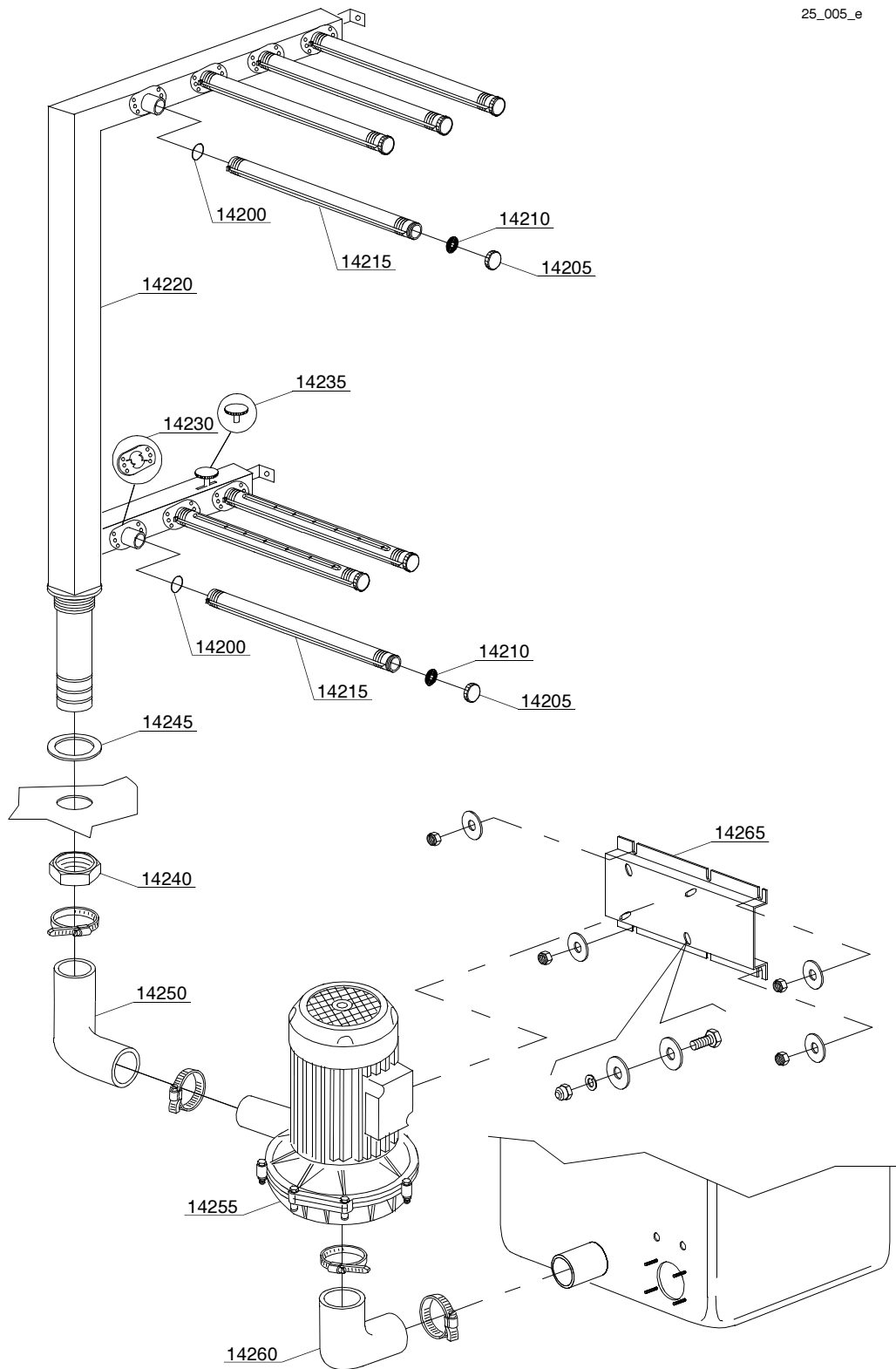
25_002_e



Spare parts

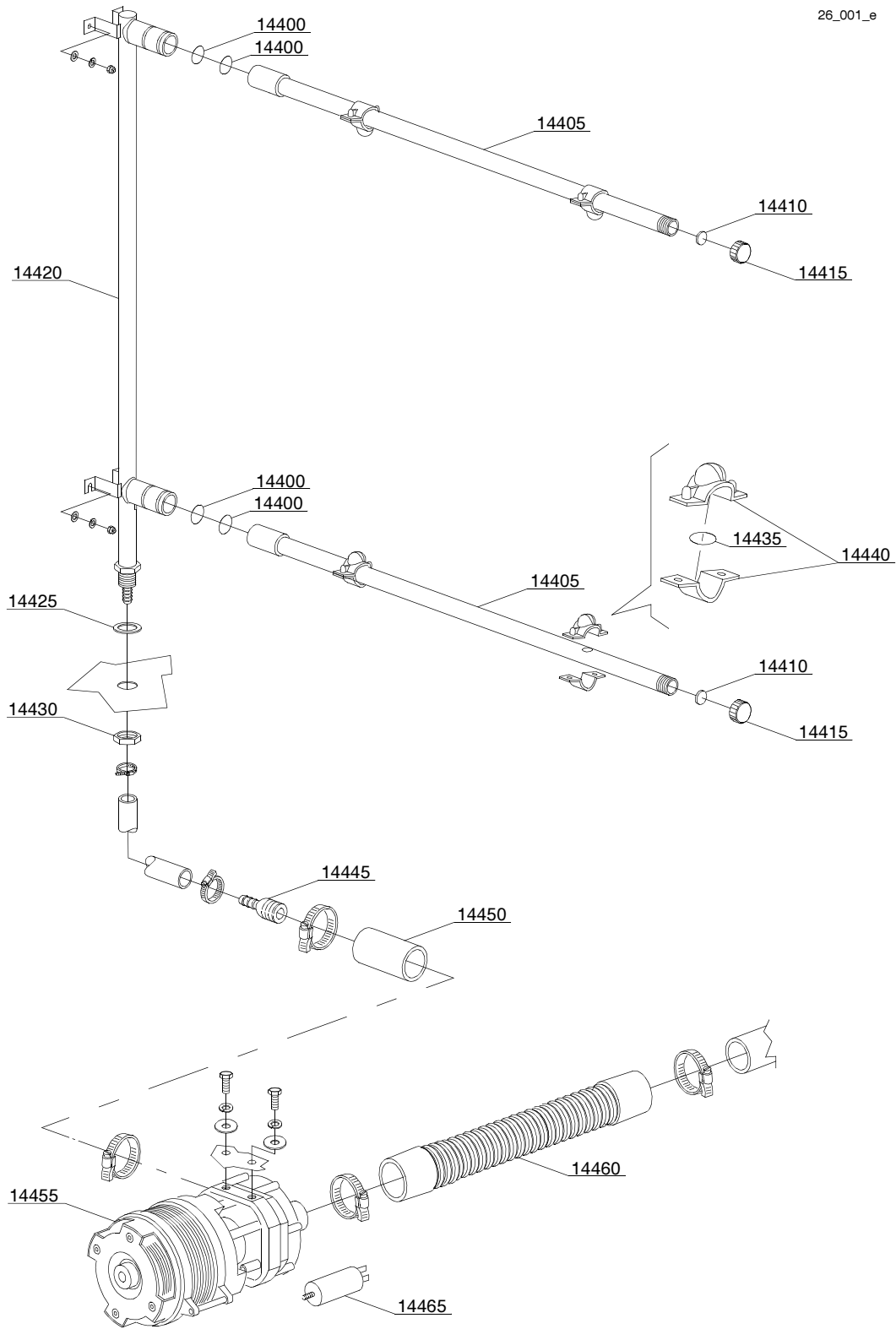
ID	P-code	Model	Type	Accessory	Voltage	Description
MODULE:Washing components 5+3						
14000	13023		26			O-ring 131 (4093)
14005	80304		26			Arm plug
14010	80305		26			Gasket
14015	3004147		26			Wash arm
14020	3004142		26			Right wash ramp
14020	3004143		26			Left wash ramp
14030	3004148		26			Arm connection flange
14035	3004146		26			Water flow adjuster
14040	10600012		26			Flat nut
14045	10200173/A		26			Gasket 75x58x3
14050	3004025		26			Elbow coupling press.
14055	88106		26		A	Pump 2 kW
14055	88106/B		26		H	Pump 2 kW - 220/380-415 V 60Hz
14055	88106/E		26			Pump 2 kW - 240/415 V 50Hz
14060	3002020		26			Suction elbow coupling
14065	3009113		26			Pump support

25_005_e



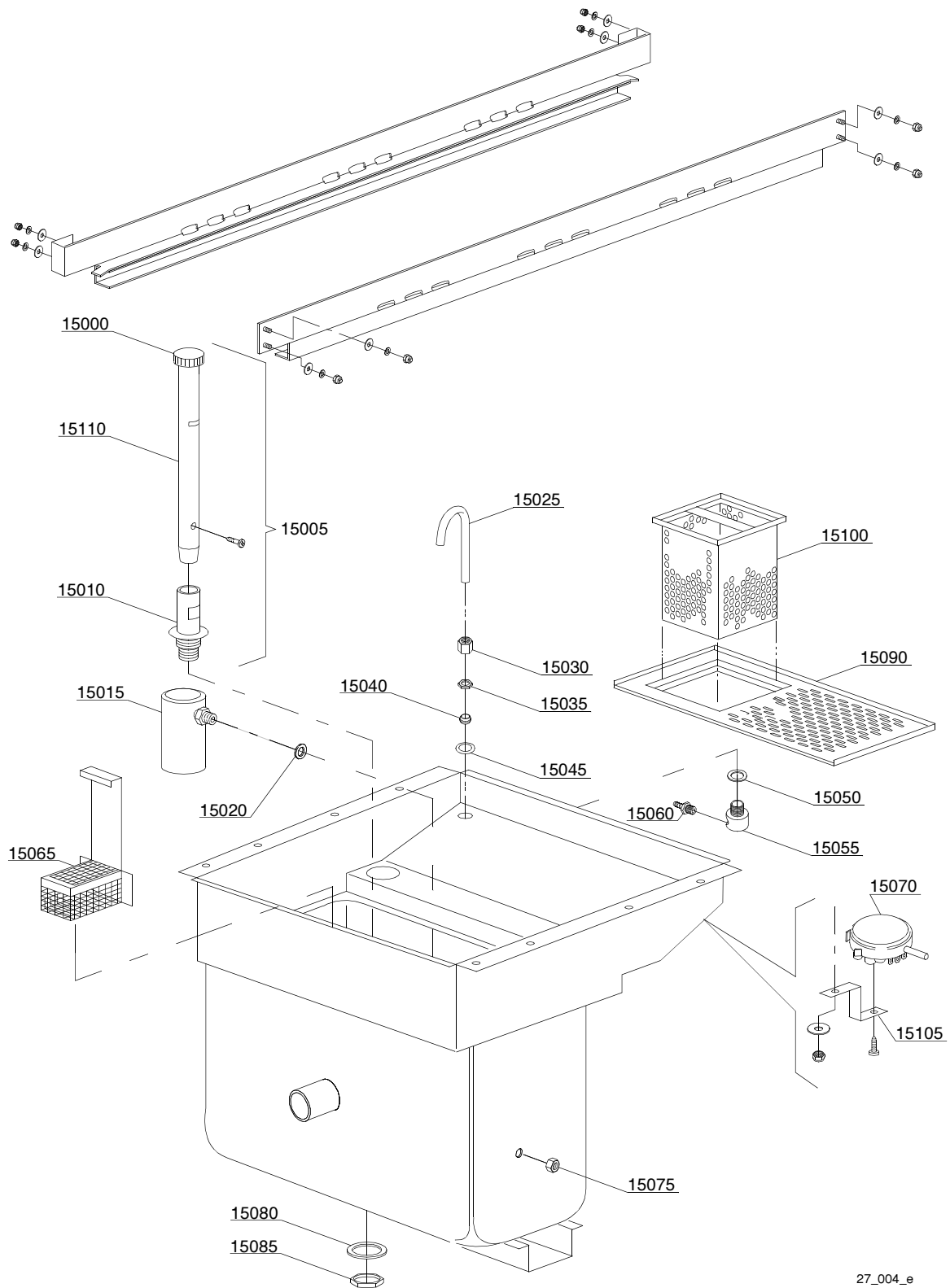
Spare parts

ID	P-code	Model	Type	Accessory	Voltage	Description
MODULE:Washing components 4+3						
14200	13023		26			O-ring 131 (4093)
14205	80304		26			Arm plug
14210	80305		26			Gasket
14215	3004147		26			Wash arm
14220	3004149		26			Right wash ramp
14220	3004150		26			Left wash ramp
14230	3004148		26			Arm connection flange
14235	3004146		26			Water flow adjuster
14240	10600012		26			Flat nut
14245	10200173/A		26			Gasket 75x58x3
14250	3004025		26			Elbow coupling press.
14255	22037		26		A	Pump 1.5 kW
14255	22037/3		26		H	Pump 1.5 kW - 60 Hz
14260	3002020		26			Suction elbow coupling
14265	3009113		26			Pump support



Spare parts

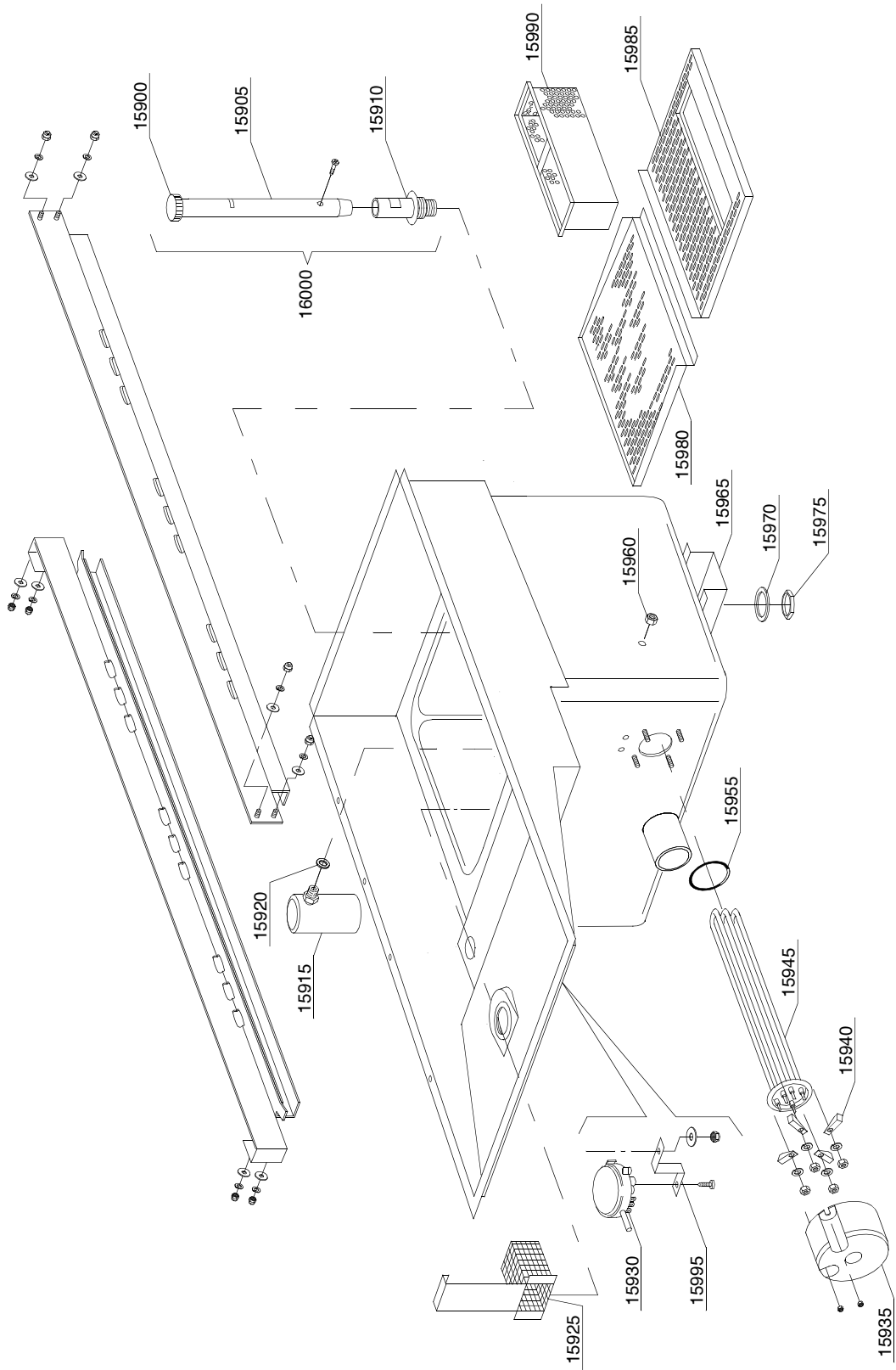
ID	P-code	Model	Type	Accessory	Voltage	Description
MODULE:Prerinsing components						
14400	13025		26			O-ring 2081
14405	3003903		26			Prewashing arm 2 nozzle
14410	2002051		26			Gasket EPDM 17.5x1.5
14415	2002054		26			Plug for arm
14420	3003953		26			Prerinsing ramp
14425	13326		26			Gasket 38x27x2
14430	2200103		26			Nut
14435	13009		26			O-ring 2050
14440	10746/A		26			Nozzle pr
14445	3003063		26			Hose connection
14450	10718		26			Pump elbow
14455	10501/C		26		A	Prerinsing pump 100W
14460	18767/A		26			Coupling
14465	10702		26			5 uF condenser



27_004_e

Spare parts

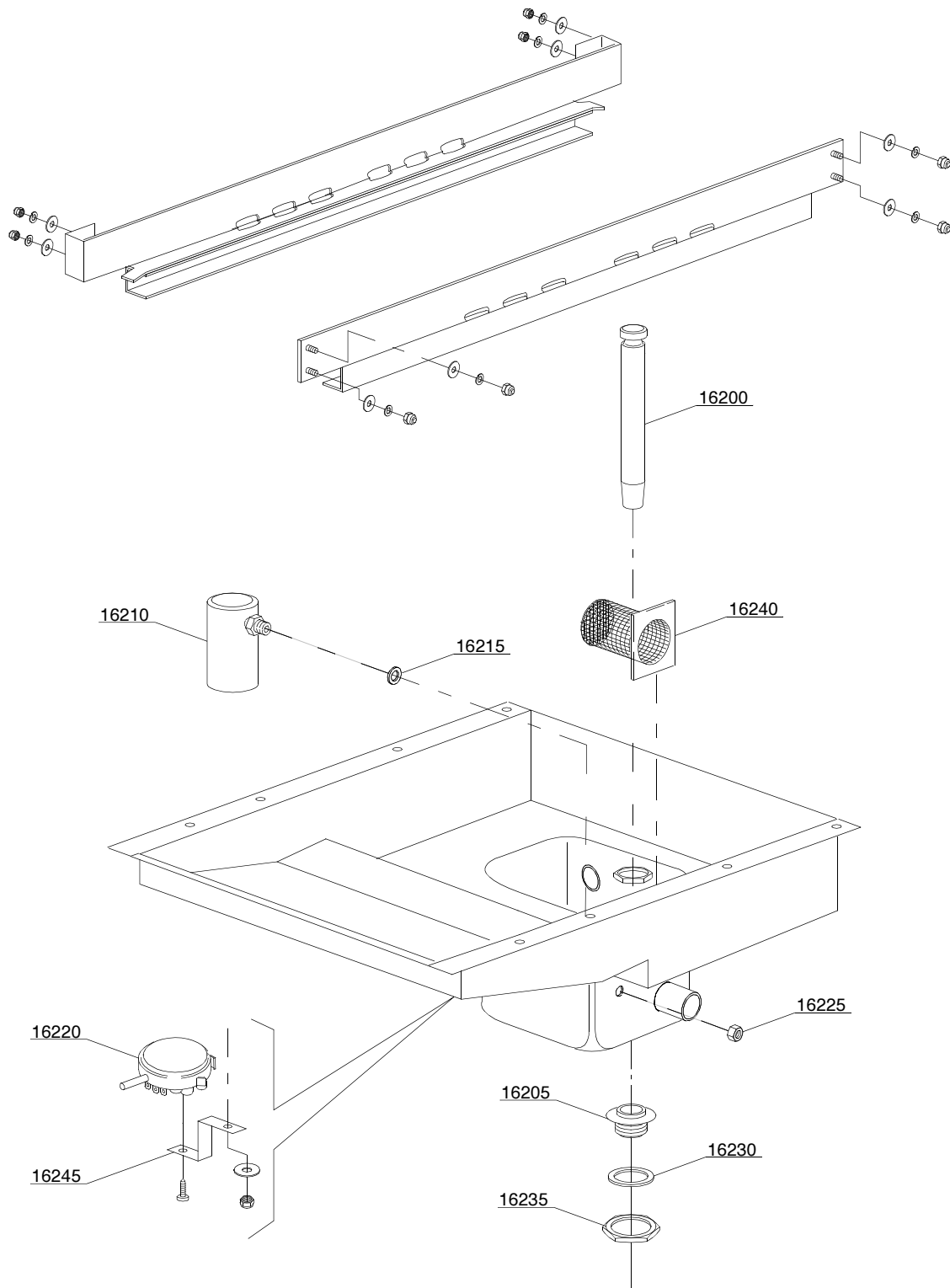
ID	P-code	Model	Type	Accessory	Voltage	Description
MODULE:Internal components prewashing module 600						
15000	88105		26			Overflow pipe plug
15005	3004100		26			Overflow pipe assembly
15010	3004099		26			Overflow device support
15015	80106		26			Air trap
15020	13301		26			Gasket ROLMART 14x8x1.5
15025	3004054		26			Inlet pipe
15030	10600016		26			Nut
15035	10200101		26			Nut
15040	10200182		26			Cone
15045	3009387		26			Washer
15050	10200171		26			Gasket FASIT 25x17x2
15055	80231		26			Fitting
15060	12005		26			Hose holder
15065	3019071		26			Pump suction-filter
15070	88110		26			Pressure switch (260-30)
15075	11702		26			Nut
15080	10200173		26			Gasket 75x58x3
15085	10600012		26			Flat nut
15090	3009565		26			Strainer plate left
15090	3009566		26			Strainer plate right
15100	88302		26			Scrap tray
15105	3009363		26			Pressure switch support
15110	3004097		26			Overflow pipe



27_003_e

Spare parts

ID	P-code	Model	Type	Accessory	Voltage	Description
MODULE:Internal components washing module 900						
15900	88105		26			Overflow pipe plug
15905	3004094		26			Overflow pipe
15910	3004099		26			Overflow device support
15915	80106		26			Air trap
15920	13301		26			Gasket ROLMART 14x8x1.5
15925	3019071		26			Pump suction-filter
15930	88110		26			Pressure switch (260-30)
15935	75311		26			Heating element cover
15940	16045		26			Heating element support Ø6.3
15945	30001011		26		A	Heating element 9kW
15945	30001011/A		26		A	Heating element 12kW
15945	30001011/B		26		A	Heating element 14kW
15955	13015		26			O-ring 160 (6225)
15960	11702		26			Nut
15965	3009299		26			Tank support
15970	10200173		26			Gasket 75x58x3
15975	10600012		26			Flat nut
15980	3009567		26			Strainer plate, back
15985	3019074		26			Strainer plate front
15990	3019065		26			Scrap tray
15995	3009363		26			Pressure switch support
16000	3004101		26			Overflow pipe assembly

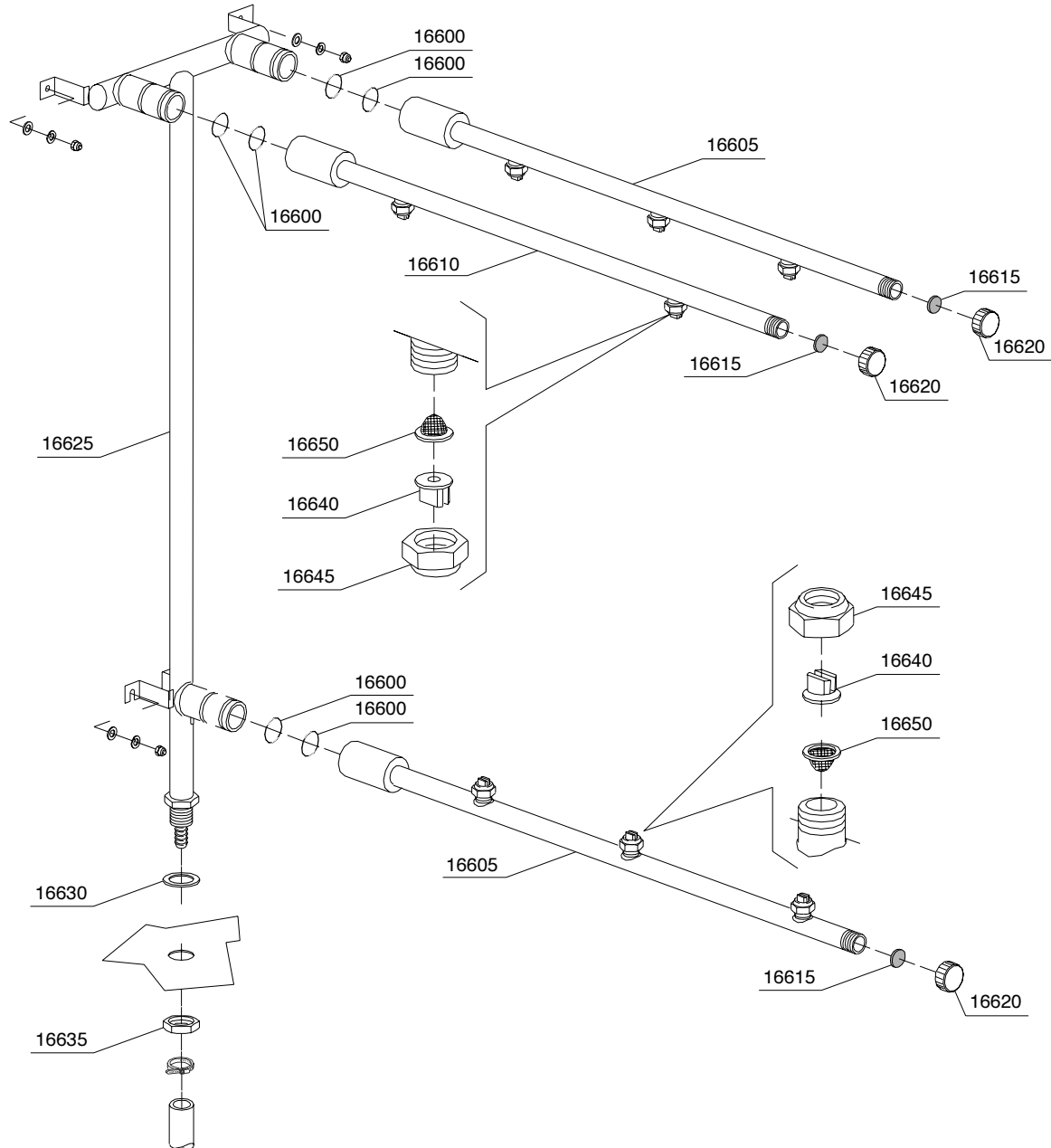


27_005_e

Spare parts

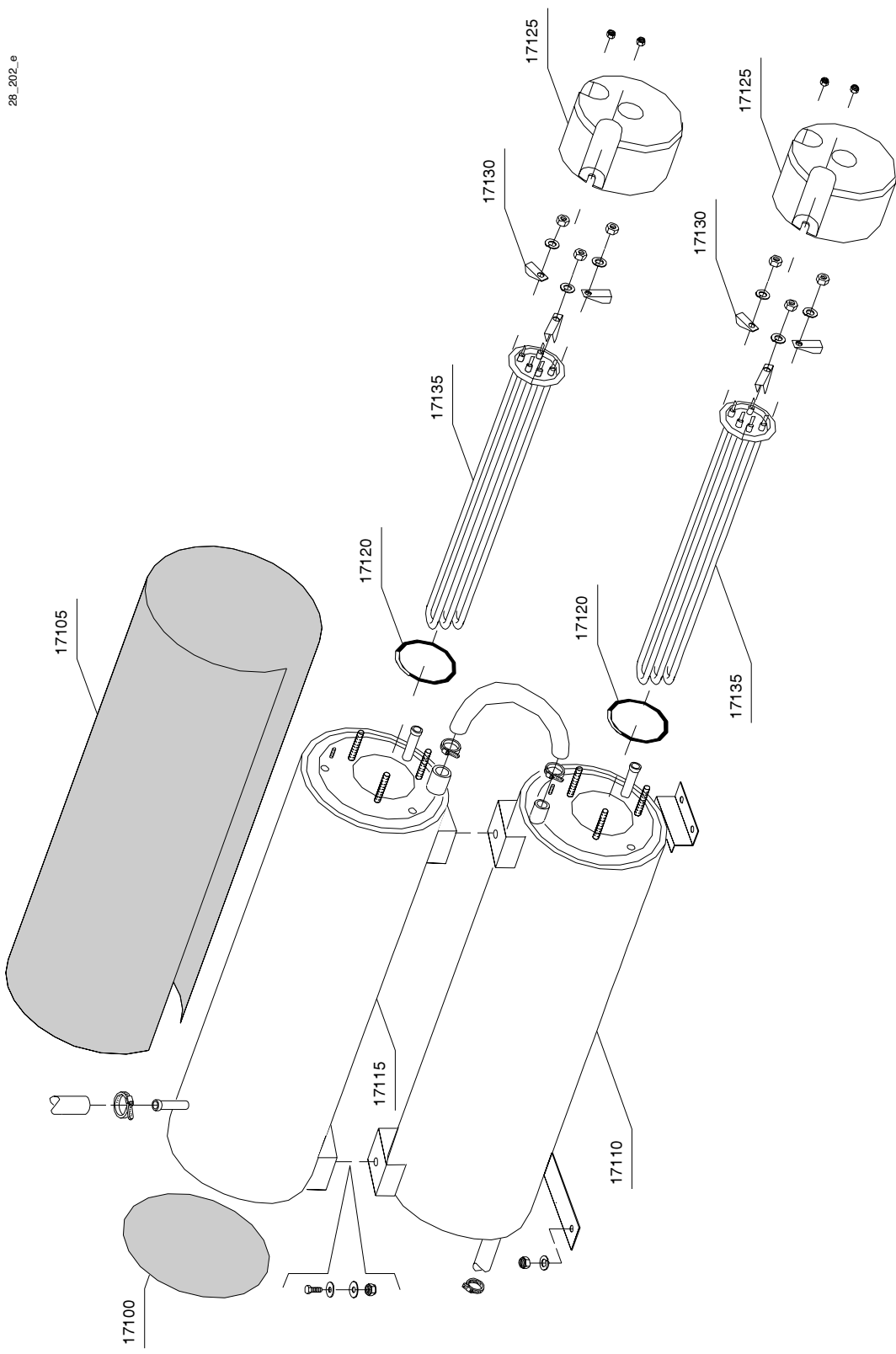
ID	P-code	Model	Type	Accessory	Voltage	Description
MODULE:Internal components rinsing module 600						
16200	3004089		26			Tank plug
16205	15063		26			Stainless steel floor drain
16210	80106		26			Air trap
16215	13301		26			Gasket ROLMART 14x8x1.5
16220	10706/A		26			Pressure switch (55-30)
16225	11702		26			Nut
16230	13305		26			Gasket 44x32x3
16235	11701/A		26			Nut
16240	10914		26			Pump filter
16245	3009363		26			Pressure switch support

28_002_e

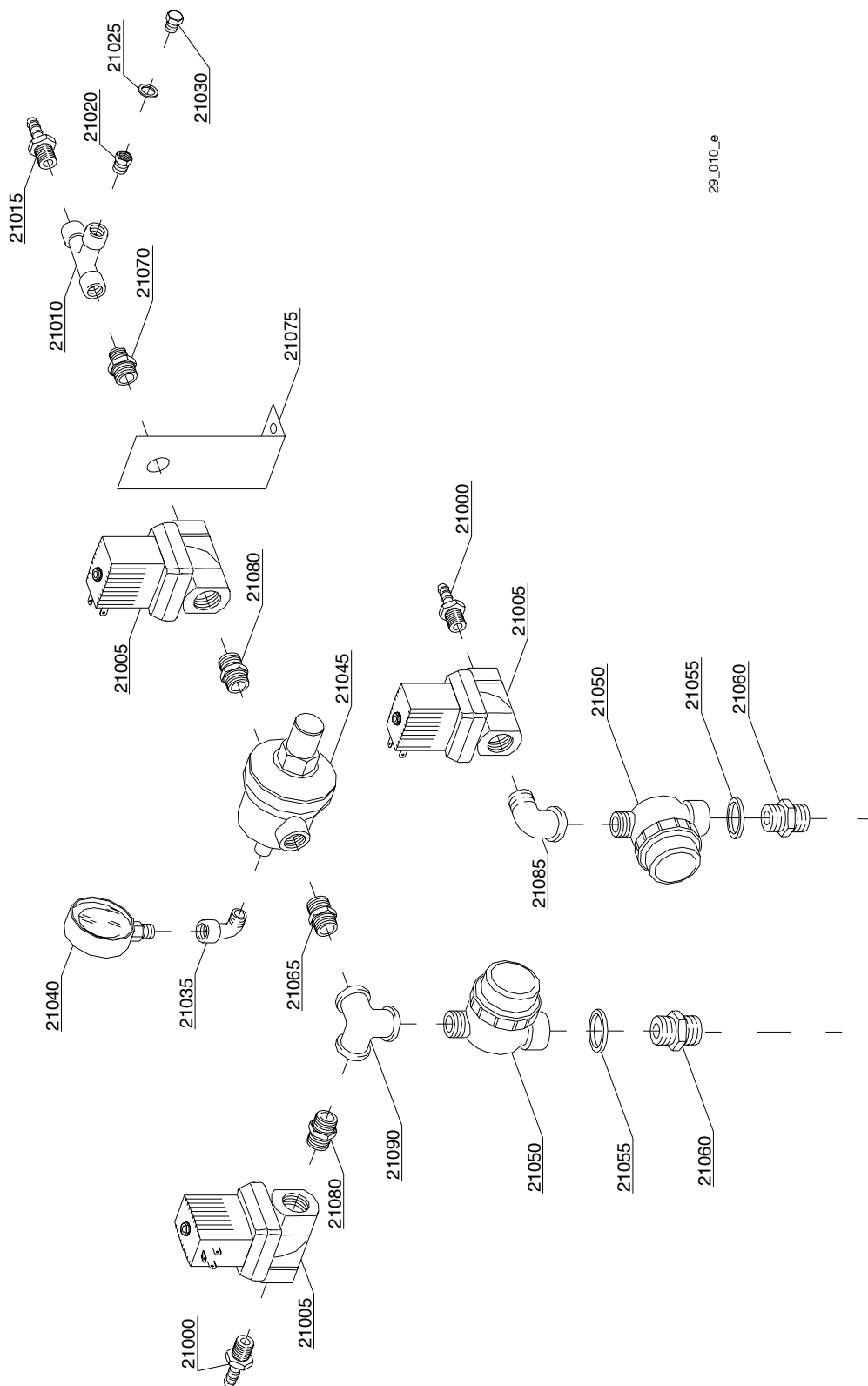


Spare parts

ID	P-code	Model	Type	Accessory	Voltage	Description
MODULE:Rinsing components						
16600	13025		26			O-ring 2081
16605	3003902		26			Rinsing arm 3 nozzle
16610	3003901		26			Rinsing arm 2 nozzle
16615	2002051		26			Gasket EPDM 17.5x1.5
16620	2002054		26			Plug for arm
16625	3003952		26			Rinsing ramp
16630	13326		26			Gasket 38x27x2
16635	2200103		26			Nut
16640	2200114		26			Nozzle
16645	2200116		26			Nut
16650	2200117		26			Filter



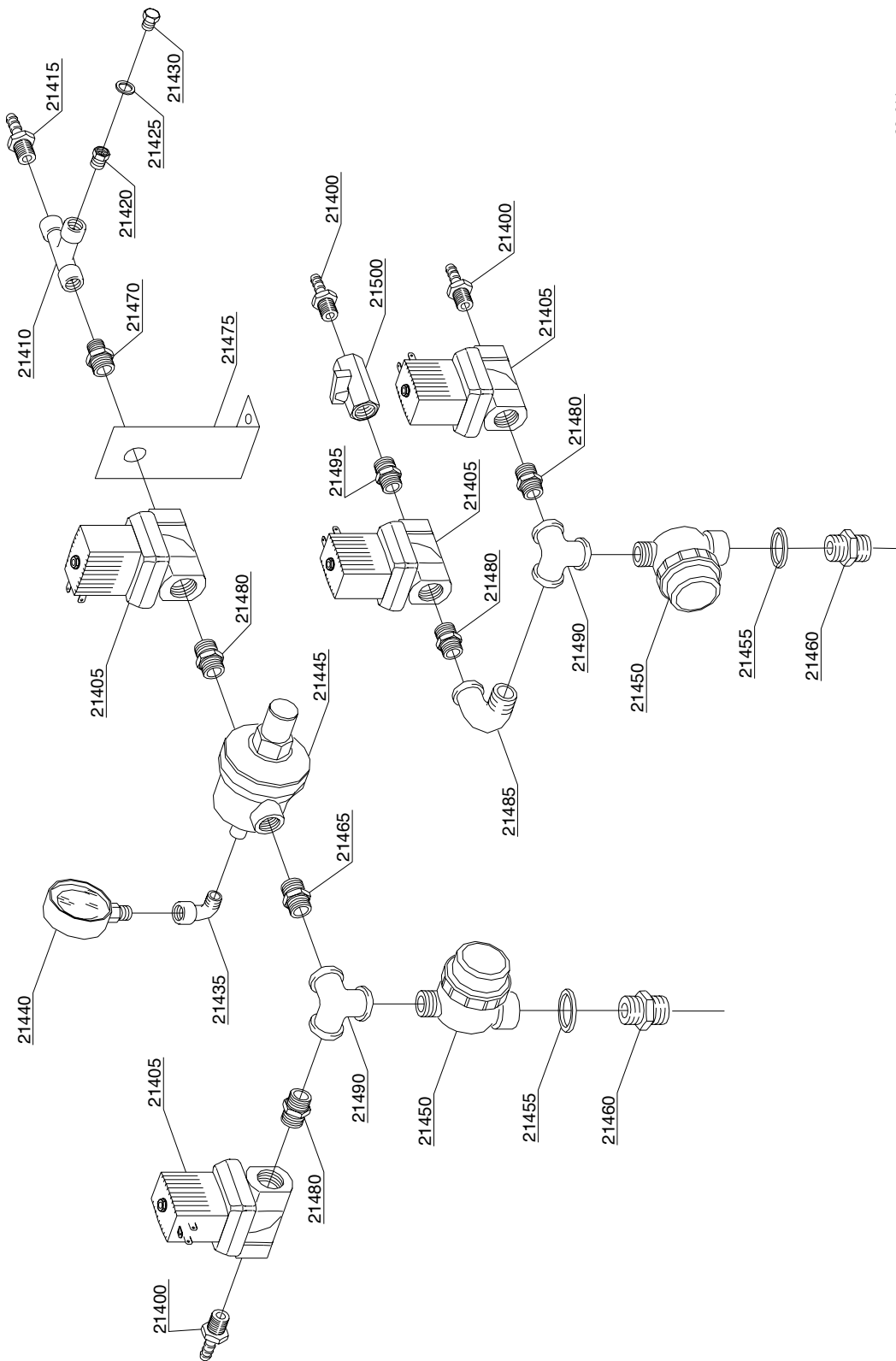
28_202_e



29_010_e

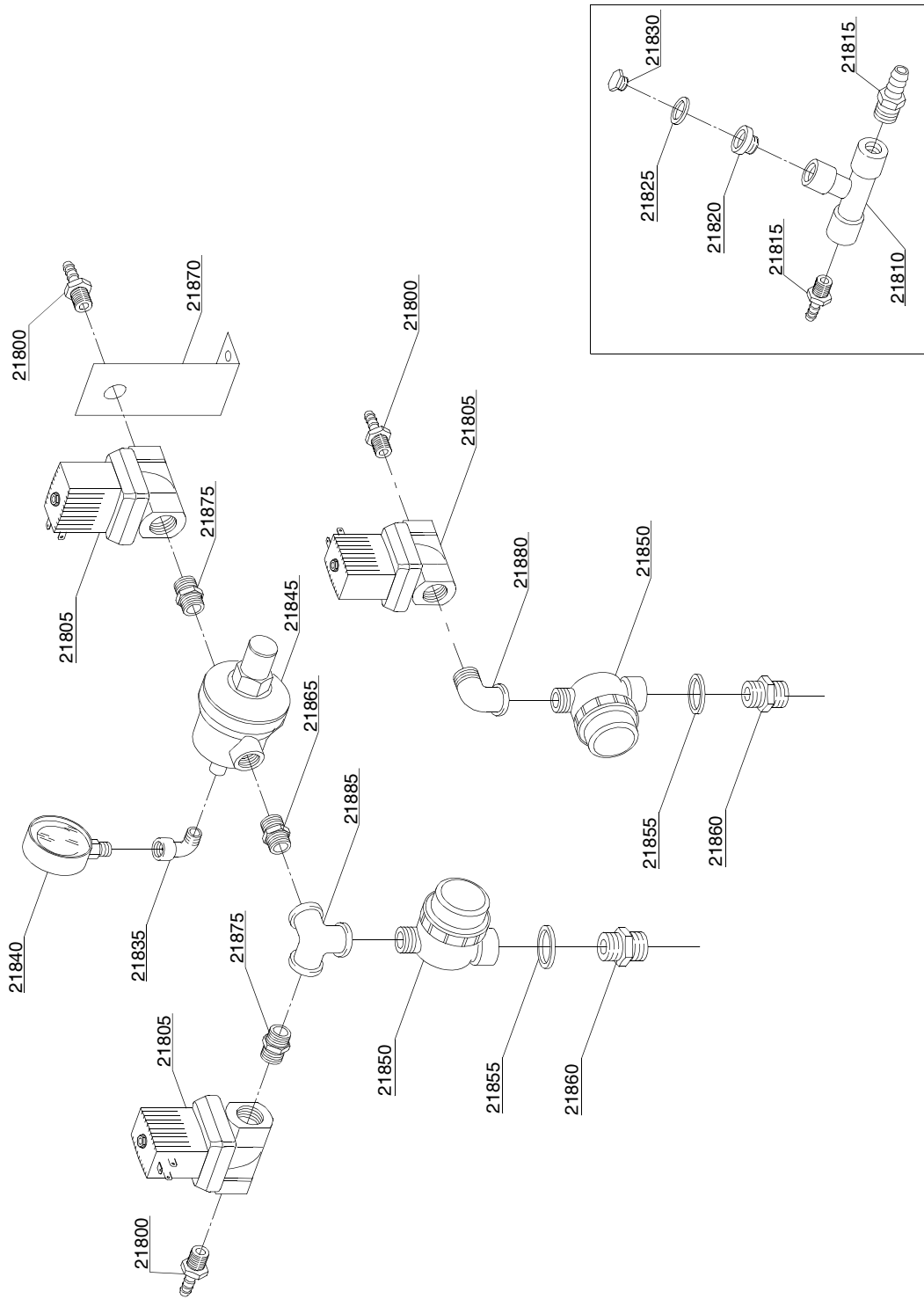
Spare parts

ID	P-code	Model	Type	Accessory	Voltage	Description
MODULE:Solenoid valves components						
21000	12023		26			Hose holder
21005	3002030		26			Solenoid valve
21010	12008		26			Connection T
21015	12005		26			Hose holder
21020	12032		26			Reduction nipples
21025	13309		26			Gasket 14x10x1.5
21030	12002		26			Plug
21035	12012		26			Elbow
21040	2000244		26			Pressure reduction gauge
21045	2000364		26			Pressure reduction valve
21050	2000121		26			Filter
21055	13326		26			Gasket 38x27x2
21060	12025		26			Nipples
21065	10200208		26			Nipples
21070	12033		26			Nipples
21075	3009439		26			Solenoid valve support
21080	3002145		26			Reduction nipples
21085	3002141		26			Elbow
21090	3002143		26			Elbow distributor
MODULE:Solenoid valves components						
21000	12023		26	d9,d92,974,975,d94		Hose holder
21005	3002030		26	d9,d92,974,975,d94		Solenoid valve
21010	12008		26	d9,d92,974,975,d94		Connection T
21015	12005		26	d9,d92,974,975,d94		Hose holder
21020	12032		26	d9,d92,974,975,d94		Reduction nipples
21025	13309		26	d9,d92,974,975,d94		Gasket 14x10x1.5
21030	12002		26	d9,d92,974,975,d94		Plug
21035	12012		26	d9,d92,974,975,d94		Elbow
21040	2000244		26	d9,d92,974,975,d94		Pressure reduction gauge
21045	2000364		26	d9,d92,974,975,d94		Pressure reduction valve
21050	2000121		26	d9,d92,974,975,d94		Filter
21055	13326		26	d9,d92,974,975,d94		Gasket 38x27x2
21060	12025		26	d9,d92,974,975,d94		Nipples
21065	10200208		26	d9,d92,974,975,d94		Nipples
21070	12033		26	d9,d92,974,975,d94		Nipples
21075	3009439		26	d9,d92,974,975,d94		Solenoid valve support
21080	3002145		26	d9,d92,974,975,d94		Reduction nipples
21085	3002141		26	d9,d92,974,975,d94		Elbow
21090	3002143		26	d9,d92,974,975,d94		Elbow distributor
			26			



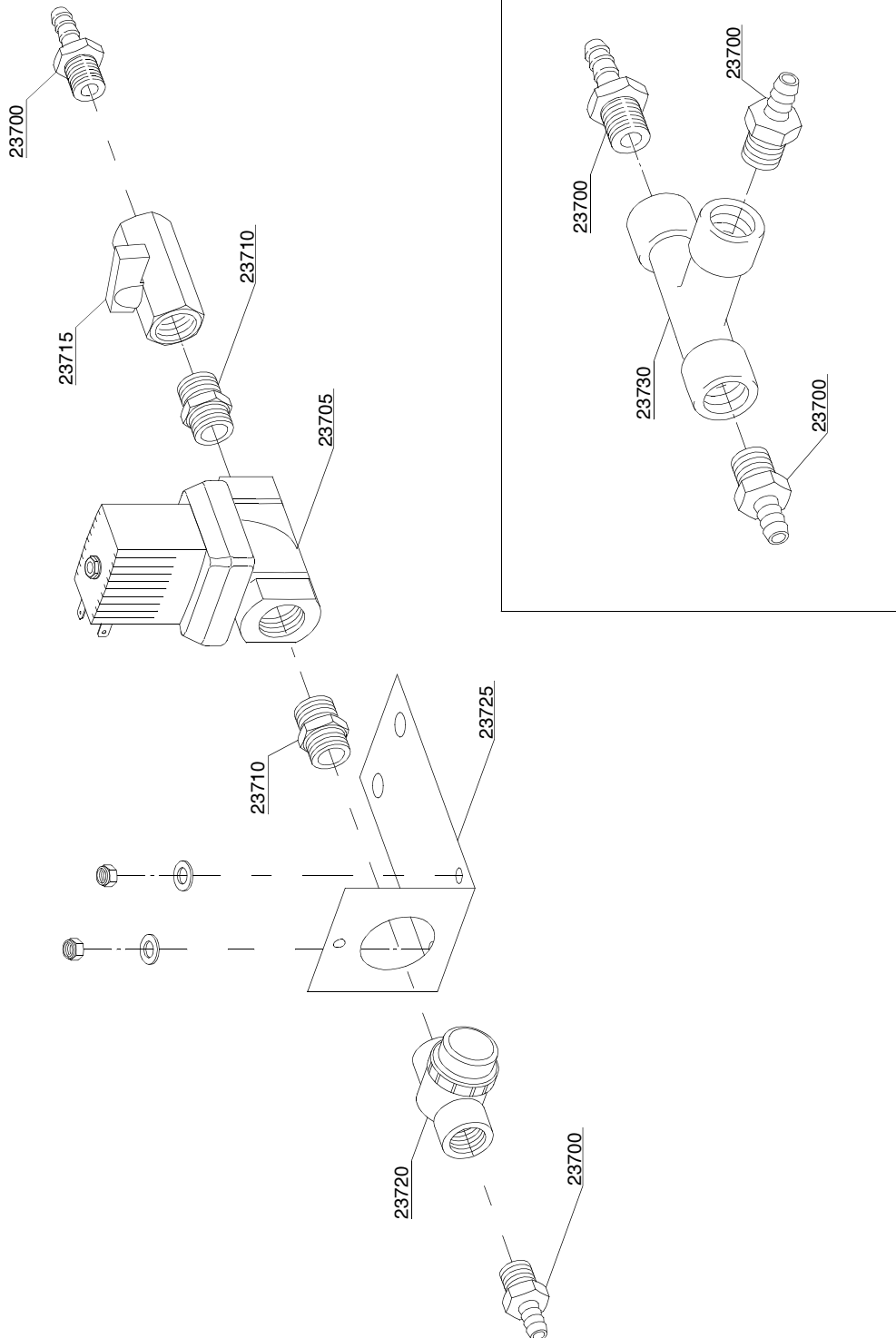
29_011_e

ID	P-code	Model	Type	Accessory	Voltage	Description
MODULE:Solenoid valves components						
21400	12023		26	sc9		Hose holder
21405	3002030		26	sc9		Solenoid valve
21410	12008		26	sc9		Connection T
21415	12005		26	sc9		Hose holder
21420	12032		26	sc9		Reduction nipples
21425	13309		26	sc9		Gasket 14x10x1.5
21430	12002		26	sc9		Plug
21435	12012		26	sc9		Elbow
21440	2000244		26	sc9		Pressure reduction gauge
21445	2000364		26	sc9		Pressure reduction valve
21450	2000121		26	sc9		Filter
21455	13326		26	sc9		Gasket 38x27x2
21460	12025		26	sc9		Nipples
21465	10200208		26	sc9		Nipples
21470	12033		26	sc9		Nipples
21475	3009439		26	sc9		Solenoid valve support
21480	3002145		26	sc9		Reduction nipples
21485	3002142		26	sc9		Elbow
21490	3002143		26	sc9		Elbow distributor
21495	12027		26	sc9		Nipples
21500	3002140		26	sc9		Tap



29_015_e

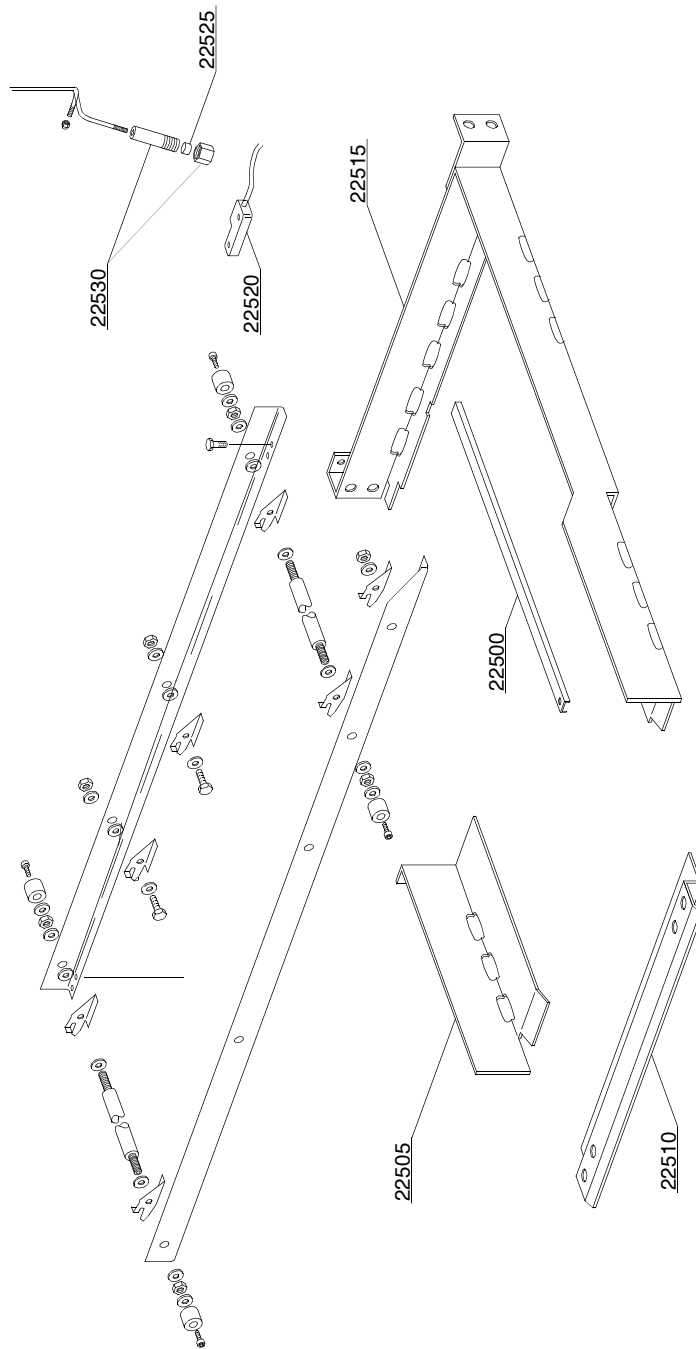
ID	P-code	Model	Type	Accessory	Voltage	Description
MODULE:Solenoid valves components						
21800	12023		26	hr		Hose holder
21805	3002030		26	hr		Solenoid valve
21810	12008		26	hr		Connection T
21815	12005		26	hr		Hose holder
21820	12032		26	hr		Reduction nipples
21825	13309		26	hr		Gasket 14x10x1.5
21830	12002		26	hr		Plug
21835	12012		26	hr		Elbow
21840	2000244		26	hr		Pressure reduction gauge
21845	2000364		26	hr		Pressure reduction valve
21850	2000121		26	hr		Filter
21855	13326		26	hr		Gasket 38x27x2
21860	12025		26	hr		Nipples
21865	10200208		26	hr		Nipples
21870	3009439		26	hr		Solenoid valve support
21875	3002145		26	hr		Reduction nipples
21880	3002141		26	hr		Elbow
21885	3002143		26	hr		Elbow distributor



29_016_e

Spare parts

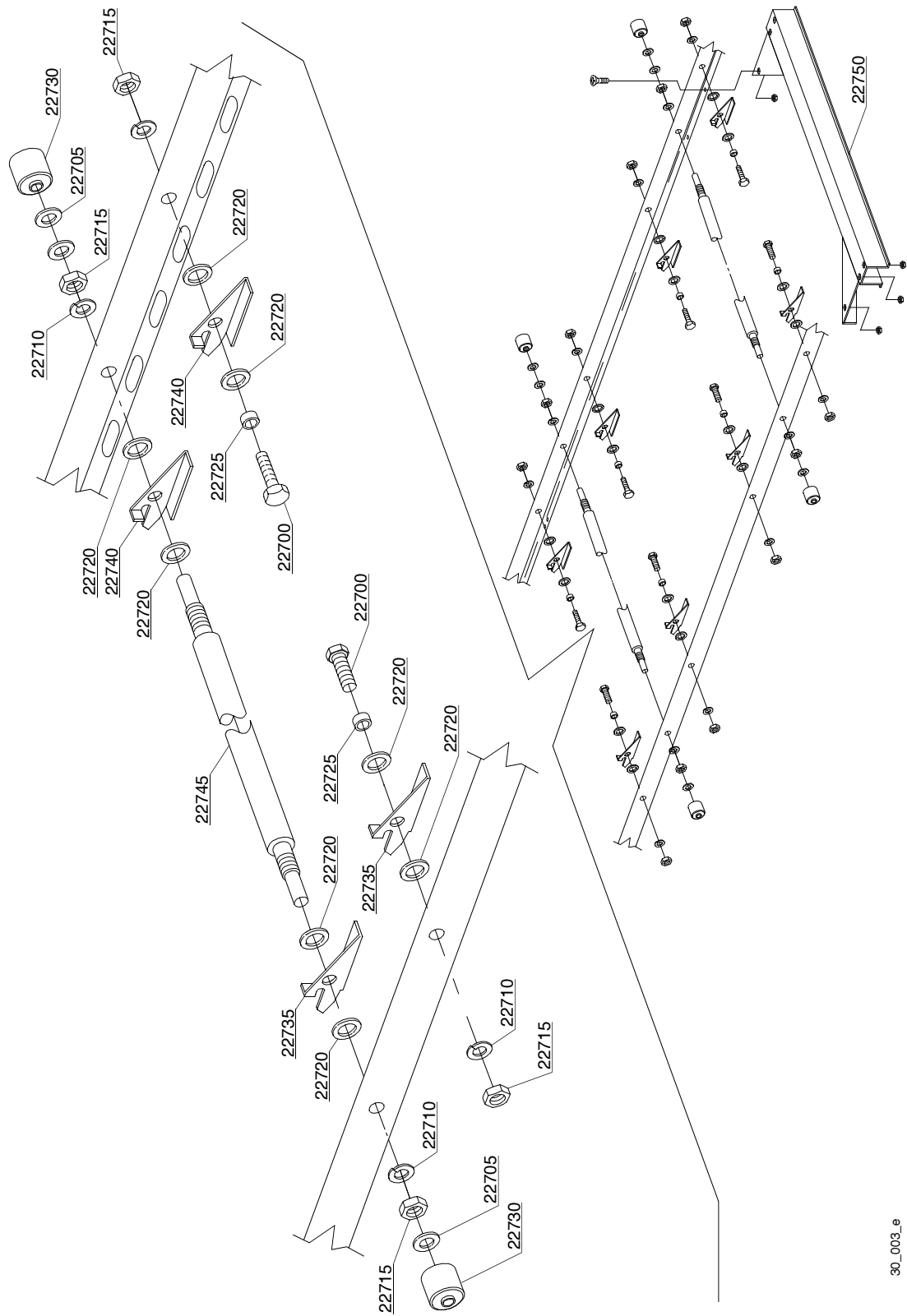
ID	P-code	Model	Type	Accessory	Voltage	Description
MODULE:Detergent economizer system						
23700	12023		26	des		Hose holder
23705	3002030		26	des		Solenoid valve
23710	12027		26	des		Nipples
23715	3002140		26	des		Tap
23720	3004165		26	des		Filter
23725	3009649		26	des		Solenoid valve support
23730	12028		26	des		Connection T



30_002_e

Spare parts

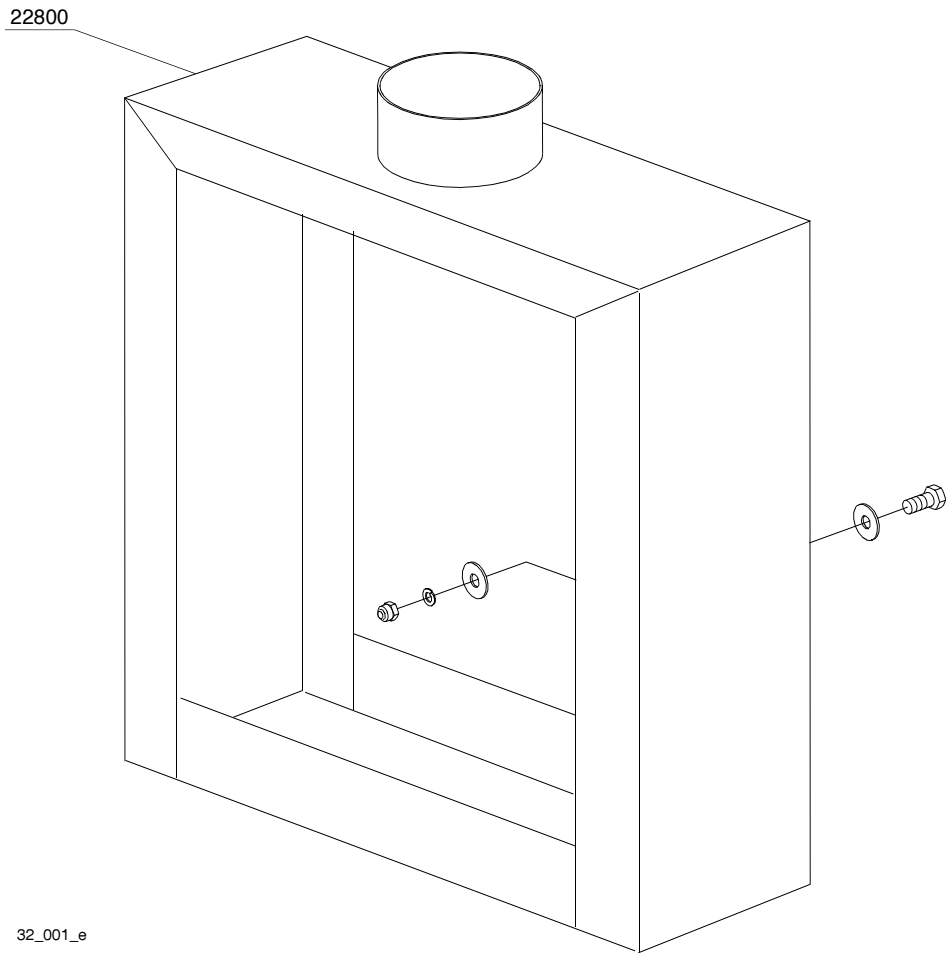
ID	P-code	Model	Type	Accessory	Voltage	Description
MODULE:Conveyor parts						
22500	3009273		26			Slide
22505	3009298		26			Slide right
22505	3009446		26			Slide left
22510	3009271		26			Sleeper right
22510	3009272		26			Sleeper left
22515	3009233		26			Slide left
22515	3009234		26			Slide right
22520	3003112		26			Microswitch
22525	3003113		26			Magnet
22530	3003058		26			Magnet holder



90_003_e

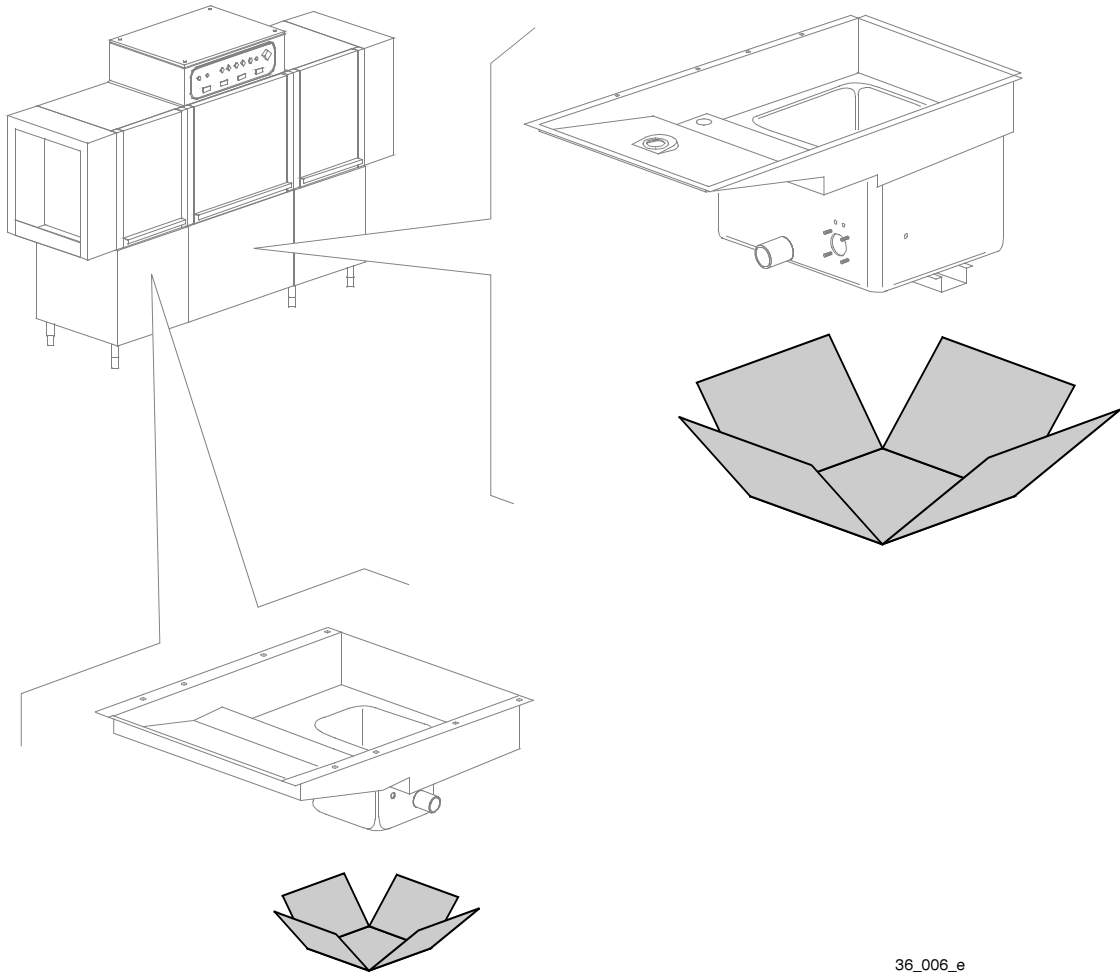
Spare parts

ID	P-code	Model	Type	Accessory	Voltage	Description
MODULE:Conveyor parts						
22700	11109		26			Screw
22705	11185		26			Washer
22710	11609		26			Split washer
22715	11719		26			Nut
22720	3003024		26			Washer
22725	3003025		26			Bush
22730	3003026		26			Bush
22735	3003100		26			Clip right
22740	3003101		26			Clip left
22745	3003010		26			Axis
22750	3009107		26			Guide



Spare parts

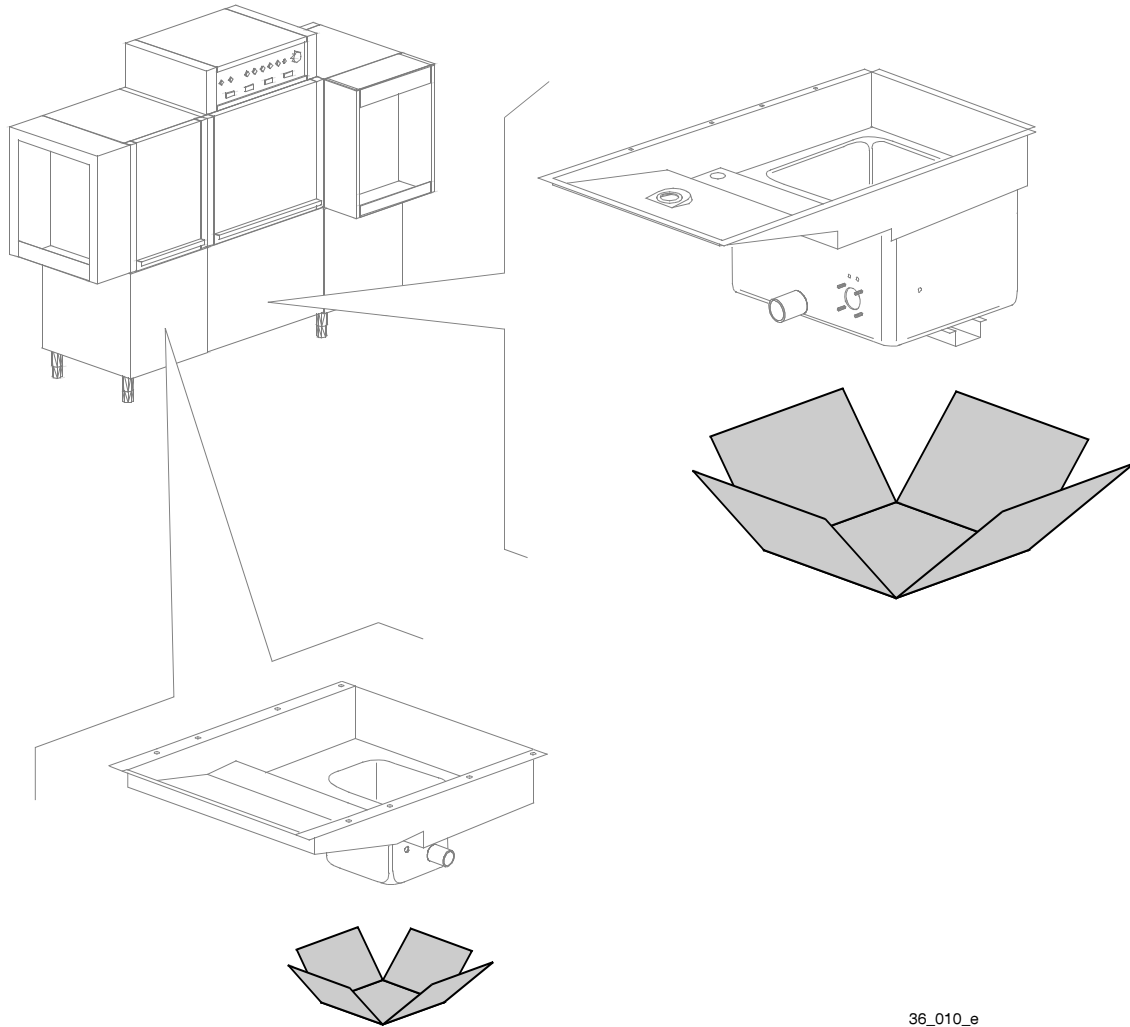
ID	P-code	Model	Type	Accessory	Voltage	Description
MODULE: Splash zone with cilinder - LC 94						
22800	999910065		26	szc9		Splash zone with cilinder LC94



36_006_e

Spare parts

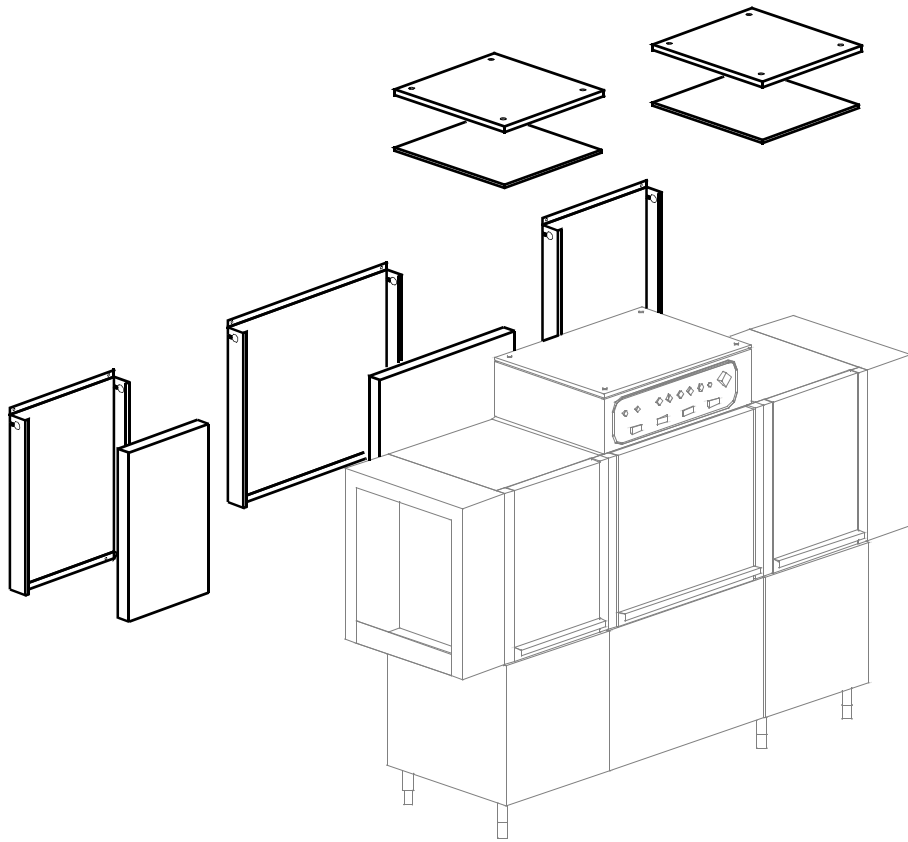
ID	P-code	Model	Type	Accessory	Voltage	Description
MODULE:Tanks insulation						
	999910208		26	ti		Tanks insulation
N.B.: kit suppliable only togeter with the machine, not after						



36_010_e

Spare parts

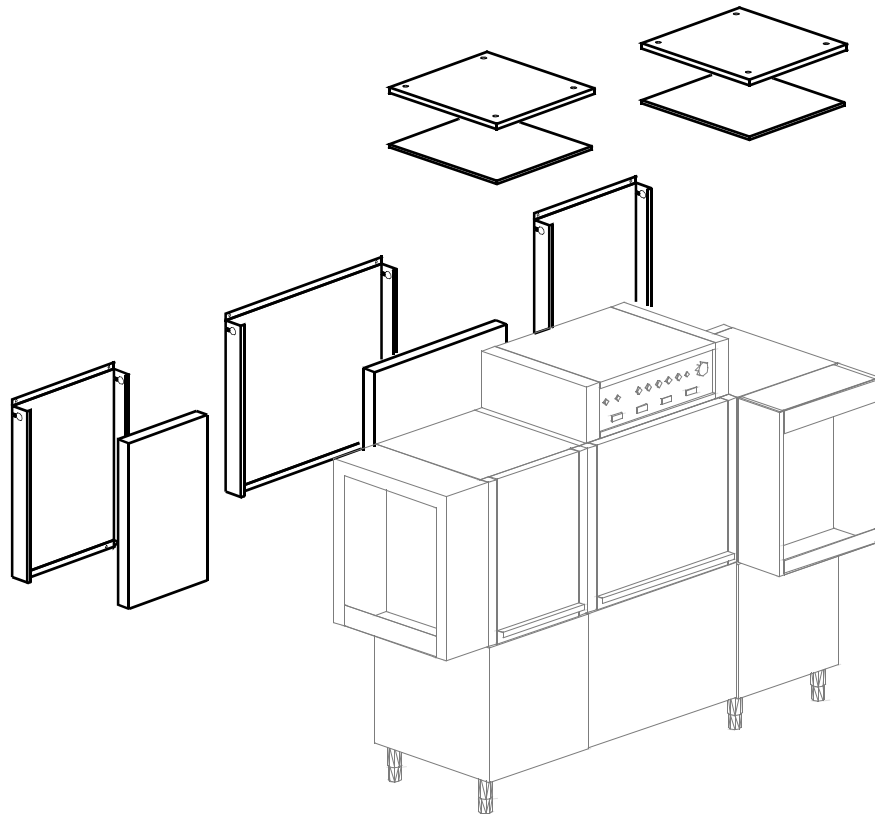
ID	P-code	Model	Type	Accessory	Voltage	Description
MODULE:Tanks insulation						
	999910208		26	ti		Tanks insulation
N.B.: kit suppliable only togeter with the machine, not after						



37_006_e

Spare parts

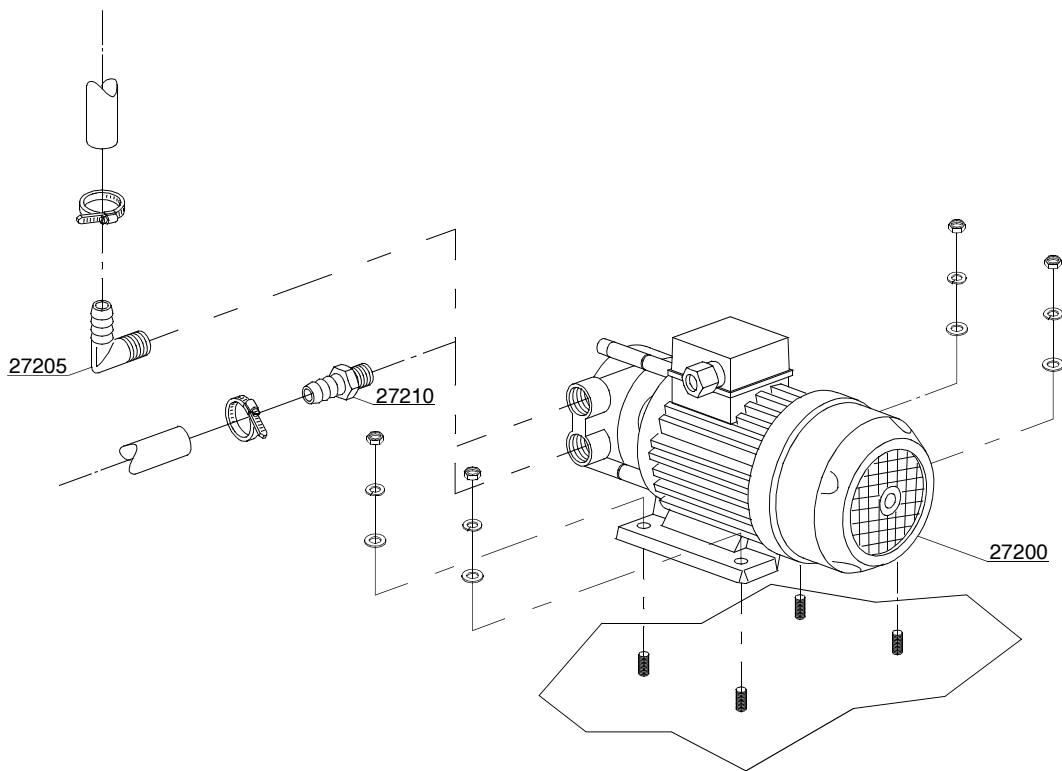
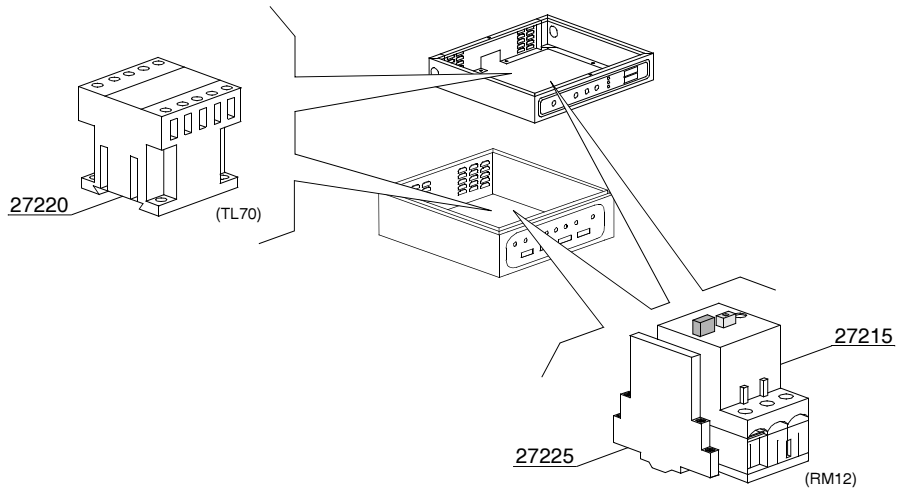
ID	P-code	Model	Type	Accessory	Voltage	Description
MODULE:Double skin						
	999910203		26	ds		Double skin assembly
N.B.: kit suppliable only togeter with the machine, not after						



37_010_e

Spare parts

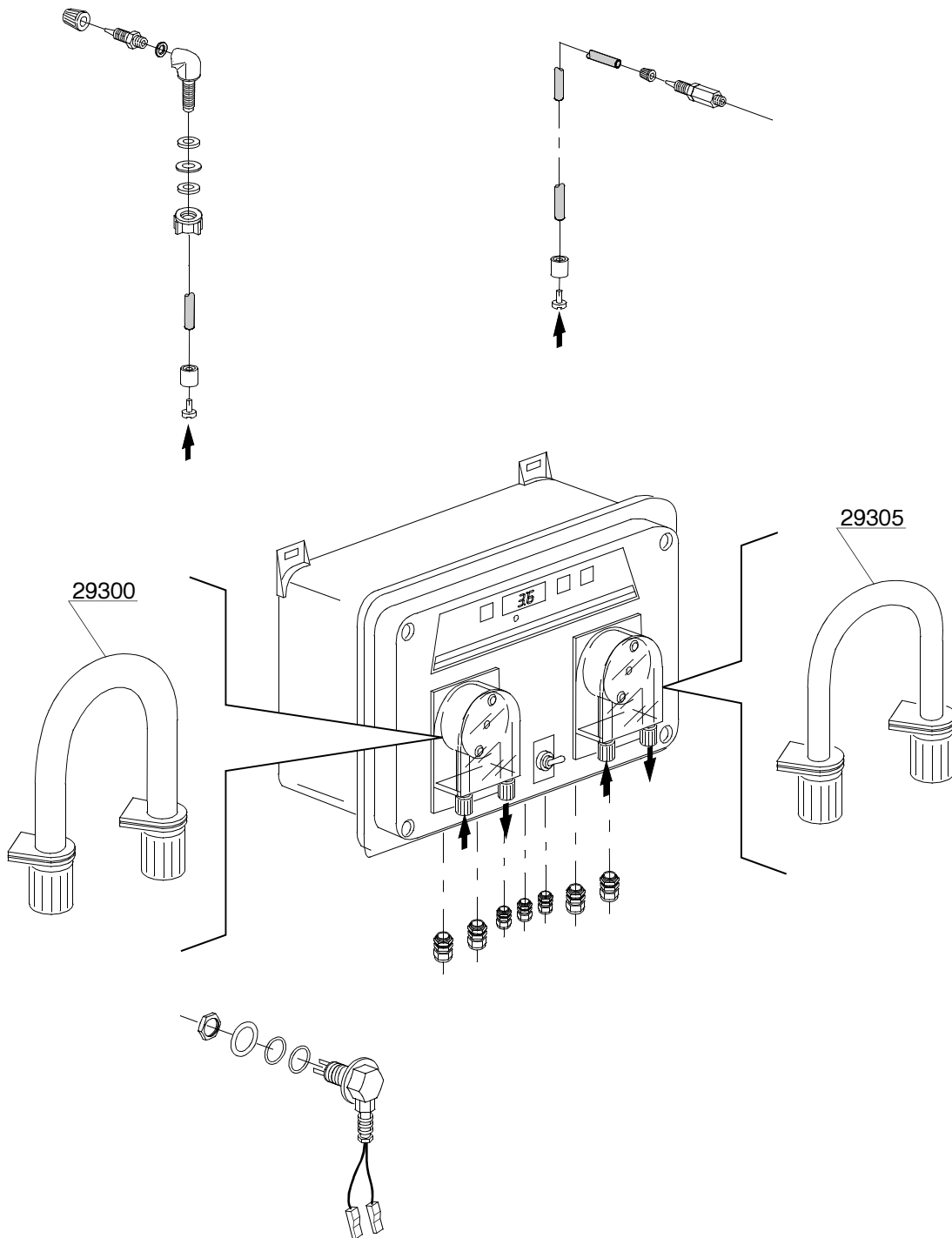
ID	P-code	Model	Type	Accessory	Voltage	Description
MODULE:Double skin						
	999910203		26	ds		Double skin assembly
N.B.: kit suppliable only togeter with the machine, not after						



38_001_e

Spare parts

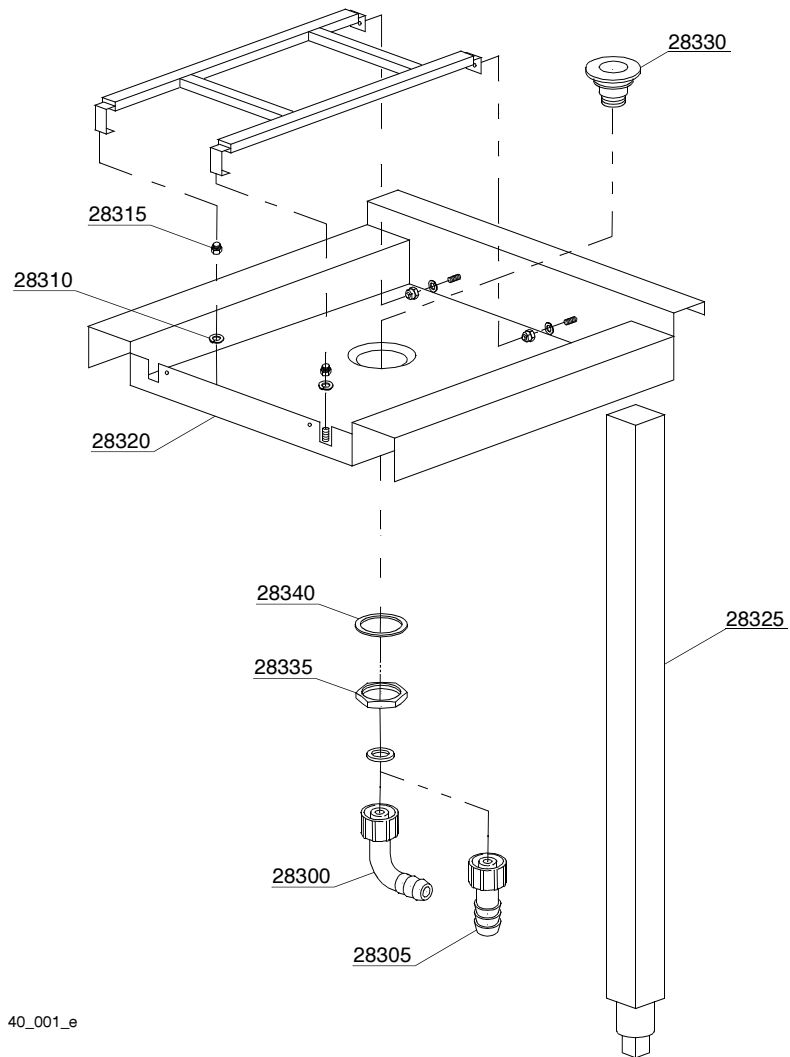
ID	P-code	Model	Type	Accessory	Voltage	Description
MODULE:Booster pump						
27200	15100		26	bp		Booster pump
27205	12030		26	bp		Elbow pipe fitting
27210	10221311		26	bp		Pipe fitting
27215	2000394		26	bp		Motorprotector 2,5-4A
27220	2000370		26	bp		Contactactor MC9
27225	3006080		26	bp		Auxiliary contact LMS25



39_001_e

Spare parts

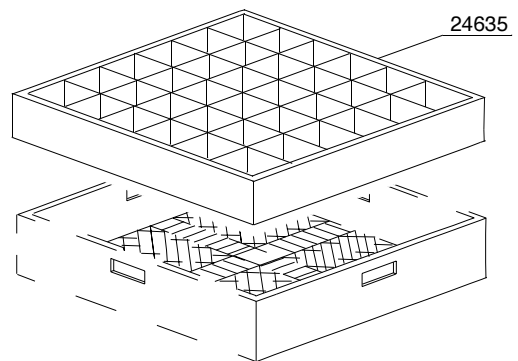
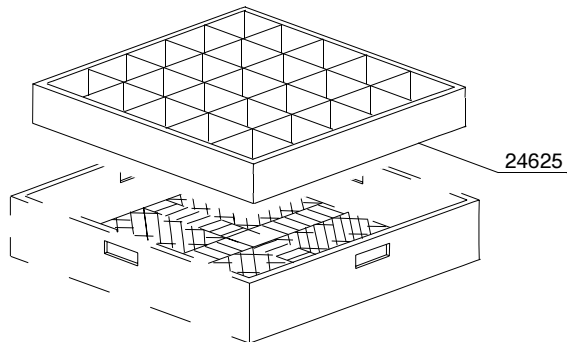
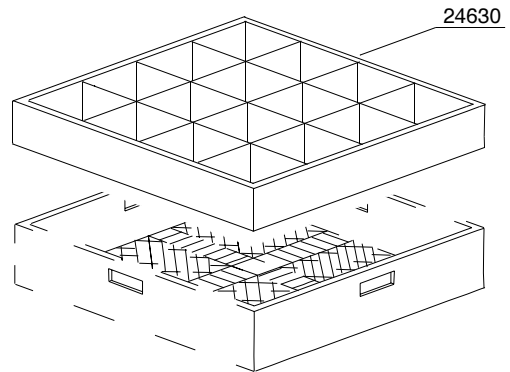
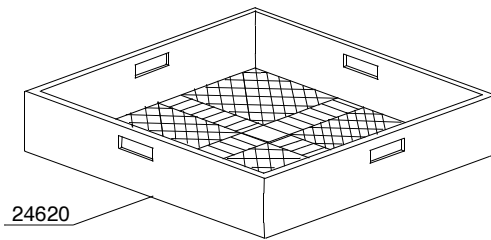
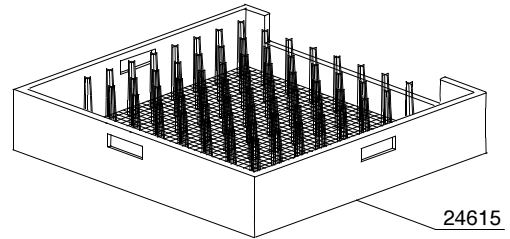
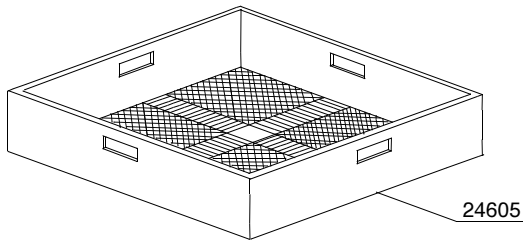
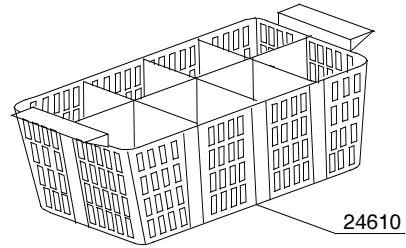
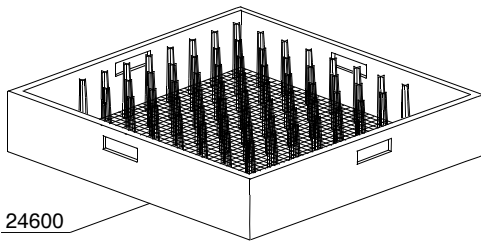
ID	P-code	Model	Type	Accessory	Voltage	Description
MODULE:Dispensers SDN-3						
	15181		26	sdn3		Dispensers assembly SDN-3
29300	15185		26	sdn3		Pipe fitting for detergent dispenser
29305	15186		26	sdn3		Pipe fitting for rinse dispenser



40_001_e

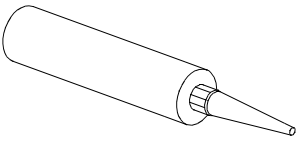
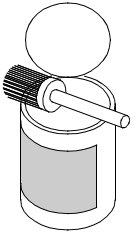
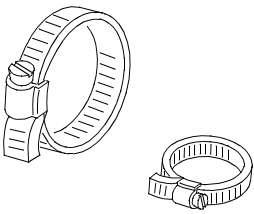
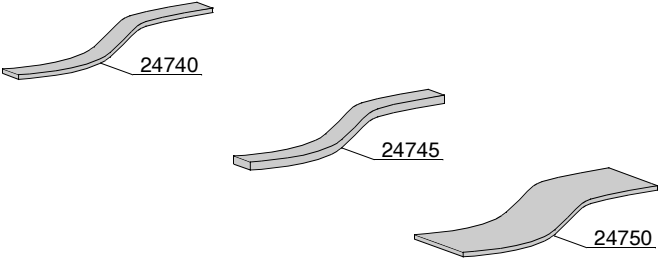
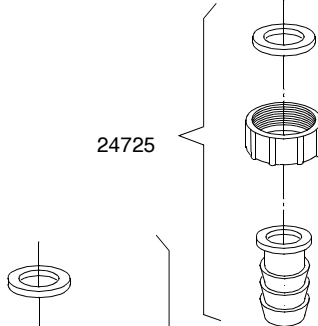
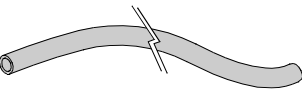
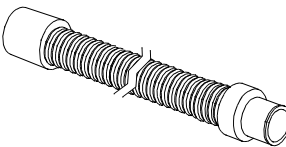
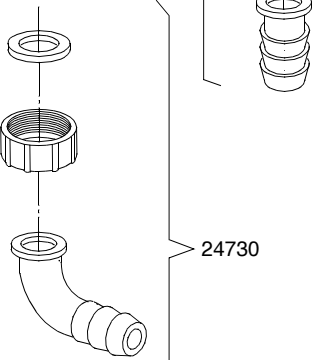
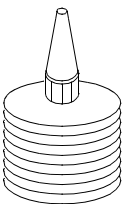
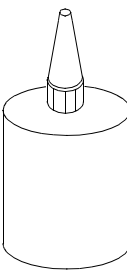
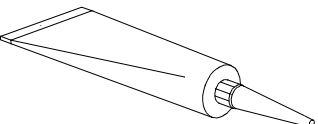
Spare parts

ID	P-code	Model	Type	Accessory	Voltage	Description
MODULE:Angle loading table 90° - LC 98						
28300	15613		26	98		"1"" 1/4x30 nylon elbow"
28305	15613/A		26	98		Fitting exauster
28310	3003024		26	98		Washer
28315	3003025		26	98		Bush
28320	3009250		26	98		Platform
28325	3009608		26	98		Leg assembly
28330	10200113		26	98		Floor drain
28335	10200114		26	98		Floor drain nut
28340	10200173		26	98		Gasket 75x58x2



00_001_e

ID	P-code	Model	Type	Accessory	Voltage	Description
MODULE:Baskets						
24600	C40		26			Place conveyor basket
24605	C41		26			Tight mesh conveyor basket for cutlery
24610	C47		26			Small 8 place cutlery basket
24615	C43		26			535mm tray conveyor basket
24620	C44		26			Mod.07 universal conveyor basket
24625	C112		26			5x5 vertical glass conveyor basket
24630	C113		26			4x4 vertical glass conveyor basket
24635	C114		26			6x6 vertical glass conveyor basket

 <p>24700</p>	 <p>24705</p>	 <p>24760</p>
 <p>24740</p> <p>24745</p> <p>24750</p>		 <p>24725</p>
 <p>24755</p>	 <p>24735</p>	 <p>24730</p>
 <p>24765</p>	 <p>24770</p>	 <p>24775</p>

Spare parts

ID	P-code	Model	Type	Accessory	Voltage	Description
MODULE:Accessory						
24700	---		26			Silicone UNI 9610 - UNI 9611
24705	---		26			Grease for higt temperatures CCIAA 629224
24705	---		26			Grease for food - Loctite 8104 Cat. N° 26560
24725	15613/A		26			Fitting exauster
24730	15613		26			"1"" 1/4x30 nylon elbow"
24735	10727		26			Exauster pipe Ø 24mm
24735	10200112		26			Exauster pipe Ø 32mm
24740	15750		26			20x2 self-stick mousse
24745	15751		26			20x4 self-stick mousse
24750	15752		26			60x2 self-stick mousse
24755	2907350		26			Flexible pipe EPDM Ø12
24755	2907352		26			Flexible pipe EPDM Ø12 - WRAS
24755	2907353		26			Flexible pipe EPDM Ø12
24760	2902050		26			Steel hose clamp 15/24
24760	11806		26			Steel hose clamp 25/40
24760	11810		26			Steel hose clamp 40/60
24760	11824		26			Steel hose clamp 50/70
24760	2902491		26			Steel hose clamp 60/80
24765	---		26			-50°C +150°C threads dope
24770	---		26			Loctite 542 Cat.N° 54246 - DIN-DVGW 86.02 e 125
24770	---		26			Loctite 243 Cat.N° 18937 - 19386
24775	---		26			Loctite 511 Cat.N° 24003 - DIN-DVGW 86.01 e 125
24775	---		26			Loctite 577 Cat.N° 25392