



DOMINATOR RANGES SPARES

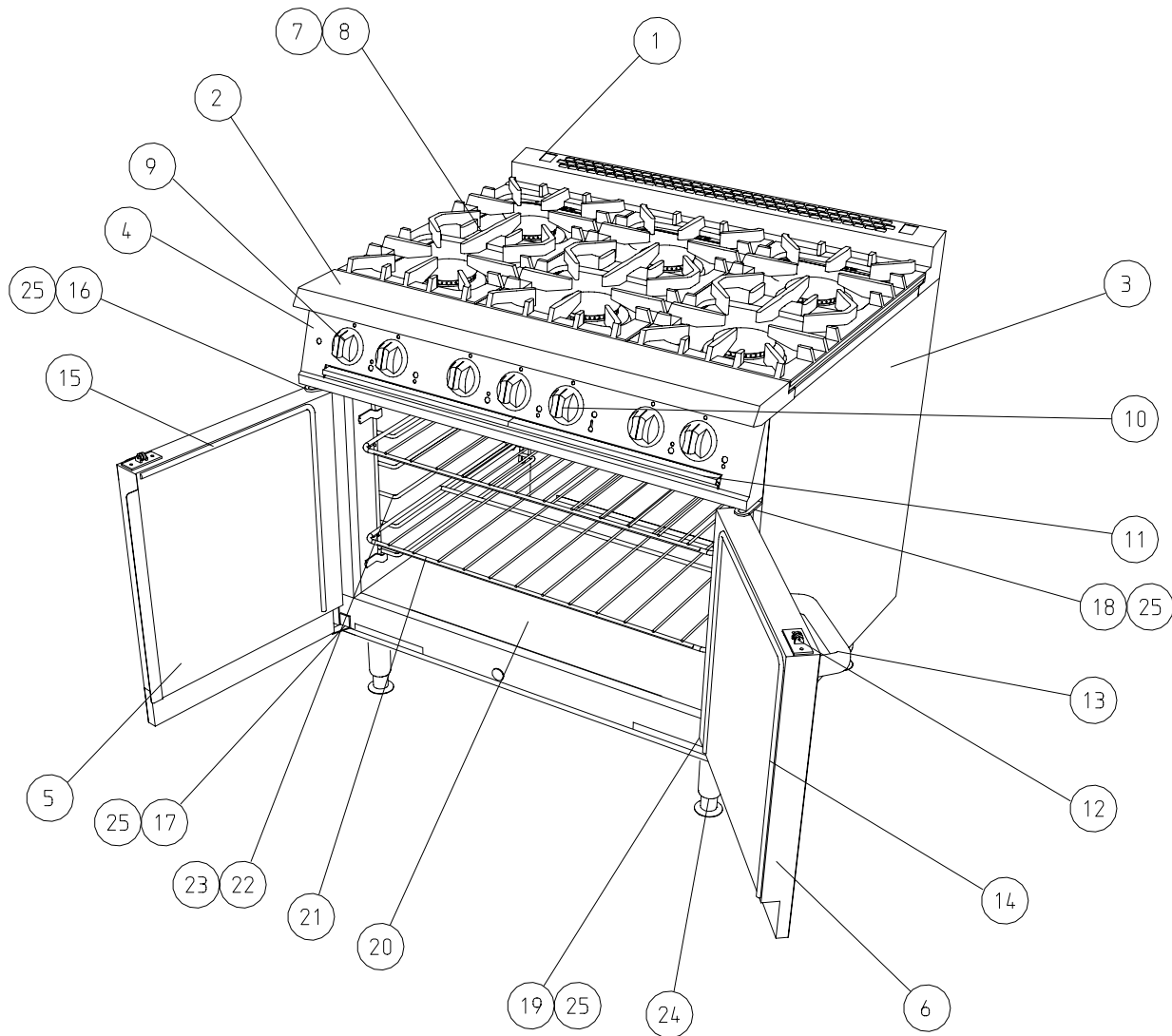


AGA FOODSERVICE EQUIPMENT

RZZ 336 Ref. 1

G2101 OTC RANGE

FITMENTS

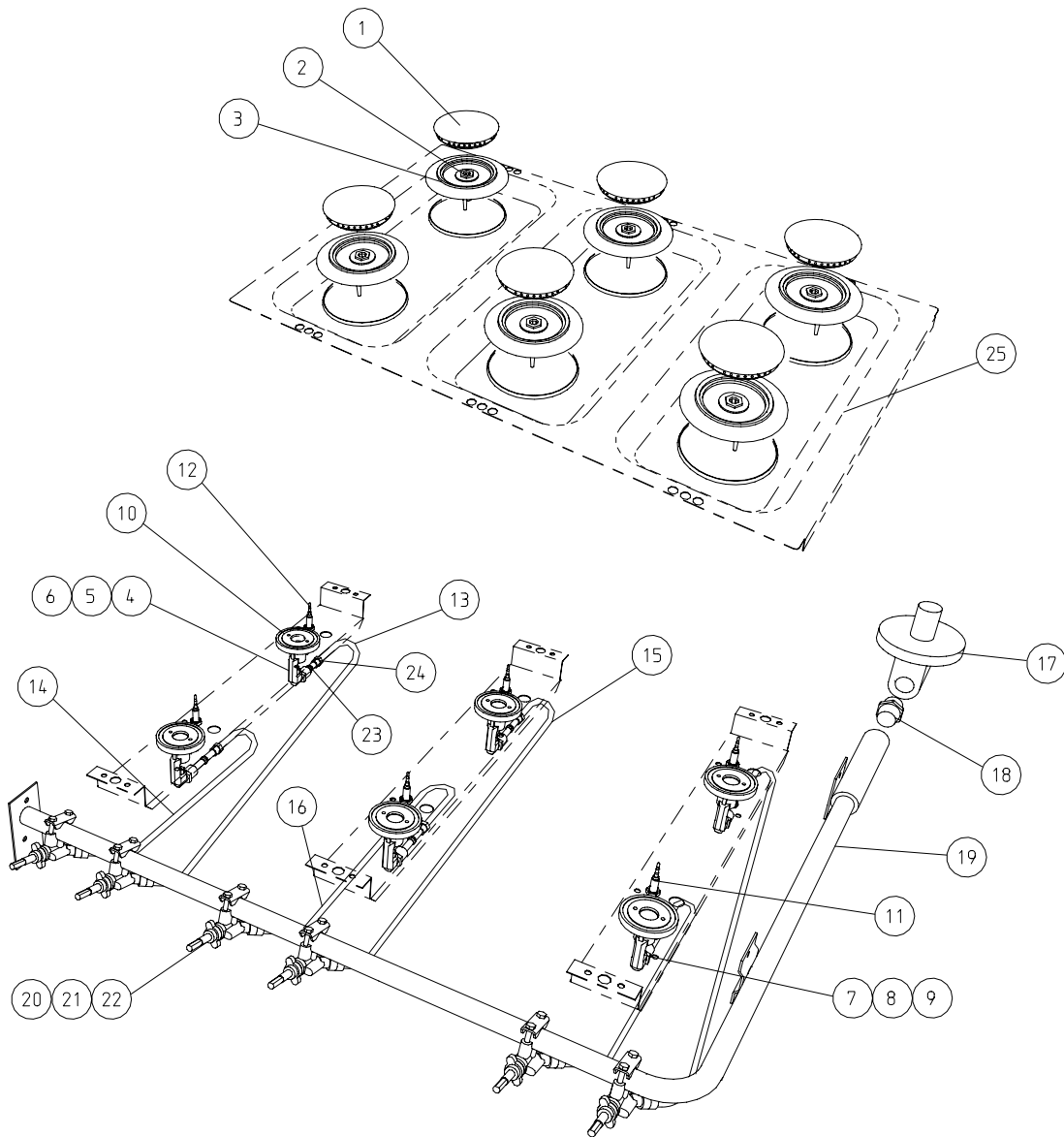


Item	Spares No.	Description
1.	535480046	Rear hob rail
2.	535480047	Front hob rail
3.	535480048	Outer side panel
4.	535420001	Control panel
5.	535420016	LH door assembly
6.	535420017	RH door assembly
7.	535400130	Pan support (painted)
8.	535400140	Pan support (enamelled)
9.	535400010	Control knob for open top control
10.	535420002	Control knob for oven control
11.	535480053	Hob drip tray
12.	535480054	Door catch
13.	535480055	Door handle

Item	Spares No.	Description
14.	535420003	Door seal - RH door
15.	535420004	Door seal - LH door
16.	535480058	Door hinge - top LH
17.	535480059	Door hinge - bottom LH
18.	535480060	Door hinge - top RH
19.	535480061	Door hinge - bottom RH
20.	535420005	Oven bottom plate
21.	535480064	Oven shelf
22.	535480065	Oven shelf hanger
23.	535480066	Bracket for oven shelf hanger
24.	535480067	Adjustable leg
25.	535480077	Door hinge bush

G2101 OTC RANGE

CONTROLS

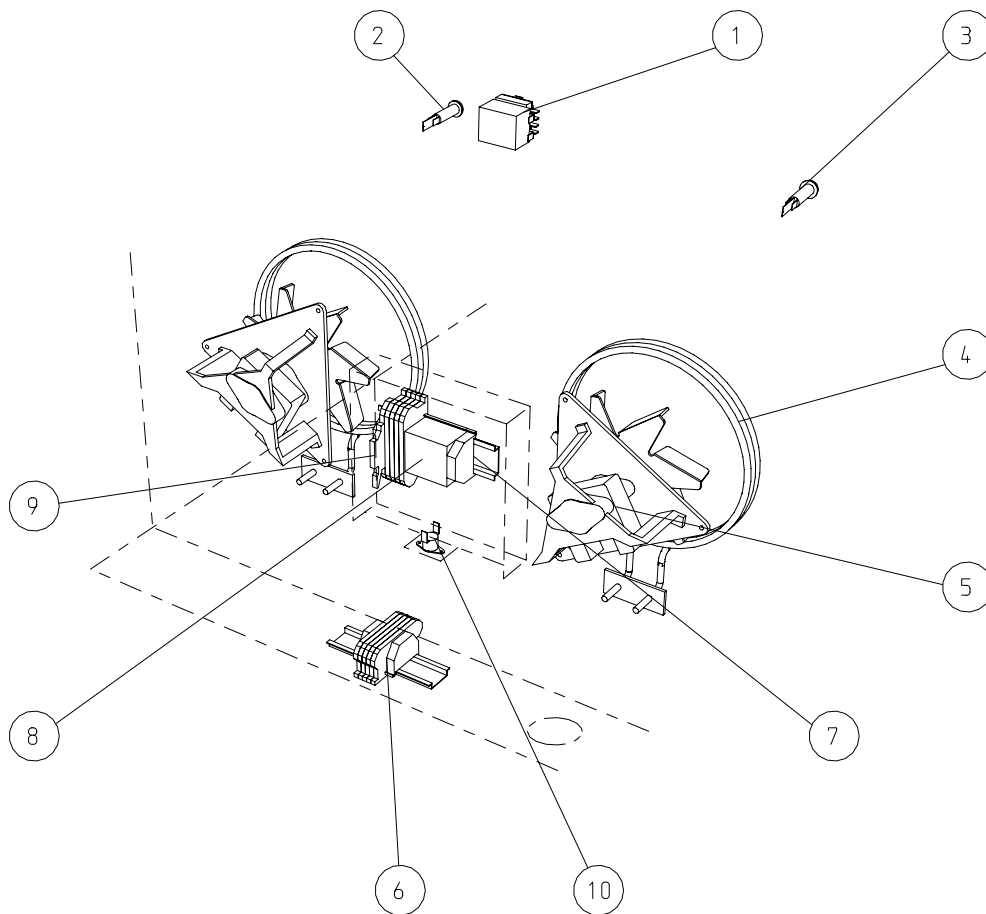


tem	Spares No.	Description
1.	535480006	Burner cap
2.	535400070	Burner venturi
3.	535400060	Burner base
4.	535400080	Injector holder c/w Injector (Natural)
5.	535480007	Open top injector (Natural Ø1.75mm)
6.	535480008	Open top injector (Propane Ø1.07mm)
7.	535400090	Inj. holder c/w injector (Boost - Nat)
8.	535480009	OT boost injector (Natural Ø1.95mm)
9.	535480010	OT boost injector (Propane Ø1.2mm)
10.	535400100	Lock nut for injector holder
11.	535480011	OT thermocouple (Short)
12.	535480012	OT thermocouple (Long)
13.	535400050	Burner pipe - rear outer

Item	Spares No.	Description
14.	535400040	Burner pipe - front outer
15.	535400030	Burner pipe - rear middle
16.	535400020	Burner pipe - front middle
17.	535480015	Governor
18.	535480016	$\frac{3}{4}$ " fitting
19.	535400205	Float rail
20.	535480020	Open top burner control
21.	535480021	Bypass screw (Natural - Ø0.84mm)
22.	535480022	Bypass screw (Propane - Ø0.5mm)
23.	535480027	Olive for tap pipes
24.	535480028	Tube nut for tap/injector holder
25.	535400150	Hob panel

G2101 OTC RANGE

CONTROLS



tem	Spares No.	Description
1.	535420006	Thermostat c/w switch
2.	535420007	Amber neon
3.	535420008	Red neon
4.	535420009	Oven element
5.	535420010	Oven fan
6.	535420011	Terminal block (Incoming)
7.	535420012	Terminal block (Support panel)
8.	535420013	Contactor
9.	535420014	Fuse
10.	535420015	Oven safety thermostat

Falcon Foodservice Equipment

HEAD OFFICE AND WORKS

PO Box 37, Foundry Loan, Larbert. Stirlingshire. Scotland. FK5 4PL

AFE SERVICE CONTACT -

PHONE - 01438 751 111 FAX - 01438 369 900