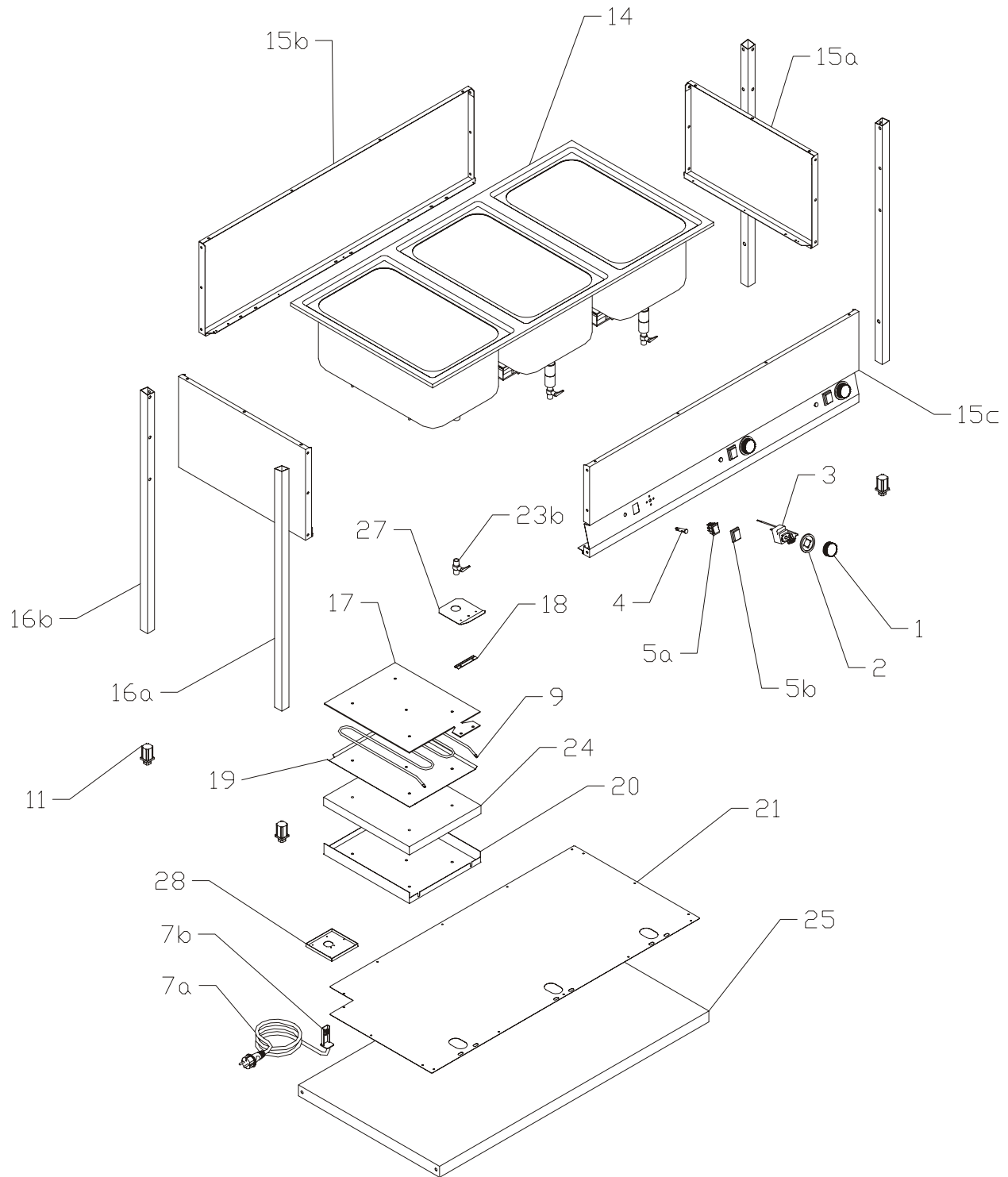


**BMSD-2120,3120,4120**





BMSD-2120

	CODE		CODE		CODE		CODE
1	402591000	8	-----	15c	450532125	23a	-----
2	402595000	9	401021700	16a	500504160	23b	409001100
3	402501100	10	-----	16b	500504165	24	407502100
4	401515200	11	407810810	17	450500070	25	450532325
5a	401500550	12	-----	18	450503500	26	-----
5b	401509000	13	-----	19	450500080	27	450533400
6	-----	14	500502215	20	450503000	28	450533300
7a	402010500	15a	450533200	21	450532420	29	-----
7b	402085500	15b	450532220	22	-----	30	-----

BMSD-3120

	CODE		CODE		CODE		CODE
1	402591000	8	-----	15c	450532135	23a	-----
2	402595000	9	401021700	16a	500504160	23b	409001100
3	402501100	10	-----	16b	500504165	24	407502100
4	401515200	11	407810810	17	450500070	25	500504035
5a	401500550	12	-----	18	450503500	26	-----
5b	401509000	13	-----	19	450500080	27	450533400
6	-----	14	500502315	20	450503000	28	450533300
7a	402010500	15a	450533200	21	450532430	29	-----
7b	402085500	15b	450532230	22	-----	30	-----

BMSD-4120

	CODE		CODE		CODE		CODE
1	402591000	8	-----	15c	450532145	23a	-----
2	402595000	9	401021700	16a	500504160	23b	409001100
3	402501100	10	-----	16b	500504165	24	407502100
4	401515200	11	407810810	17	450500070	25	500504045
5a	401500550	12	-----	18	450503500	26	-----
5b	401509000	13	-----	19	450500080	27	450533400
6	-----	14	500502415	20	450503000	28	450533300
7a	402010500	15a	450533200	21	450532440	29	-----
7b	402085500	15b	450532240	22	-----	30	-----