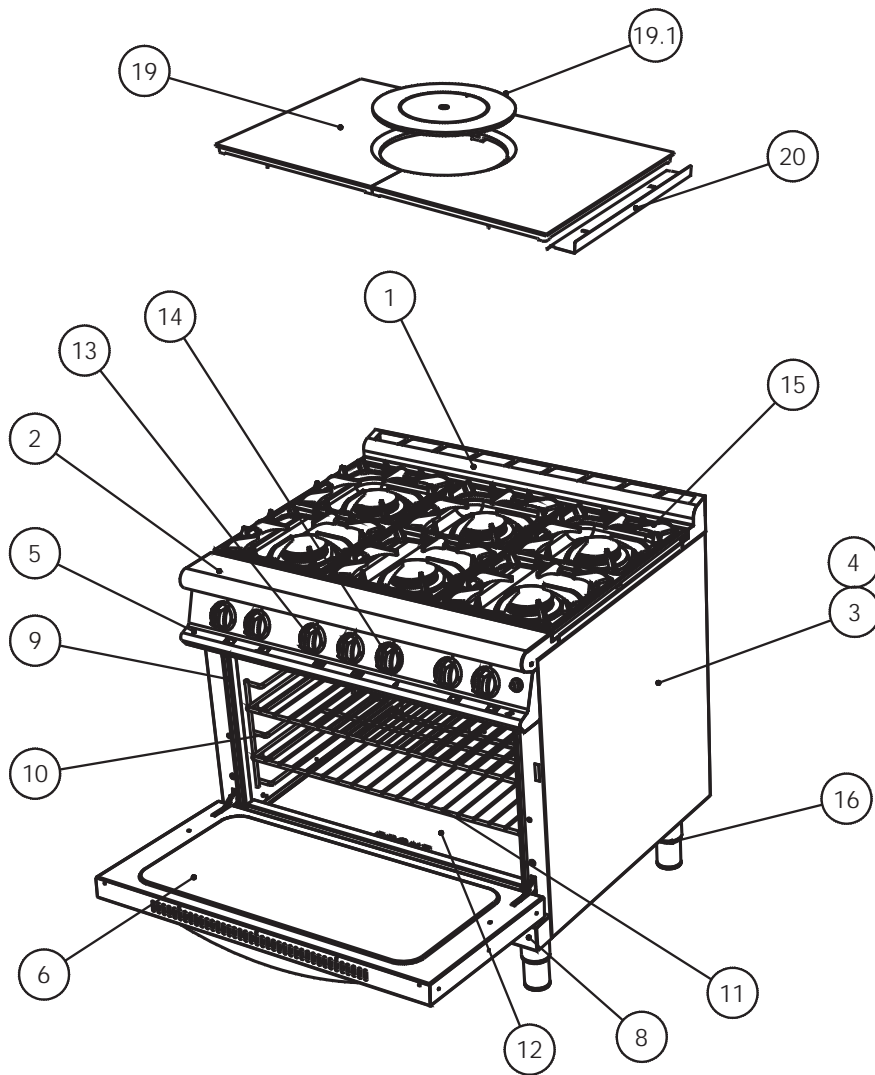


# DOMINATOR PLUS



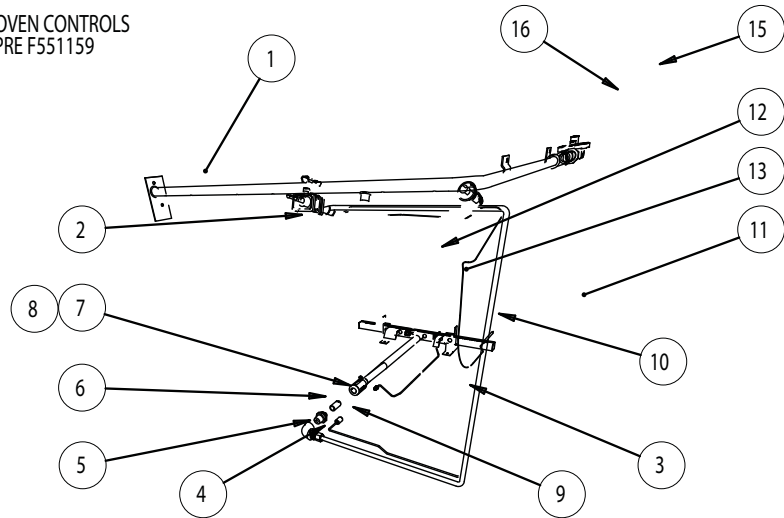
		G3101D	G3117D	G3107D
ITEM	DESCRIPTION	SPARES No	SPARES No	SPARES No
1	REAR HOB RAIL	535290017	535290017	535290017
2	FRONT HOB RAIL	535290018	535290018	535290018
3	RH OUTER SIDE PANEL	535200001	535200001	535200001
4	LH OUTER SIDE PANEL	535200000	535200000	535200000
5	CONTROL PANEL	535290019	535320000	535310009
6	OVEN DOOR ASSEMBLY	535290036	535290036	535290036
6.1	DOOR HANDLE	535290037	535290037	535290037
6.2	DOOR HINGE SET	535290038	535290038	535290038
7	DOOR HINGE PLATE SET	535290039	535290039	535290039
8	BOTTOM SKIRT PANEL	535290040	535290040	535290040
9	DOOR SEAL	535200005	535200005	535200005
10	OVEN SHELF HANGER	535200012	535200012	535200012
11	OVEN SHELF	535290023	535290023	535290023
12	OVEN BASE TRAY	535290041	535290041	535290041
13	O/T - SOLID TOP CONTROL KNOB	535290025	N/A	535310010
14	OVEN CONTROL KNOB	535290026	535290026	535290026
15	PAN SUPPORT	535290027	N/A	N/A
16	ADJUSTABLE FOOT	535290028	535290028	535290028
17	REAR FIXED CASTOR (NOT SHOWN)	534103055	534103055	534103055
18	FRONT SWIVEL CASTOR (NOT SHOWN)	530964350	530964350	530964350
19	SOLID TOP CASTING COMPLETE	N/A	N/A	535400170
19.1	SOLID TOP CENTRE & RING SET	N/A	N/A	535400160
20	HOB SIDE DRIP SHED	N/A	535410018	535410018
21	GP OVEN WORKTOP PANEL (NOT SHOWN)	N/A	535470002	N/A



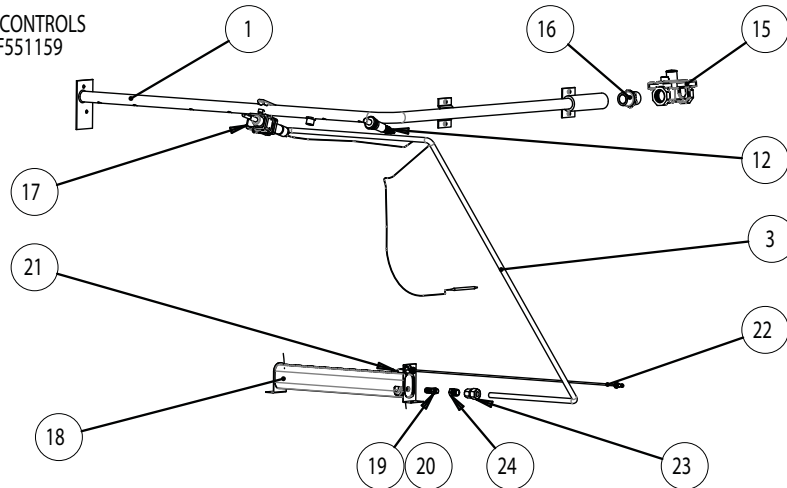
Issue	Alteration	Date	Product	Document Reference
B	Initial Issue	06/07/12	G3101D/G3117D/G3107D	AA49463

# DOMINATOR PLUS

OVEN CONTROLS  
PRE F551159



OVEN CONTROLS  
POST F551159



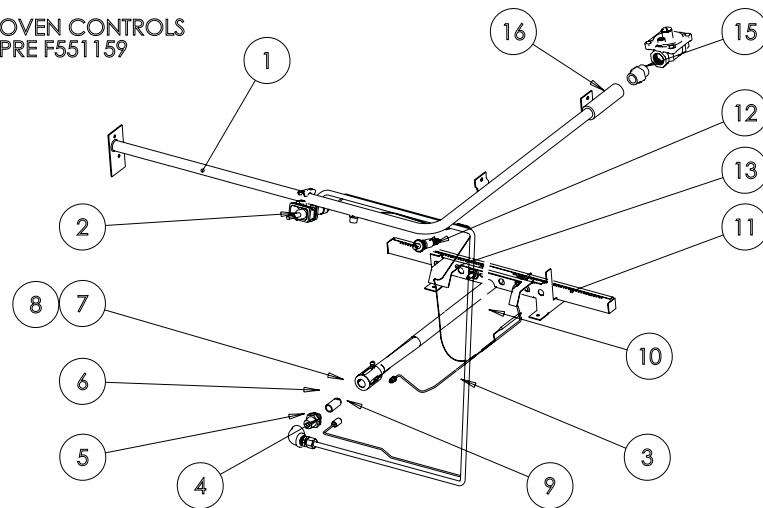
ITEM	DESCRIPTION	G3101 SPARES No	G3117 SPARES No	G3107 SPARES No
1	FLOAT RAIL	535290010	535310008	535310008
2	OVEN THERMOSTAT NAT GAS & PROPANE (PRE F551159)	535200022	535200022	535200022
	10MM OLIVE	10.1 535290012	535290012	535290012
	TUBE NUT	10.2 535290013	535290013	535290013
	NAT GAS BYPASS SCREW (76)	10.3 535290008	535290008	535290008
	PROPANE BYPASS SCREW (52)	10.4 535290014	535290014	535290014
3	OVEN FLEXI PIPE C/W OLIVES	535480082	535480082	535480082
4	OVEN PIPE COUPLING(PRE F551159)	535480042	535480042	535480042
5	ELBOW (PRE F551159)	535480041	535480041	535480041
6	INJECTOR HOLDER(PRE F551159)	535480035	535480035	535480035
7	OVEN BURNER INJECTOR NAT GAS(PRE F551159)	535480036	535480036	535480036
8	OVEN BURNER INJECTOR PROPANE (PRE F551159)	535480037	535480037	535480037
9	OVEN THERMOCOUPLE EXTENSION (PRE F551159)	535400120	535400120	535400120
10	OVEN THERMOCOUPLE (PRE F551159)	535400180	535400180	535400180
11	OVEN BURNER (PRE F551159)	535290015	535290015	535290015
12	OVEN PIEZO IGNITER	535010000	535010000	535010000
13	OVEN IGNITION ELECTRODE (PRE F551159)	535480033	535480033	535480033
14	OVEN IGNITION LEAD (NOT SHOWN) (PRE F551159)	535290016	535290016	535290016
15	GOVERNOR	535480015	535480015	535480015
16	3/4" FITTING	535480016	535480016	535480016
17	OVEN THERMOSTAT NAT GAS & PROPANE (POST F551159)	535290062	535290062	535290062
	10MM OLIVE	17.1 535290012	535290012	535290012
	TUBE NUT	17.2 535290013	535290013	535290012
	NAT GAS BYPASS SCREW (93)	17.3 535290064	535290064	535290064
	PROPANE BYPASS SCREW (52)	17.4 535290014	535290014	535290014
18	OVEN BURNER(POST F551159)	535290055	535290055	535290055
19	OVEN BURNER INJECTOR NAT GAS (POST F551159)	535290056	535290056	535290056
20	OVEN BURNER INJECTOR PROPANE (POST F551159)	535290057	535290057	535290057
21	OVEN IGNITION ELECTRODE (POST F551159)	535290059	535290059	535290059
22	OVEN THERMOCOUPLE (POST F551159)	535290058	535290058	535290058
23	OVEN BURNER COUPLING (POST F551159)	535290060	535290060	535290060
24	OVEN BURNER REDUCER (POST F551159)	535290061	535290061	535290061
25	OVEN IGNITION LEAD (POST F551159)(NOT SHOWN)	535290063	535290063	535290063
	CONVERSION KIT NAT GAS TO PROPANE (PRE F551159)	535290029	535320001	535310011
	CONVERSION KIT PROPANE TO NAT GAS (PRE F551159)	535290030	535320002	535310012
	CONVERSION KIT NAT GAS TO PROPANE (POST F551159)	535290065	535320005	535310013
	CONVERSION KIT PROPANE TO NAT GAS (POST F551159)	535290066	535320006	535310013

Issue	Alteration	Date	Product	Document Reference
B	7178	04/12/2014	G3101/G3107/G3117 G3117D oven controls	AD51835

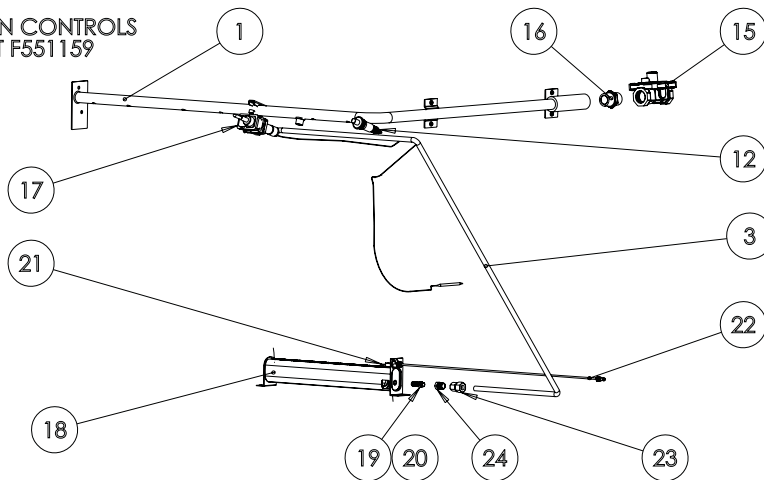


# DOMINATOR PLUS

OVEN CONTROLS  
PRE F551159



OVEN CONTROLS  
POST F551159

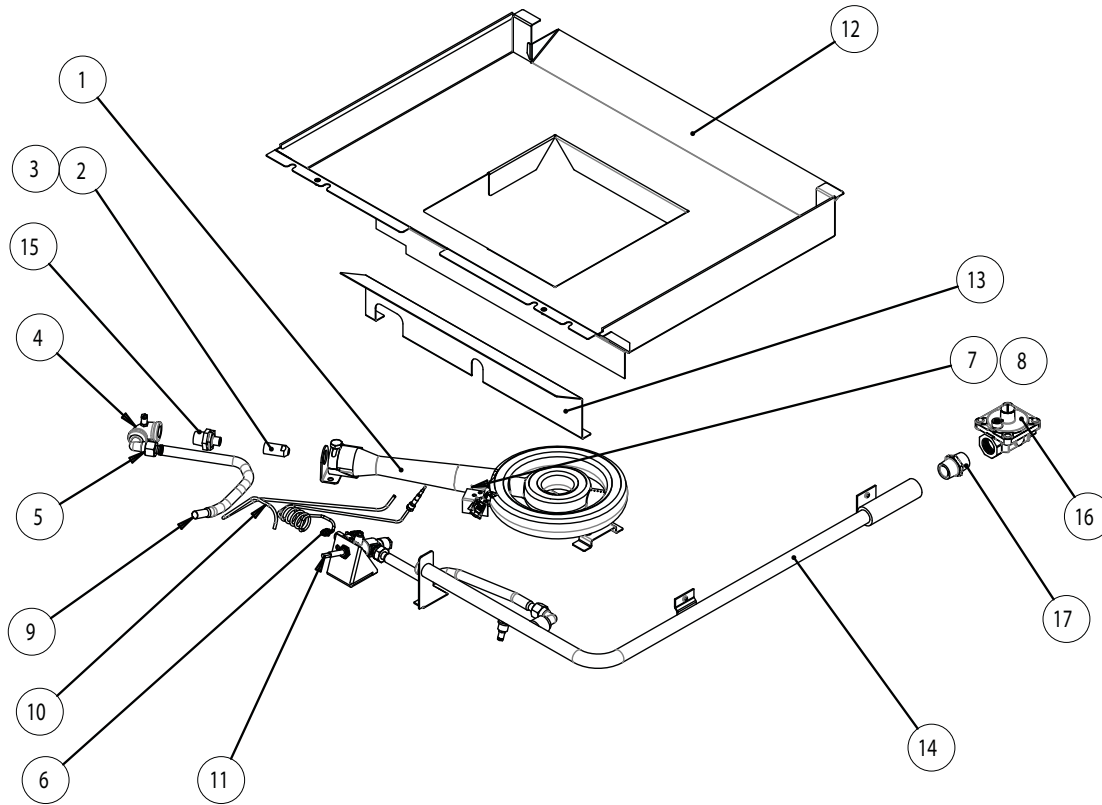


ITEM	DESCRIPTION	G3101 SPARES No	G3117 SPARES No	G3107 SPARES No
1	FLOAT RAIL	535290010	535310008	535310008
2	OVEN THERMOSTAT NAT GAS & PROPANE (PRE F551159)	535200022	535200022	535200022
	10MM OLIVE	10.1 535290012	535290012	535290012
	TUBE NUT	10.2 535290013	535290013	535290013
	NAT GAS BYPASS SCREW (76)	10.3 535290008	535290008	535290008
	PROPANE BYPASS SCREW (52)	10.4 535290014	535290014	535290014
3	OVEN FLEXI PIPE C/W OLIVES	535480082	535480082	535480082
4	OVEN PIPE COUPLING(PRE F551159)	535480042	535480042	535480042
5	ELBOW (PRE F551159)	535480041	535480041	535480041
6	INJECTOR HOLDER(PRE F551159)	535480035	535480035	535480035
7	OVEN BURNER INJECTOR NAT GAS(PRE F551159)	535480036	535480036	535480036
8	OVEN BURNER INJECTOR PROPANE (PRE F551159)	535480037	535480037	535480037
9	OVEN THERMOCOUPLE EXTENSION (PRE F551159)	535400120	535400120	535400120
10	OVEN THERMOCOUPLE (PRE F551159)	535400180	535400180	535400180
11	OVEN BURNER (PRE F551159)	535290015	535290015	535290015
12	OVEN PIEZO IGNITER	535010000	535010000	535010000
13	OVEN IGNITION ELECTRODE (PRE F551159)	535480033	535480033	535480033
14	OVEN IGNITION LEAD (NOT SHOWN) (PRE F551159)	535290016	535290016	535290016
15	GOVERNOR	535480015	535480015	535480015
16	3/4" FITTING	535480016	535480016	535480016
17	OVEN THERMOSTAT NAT GAS & PROPANE (POST F551159)	535290062	535290062	535290062
	10MM OLIVE	17.1 535290012	535290012	535290012
	TUBE NUT	17.2 535290013	535290013	535290012
	NAT GAS BYPASS SCREW (93)	17.3 535290064	535290064	535290064
	PROPANE BYPASS SCREW (55)	17.4 535290070	535290070	535290070
18	OVEN BURNER(POST F551159)	535290055	535290055	535290055
19	OVEN BURNER INJECTOR NAT GAS (POST F551159)	535290056	535290056	535290056
20	OVEN BURNER INJECTOR PROPANE (POST F551159)	535290057	535290057	535290057
21	OVEN IGNITION ELECTRODE (POST F551159)	535290059	535290059	535290059
22	OVEN THERMOCOUPLE (POST F551159)	535290058	535290058	535290058
23	OVEN BURNER COUPLING (POST F551159)	535290060	535290060	535290060
24	OVEN BURNER REDUCER (POST F551159)	535290061	535290061	535290061
25	OVEN IGNITION LEAD (POST F551159)(NOT SHOWN)	535290063	535290063	535290063
	CONVERSION KIT NAT GAS TO PROPANE (PRE F551159)	535290029	535320001	535310011
	CONVERSION KIT PROPANE TO NAT GAS (PRE F551159)	535290030	535320002	535310012
	CONVERSION KIT NAT GAS TO PROPANE (POST F551159)	535290065	535320005	535310013
	CONVERSION KIT PROPANE TO NAT GAS (POST F551159)	535290066	535320006	535310014

Issue	Alteration	Date	Product	Document Reference
B	7224	10/12/2014	G3101 oven controls	AA51835



# DOMINATOR PLUS



ITEM	DESCRIPTION	G3107 SPARES No	G3127 SPARES No
1	SOLID TOP BURNER ASSEMBLY	535410001	535410001
2	SOLID TOP INJECTOR NAT GAS	535410006	535410006
3	SOLID TOP INJECTOR PROPANE	535410007	535410007
4	ELBOW C/W TEST NIPPLE	535310000	535310000
5	SOLID TOP PIPE COUPLING	531600030	531600030
6	SOLID TOP THERMOCOUPLE	534101001	534101001
7	SOLID TOP PILOT ASSEMBLY NAT GAS No 36	535310001	535310001
7.1	PILOT ORIFICE NAT GAS No 36	530961100	530961100
8	SOLID TOP PILOT ASSEMBLY PROPANE No 19	531600055	531600055
8.1	PILOT ORIFICE PROPANE No 19	535410015	535410015
9	SOLID TOP TAP- BURNER & FLOATRAIL FLEXI PIPE C/W OLIVES	535410003	535410003
10	SOLID TOP PILOT FLEXI PIPE C/W OLIVES	535010012	535010012
11	SOLID TOP CONTROL VALVE	535310003	535310003
11.1	4mm PILOT PIPE OLIVE	535310004	535310004
11.2	PILOT PIPE TUBE NUT	535310005	535310005
11.3	12mm GAS PIPE OLIVE	535310006	535310006
11.4	GAS PIPE TUBE NUT	535310007	535310007
12	HOB BURNER TRAY	535410017	535410017
13	TAP HEATSHIELD	535220003	535220003
14	FLOAT RAIL	535310008	535350000
15	INJECTOR HOLDER	535480035	53580035
16	GOVERNOR	535480015	535480015
17	3/4" FITTING	535480016	535480016
	CONVERSION KIT NAT GAS TO PROPANE (PRE F551159)	535310011	535350002
	CONVERSION KIT PROPANE TO NAT GAS (PRE F551159)	535310012	535350003
	CONVERSION KIT NAT GAS TO PROPANE (POST F551159)	535310013	535350002
	CONVERSION KIT PROPANE TO NAT GAS (POST F551159)	535310014	535350003



Issue	Alteration	Date	Product	Document Reference
B	7178	04/12/2014	G3107/G3127 hob controls	AD48644