



TAVOLI REFRIGERATI CONCEPT LINE 2-3-4 Vani REFRIGERATED CONCEPT LINE COUNTERS 2-3-4 Compartements

CONCEPT LINE COUNTERS

This document is available from ser.N°74200001 with control Carel series IR33

Code	En.Ch	Type	Ref	Brand	Page
110439	00/00	ZHB2PNT 2 DOOR REFRIGERATED TABLE -2C-NO TOP	f1	Zanussi	2...10
110441	00/00	ZHB3PNT 3 DOOR REFRIGERATED TABLE -2C-NO TOP	g1	Zanussi	2...10
110442	00/00	ZHB4PNT 4 DOOR REFRIGERATED TABLE -2C-NO TOP	h1	Zanussi	2...10
110447	00/00	NHB2P 2 DOOR REFRIGERATED TABLE -2C	i1	Zanussi	2...10
110448	00/00	ZHB1P2C12 1 DOOR+2x1/2 DRAWER REFRIGER. TABLE -2C	l1	Zanussi	2...10
110449	00/00	ZHB1P3C 1 DOOR+3x1/3 DRAWER REFRIGER. TABLE -2C	m1	Zanussi	2...10
110451	00/00	ZHB4C 4x1/2 DRAWER REFRIGERATED TABLE -2C	a4	Zanussi	2...10
110452	00/00	ZHB3P 3 DOOR REFRIGERATED TABLE -2C	n1	Zanussi	2...10
110453	00/00	ZHB2P2C 2 DOOR+2x1/2 DRAWER REFRIGER. TABLE -2C	o1	Zanussi	2...10
110454	00/00	ZHB1P4C 1 DOOR+4x1/2 DRAWER REFRIGER. TABLE -2C	p1	Zanussi	2...10
110455	00/00	ZHB6C 6x1/2 DRAWER REFRIGERATED TABLE -2C	q1	Zanussi	2...10
110456	00/00	ZHB4P 4 DOOR REFRIGERATED TABLE -2C	r1	Zanussi	2...10
110457	00/00	ZB3P2C 3 DOOR+2x1/2 DRAWER REFRIGER. TABLE -2C	s1	Zanussi	2...10
110458	00/00	ZHB2P4C 2 DOOR+4x1/2 DRAWER REFRIGER. TABLE -2C	t1	Zanussi	2...10
110459	00/00	ZHB8C 8x1/2 DRAWER REFRIGERATED TABLE -2C	u1	Zanussi	2...10
110472	00/00	ZHB1P2C 1 DOOR+1x1/3+1x2/3 DRAWER REFR. TABLE -2C	b4	Zanussi	2...10
110476	00/00	ZHB2PU 2 DOOR REFRIGER. TABLE+SPLASHBACK -2°C	v1	Zanussi	2...10
110477	00/00	ZHB3PU 3 DOOR REFRIGER. TABLE+SPLASHBACK -2°C	w1	Zanussi	2...10
110478	00/00	ZHB4PU 4 DOOR REFRIGER. TABLE+SPLASHBACK -2°C	x1	Zanussi	2...10
190469	01/01	3 DOOR REFRIGERATED TABLE -2C	g4	To brand	2...10
727105	23/23	HB2PNT -TAV.REFRIGERATO 2V.2P No top	b	To brand	2...10
727106	23/23	HB3PNT -TAV.REFRIGERATO 3V.3P No top	p	To brand	2...10
727107	23/23	HB4PNT TAV.REF.4P No top	x	To brand	2...10
727158	08/15	HB4C TAV.REF.4X1/2 DRAWERS	n	To brand	2...10
727159	03/17	HB2PA -TAV.REFRIGERATO 2V.2P ASIA	d	To brand	2...10
727160	05/19	HB6C3A TAV.REF.6X1/3 DRAWERS ASIA	g	To brand	2...10
727161	05/19	HB4CA TAV.REF.4X1/2 DRAWERS ASIA	h	To brand	2...10
727162	04/17	HB3PA TAV.REF. 1/3 DF.9X P ASIA	q	To brand	2...10
727163	05/19	HB9CA TAV.REF. 9X1/3 DRAWERS ASIA	r	To brand	2...10



TAVOLI REFRIGERATI CONCEPT LINE 2-3-4 Vani REFRIGERATED CONCEPT LINE COUNTERS 2-3-4 Compartements

CONCEPT LINE COUNTERS

Code	En.Ch	Type	Ref	Brand	Page
727164	05/19	HB6CA TAV.REF. 6X1/2 DRAWERS ASIA	s	To brand	2...10
727165	04/17	HB2PUA -TAV.REFRIGERATO 2V.2P + upstand ASIA	c	To brand	2...10
727166	05/19	HB6C3UA TAV.REF.6X1/3 DRAWERS+ upstand ASIA	i	To brand	2...10
727167	05/19	HB4CUA TAV.REF.4X1/2 DRAWERS + upstand ASIA	l	To brand	2...10
727168	04/17	HB3PUA TAV.REF. 3 P ASIA	t	To brand	2...10
727169	05/19	HB9PUA TAV.REF. 9X1/3 DRAWERS ASIA	u	To brand	2...10
727170	05/19	HB9CUA TAV.REF. 6X1/2 DRAWERS ASIA	v	To brand	2...10
728086	27/27	HB2P -TAV.REFRIGERATO. 2V.2P.	a	To brand	2...10
728139	29/29	HB1PC12 TAV.REFRIGERATO 1DOOR+2X1/2 DRAWER	f	To brand	2...10
728157	12/27	HB1P3C TAV.1P+ 3x1/3 DRAWERS	m	To brand	2...10
728158	29/29	HB4C - TAV REFRIGERATO CONCEPT LINE SV.4C 1/2	j2	To brand	2...10
728207	27/27	HB3P TAV.REF. 3 P	z	To brand	2...10
728235	29/29	HB2P2C TAV.REF. 2 P + 2X1/2 DRAWERS	w	To brand	2...10
728241	29/29	HB1P4C TAV.REF. 1 P + 4X1/2 DRAWERS	j	To brand	2...10
728242	12/28	HB6C TAV.REF. 6X1/2 DRAWERS	y	To brand	2...10
728243	27/27	HB4P TAV.REF.4P	a1	To brand	2...10
728244	29/29	HB3P2C TAV.REF.3P + 2x1/2 DRAWERS	b1	To brand	2...10
728245	29/29	HB2P4C TAV.REF.2P + 4x1/2 DRAWERS	c1	To brand	2...10
728246	12/28	HB8C TAV.REF.8x1/2 DRAWERS	d1	To brand	2...10
728302	28/28	HB1P2C TAV REF.1P+1X1/3+1X2/3	o	To brand	2...10
728509	24/24	HB2PU -TAV.REFRIGERATO 2V.2P + upstand	e	To brand	2...10
728510	24/24	HB3PU TAV.REF.2P+ upstand	k	To brand	2...10
728511	24/24	HB4PU TAV.REF.4P + upstand	e1	To brand	2...10
729183	00/00	AHB2PNT 2 DOOR REFRIGERATED TABLE -2C-NO TOP	y1	Alpen	2...10
729184	00/00	AHB3PNT 3 DOOR REFRIGERATED TABLE -2C-NO TOP	z1	Alpen	2...10
729185	00/00	AHB4PNT 4 DOOR REFRIGERATED TABLE -2C-NO TOP	a2	Alpen	2...10
729189	00/00	AHB2P 2 DOOR REFRIGERATED TABLE -2C	b2	Alpen	2...10
729190	00/00	AHB1P2C12 1 DOOR+2x1/2 DRAWER REFRIGER. TABLE -2C	c2	Alpen	2...10
729191	00/00	AHB3P 3 DOOR REFRIGERATED TABLE -2C	e2	Alpen	2...10
729192	00/00	AHB2P2C 2 DOOR+2x1/2 DRAWER REFRIGER. TABLE -2C	f2	Alpen	2...10
729193	00/00	AHB1P4C 1 DOOR+4x1/2 DRAWER REFRIGER. TABLE -2C	g2	Alpen	2...10
729194	00/00	AHB6C 6x1/2 DRAWER REFRIGERATED TABLE -2C	h2	Alpen	2...10
729195	00/00	AHB4P 4 DOOR REFRIGERATED TABLE -2C	i2	Alpen	2...10



TAVOLI REFRIGERATI CONCEPT LINE 2-3-4 Vani REFRIGERATED CONCEPT LINE COUNTERS 2-3-4 Compartements

CONCEPT LINE COUNTERS

Code	En.Ch	Type	Ref	Brand	Page
729196	00/00	AB3P2C 3 DOOR+2x1/2 DRAWER REFRIGER. TABLE -2C	l2	Alpen	2...10
729197	00/00	AHB2P4C 2 DOOR+4x1/2 DRAWER REFRIGER. TABLE -2C	m2	Alpen	2...10
729198	00/00	AHB8C 8x1/2 DRAWER REFRIGERATED TABLE -2C	n2	Alpen	2...10
729212	00/00	AHB1P2C 1 DOOR+1x1/3+1x2/3 DRAWER REFR. TABLE -2C	c4	Alpen	2...10
729215	00/00	AHB2PU 2 DOOR REFRIGER. TABLE+SPLASHBACK -2°C	o2	Alpen	2...10
729216	00/00	AHB3PU 3 DOOR REFRIGER. TABLE+SPLASHBACK -2°C	p2	Alpen	2...10
729217	00/00	AHB4PU 4 DOOR REFRIGER. TABLE+SPLASHBACK -2°C	q2	Alpen	2...10
729249	00/00	AHB1P3C 1 DOOR+3x1/3 DRAWER REFRIGER. TABLE -2C	d2	Alpen	2...10
729250	00/00	AHB4C 4x1/2 DRAWER REFRIGERATED TABLE -2C	d4	Alpen	2...10
729401	00/00	NHB2P 2 DOOR REFRIGERATED TABLE -2C	r2	OEM	2...10
729402	00/00	NHB1P2C12 1 DOOR+2x1/2 DRAWER REFRIGER. TABLE -2C	s2	OEM	2...10
729403	00/00	NHB1P3C 1 DOOR+3x1/3 DRAWER REFRIGER. TABLE -2C	t2	OEM	2...10
729404	00/00	NHB1P2C12 1 DOOR+2x1/2 DRAWER REFRIGER. TABLE -2C	e4	OEM	2...10
729405	00/00	NHB3P 3 DOOR REFRIGERATED TABLE -2C	u2	OEM	2...10
729406	00/00	NHB2P2C 2 DOOR+2x1/2 DRAWER REFRIGER. TABLE -2C	v2	OEM	2...10
729407	00/00	NHB1P4C 1 DOOR+4x1/2 DRAWER REFRIGER. TABLE -2C	w2	OEM	2...10
729408	00/00	NHB6C 6x1/2 DRAWER REFRIGERATED TABLE -2C	x2	OEM	2...10
729409	00/00	NHB4P 4 DOOR REFRIGERATED TABLE -2C	y2	OEM	2...10
729410	00/00	NB3P2C 3 DOOR+2x1/2 DRAWER REFRIGER. TABLE -2C	z2	OEM	2...10
729411	00/00	NHB2P4C 2 DOOR+4x1/2 DRAWER REFRIGER. TABLE -2C	a3	OEM	2...10
729412	00/00	NHB8C 8x1/2 DRAWER REFRIGERATED TABLE -2C	b3	OEM	2...10
729424	00/00	NHB1P2C 1 DOOR+1x1/3+1x2/3 DRAWER REFR. TABLE -2C	f4	OEM	2...10
729427	00/00	NHB2PU 2 DOOR REFRIGER. TABLE+SPLASHBACK -2°C	c3	OEM	2...10
729428	00/00	NHB3PU 3 DOOR REFRIGER. TABLE+SPLASHBACK -2°C	d3	OEM	2...10
729429	00/00	NHB4PU 4 DOOR REFRIGER. TABLE+SPLASHBACK -2°C	e3	OEM	2...10

Note: per la corretta identificazione dei componenti, attenersi esclusivamente alle pagine indicate e alla lettera di riferimento.

Note: for the correct identification of the components, follow the indicated pages and the reference letter.

Note: from 18/10/2012 the components on pages 3(pos.6-7-8),5 (54-63-73-74) have been updated
from 09/2014 cell and evaporator probes have been replaced with a new model, the main differences are the color of cable and type of sensor, this new probe replace the previous model without add new updates at digital control.
Ser:N°8500001

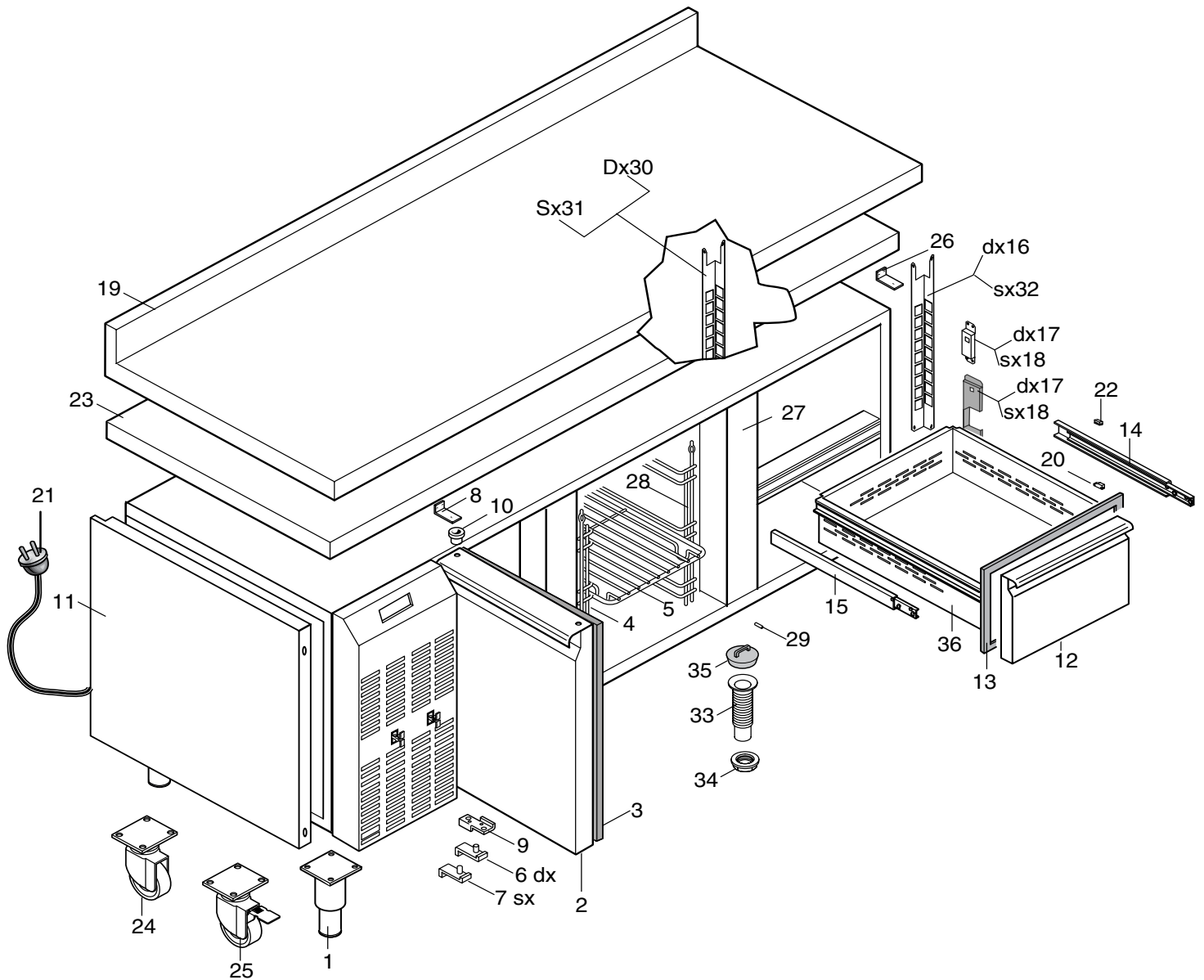
Pag./Page Indice

4	Esploso tavolo
5	Lista ricambi
6	Esploso gruppo frigerato
7..10	Lista ricambi

Index

Counter exploded view
Spare parts list
Refrigerated cooling unit exploded view
Spare parts list

Rev: 4



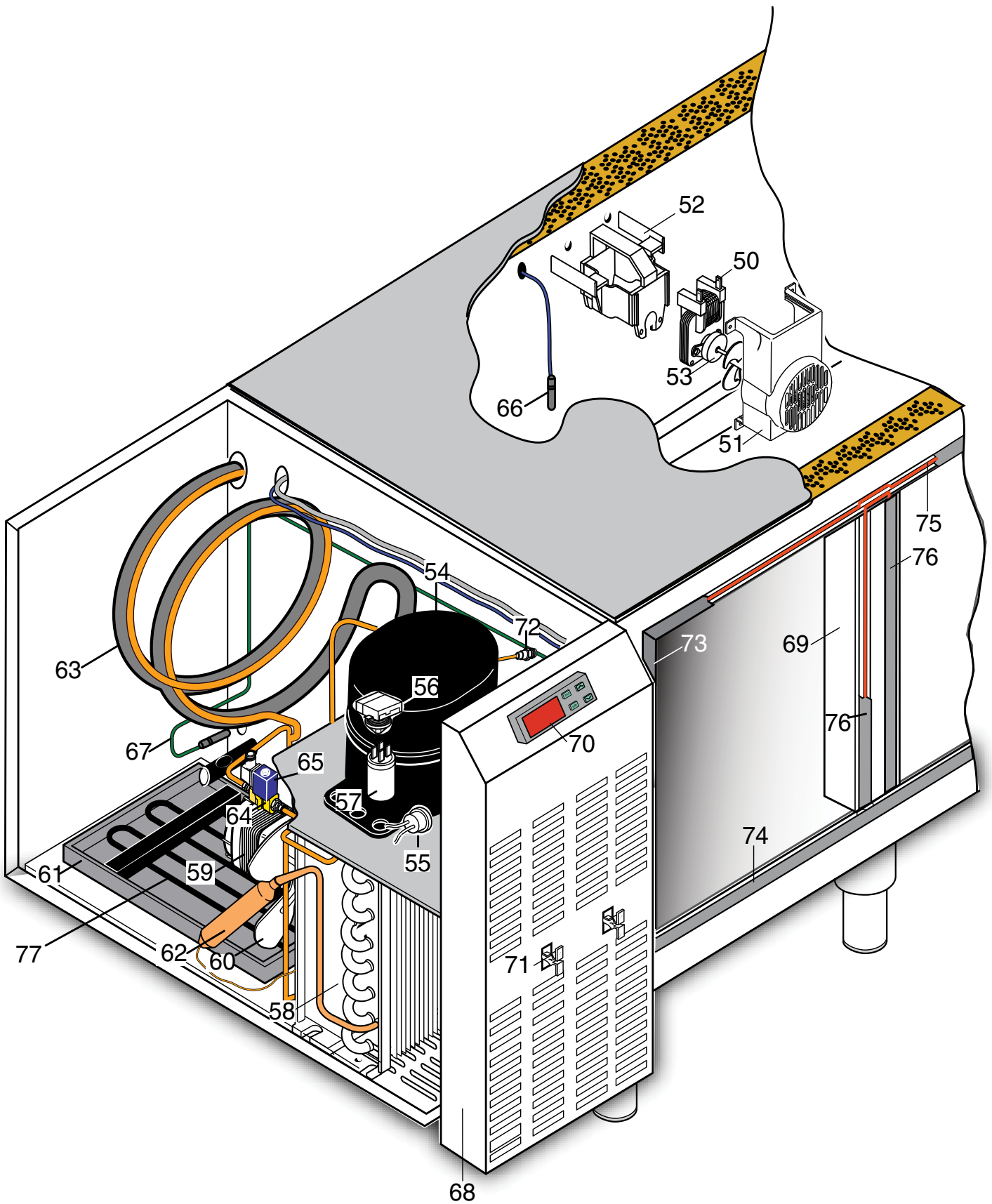
Kit cassetiera 1/2 codice 9F 880118
 Kit drawers 1/2 code 9F 880118
 Kit Drawers 1/3 9F 880115
 Kit cassetiera 1/3 9F 880115
 Kit cassetiera 1/3-2\3 9F 880126
 Kit Drawers 1/3-2\3 9F 880126

Kit porta dx 099545
 Kit door right 099545
 Kit door left 099546
 Kit porta sx 099546

Concept line counters

Pos	Code	Descrizione	Description	Ref/Notes
		RIFERIMENTO PAG 2	REFERENCE PAGE 2	
1	091610	Piedino	Foot	
2	099547	Porta	Door	a,b,c,d,e,f,m,o,p,q,t,z,w,j,k,x,a1,b1, c1,e1,f1,h1,i1,l1,m1,n1,o1,p1,r1,s1,t1, v1,w1,x1,y1,a2,b2,c2,d2,e2,f2,g2,i2,l2, m2,o2,p2,q2,r2,s2,t2,u2,v2,w2,y2,z2, a3,c3,d3,e3,b4,c4,f4
3	099531	Guarnizione porta	Door gasket	a,b,c,d,e,f,m,o,p,q,t,z,w,j,k,x,a1,b1, c1,e1,f1,h1,i1,l1,m1,n1,o1,p1,r1,s1,t1, v1,w1,x1,y1,a2,b2,c2,d2,e2,f2,g2,i2,l2, m2,o2,p2,q2,r2,s2,t2,u2,v2,w2,y2,z2, a3,c3,d3,e3,b4,c4,f4
4	099532	Struttura per griglia (sx)	Support for shelf (left)	a,b,c,d,e,f,m,o,p,q,t,z,w,j,k,x,a1,b1, c1,e1,f1,h1,i1,l1,m1,n1,o1,p1,r1,s1,t1, v1,w1,x1,y1,a2,b2,c2,d2,e2,f2,g2,i2,l2, m2,o2,p2,q2,r2,s2,t2,u2,v2,w2,y2,z2, a3,c3,d3,e3,b4,c4,f4
5	083615	Griglia	Shelf	a,b,c,d,e,f,m,o,p,q,t,z,w,j,k,x,a1,b1, c1,e1,f1,h1,i1,l1,m1,n1,o1,p1,r1,s1,t1, v1,w1,x1,y1,a2,b2,c2,d2,e2,f2,g2,i2,l2, m2,o2,p2,q2,r2,s2,t2,u2,v2,w2,y2,z2, a3,c3,d3,e3,b4,c4,f4
6	099533	Cerniera inferiore porta dx	Lower door hinge (right)	a,b,c,d,e,f,m,o,p,q,t,z,w,j,k,x,a1,b1, c1,e1,f1,h1,i1,l1,m1,n1,o1,p1,r1,s1,t1, v1,w1,x1,y1,a2,b2,c2,d2,e2,f2,g2,i2,l2, m2,o2,p2,q2,r2,s2,t2,u2,v2,w2,y2,z2, a3,c3,d3,e3,b4,c4,f4 up to 027070..
6	092794	Cerniera inferiore porta dx	Lower door hinge (right)	a,b,c,d,e,f,m,o,p,q,t,z,w,j,k,x,a1,b1, c1,e1,f1,h1,i1,l1,m1,n1,o1,p1,r1,s1,t1, v1,w1,x1,y1,a2,b2,c2,d2,e2,f2,g2,i2,l2, m2,o2,p2,q2,r2,s2,t2,u2,v2,w2,y2,z2, a3,c3,d3,e3,b4,c4,f4 from 027070..)
7	099534	Cerniera inferiore porta sx	Lower hinge door (left)	a,b,c,d,e,f,m,o,p,q,t,z,w,j,k,x,a1,b1, c1,e1,f1,h1,i1,l1,m1,n1,o1,p1,r1,s1,t1, v1,w1,x1,y1,a2,b2,c2,d2,e2,f2,g2,i2,l2, m2,o2,p2,q2,r2,s2,t2,u2,v2,w2,y2,z2, a3,c3,d3,e3,b4,c4,f4 up to 027070..
7	092792	Cerniera inferiore porta sx	Lower hinge door (left)	a,b,c,d,e,f,m,o,p,q,t,z,w,j,k,x,a1,b1, c1,e1,f1,h1,i1,l1,m1,n1,o1,p1,r1,s1,t1, v1,w1,x1,y1,a2,b2,c2,d2,e2,f2,g2,i2,l2, m2,o2,p2,q2,r2,s2,t2,u2,v2,w2,y2,z2, a3,c3,d3,e3,b4,c4,f4 from 027070..
8	099535	Cerniera superiore porta	Upper hinge for door	a,b,c,d,e,f,m,o,p,q,t,z,w,j,k,x,a1,b1, c1,e1,f1,h1,i1,l1,m1,n1,o1,p1,r1,s1,t1, v1,w1,x1,y1,a2,b2,c2,d2,e2,f2,g2,i2,l2, m2,o2,p2,q2,r2,s2,t2,u2,v2,w2,y2,z2, a3,c3,d3,e3,b4,c4,f4 up to 027070..
8	092793	Cerniera superiore porta	Upper hinge for door	a,b,c,d,e,f,m,o,p,q,t,z,w,j,k,x,a1,b1, c1,e1,f1,h1,i1,l1,m1,n1,o1,p1,r1,s1,t1, v1,w1,x1,y1,a2,b2,c2,d2,e2,f2,g2,i2,l2, m2,o2,p2,q2,r2,s2,t2,u2,v2,w2,y2,z2, a3,c3,d3,e3,b4,c4,f4 from 027070..
9	089146	Fermo porta inferiore	Lower door stoppers	
10	081807	Boccola per cerniera superiore	Bush for upper hinge	
11	089965	Pannello laterale gruppo	Side cover for cooling	
12	*	Frontale Cassetto 1/2	Front Drawer 1/2	f,j,w,y,b1,c1,d1,l1,o1,p1,q1,s1,t1,u1, c2,f2,g2,h2,j2,l2,m2,n2,s2,v2,w2,x2, z2,a3,b3,a4,d4,e4

Refrigerated



Concept line counters

Pos	Code	Descrizione	Description	Ref/Notes
12	099537	Frontale Cassetto 1/3	Front Drawer 1/3	g,i,m,o,r,u,m1,d2,t2,b4,c4,f4
12	099718	Frontale Cassetto 2/3	Front Drawer 2/3	o,b4,c4,f4
13	099538	Guarnizione cassetto 1/2	Drawer gasket 1/2	f,h,l,n,s,v,w,j,y,b1,c1,d1,l1,o1,p1,q1,s1,t1,u1,c2,f2,g2,h2,l2,m2,n2,s2,v2,w2,x2,z2,a3,b3
13	099539	Guarnizione cassetto 1/3	Drawer gasket 1/3	g,i,m,o,r,u,m1,d2,t2 ,b4,c4,f4
13	099719	Guarnizione cassetto 2/3	Drawer gasket 2/3	o,b4,c4,f4
14	089149	Guida dx per cassetto 1/2-2\3	Right runner for drawer 1/2-2\3	f,h,l,n,s,v,w,j,y,b1,c1,d1,l1,o1,p1,q1,s1,t1,u1,c2,f2,g2,h2,l2,m2,n2,s2,v2,w2,x2,z2,a3,b3
14	0A9366	Guida dx per cassetto1/3	Right runner for drawer 1/3	g,i,m,o,r,u,m1,d2,t2,b4,c4,f4
15	089150	Guida sx per cassetto1/2-2\3	Left runner for drawer 1/2-2\3	f,h,l,n,s,v,w,j,y,b1,c1,d1,l1,o1,p1,q1,s1,t1,u1,c2,f2,g2,h2,l2,m2,n2,s2,v2,w2,x2,z2,a3,b3
15	0A9367	Guida sx per cassetto1/3	Left runner for drawer 1/3	g,i,m,o,r,u,m1,d2,t2,b4,c4,f4
16	099540	Supporto dx anteriore1/3	Right front support 1/3	g,i,m,r,u,m1,d2,t2
16	099720	Supporto dx anteriore2\3	Right front support 2\3	o,b4,c4,f4
17	089152	Supporto dx ant. per guide cass. 1/2	Right support for drawer runner	f,h,l,n,s,v,w,j,y,b1,c1,d1,l1,o1,p1,q1,s1,t1,u1,c2,f2,g2,h2,l2,m2,n2,s2,v2,w2,x2,z2,a3,b3 up to 6381...
17	095104	Supporto dx ant. per guide cass. 1/2	Right support for drawer runner	f,h,l,n,s,v,w,j,y,b1,c1,d1,l1,o1,p1,q1,s1,t1,u1,c2,f2,g2,h2,l2,m2,n2,s2,v2,w2,x2,z2,a3,b3 from 6391...
18	089153	Supporto sx per guide cass. 1/2	Left support for drawer runner	f,h,l,n,s,v,w,j,y,b1,c1,d1,l1,o1,p1,q1,s1,t1,u1,c2,f2,g2,h2,l2,m2,n2,s2,v2,w2,x2,z2,a3,b3 up to 6381...
18	095105	Supporto sx per guide cass. 1/2	Left support for drawer runner	f,h,l,n,s,v,w,j,y,b1,c1,d1,l1,o1,p1,q1,s1,t1,u1,c2,f2,g2,h2,l2,m2,n2,s2,v2,w2,x2,z2,a3,b3 from 6391...
19	089154	Alzatina 2 vani	Upstand top two compartement	c,e,i,l
19	089155	Alzatina 3 vani	Upstand top three compartement	t,u,v,k,w1,p2,d3
19	089156	Alzatina 4 vani	Upstand top four compartement	e1,x1,q2,e3
20	089157	Arresto posteriore per guide cass.	Rear stopping for runners drawer	f,g,i,m,o,r,u,l1,c2,s2,m1,d2,t2,b4,c4,f4
21	099991	Cavo di alimentazione SCHUKO	SCHUKO supply cable	all except g4
22	089159	Arresto anteriore per guide cass.	Front stooping for runners drawer	f,g,i,m,o,r,u,l1,c2,s2,m1,d2,t2,b4,c4,f4
23	089160	Ripiano senza alzatina 2V	Top without upstand 2 comp.	a,d,f,g,h,m,n,o,i1,l1,b2,c2,r2,s2,b4,c4,f4
23	089161	Ripiano senza alzatina 3V	Top without upstand 3 comp.	q,r,s,z,w,j,y,n1,o1,p1,q1,e2,f2,g2,h2,u2,v2,w2,x2
23	089162	Ripiano senza alzatina 4V	Top without upstand 4 comp.	a1,b1,c1,d1,r1,s1,t1,u1,i2,l2,m2,n2,y2,z2,a3,b3
24	087111	Ruota	Wheel	
25	087110	Ruota con freno	Wheel with brake	
26	089165	Staffa fissaggio piano	Braket for fixing top	f,g,h,i,l,m,n,o,r,s,v,w,j,y,b1,c1,d1,l1,m1,o1,p1,q1,s1,t1,u1,c2,d2,f2,g2,h2,l2,m2,n2,s2,t2,v2,w2,x2,z2,a3,b3,b4,c4,f4
27	099424	Assieme montante plastica	Central support in plastic	all except c,d,g,h,i,l,q,r,s,t,u,v
27	099882	Assieme montante (schiumato)	Central support (with fomed)	c,d,g,h,i,l,q,r,s,t,u,v until sn°848....

Pos	Code	Descrizione	Description	Ref/Notes
27	092108	Assieme montante (schiumato)	Central support (with fomed)	c,d,g,h,i,l,q,r,s,t,u,v from sn°849.....
28	099541	Struttura per griglia (dx)	Support for shelf (right)	a,b,e,f,j,k,m,o,p,w,x,z,a1,b1,c1,e1, ,b4,c4,f4 up to 4241...
28	094349	Struttura per griglia (dx)	Support for shelf (right)	a,b,e,f,j,k,m,o,p,w,x,z,a1,b1,c1,e1,f1, g1,h1,i1,l1,m1,n1,o1,p1,r1,s1,t1,v1, w1,x1,y1,z1,a2,b2,c2,d2,e2,f2,g2,i2,l2, m2,o2,p2,q2,r2,s2,t2,u2,v2,w2,y2,z2, a3,c3,d3,e3,b4,c4,f4 from 4251...
29	082757	Perno (per struttura per griglia)	Pin (install in the back support grid)	a,b,c,d,e,f,m,o,p,q,t,z,w,j,k,x,a1,b1, c1,e1,f1,h1,i1,l1,m1,n1,o1,p1,r1,s1,t1, v1,w1,x1,y1,a2,b2,c2,d2,e2,f2,g2,i2,l2, m2,o2,p2,q2,r2,s2,t2,u2,v2,w2,y2,z2, a3,c3,d3,e3
30	099542	Supporto posteriore dx per 1/3	Right back support for 1/3	g,i,m,o,r,u,m1,d2,t2,b4,c4,f4
30	089151	Crema di ghiaccio posteriore per 1/2	Back rack for drawer runner for 1/2	f,h,i,n,v,s,w,j,y,b1,c1,d1,l1,o1,p1,q1,s1, t1,u1,c2,f2,g2,h2,l2,m2,n2,s2,v2,w2, x2,z2,a3,b3
31	099543	Supporto posteriore sx per 1/3	Left back support for 1/3	g,i,m,o,r,u,m1,d2,t2,b4,c4,f4
31	089151	Crema di ghiaccio posteriore per 1/2	Back rack for drawer runner for 1/2	f,h,i,n,v,s,w,j,y,b1,c1,d1,l1,o1,p1,q1,s1, t1,u1,c2,f2,g2,h2,l2,m2,n2,s2,v2,w2, x2,z2,a3,b3
32	099544	Supporto anteriore per 1/3 sx	Left front support for 1/3	g,i,m,r,u,m1,d2,t2
32	099721	Supporto anteriore per 2\3 sx	Left front support for 2\3	o,b4,c4,f4
33	081823	Piletta	Pipe	p,q,r,s,t,u,v,z,w,J,y,k,x,a1,b1,c1,d1,e1 g1,h1,n1,o1,p1,q1,r1,s1,t1,u1,x1,z1,a2, e2,f2,g2,h2,i2,l2,m2,n2,q2,u2,v2,w2, x2,y2,z2,a3,b3,e3
34	081797	Controdado	Nut	p,q,r,s,t,u,v,z,w,J,y,k,x,a1,b1,c1,d1,e1 g1,h1,n1,o1,p1,q1,r1,s1,t1,u1,x1,z1,a2, e2,f2,g2,h2,i2,l2,m2,n2,q2,u2,v2,w2, x2,y2,z2,a3,b3,e3
35	085535	Tappo	Plug	p,q,r,s,t,u,v,z,w,J,y,k,x,a1,b1,c1,d1,e1 g1,h1,n1,o1,p1,q1,r1,s1,t1,u1,x1,z1,a2, e2,f2,g2,h2,i2,l2,m2,n2,q2,u2,v2,w2, x2,y2,z2,a3,b3,e3
36	091363	Involucro cassetto 1/2	Drawer bin 1/2	f,h,i,n,o,s,v,w,j,y,b1,c1,d1,l1,o1,p1, q1,s1,t1,u1,c2,f2,g2,h2,l2,m2,n2,s2, v2,w2,x2,z2,a3,b3,e3,b4,c4,f4
36	091875	Involucro cassetto 1/3	Drawer bin 1/3	g,i,m,o,m1,d2,t2,b4,c4,f4
		RIFER. PAG 4 (GRUPPO)	REFER. PAGE 4 (COOLING)	
50	089166	Ventilatore cella con ventola	Motor-ventilator with fan for cell	(with cable 2150mm) all (in the left side)
50	089167	Ventilatore cella con ventola	Motor-ventilator with fan for cell	(with cable 2600mm) for 3-4 compartement (in the
50	089168	Ventilatore cella con ventola	Motor-ventilator with fan for cell	(with cable 3050mm) for 4 compartement (in the
51	089169	Convogliatore per ventilatore cella	Conveyor for cell motor-ventilator	
52	089182	Supporto ventilatore cella	Support cell motor-ventilator	
53	0A8719	Gommino per ventilatore	Rubber for motor-ventilator	

Pos	Code	Descrizione	Description	Ref/Notes
54	089170	Compressore ML60TB	Compressor ML60TB	up to 146070..(2011)
54	093208	Compressore EMT6165GK	Compressor EMT6165GK	from to 147070..(2011)
55	089189	Protettore	Clixson	
55	089186	Protettore	Clixson	
56	089187	Rele' per compressore	Relay for compressor	
57	089188	Condensatore elettrico per compres.	Electric condenser for compresor	
58	089171	Condensatore	Condenser	for 2/3 compartement
58	089172	Condensatore	Condenser	for 4 compartement
59	085674	Ventilatore condensatore	Motor-ventilator for condenser	
60	082874	Ventola condensatore	Condenser fan	
61	084585	Bacinella per condensa	Tray condenser	
62	084078	Filtro deidratore	Dehydrator filter	
63	089173	Scambiatore	Heat exchanger	up to 146070..(2011)
63	093222	Scambiatore	Heat exchanger	from to 147070..(2011)
64	087694	Valvola solenoide	Solenoid valve	
65	085847	Bobina per valvola solenoide	Coil for solenoid valve	
66	092175	Sonda cella "blue" S1	Cell probe "blue" S1	it'll replace the old 088183 from serial n°850.
66	088405	Sonda cella "S1"	Cell probe "S1"	it'll be out production from serial n°8490.....
67	099660	Sonda evaporatore	Evaporator/defrost probe	it'll be out production from serial n°8490.....
67	092179	Sonda di sbrinamento "green" S2	Defrost probe "green" S2	it'll replace the old 088183 from serial n°850.
68	091678	Cruscotto comandi senza compon.	Contol panel (without componets)	
69	099424	Montante centrale in plastica	Central support	a,b,e,f,m,n,o,p,w,j,y,x,a1,b1,c1,d1,e1,f1,g1,i1,l1,m1,o1,p1,q1,r1,s1,t1,u1,v1,x1,y1,z1,b2,c2,d2,f2,g2,h2,i2,l2,m2,n2,o2,q2,r2,s2,t2,v2,w2,x2,y2,z2,a3,b3,c3,e3,b4,c4,f4
69	099882	Montante centrale schiumato	Central support	c,d,g,h,i,l,q,r,s,t,v until serial n°848.....
69	092108	Montante centrale schiumato	Central support	d,g,h,q,r,s,i,l,t,u,v from serial n°849.....
70	091609	Termoregolatore IR33	Thermoregulator IR33	(set the value)
71	053342	Molla per arresto marchio	Brand plate retainig spring	
72	0A8171	Valvola di ricarica compressore	Charge /discharge valve for compres.	
73	099857	Riscontro verticale	Vertical frame	a,b,e,f,m,n,o,p,z,w,j,y,k,x,a1,b1,c1,d1,e1,f1,g1,h1,i1,l1,m1,n1,o1,p1,r1,s1,t1,u1,v1,w1,x1,y1,z1,a2,b2,c2,d2,e2,f2,g2,i2,l2,m2,n2,o2,p2,q2,r2,s2,t2,u2,v2,w2,y2,z2,a3,b3,c3,d3,e3,b4,c4,f4 up to 041070..(2010)
73	091827	Riscontro verticale	Vertical frame	a,b,e,f,m,n,o,p,z,w,j,y,k,x,a1,b1,c1,d1,e1,f1,g1,h1,i1,l1,m1,n1,o1,p1,r1,s1,t1,u1,v1,w1,x1,y1,z1,a2,b2,c2,d2,e2,f2,g2,i2,l2,m2,n2,o2,p2,q2,r2,s2,t2,u2,v2,w2,y2,z2,a3,b3,c3,d3,e3,b4,c4,f4 from 042070..(2010)
73	091827	Riscontro verticale	Vertical frame	c,d,g,h,i,l,q,s,t,v
73	091828	Riscontro verticale	Vertical frame	g,i,u

Concept line counters

Pos	Code	Descrizione	Description	Ref/Notes
74	091876	Riscontro orrizontale	Orizontal frame	a,b,e,f,m,n,o,f1,i1,l1,m1,v1,y1,b2,c2,d2,o2,r2,s2,t2,c3,b4,c4,f4 up to 041070..(2010)
74	091825	Riscontro orrizontale	Orizontal frame	a,b,e,f,m,n,o,f1,i1,l1,m1,v1,y1,b2,c2,d2,o2,r2,s2,t2,c3 from to 042070..(2010)
74	091877	Riscontro orrizontale	Orizontal frame	p,z,j,y,k,g1,n1,p1,q1,w1,z1,e2,f2,g2,h2,p2,u2,v2,w2,x2,d3 up to 041070..(2010)
74	091826	Riscontro orrizontale	Orizontal frame	p,z,j,y,k,g1,n1,p1,q1,w1,z1,e2,f2,g2,h2,p2,u2,v2,w2,x2,d3 from to 042070..(2010)
74	091825	Riscontro orrizontale	Orizontal frame	c,d,g,h,i,l
74	091826	Riscontro orrizontale	Orizontal frame	q,s,t,u,v
74	099858	Riscontro orrizontale	Orizontal frame	x,a1,b1,c1,d1,h1,s1,t1,u1,a2,l2,m2,n2,z2,a3,b3 up to 041070..(2010)
74	092867	Riscontro orrizontale	Orizontal frame	x,a1,b1,c1,d1,h1,s1,t1,u1,a2,l2,m2,n2,z2,a3,b3 from to 042070..(2010)
75	091133	Cavo riscaldante	Heating cable	c,d
75	099889	Cavo riscaldante	Heating cable	g,i
75	091801	Cavo riscaldante	Heating cable	h,l
75	091134	Cavo riscaldante	Heating cable	q,t
75	091803	Cavo riscaldante	Heating cable	r,u
75	091802	Cavo riscaldante	Heating cable	s,v
76	091829	Riscontro montante C2+porte	Central frame support doors+C2	c,d,h,l,q,s,t until serial n°848.....
76	500R87201	Riscontro montante C2+porte	Central frame support doors+C2	d,h,q,s,c,l,t from serial n°849.....
76	091830	Riscontro montante C3	Central frame support C3	g,i,r,u,v until serial n°848.....
76	500R87301	Riscontro montante C3	Central frame support C3	g,i,r,u,v from serial n°849.....
77	095471	Tubo del gas caldo per evaporazione della condensa	Hot gas line pipe in the condensing bowl	
*	087122	Dispo.fissaggio compressore	Component to fix compressor	
*	091612	Adesivo temp.-2/+10°C	Sticker temp.-2/+10°C	