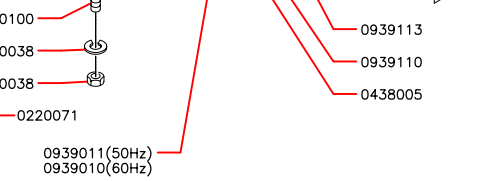
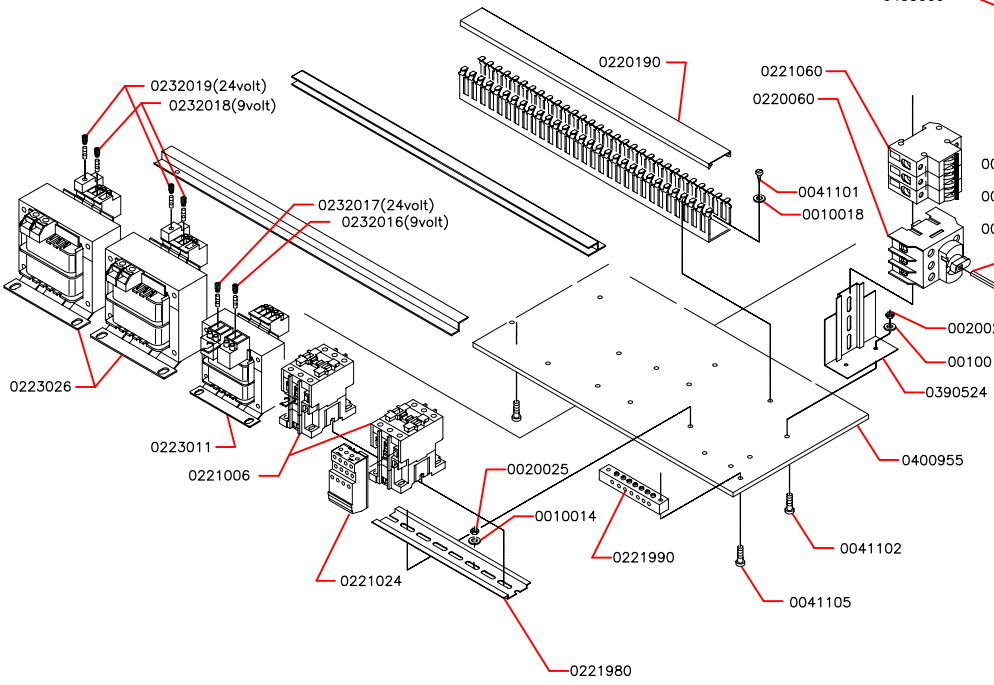
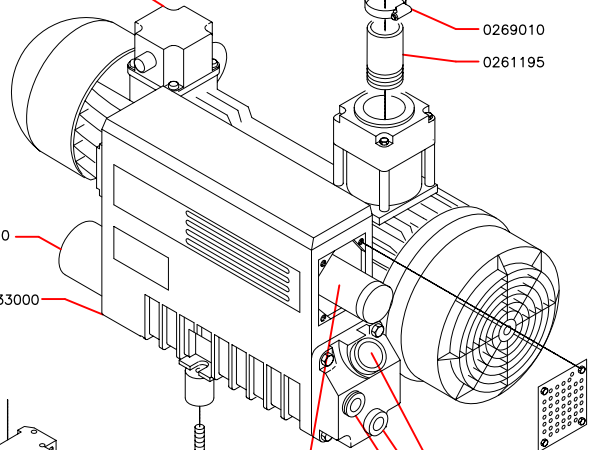
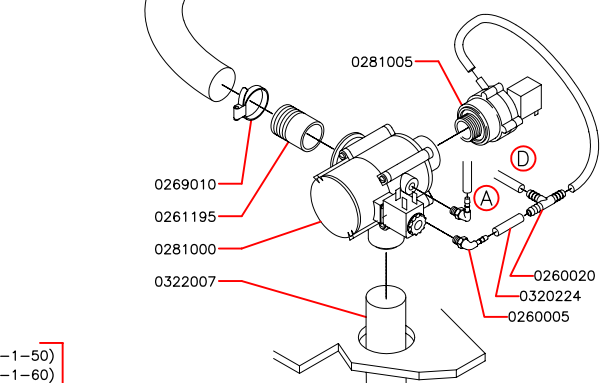
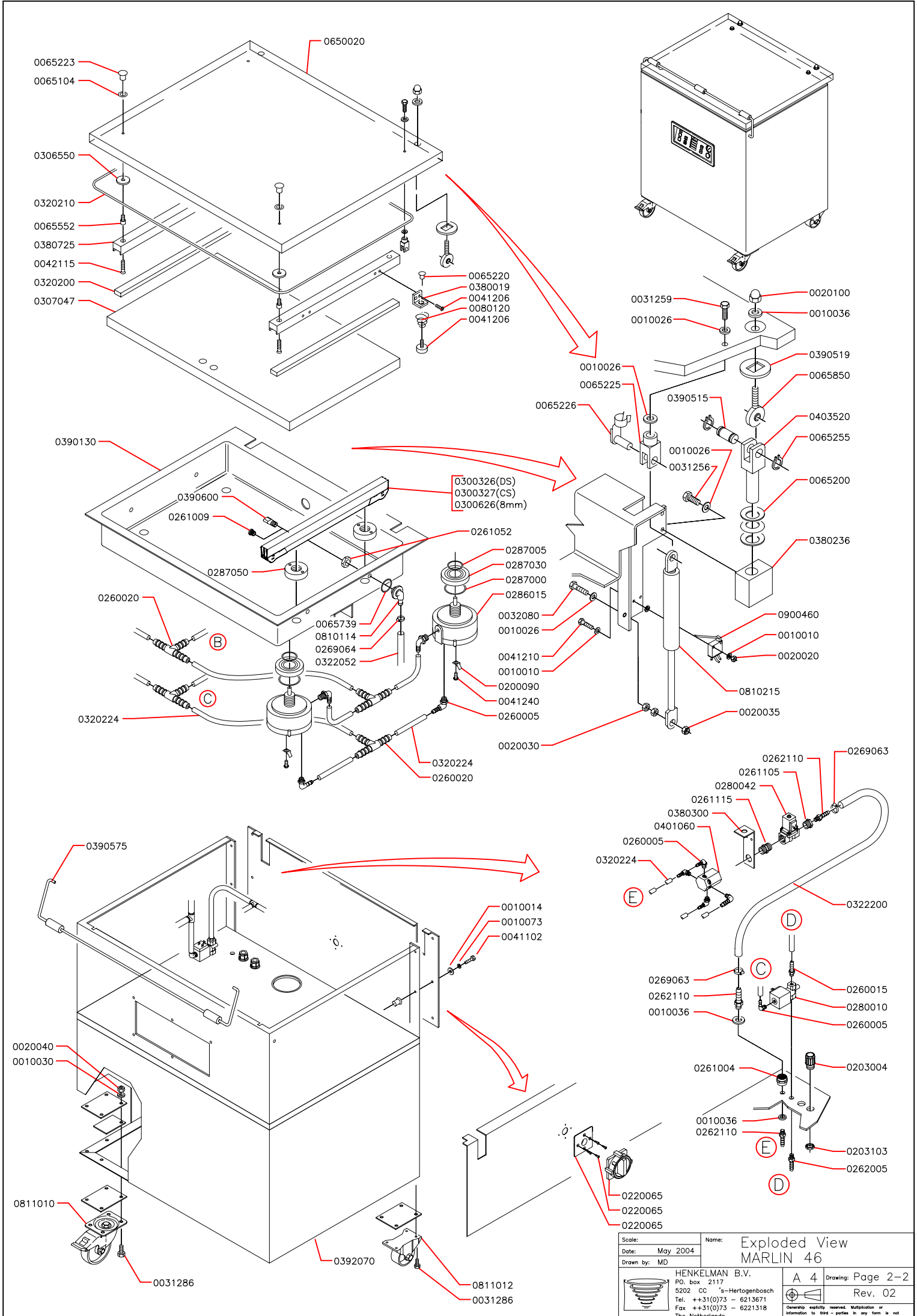


- 0433010(220-240-1-50)
- 0433500(220-230-1-60)
- 0433000(230-400-3-50)
- 0433125(230-400-3-50)
- 0433700(190-210/380-420-3-50/60)





- 0065223
- 0065104
- 0306550
- 0320210
- 0065552
- 0380725
- 0042115
- 0320200
- 0307047

- 0390130
- 0390600
- 0261009
- 0287050
- 0260020
- 0065739
- 0810114
- 0269064
- 0322052
- 0320224

- 0390575
- 0020040
- 0010030
- 0811010
- 0031286
- 0392070

- 0065220
- 0380019
- 0041206
- 0080120
- 0041206

- 0300326(DS)
- 0300327(CS)
- 0300626(8mm)

- 0261052
- 0287005
- 0287030
- 0287000
- 0286015
- 0032080
- 0010026
- 0041210
- 0010010
- 0200090
- 0041240
- 0260005

- 0320224
- 0260020

- 0010014
- 0010073
- 0041102

- 0811012
- 0031286
- 0220065
- 0220065
- 0220065

- 0031259
- 0010026
- 0020100
- 0010036

- 0010026
- 0065225
- 0065226
- 0390515
- 0010026
- 0031256

- 0390519
- 0065850
- 0403520
- 0065255
- 0065200

- 0380236
- 0900460
- 0010010
- 0020020
- 0810215
- 0020035

- 0262110
- 0261105
- 0280042
- 0261115
- 0380300
- 0401060
- 0260005
- 0320224

- 0262110
- 0261105
- 0280042
- 0261115
- 0380300
- 0401060
- 0260005
- 0320224

- 0269063
- 0262110
- 0010036
- 0260015
- 0280010
- 0260005

- 0261004
- 0010036
- 0262110
- 0203004
- 0203103
- 0262005

Scale:	Name:
Date: May 2004	Exploded View
Drawn by: MD	MARLIN 46
HENKELMAN B.V. PO. box 2117 5202 CC 's-Hertogenbosch Tel: ++31(0)73 - 6213671 Fax: ++31(0)73 - 6221318 The Netherlands	
A 4	Drawing: Page 2-2
Rev. 02 <small>Oversite quality reserved. Multiplication or information to third parties in any form is not permitted without written permission of the owner.</small>	

0041209
0041208
0304472

0080150
0020300

0041210

0330025

0304400
0330020(L)

0330020(R)

0304454

0206730(Marlin 42 & 42XL)
0206760(Marlin 46)
0206740(Marlin 52-I)
0206750(Marlin 52-II)
0206710(Marlin 90-K)

0305505

0305010(CS)

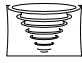
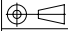
0305015

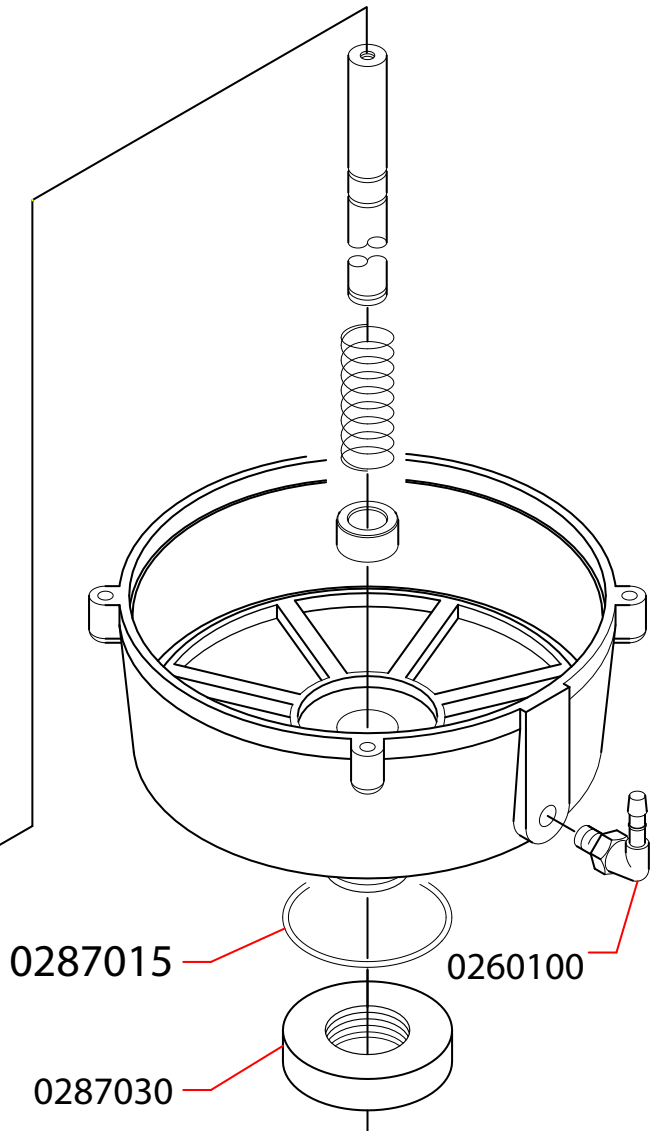
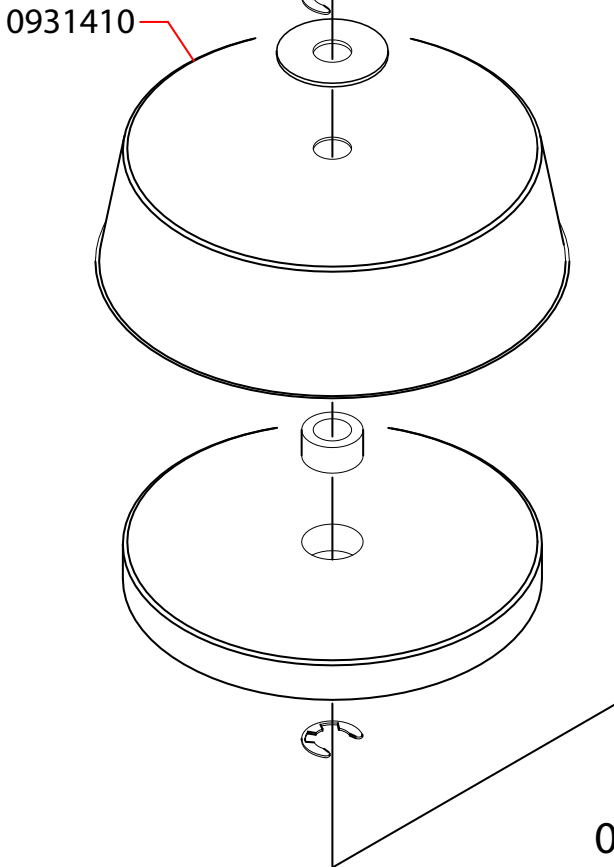
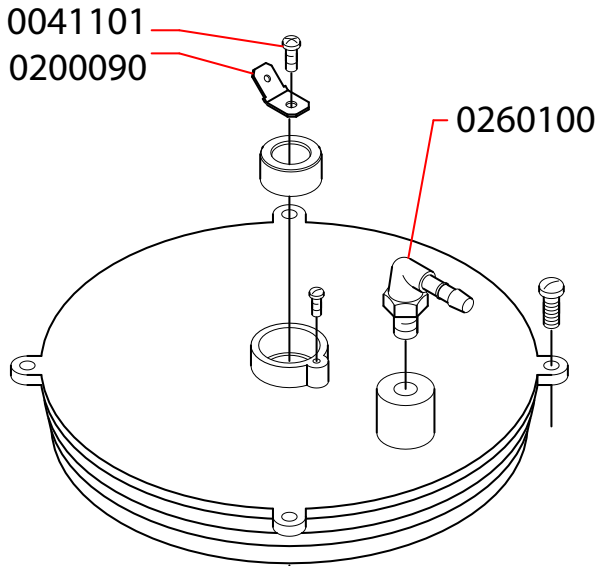
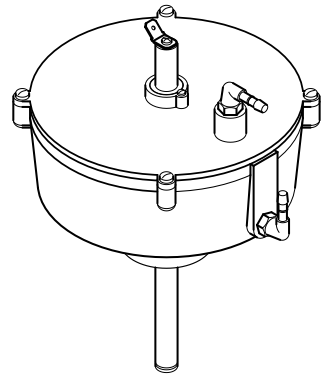
0381015(Marlin 42 & 42 XL)
0381055(Marlin46)
0381025(Marlin 52-I)
0381030(Marlin 52-II)
0381005(Marlin 90-K)

0304471(CS)

0304470(DS)


0305000(DS)

Scale:	Name: Exploded View	
Date: Dec 2004	Seal bar Marlin Series	
Drawn by: MD		
	HENKELMAN B.V.	
	P.O. box 2117	
	5202 CC s-Hertogenbosch	
	Tel. ++31(0)73 - 6213671	
Fax ++31(0)73 - 6221318		 A 4 Drawing: Page 1-1 REV. 01
The Netherlands		
<small>Ownership explicitly reserved. Multiplication or information to third parties in any form is not permitted without written permission of the owner.</small>		



0286015 M46 / M52

0286020 M90

Scale:	Name: Exploded View
Date: April 2004	Seal cilinder Marlin 52
Drawn by: MD	
 HENKELMAN B.V. P.O. box 2117 5202 CC 's-Hertogenbosch Tel. ++31(0)73-6213671 Fax ++31(0)73-6213118 The Netherlands	A 4 Drawing Page 1-1 Rev.01
	<small>Ownership and liability reserved. Multiplication or alteration in third parties is only permitted in case permitted without written permission of the owner.</small>

