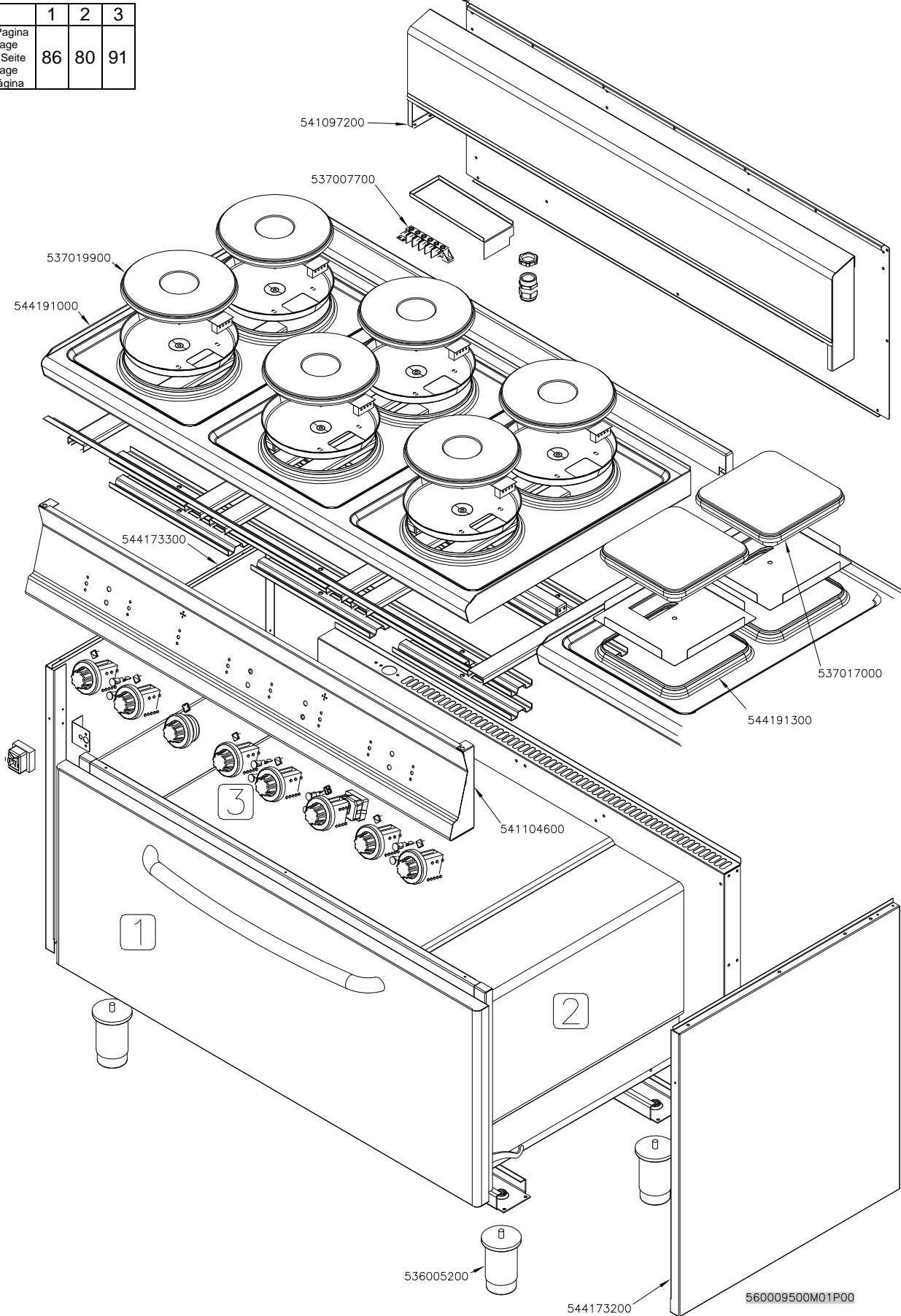


**SUPERLOTUS 70<sub>2</sub>0601**  
**CUCINE / RANGES / HERDE / CUISINIÈRES**  
 CF...6-712

**CF6-712ET CFQ6-712ET**

	1	2	3
Vedi Pagina See Page Siehe Seite Voir Page Ver Pàgina	86	80	91

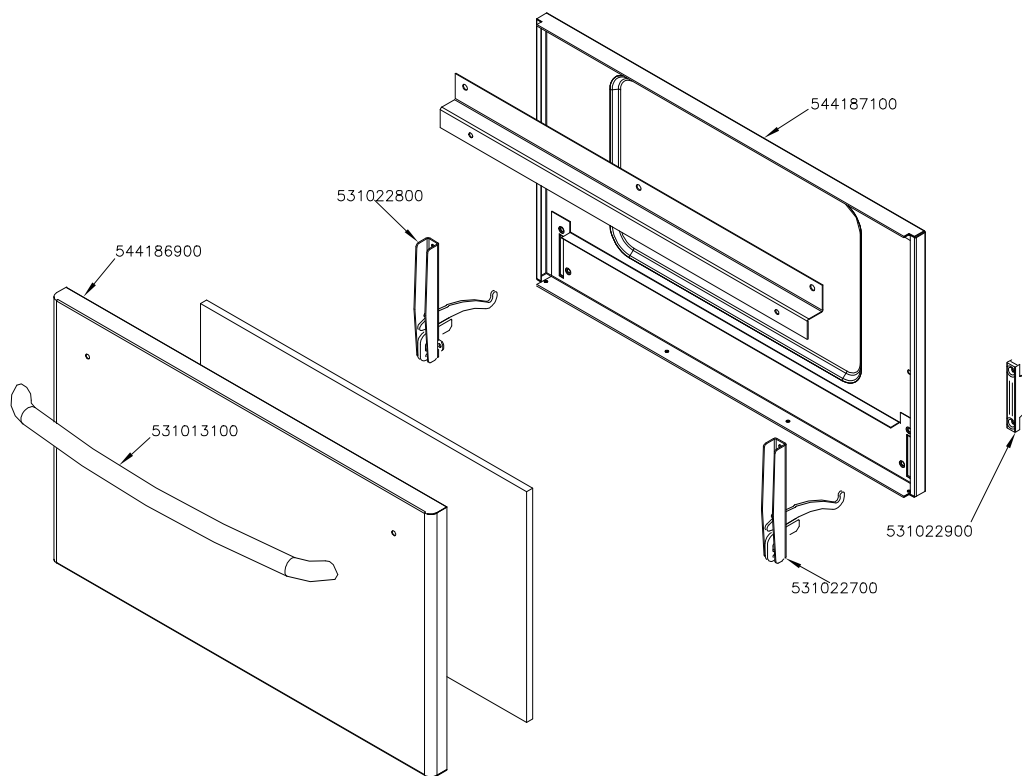


# SUPERLOTUS 70≤0601

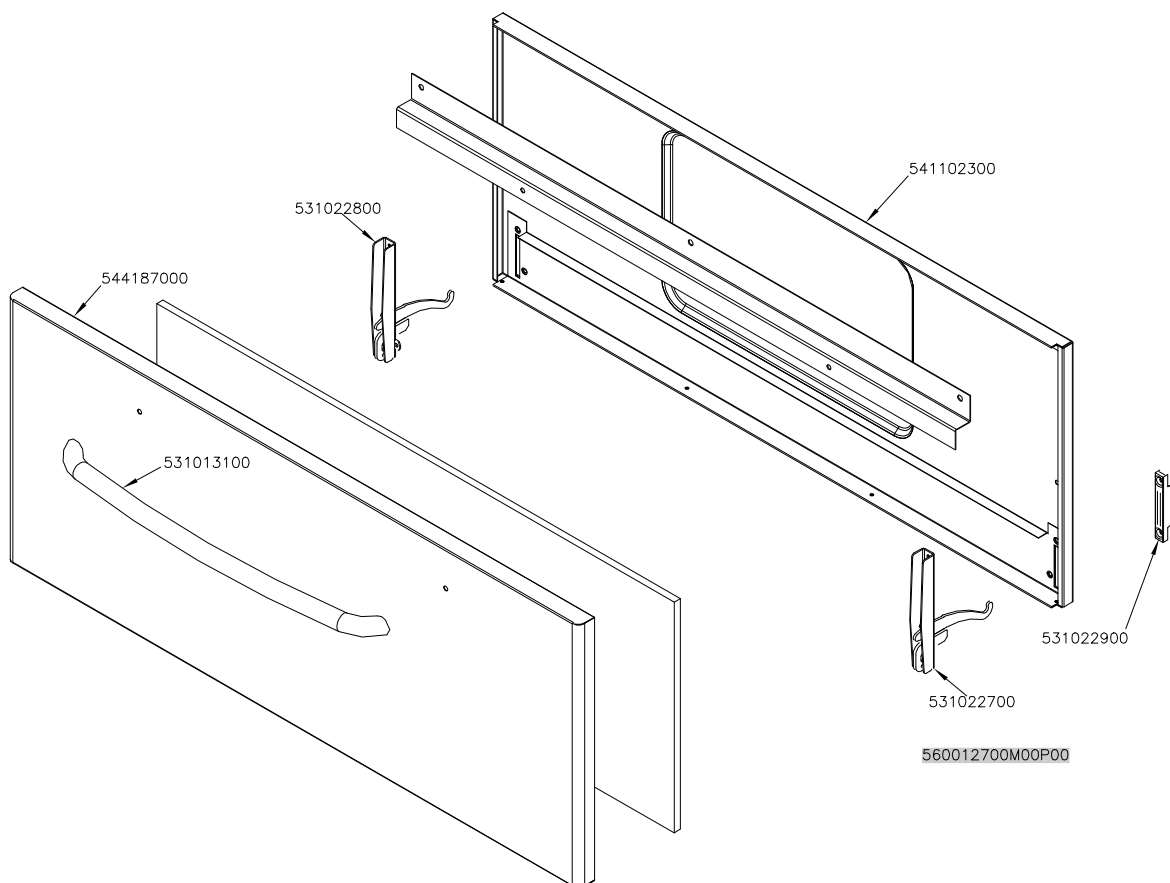
CUCINE / RANGES / HERDE / CUISINIÈRES  
FORNO / OVEN / BACKOFEN / FOUR

## PORTE / DOORS / TÜREN / PORTES

GN 2/1



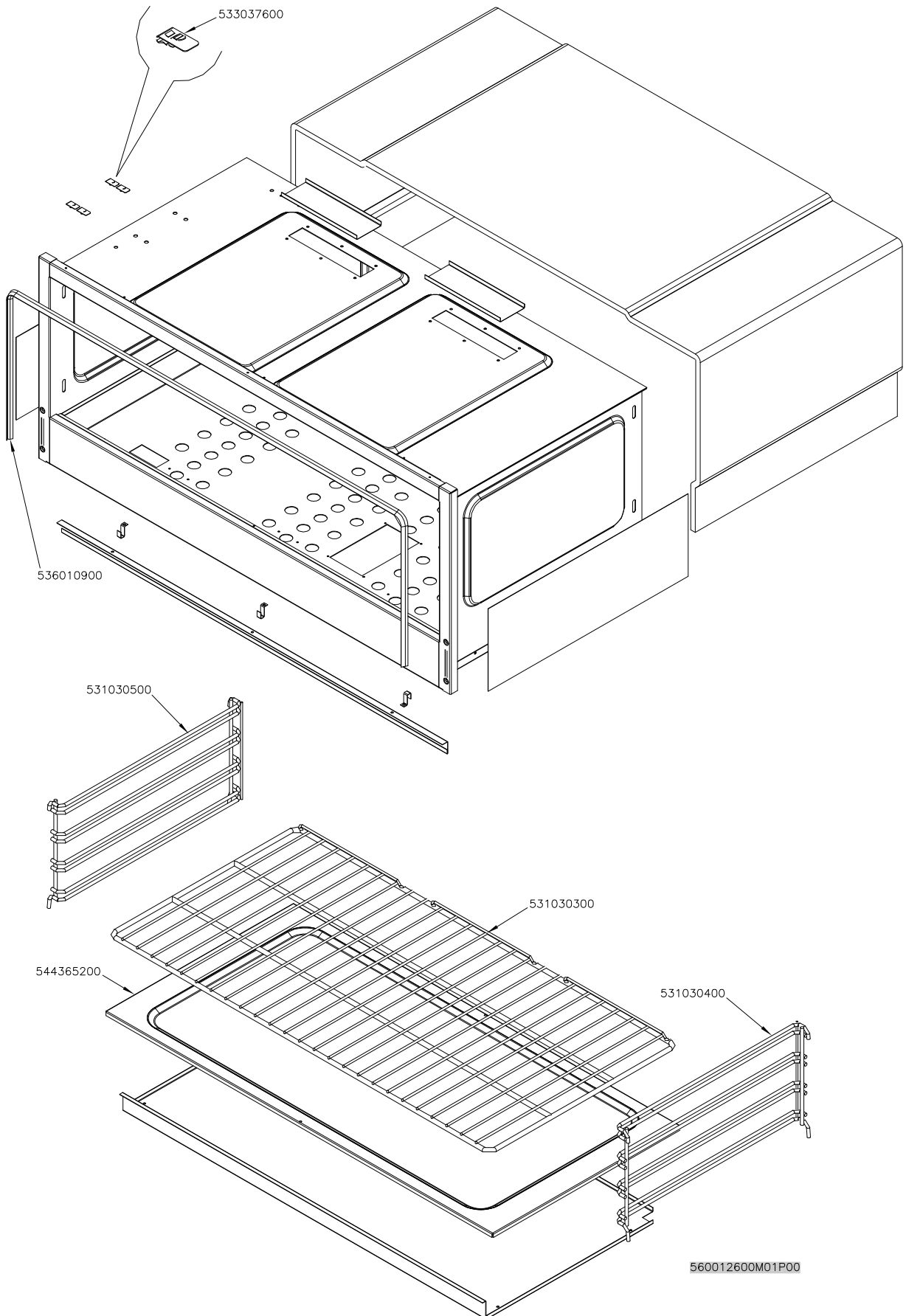
GN 3/1



# SUPERLOTUS 700601

CUCINE / RANGES / HERDE / CUISINIÈRES  
FORNO / OVEN / BACKOFEN / FOUR

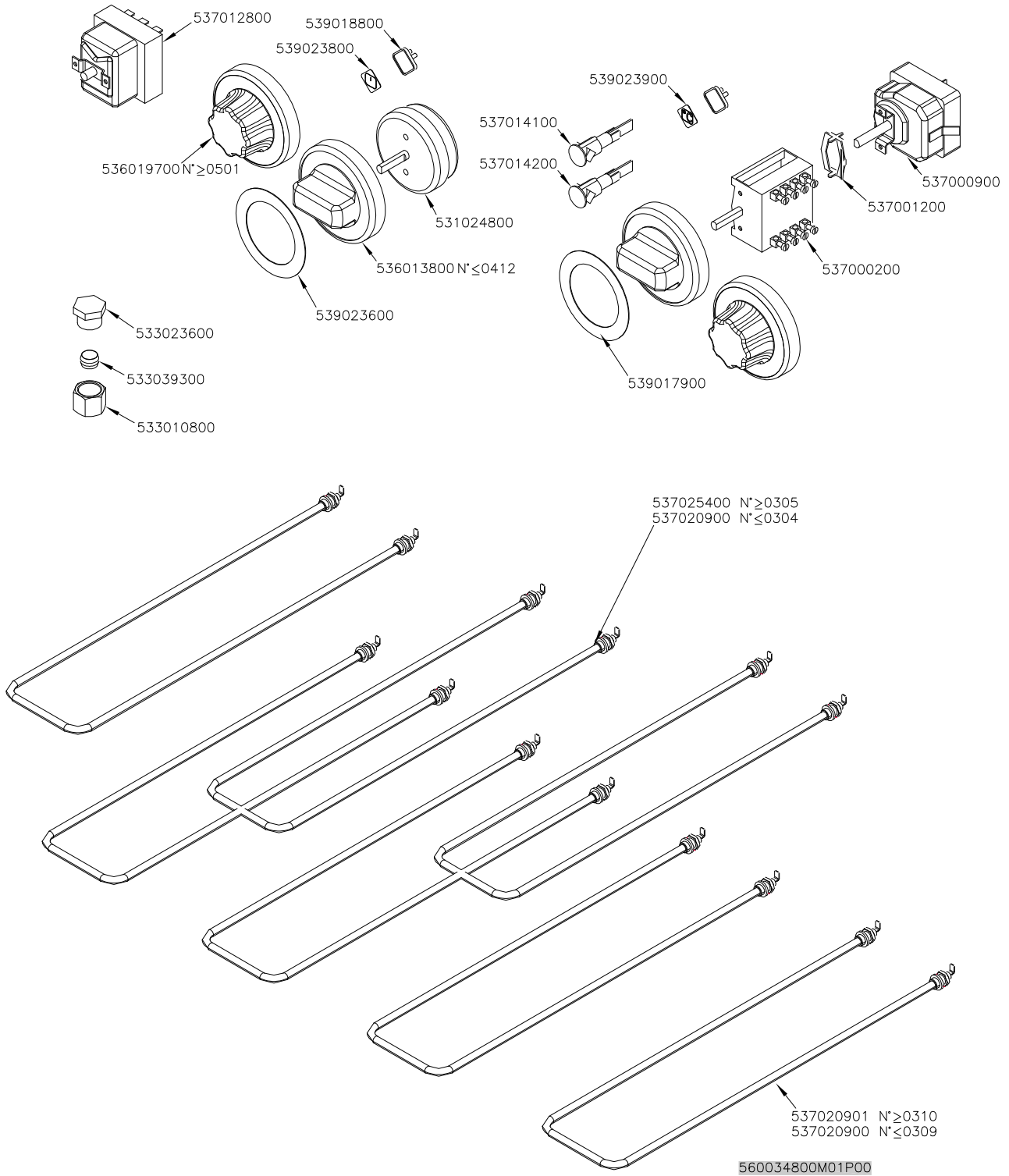
ELETTRICO / ELECTRICAL / ELEKTRO / ELECTRIQUE / GN 3/1



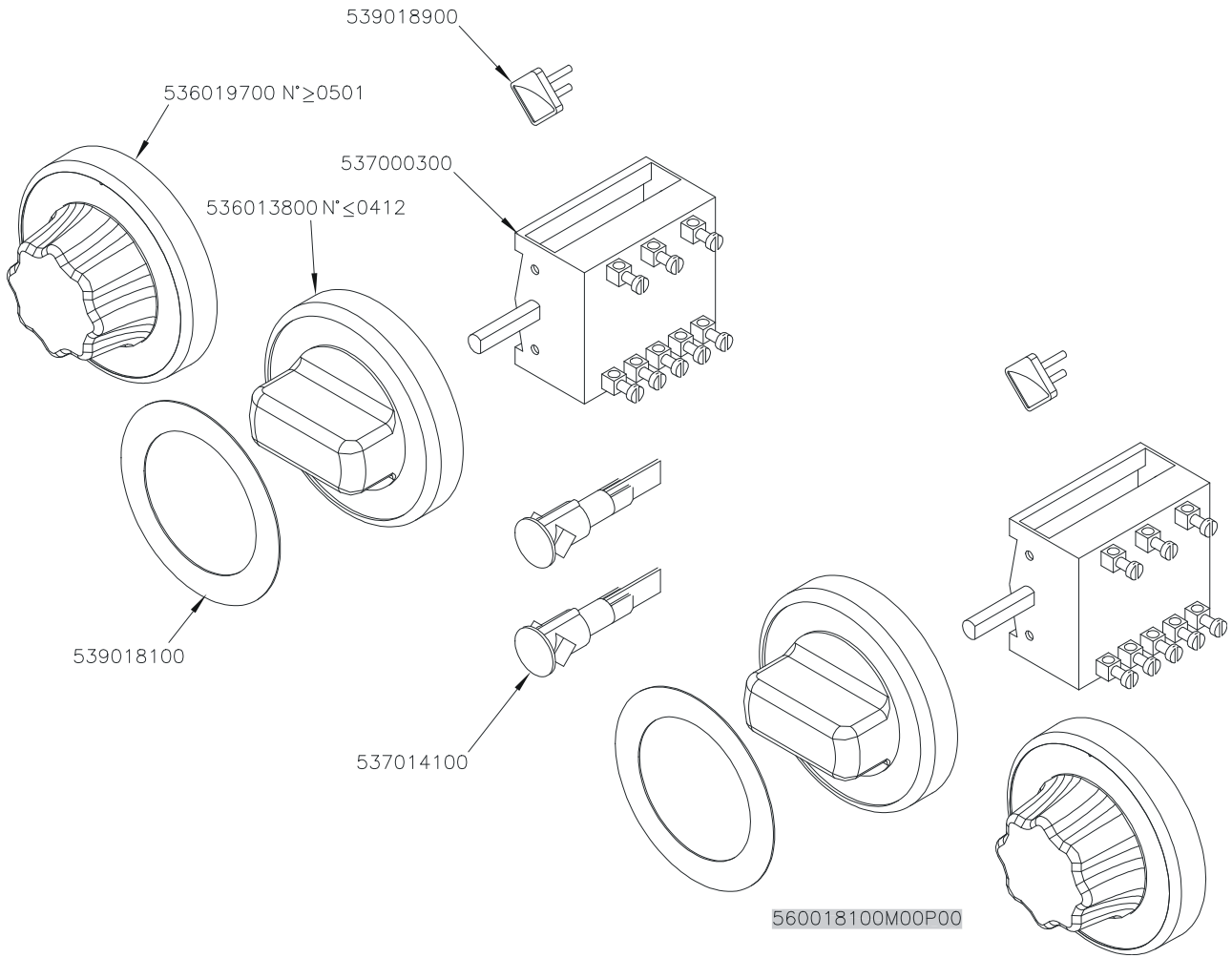
# SUPERLOTUS 70≤0601

CUCINE / RANGES / HERDE / CUISINIÈRES  
FORNO / OVEN / BACKOFEN / FOUR

ELETTRICO / ELECTRICAL / ELEKTRO / ELECTRIQUE / GN 3/1



**PC-E CF-E**



Page	Pos	Code	Description
001		541097200	NEUTRAL SPACER 712
001		537007700	TERMINAL BLOCK THREEPHASE 40A
001		537019900	PLATE D.220 W2600 V230
001		544191000	UPPER PLATE PC-712E ROUND PLATE
001		544173300	LEFT SIDE PANEL RANGE S.70
001		537017000	PLATE 220X220 W2600 V230
001		544191300	UPPER PLATE PC-712E SQUARE PLATE
001		541104600	CONTROL PANEL CF6-712EV
001		536005200	INOX LEG 2" 120-180 M10
001		544173200	RIGHT SIDE PANEL RANGE S.70
002		544187100	OVEN INNER DOOR GN 2/1 S.70
002		531022800	LEFT OVEN DOOR HINGE S.70
002		531022900	HINGE DOOR WHEEL HOLDER S.70
002		531022700	RIGHT OVEN DOOR HINGE 70LINE
002		544186900	OVEN DOOR GN 2/1 S.70
002		531013100	OVEN DOOR HANDLE OF 70/90-LINE
002		541102300	GAS OVEN INNER DOOR GN 3/1 S.70
002		544187000	OVEN DOOR GN 3/1 S.70
003		533037600	LOCK SPRING FOR BULB
003		536010900	GAS OVEN GASKET GN 3/1 (1620)
003		531030500	LHD SUPPORT GRID FOR OVEN OF 70LINE
003		544365200	70 ELECTRICAL OVEN BOTTOM GN3/1
003		531030300	OVEN GRID GN 3/1 FOR 70 LINE
003		531030400	RHD SUPPORT GRID FOR OVEN OF 70LINE
004		537012800	SAFETY THERMOSTAT 420°C THREEPHASE
004		539018800	INDEX FOR OVEN KNOB
004		539023800	SIGN PLATE FOR OVEN TIMER
004		536019700	BLACK KNOB §70 PIN §6*5
004		533023600	TAP PLUG §10 M16*1, 5CH19
004		533039300	BICONE §10
004		533010800	TUBE NUT D.10 M16*1,5
004		537014100	WHITE WARNING LIGHT 250V
004		537014200	GREEN WARNING LIGHT 250V
004		531024800	TIMER 120'- 360°
004		536013800	KNOB D.70 BLACK 6*5 WITH SPRING
004		539023600	ADHESIVE GRADUATED DISC FOR KNOB
004		539023900	SIGN PLATE FOR OVEN TEMPERATURE
004		537000900	THERMOSTAT 50-320°C THREEPHASE
004		537001200	FIXING BRACKET FOR THERMOSTAT/COMM.
004		537000200	COMMUTATOR 1 POS. 3PHASE S.49 16A
004		539017900	ADHESIVE GRADUATED DISC FOR KNOB
004		537025400	OVEN UPPER HEAT.EL.W700 V230 70LINE
004		537020900	HEATING ELEMENT 1000W 230V OVEN S70
004		537020901	HEATING ELEMENT 1200W 230V OVEN S70
005		539018900	INDEX FOR KNOB
005		536019700	BLACK KNOB §70 PIN §6*5
005		537000300	COMMUTATOR 7 POSITIONS S.49 16A
005		536013800	KNOB D.70 BLACK 6*5 WITH SPRING
005		539018100	ADHESIVE GRADUATED DISC FOR KNOB
005		537014100	WHITE WARNING LIGHT 250V