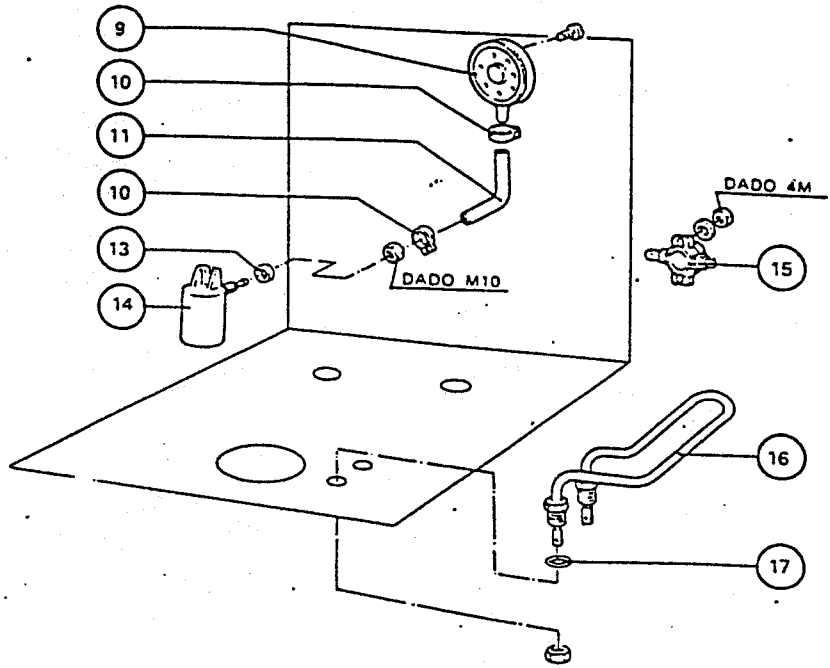
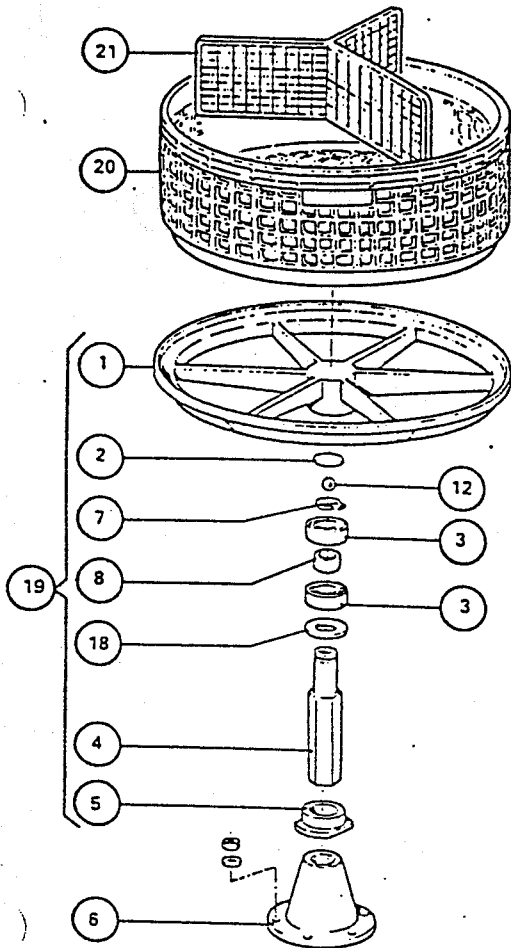
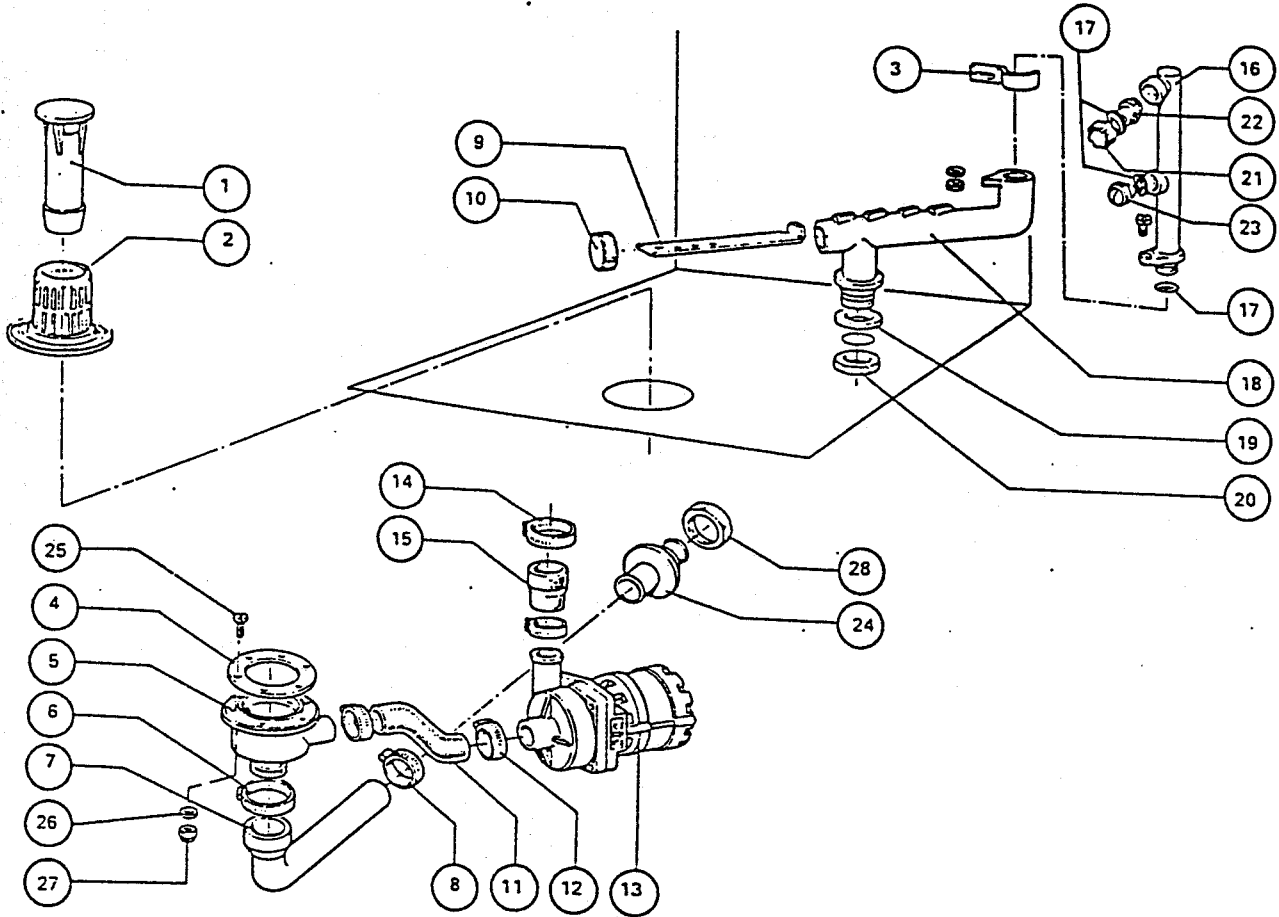


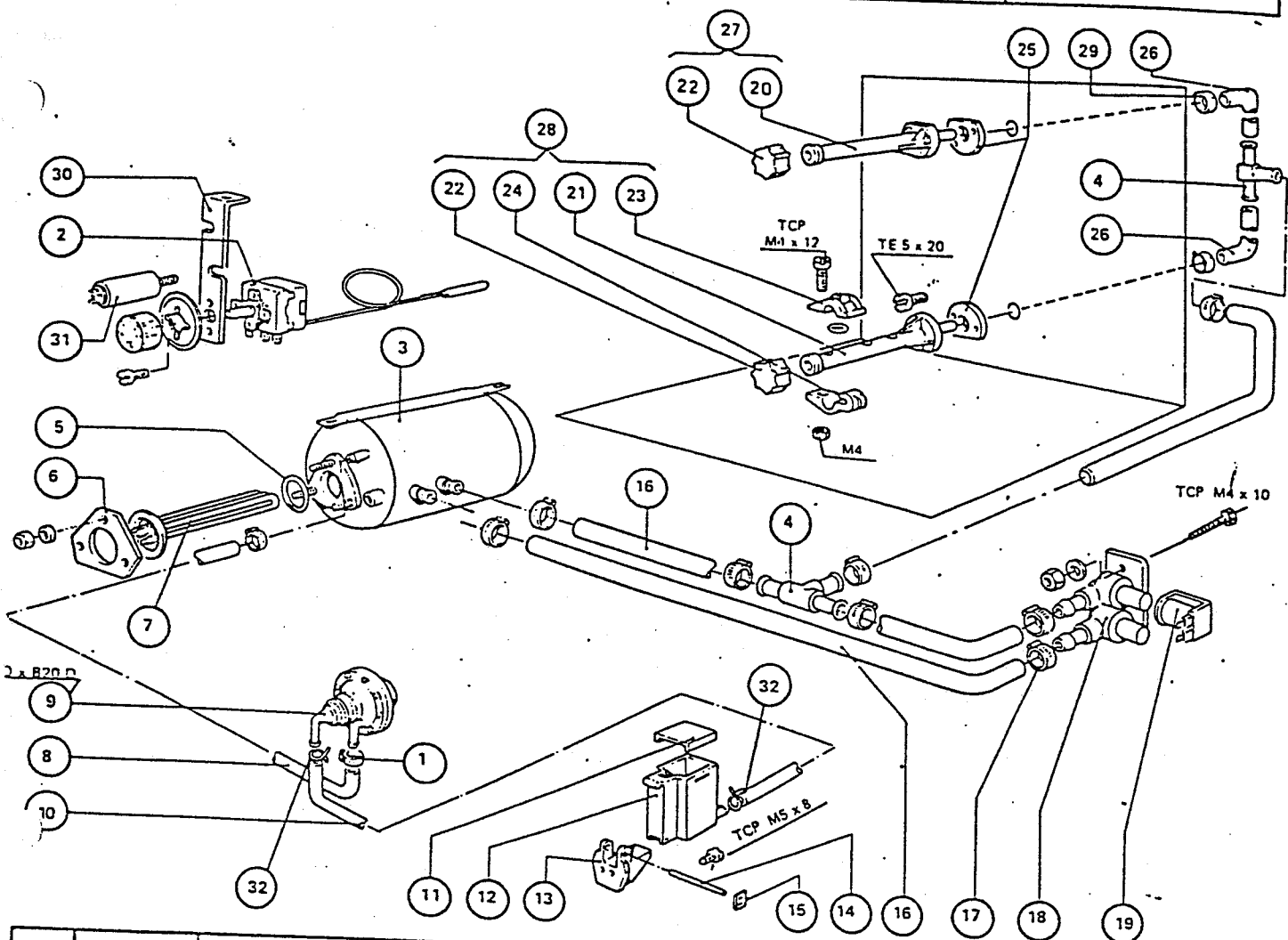
POS.	CODICE	DESCRIZIONE	DENOMINATION	DESCRIPTION	BEZEICHNUNG
1	340835	CARROZZERIA B26-B27	CARROSSERIE	BASE	KAROSSERIE
2	210402	PARACOLPI	PROTECTION	PAD	TURDAMPFER
3	321802	CERNIERA	PATTE	DOOR SUPPORT	HALTEPLATTE
	200461	GUARNIZIONE	JOINT	GASKET	DICHTUNG
	320923	PORTINA	PORTE	DOOR	TUR
6	381403	SCROCCHETTO	FERMETURE PORTE	DOOR CATCH	SCHNAPPVERSCHLUSS
7	170801	MANIGLIA	POIGNEE	DOOR HANDLE	TURGRIFF
8	300156	VITE TCB M5x20	VIS TCB M5x20	SCREW 5MAx20	SCHRAUBE 5MAx20
9	290701	DADO CIECO	ECROU	LOCK NUT	MUTTER
10	161105	COPERTURA	PANNEAU	BACK-COVER	ABDECKUNG
11	110180	PANNELLO ELETT. B26	TABEAU COMMANDE	ELECTRIC PANEL	E-TAFEL
11	110181	PANNELLO ELETT. B27	TABEAU COMMANDE	ELECTRIC PANEL	E-TAFEL
12	210202	PIEDINO	PIED	FOOT	FUSS
13	341218	PERNO PER CERNIERA	AXE	PIN	STIFT
14	460144	PANNELLO	PANNEAU	FRONT PANEL	FRONTTAFEL
15	460168	TARGA	PLAQUE	FRONT PANEL	FRONTTAFEL
16	260503	RONDELLA	RONDELLE	WASHER	GLEITRING



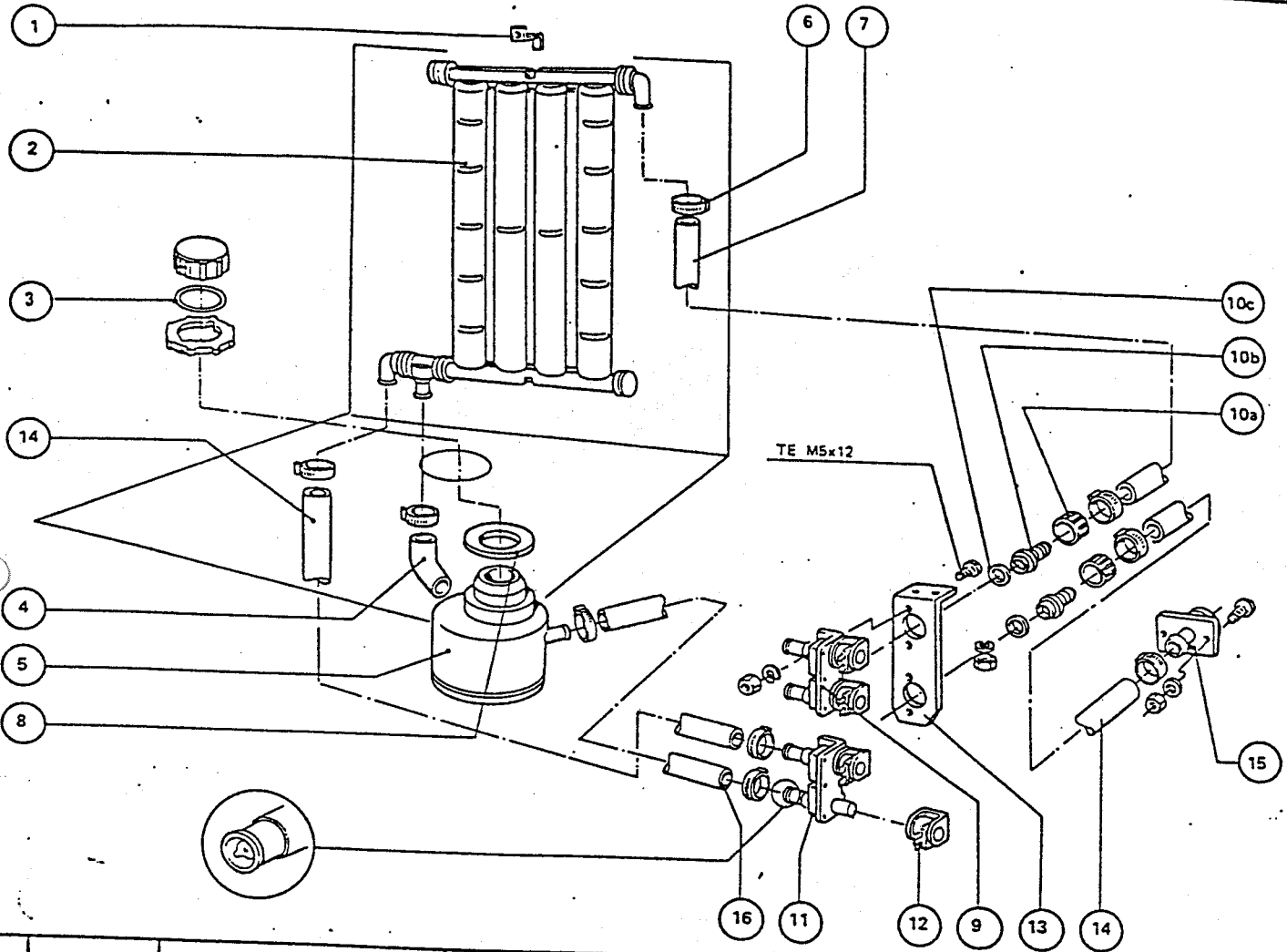
POS.	CODICE	DESCRIZIONE	DENOMINATION	DESCRIPTION	BEZEICHNUNG
1	170307	CERCHIO PORTACEST.	PORTE PANIER	RACK SUPPORT	KORBTRAGER
2	260529	RONDELLA	RONDELLE	WASHER	GLEITRING
3	410115	CUSCINETTO	ROULEMENT	BALL BEARING	KUGELLAGER
4	340472	ALBERINO	AXE	SPINDLE	KUGELLAGER
5	180110	GHIERA	EMBOUT	LOCK NUT	WELLE
6	190105	COLONNINA	COLONNE	SUPPORT	KLEMMRING
7	440809	ANELLO D'ARRESTO	SEEGER	SNAP RING	TRAGERHALTERUNG
8	330817	DISTANZIALE	ENTRETOISE	SPACER	SEEGER
9	130605	PRESSOSTATO	PRESSOSTAT	PRESSURE SWITCH	DISTANZRING
10	450125	FASCETTA ELASTICA	COLLIER	CLAMP	DRUCKWACHTER
11	200353	TUBO PRESSOSTATO	TUYAU PRESSOSTAT	PRESS. SWITCH HOSE	SCHLAUCHSCHELLE
12	410118	SFERA	BILLE	BALL	DRUCHWACHERSCHLAUCH
13	200415	GUARNIZIONE	JOINT	GASKET	KUGEL
14	161303	TRAPPOLA ARIA	CAPUCHON AIR	AIR TRAP	DICHTUNG
15	120509	TERMOSTATO VASCA	THERMOSTAT CUVE	THERMOSTAT	LUFTFALLE
16	110235	RESISTENZA 1500W	RESISTANCE	HEATING ELEMENT	THERMOSTAT
17	200810	GUARNIZIONE OR	O-RING	O-RING	HEIZKORPER
18	160825	RONDELLA	RONDELLE	WASHER	O-RING
19	620203	GRUPPO CERCHIO	PORTE PANIER COMPL.	RACK SUPP. ASSEMBLY	GLEITRING
20	660703	CESTELLO	PANIER	RACK	KORBTRAGEREINHEIT
21	520612	INSERTO	INTERCALAIRE	INSERT	KORB
					EINSATZ



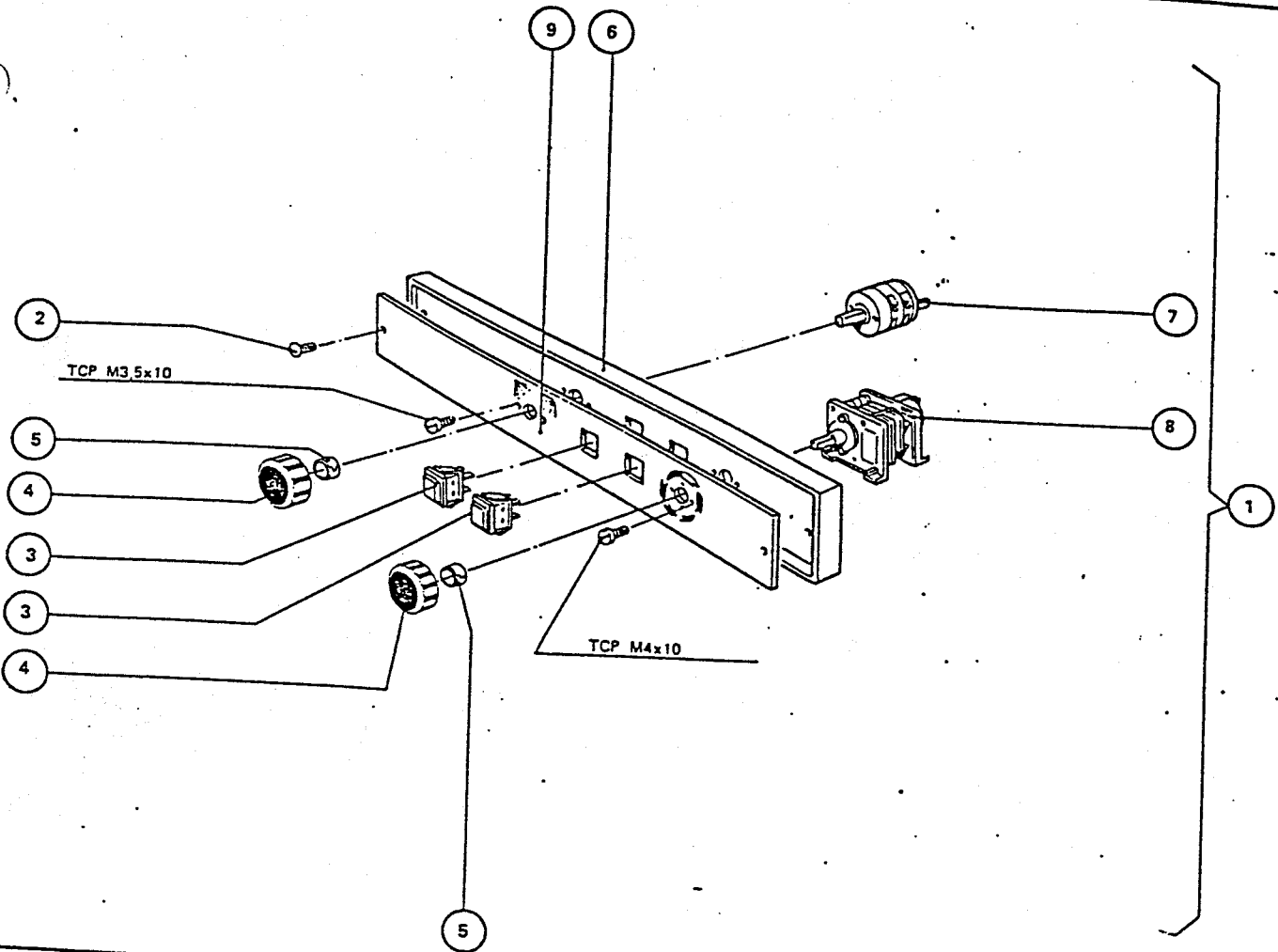
POS.	CODICE	DESCRIZIONE	DENOMINATION	DESCRIPTION	BEZEICHNUNG
1.	180704	TROPPOPIENO	TROP PLEIN	OVERFLOW PIPE	UBERLAUFSTUTZEN
2	180809	FILTRO	FILTRE	STRAINER	FILTER
3	330611	FERMO BRACCIO SUP.	ARRET	TIE ROD	SCHELLE
4	200436	GUARNIZIONE	JOINT	GASKET	DICHTUNG
5	180210	TRONCHETTO	TRONC	PUMP SUCTION	ANSAUGSTUTZEN
6	450107	FASCETTA 38 + 50	COLLIER	CLAMP	SCHLAUCHSCHELLE
7	200345	TUBO SCARICO	DURITE	DRAIN HOSE	ABLAUSCHLAUCH
8	450114	FASCETTA 22 + 32	COLLIER	CLAMP	SCHLAUCHSCHELLE
9	320624	PIASTRINA	PATTE	SUPPORT	PLATTE
10	160710	TAPPO PER TUBO	BOUCHON	PLUG	PROFFEN
11	200719	TUBO ASPIRAZIONE	TUYAU	SUCTION HOSE	ANSAUGSCHLAUCH
12	450105	FASCETTA 26 + 38	COLLIER	CLAMP	SCHLAUCHSCHELLE
13	100628	POMPA 0,12 HP	POMPE	PUMP	PUMPE
13	100377	POMPA 0,10 HP	POMPE	PUMP	PUMPE
14	450105	FASCETTA	COLLIER	CLAMP	SCHLAUCHSCHELLE
15	200369	MANICOTTO	MANCHON	DISCHARGE HOSE	VERBINDUNGSSCHLAUCH
16	170604	TUBO LAV. LATERALE	TUYAU	WASH PIPE	SEITL. WASCHARM
17	200819	GUARNIZIONE OR	O-RING	O-RING	O-RING
18	170603	TUBO LAV. INF.	TUYAU	LOWER WASH PIPE	UNTERER WASCHARM
19	200412	GUARNIZIONE	JOINT	GASKET	DICHTUNG
20	270106	GHIERA	EMBOUT	LOCK NUT	KLEMMRING
21	170908	UGELLO	GICLEUR	NOZZLE	SPULDUSE
22	190618	DIFFUSORE	DIFFUSEUR	DEFLECTOR	VERTEILER
23	170924	UGELLO A TAGLIO	GICLEUR	NOZZLE	SPULDUSE
24	190304	RACCORDO DI SCARICO	RACCORDEMENT	DRAIN CONNECTION	ABLAUFANSCHLUSS
25	260224	VITI TB 6 x 15	VIS	SCREW	SCHRAUBE
26	160804	GUARNIZIONE DUBO	JOINT	GASKET	DICHTUNG
27	290701	DADO CIECO	ECROU	LOCK NUT	MUTTER
28	180101	CONTRODADO Ø 3/4"	EMBOUT 3/4"	RETAINING NUT 3/4"	GEGENMUTTER 3/4"



POS.	CODICE	DESCRIZIONE	DENOMINATION	DESCRIPTION	BEZEICHNUNG
1	450123	FASCETTA	COLLIER	CLAMP	SCHLAUCHSCHELLE
2	120501	TERMOSTATO BOILER	THERMOSTAT	THERMOSTAT	SCHLÄUCHSCHELLE
3	330316	BOILER ROTONDO	SURCHAUFFEUR	ROUND BOOSTER	THERMOSTAT VIERECK.
4	180403	COLLETTORE RISCIAQUO	BRANCHEMENT	RINSE COLLECTOR	RUNDDURCHLAUFERHITZER
5	200820.	GUARNIZIONE OR	O-RING	O-RING	SPULUNGSVERTEILER
6-7	110364	RESISTENZA 2400W CON FERMA RESISTENZA	RESISTANCE 2400W	HEATING ELEMENT	O-RING
8	200347	TUBO MANDATA DOS.	PATTER FISSAGE RESIS	HEATER PLATE	HEIZKORPER
9	620120	DOSATORE	TUYAU	INJECT OUTLET TUBE	HEIZKORPERHALTERUNG
10	160105	TUBO ASPIRAZ. DOS.	DOSEUR	RINSE INJECTOR	DOSIERUNGS-AUSLAUF-SCH.
11	160715	COPERCHIO CONTEN.	COUVERCLE	INJECT. INLET TUBE	GLANZMITTELOOSIERER
12	190802	CONTENITORE BRILL.	CONTAINER PROD. RINC.	CONTAINER COVER	ANSAUGSCHLAUCH
13	190106	SUPPORTO CONTENIT.	SUPPORT	SUPPORT	BEHALTERDECKEL
14	340484	PERNO CONTENITORE	AXE	AXE	GLANZMITTELBEHALTER
15	450812	MOLLA FISS. PERNO	RESSORT	PIN	HALTERUNG
16	200342	TUBO RISC. FREDDO	TUYAU RINC. FROID	LOCK PLATE	STIFT
17	450104	FASCETTA O 16 +.28	COLLIER	COLD RINSE HOSE	FEDER
18	120146	ELETTROVALVOLA	ELECTROVANNE	SOLENOID VALVE	KALTPULROHR
19	630969	BOBINA ELETTROV.	BOBINE ELECTROVANNE	COIL	SCHLAUCHSCHELLE
20	170619	BRACCIO RISCIAQ. SUP.	BRAS RINCAGE SUP.	UPPER RINSE ARM	E-VENTIL
21	170620	BRACCIO RISCIAQ. INF.	BRAS RINCAGE INF.	LOWER RINSE ARM	SPULE
22	160730	TAPPO DI RISCIAQUO	BOUCHON	PLUG	OBERER NACHSPULARM
23	170911	UGELLO RISCIAQUO	GICLEUR-RINCAGE	RINSE GET	UNTERER NACHSPULARM
24	170704	CAVALLOTTO FISS. UG.	PLAQUETTE	RINSE NOZZLE BOTTOM	PROPFEN
25	200458	GUARNIZ. BRAC. RIS.	JOINT	GASKET	SPULDUSE
26	200601	TUBO PER RISCIAQUO	TUYAU RINCAGE	RINSE HOSE	HALTERUNG NACHSPULDUSE
27	170621	ASSIEME BRACCIO SUP.	BRAS RINC. COMPLET. SUP.	COMPLETE UPPER RINSE ARM	DICHTUNG
28	170622	ASSIEME BRACCIO INF.	BRAS RINC. COMPLET. INF.	COMPLETE LOWER RINSE ARM	NACHSPULROHR
29	450103	FASCETTA O 13 - 20	COLLIER	CLAMP	KOMPLET.OBERER NACHSPUL.
30	350784	SQUADRETTA	EQUERRE	BRACKET.	KOMPLET.UNTERER NACHSPUL.
31	631209	FILTRO ANTI DISTURBO	FILTRE	ANTI-NOISE FILTER.	SCHLAUCHSCHELLE
32	460116	FASCETTA A DUE FILI	COLLIER	CLAMP	WINKEL
					ENTSTORFILTER
					SCHLAUCHSCHELLE



POS.	CODICE	DESCRIZIONE	DENOMINATION	DESCRIPTION	BEZEICHNUNG
1		SQUADRETTA	EQUERRE	BRACKET	WINKEL
2	640209	ADDOLCITORE	ADOUCCISEUR	WATER SOFTENER	ENTKALKER
3		GUARNIZIONE OR	JOINT	GASKET	DICHTUNG
4	200341	PIPETTA ADDOLCIT.	COUDE ADOUCISSEUR	HOSE	KNIESTUCK
6	631302	CONTENITORE SALE	CONTAINER SEL	SALT CONTAINER	SALZBEHALTER
7	450104	FASCETTA Ø 16 + 28	COLLIER Ø 16 + 28	CLAMP 16 + 28	SCHLAUCHSCHELLE
8	200344	TUBO ADDOLCITORE	DURITE ADOUCISSEUR	WATER SOFTENER HOSE	ENTHARTERROHR
8	200454	GUARNIZIONE	JOINT	GASKET	DICHTUNG
9	120142	ELETTROV. RISCIACQ.	ELECTROVANNE	SOLENOID VALVE	E-VENTIL
10a	300501	GHIERA 3/4"	EMBOUT	CONNECTOR	UBERWURFMUTTER
10b	301001	PORTAGOMMA	NIPPLES	RUBBER HOSE BARB	SCHLAUCHNIPPEL
10c	200416	GUARNIZIONE	JOINT	GASKET	DICHTUNG
11	120144	ELETTROV. ADDOLC.	ELECTROVANNE	SOLENOID VALVE	E-VENTIL
12	630901	BOBINA ELETTROV.	BOBINE ELECTROV.	SOLENOID	SPULE
13	330756	SQUADRETTA	EQUERRE	BRACKET	WINKEL
14	200113	TUBO Ø 12 x 22	DURITE Ø 12 x 22	RUBBER HOSE 12 x 22	GUMMISCHLAUCH Ø 12 x 22
15	180226	FLANGIA ALLACIAM.	FLASQUE	PLATE	FLANSCH
16	200340	TUBO CONTEN. SALE	DURITE CONTAINER SEL	SALT CONT. HOSE	SALZBEHALTERROHR



S.	CODICE	DESCRIZIONE	DENOMINATION	DESCRIPTION	BEZEICHNUNG
	110180	PANNELLO ELETTR.	TABLEAU COMMANDE	ELECTRIC PANEL	E-TAFEL
	300156	VITE TCB M5x20	VIS TCB M5x20	SCREW TCB M5x20	SCHRAUBE TCB M5x20
	130111	LAMPADA ROSSA	LAMPE ROUGE	RED LIGHT	ROTE MELDELEUCHTE
	130112	LAMPADA VERDE	LAMPE VERTE	GREEN LIGHT	GRUNE MELDELEUCHTE
	180111	MANOPOLA	POIGNEE	KNOB	DREHKNOPF
	440817	ANELLO ELASTICO	ANNEAU RESORT	SNAP RING	FEDERSPERRING
	460153	TARGA	PLAQUE	FRONT PANEL	FRONTTAFEL
	120708	INTERRUT. GENERALE	INTERRUPTEUR	SWITCH	EINSCHALTER
	120213	TIMER 120"	PROGRAMMATEUR	TIMER	ZEITSCHALTER
	460169	TARGA COMANDI B26	PLAQUE	FRONT PANEL B26	FRONTTAFEL