

G150IT98

G150IT98

CATALOGO PARTI DI RICAMBIO
CATALOGUE PIECES DETACHEES
ERSATZTEILKATALOG
SPARE PARTS CATALOGUE





**Catalogo parti di ricambio valido
dalla matricola 0000001 (31.10.2006) ad oggi (06.01.2017)**

**Catalogue pieces detachees
valable à partir du numero de Série n. 0000001 (31.10.2006) jusqu'à aujourd'hui
(06.01.2017)**

**Ersatzteilkatalog
gültig ab Serien-Nr. 0000001 (31.10.2006) bis heute (06.01.2017)**

**Spare parts catalogue
valid from serial no. 0000001 (31.10.2006) up today (06.01.2017)**

**Catálogo de peças de reposição
válido do número de série 0000001 (31.10.2006) até hoje (06.01.2017)**

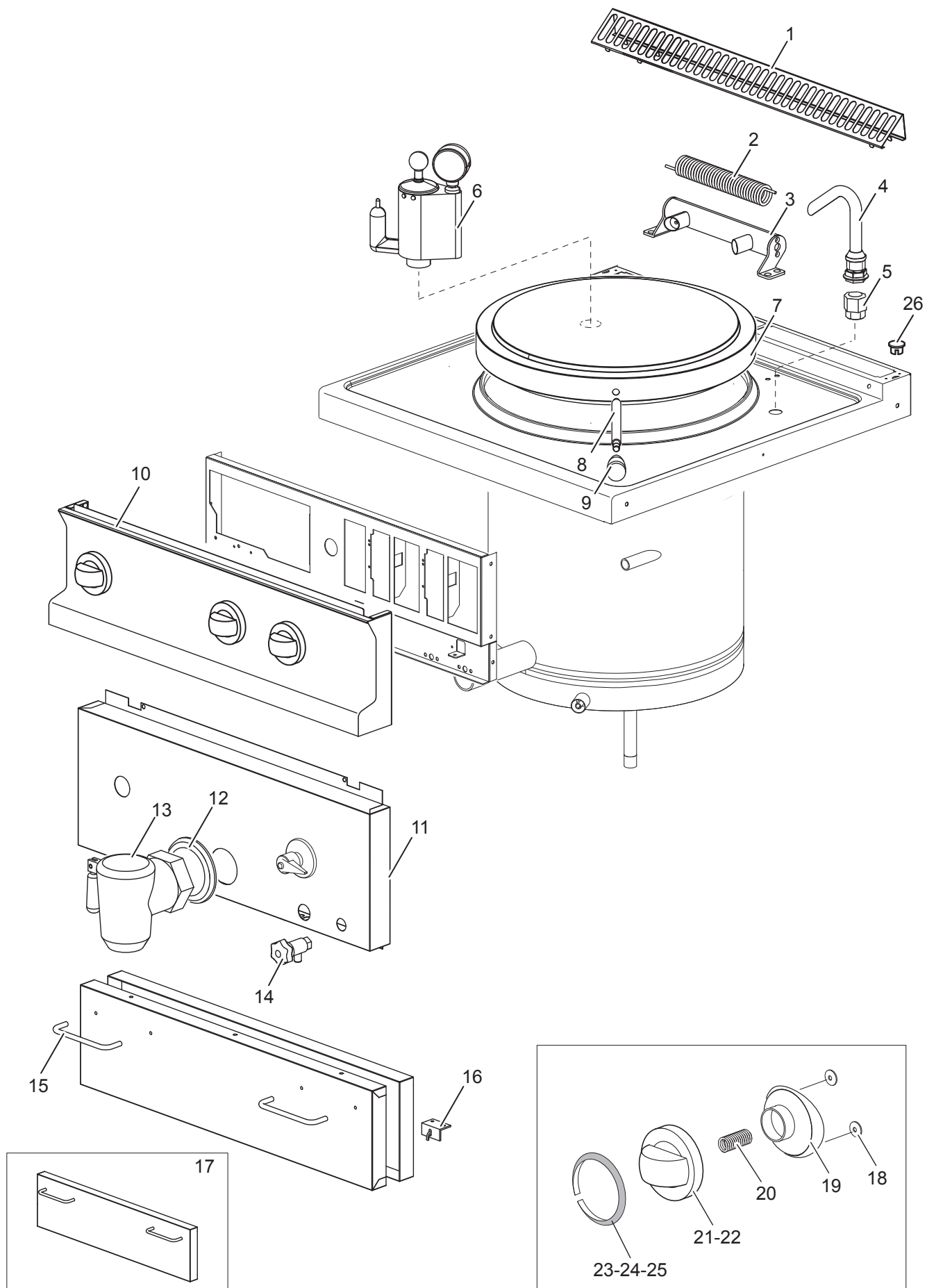
Le informazioni sono considerate non vincolanti. Le immagini rappresentate sono puramente indicative. Il produttore si riserva il diritto di apportare modifiche in qualsiasi momento senza preavviso.

Les informations données ne sont pas contraignantes. Les images montrées sont à titre indicatif. Le producteur se réserve le droit d'apporter des modifications sans préavis.

Die im vorliegenden Dokument aufgeführten Informationen und Bilder sind unverbindlich. Der Hersteller behält sich das Recht vor, jederzeit ohne vorherige Ankündigung Änderungen vorzunehmen

Info and drawing could be slightly different from reality and they cannot be considered as compelling. Manufacturer can modify info anytime without forewarning.

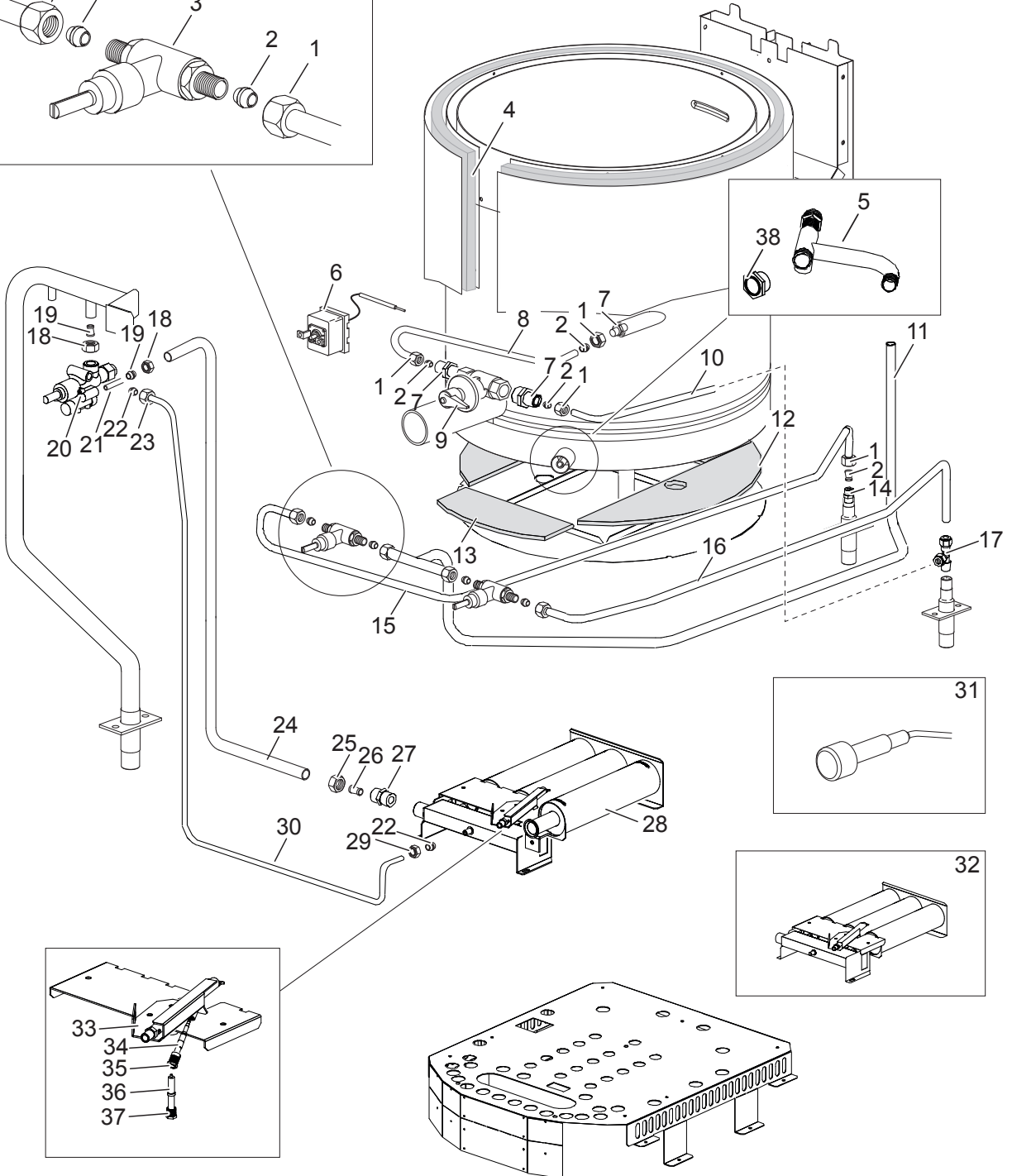
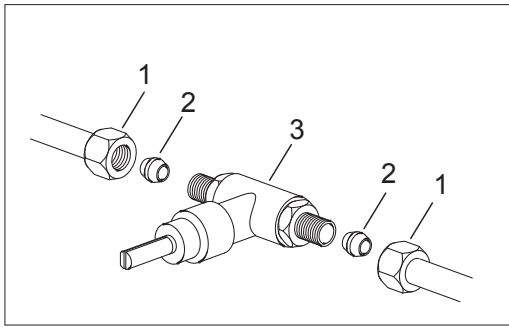
As Informações e desenhos podem estar um pouco diferente da realidade e são puramente indicativas. O fabricante pode modificar estas informações a qualquer momento sem aviso prévio.



Nr.	Code	Title	Recommended
1.	182799	GRILLE POUR CHEMINÉE	N
2.	RTCP800026	RESSORT, CHARNIERE COUV.GBR7/G150	S
3.	182796	COMPLETE HINGE	N
4.	RTCP800024	01102113	N
5.	RTBF800126	NIPPLE COMP.CIL/F/D10 01141021	N
6.	176874	SOUPAPE DE SURETE G100I	N
7.	182795	COVER	N
8.	170321	HANDLE	N
9.	172109	COVER KNOB	N
10.	183434	CONTROL PANEL	N
11.	184469	FRONT PANEL	N
12.	RTCP900018	BOSSE 2"D540000 CP	N
13.	172234	DISCHARGE TAP 2"	N
14.	RTCP800065	ROB.NIVEAU G100I 02502692	N
15.	160270	POIGNEE GFT49 MB894 NICK.SAT	N
16.	RTBF900013	CHARNIERE P.A.G507/BM4 43003300	S
17.	RIC0004884	DOOR COMPLETE	N
18.	176318	ELASTIC METAL CLIP -WASHER DIAM 4 MM	S
19.	171439	GAS VALVE KNOB HOUSING G4S11	S
21.	171433	GAS VALVE KNOB BODY G4S11	S
22.	171435	WATER KNOB	S
23.	174334	HOT WATER RING	S
24.	174333	COLD WATER RING	S
25.	174332	GAS VALVE KNOB LABEL G2S11	S
26.	163603	BOUCHON FIX.PLAQUE DOMINA	N



Nr.	Code	Title	Recommended
1.	184463	<i>BACK SIDE</i>	N
2.	184454	<i>LATERAL SIDE</i>	N
3.	RTCU700324	<i>FOOT S.G4S7 TOP/32</i>	N



Nr.	Code	Title	Recommended
1.	RTCU900013	<i>ECROU D.10</i>	N
2.	RTCU900012	<i>BICONE D.10</i>	N
3.	168006	<i>WATER TAP DN10 3/8" 430417 P.PIE</i>	S
4.	165783	<i>INSULATING PANEL</i>	N
5.	170306	<i>TUYAU</i>	N
6.	RTCP800067	<i>THERMOST.LIM.G100IT9/T140 5519522030</i>	S
7.	RTCU900132	<i>NIPPLE 1/2"- 3/8"</i>	N
8.	183047	<i>JACKET WATER SUPPLY PIPE</i>	N
9.	RTCU600075	<i>ROB.CHARGE. EAU GC66 1320</i>	N
10.	184466	<i>JACKET VALVE PIPE</i>	N
11.	182891	<i>CONDUIT ALIMENTATION ROBINET DE L'EAU</i>	N
12.	166254	<i>PANNEAU ISOLANT</i>	N
15.	184465	<i>ALIMENTATION PIPE FOR WATER TAP</i>	N
16.	184464	<i>ALIMENTATION PIPE FOR WATER TAP</i>	N
18.	RTCU900015	<i>ECROU D.12 FIX.ROB.V.22S</i>	N
19.	RTCU900014	<i>BICONE D.12 FIX.ROB.SOUP.22S</i>	N
20.	168000	<i>GAS TAP GC45/GC77 S22/7919118</i>	S
21.	RTCP800131	<i>RALLONGE T/C.MF9X1CM60 0218101</i>	N
22.	RTCU900018	<i>BICONE D.6 PEL0905</i>	N
23.	RTCU900019	<i>ECROU D.6 PEL0903/1</i>	N
24.	182920	<i>TUBE DE DISTRIBUTION BRÛLEUR</i>	N
25.	RTCU800181	<i>ECROU D.12 SUPP.INJECT.</i>	N
26.	RTCU800195	<i>BICONE D.12 ART182 SUPP.INJECT.</i>	N
27.	RTCU900442	<i>NIPPLE 1/2"- 3/8"</i>	N
28.	RTCU800335	<i>BRUL.CENTR.G100/1 104051600</i>	N
29.	RTCU800339	<i>ECROU D.6 PIL.G100/1 200307</i>	N
30.	182487	<i>TUBE VEILLEUSE BRÛLEUR</i>	N
31.	RIC0004096	<i>PIEZO UNIT</i>	S
32.	RIC0004808	<i>BURNER COMPLETE</i>	N
33.	175088	<i>PILOT BURNER</i>	S
34.	171855	<i>THERMOCOUPLE</i>	S
35.	RTCP800038	<i>RACCORD T/C.PIL.GC47 0974036</i>	S
36.	178973	<i>ROUND SPARK PLUG</i>	S

37.	RTCU900215	RACCORD CAND.TUYAU DE VIDANGE ST.0974037	S
-----	------------	--	---

38.	170723	GLASS VIEWER	N
-----	--------	--------------	---
