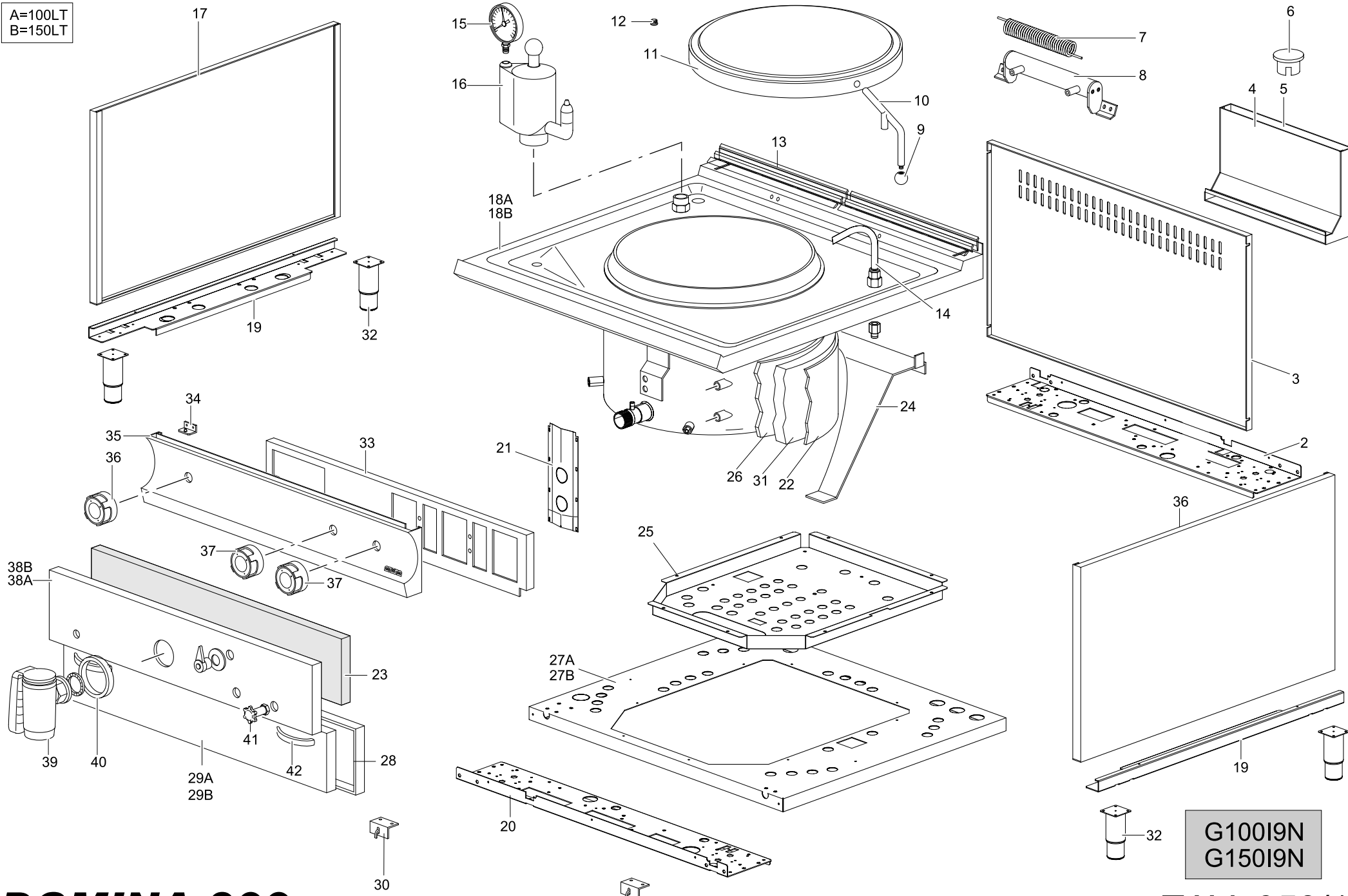


A=100LT
B=150LT

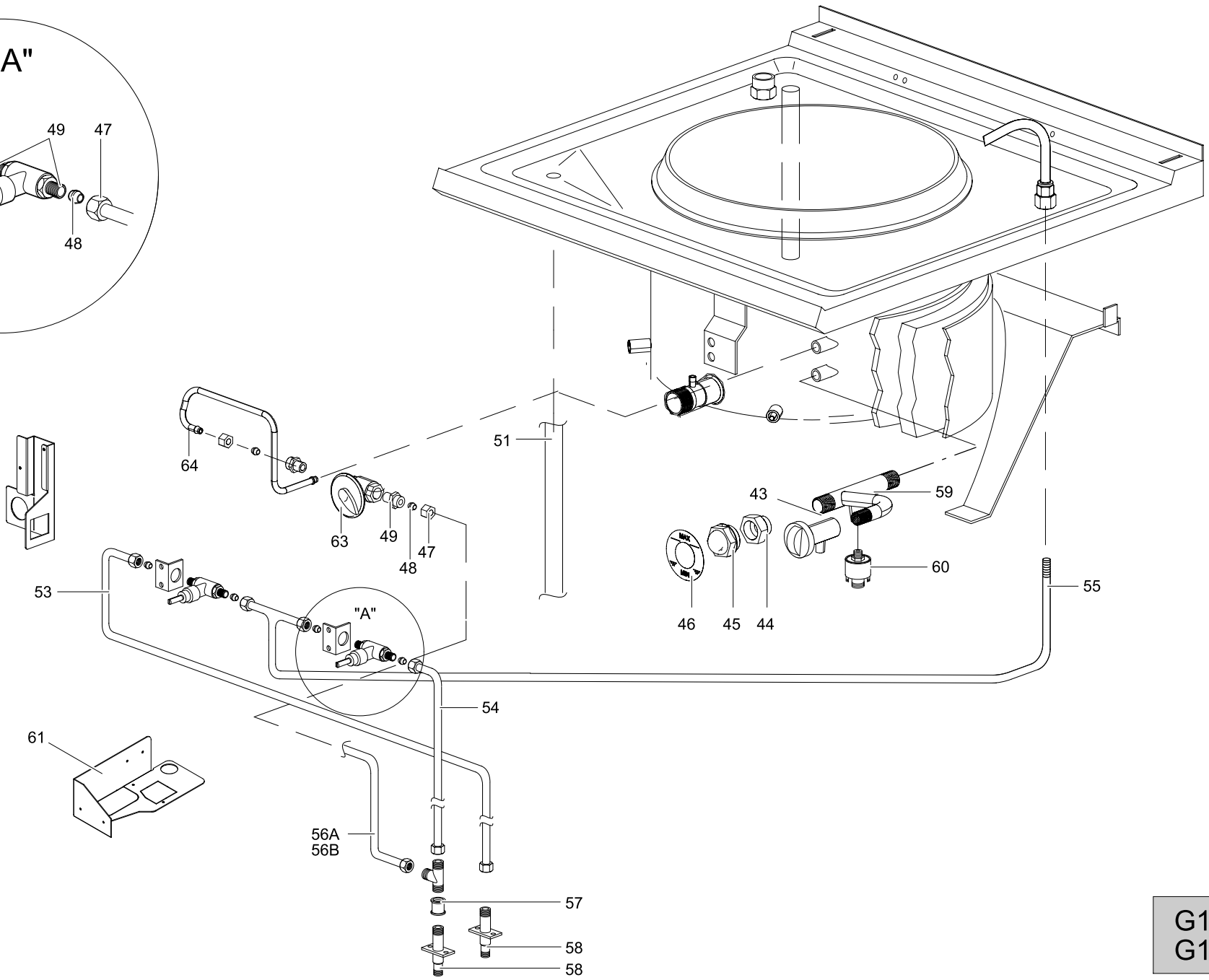
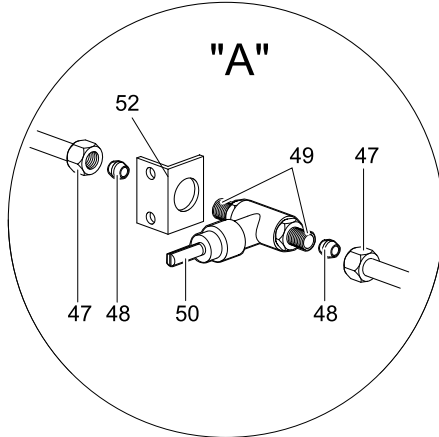


G100I9N
G150I9N

DOMINA 900

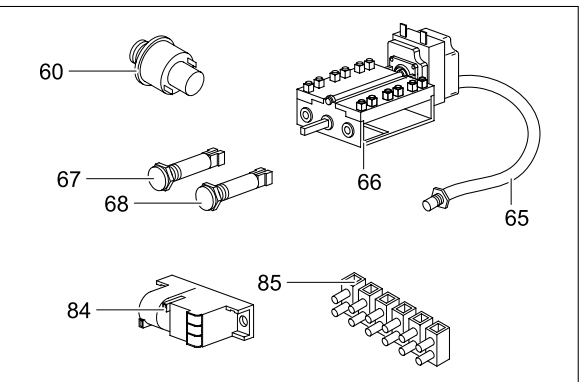
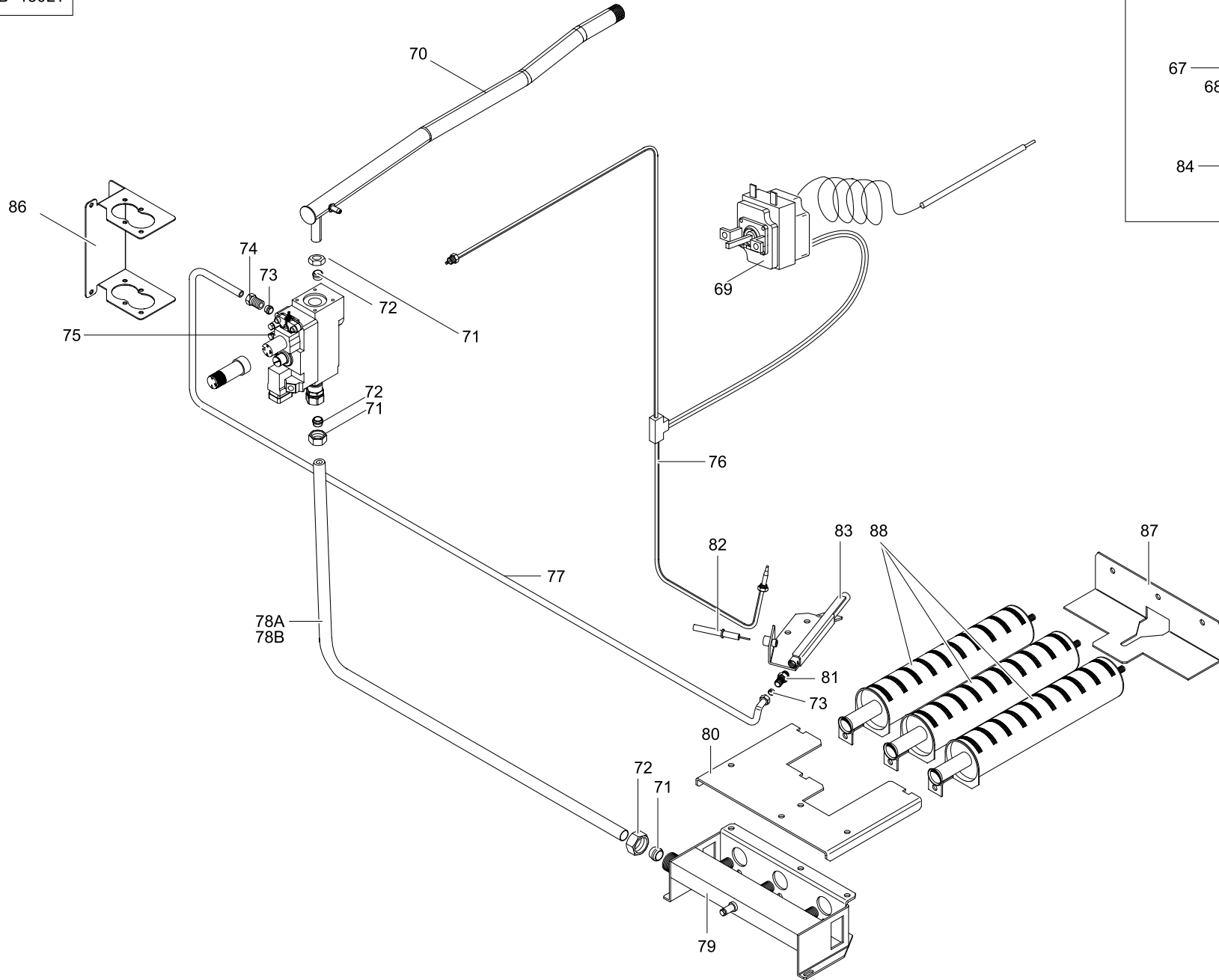
TAV. 953/1

A=100LT
B=150LT



G100I9N
G150I9N

A=100LT
B=150LT



DOMINA 900

G100I9N
G150I9N

TAV. 953/1

TAVOLA	POS.	CODICE	ITALIANO	FRANCESE	INGLESE	TEDESCO
DOMINA TAV. 953/1	1	162676	FIANCO DX	CÔTÉ DROITE	RIGHT SIDE	RECHTE SEITE
DOMINA TAV. 953/1	2	162684	TRAVERSA POSTERIORE	CROISILLON POSTÉRIEURE	FRONT CROSSBAR	HINTERER QUERTRÄGER
DOMINA TAV. 953/1	3	165921	POSTERIORE INOX	POSTÉRIEURE	FRONT CROSSBAR	HINTERER QUERTRÄGER
DOMINA TAV. 953/1	4	160928	PARETE ANTERIORE CAMINO	PAROI AVANT CHEMINÉE	FLUE FRONT WALL	VORDERWAND
DOMINA TAV. 953/1	5	160929	PARETE POSTERIORE CAMINO	PAROI ARRIÈRE	REAR WALL	RÜCKWAND
DOMINA TAV. 953/1	6	163603	TAPPO FISSAGGIO PIANO DOMINA	BOUCHON	PLUG	GEWINDEPROPFEN
DOMINA TAV. 953/1	7	RTCP800026	MOLLA CERNIERA	RESSORT DE LA CHARNIÈRE	HINGE SPRING	
DOMINA TAV. 953/1	8	160932	CERNIERA COMPLETA	CHARNIÈRE COMPLÈTE	COMPLETE HINGE	TÜRANGEL
DOMINA TAV. 953/1	9	172109	SFERA BACHELITE D.40 M10 - PS4010L	BALL	SPHERE	KUGEL
DOMINA TAV. 953/1	10	170321	MANIGLIA COPERCHIO	POIGNÉE DU COUVERCLE	COVER HANDLE	TOPFDECKEL
DOMINA TAV. 953/1	11	170328	COPERCHIO	COUVERCLE	COVER	TOPFDECKEL
DOMINA TAV. 953/1	12	172110	GOMMINO PARACOLPI D.20 - 05006	POINTE	TIP	DORN
DOMINA TAV. 953/1	13	168441	GRIGLIA CAM. NERA/LUC/RAAF	GRILLE DE PLAQUE	WORK PLANE GRATE	PLATTENROST
DOMINA TAV. 953/1	14	RTCP800024	EROGATORE ACQUA	DISTRIBUETUR DE L'EAU	WATER DISTRIBUTOR	WASSERVERSORGER
DOMINA TAV. 953/1	15	RTCP900063	MANOMETRO	MANOMÈTRE	MANOMETER	SICHERHEITSVENTIL
DOMINA TAV. 953/1	16	RTCP800064	VALV.SIC.	SOUPAPE DE SÛRETÉ	SAFETY VALVE	SICHERHEITSVENTIL
DOMINA TAV. 953/1	17	162677	FIANCO SX	CÔTÉ GAUCHE	LEFT SIDE	LINKE SEITE
DOMINA TAV. 953/1	18A	170302	AS.PENTOLA	RÉCIPIENT	BOWL	TOPFBEHÄLTER
DOMINA TAV. 953/1	18B	170298	AS.PENTOLA	RÉCIPIENT	BOWL	TOPFBEHÄLTER
DOMINA TAV. 953/1	19	162882	TRAVERSA LATERALE BASAMENTO	CROISILLON LATÉRAL	SIDE CROSSBAR	QUERTRÄGER
DOMINA TAV. 953/1	20	162881	TRAVERSA ANTERIORE	CROISILLON ANTÉRIEURE	BACK CROSSBAR	VORDERER QUERTRÄGER
DOMINA TAV. 953/1	21	172545	PARETE ANTERIORE CAMERA COMB.	PAROT CHAMBRE DE COMBUSTION	WALL COMBUSTION CHAMBER	RÜCKWAND
DOMINA TAV. 953/1	22	170312	COPRILANA SX	PANNEAU COUVRE ISOLANT GAUCHE	INSUL. PANEL COVERING	ISOLIERMATERIALVERKLEIDUNG
DOMINA TAV. 953/1	22	170313	COPRILANA DX	PANNEAU COUVRE ISOLANT DROIT	INSULATING PANEL COVERING	ISOLIERMATERIALVERKLEIDUNG
DOMINA TAV. 953/1	23	171851	PANNELLO ISOLANTE FACCIATA	CROISILLON ANTÉRIEURE	BACK CROSSBAR	VORDERER QUERTRÄGER
DOMINA TAV. 953/1	24	166427	DEFLETTORE POSTERIORE	DEFLECTEUR	DEFLECTOR	UMLENKBLECH
DOMINA TAV. 953/1	25	172544	PIANO INF. SUPPORTO BRUCIATORE	FOND	BOTTOM	UNTERE EBENE
DOMINA TAV. 953/1	26	170322	CAMERA COMBUSTIONE	CHAMBRE DE COMBUSTION	COMBUSTION CHAMBER	BRENNKAMMER
DOMINA TAV. 953/1	27A	162864	PI.INF.	PLAN INFÉRIEUR	LOWER PLANE	UNTERE EBENE
DOMINA TAV. 953/1	27B	162879	PI.INF.	PLAN INFÉRIEUR	LOWER PLANE	UNTERE EBENE
DOMINA TAV. 953/1	28	171114	C/PORTA	CONTRE PORTE	COUNTER DOOR	GEGENTÜR
DOMINA TAV. 953/1	29A	171113	PORTA	PORTE	DOOR	TÜR
DOMINA TAV. 953/1	29B	171112	PORTA	PORTE	DOOR	TÜR
DOMINA TAV. 953/1	30	RTBF900013	CERN.P.A.	CHARNIÈRE PORTE	DOOR HINGE	TÜRANGEL
DOMINA TAV. 953/1	31	166254	PANNELLO ISOLANTE CAMERA COMBUSTIONE	PANNEAU ISOLANT	INSULATING PANEL	ISOLIERTAFEL
DOMINA TAV. 953/1	32	166429	PIEDINO	PIED	FOOT	FUSS
DOMINA TAV. 953/1	33	170305	TRAVERSA UNIONE FIANCHI	CROISILLON ANTÉRIEURE	FRONT CROSSBAR	VORDERER QUERTRÄGER
DOMINA TAV. 953/1	34	160028	SQ.FIS.CRUSCOTTO	ÉGUERRE DE FIXAGE DU PANNEAU DE CONTRÔLE	BRACKET TO FIX THE CONTROL PANEL	STEUERTAFELBEFESTIGUNGSWINKEL
DOMINA TAV. 953/1	35	172945	AS.CRUSCOTTO	PANNEAU DE CONTRÔLE	CONTROL PANEL	STIRNBRETT
DOMINA TAV. 953/1	36	168847+172559	MANOP.COMMUTATORE.+ANELLO	POIGNÉE +ANNEAU	KNOB+RING	HAHNKUGELGRIFF+RING
DOMINA TAV. 953/1	37	168846+169910	MAN.RUB.CAR.ACQ.+ANELLO ACQUA FREDDA	POIGNÉE ROBINET EAU+ANNEAU	WATER TAP KNOB+RING	HAHNKUGELGRIFF+RING
DOMINA TAV. 953/1	37	168846+169903	MAN.RUB.CAR.ACQ.+ANELLO ACQUA CALDA	POIGNÉE ROBINET EAU+ANNEAU	WATER TAP KNOB+RING	HAHNKUGELGRIFF+RING
DOMINA TAV. 953/1	38A	170326	FACCIATA EST.	DEVANTURE EATERNE	EXTERNAL FACE	EXTERNAL FACE
DOMINA TAV. 953/1	38B	170318	FACCIATA EST.	DEVANTURE EATERNE	EXTERNAL FACE	EXTERNAL FACE
DOMINA TAV. 953/1	39	172234	RUB.SCA.	ROBINET DE DECHARGE DE L'EAU	WATER DISCHARGE TAP	ABLASSHAHN
DOMINA TAV. 953/1	40	RTCP900018	BORCHIA	CLOU	BOSS	AUFLAGE
DOMINA TAV. 953/1	41	RTCP800065	RUB.LIVELLO	ROBINET NIVEAU	LEVEL COCK	PEGELHAHN
DOMINA TAV. 953/1	42	160270	MANIGLIA NICH.SAT.	POIGNÉE	COVER	HANDGRIFF
DOMINA TAV. 953/1	43	RTCP800065	RUBINETTO DI LIVELLO	ROBINET NIVEAU	LEVEL COCK	PEGELHAHN
DOMINA TAV. 953/1	44	170334	NIPLES 1/2"	NIPLES 1/2"	NIPLES 1/2"	NIPLES 1/2"
DOMINA TAV. 953/1	45	170723	VISORE CUPOLA ALL + GUARNIZIONE	DOUILLE	SPY-HOLE	MONITOR
DOMINA TAV. 953/1	46	171022	ANELLO MIN/MAX	ANNEAU	RING	RING

DOMINA TAV. 953/1	47	RTCU900013	CALOTTA D.10	ECROU D.10	NUT D.10	MUTTER D.10
DOMINA TAV. 953/1	48	RTCU900012	BICONO D.10	BICONE D.10	DOUBLE CONE D.10	DOPPELKONUS D.10
DOMINA TAV. 953/1	49	RTCU900132	NIPLES 3/8"	NIPLES 3/8"	NIPLES 3/8"	NIPPEL 3/8"
DOMINA TAV. 953/1	50	168006	RUB.CAR.ACQ.	WATER TAP	ROBINET DE L'EAU	WASSERHAHN
DOMINA TAV. 953/1	51	MPGOM27T00	TU.SCARICO ACQUA	TUBE DE DECHARGE DE L'EAU	WATER DISCHARGE PIPE	WASSERABLAUSSROHR
DOMINA TAV. 953/1	52	160652	SQ. FISSAGGIO RUBINETTO	EGUERRE FIXAGE	BRACKET TO FIX	BRENNERHAL
DOMINA TAV. 953/1	53	164806	TU.AL.ACQ.CALDA CAMERA	TUBE ALIMENTATION EAU CHAUDE	HOT WATER FEEDING PIPE	VERSORGUNGSROHR
DOMINA TAV. 953/1	54	164807	TU.AL.ACQ.FREDDA CAMERA	TUBE ALIMENTATION EAU FROIDE	COLD WATER FEEDING PIPE	VERSORGUNGSROHR
DOMINA TAV. 953/1	55	160940	TU.AL.EROG.ACQ.V.	TUBE DISTRIBUTION ECU	WATER FEEDING PIPE	HAHNVERSORGUNGSROHR
DOMINA TAV. 953/1	56A	165635	TU.AL.CAMERA PRECAMERA	TUBE D'ALIMENTATION	FEEDING PIPE	BRENNERVERSORGUNGSROHR
DOMINA TAV. 953/1	56B	164998	TU.AL.CAMERA PRECAMERA	TUBE D'ALIMENTATION	FEEDING PIPE	BRENNERVERSORGUNGSROHR
DOMINA TAV. 953/1	57	RTCU700629	MANICOTTO FE.FF.3/8"ZINC.	DOUILLE FILETÉ 3/8"	THREADED BUSH 3/8"	ANSCHLUSSSTÜCK 3/8"
DOMINA TAV. 953/1	58	173465	AS.ATT.ACQUA	ATTAQUE DE L'EAU	WATER CONNECTION	WASSERANSCHLUß
DOMINA TAV. 953/1	59	170306	TUBO LIVELLO INOX	TUYAU NIVEAU	LEVEL PIPE	PEGELROHR
DOMINA TAV. 953/1	60	170843	PRESSOSTATO	PRESSOSTAT	PRESSURE SWITCH	DRUCK WACTER
DOMINA TAV. 953/1	61	170308	STAFFA RUBINETTO ACQUA	STAFFA RUBINETTO	STAFFA TAP	STAFFA HAHN
DOMINA TAV. 953/1	63	RTCU600075	RUBINETTO CARICO ACQUA	ROBINET DE L'EAU	WATER TAP	WASSERHAHN
DOMINA TAV. 953/1	64	170309	TUBO ALIMENTAZIONE INTERCAPEDINE	TUBE ALIMENTATION DISTRIBUTOR	DISTRIBUTOR FEEDING PIPE	HAHNVERSORGUNGSROHR
DOMINA TAV. 953/1	65	169091	TERMOSTATO	THERMOSTAT	THERMOSTAT	THERMOSTAT
DOMINA TAV. 953/1	66	RTCU600185	COMMUTATORE	COMMUTATEUR	SWITCH	HAUPTSHALTER
DOMINA TAV. 953/1	67	166465	LAMPADA SPIA VERDE	LAMPE TÉMOIN VERTE	GREEN WARNING LIGHT	GRÜNE KONTROLLEUCHE
DOMINA TAV. 953/1	68	166466	LAMPADA SPIA ARANCIO	LAMPE TÉMOIN	ORANGE WARNING LIGHT	KONTROLLEUCHTENBIRNE
DOMINA TAV. 953/1	69	RTCP800067	TERMOSTATO LIMIT	THERMOSTAT LIMIT	LIMIT THERMOSTAT	THERMOSTAT LIMIT
DOMINA TAV. 953/1	70	170332	AS.RAMPA	RAMPE	RAMP	RAMPE
DOMINA TAV. 953/1	71	RTCP800022	CALOTTA RUB.D.16	ECROU POUR ROBINET D.16	NUT FOR TAP D.16	MUTTER FÜR SCHLAUCH D.16
DOMINA TAV. 953/1	72	RTCP800023	BICONO RUB.D.16	BICONE D.16	DOUBLE CONE D.16	DOPPELKONUS D.16
DOMINA TAV. 953/1	73	RTCU900018	BICONO D.6	BICONE D.6	DOUBLE CONE D.6	DOPPELKONUS D.6
DOMINA TAV. 953/1	74	RTCU800339	CALOTTA D.6	ECROU D.6	NUT D.6	MUTTER D.6
DOMINA TAV. 953/1	75	169587	CORPO VALVOLA GAS	SOUPAPE A GAZ	GAS SECURITY VALVE	GAS-SICHERHEITSVENTIL
DOMINA TAV. 953/1	76	RTCU700374	T/COPPIA	THERMOCOUPLE	THERMOCOUPLE	THERMOELEMENT
DOMINA TAV. 953/1	77	172542	TU.PILOTA BRUC.	TUBE VEILLEUSE	PILOT PIPE	PILOTBRENNERROHR
DOMINA TAV. 953/1	78A	172541	TUBO ALIMENTAZIONE BRUCIATORE	TUBE ALIMENTATION BRULEUR	BURNER FEEDING PIPE	BRENNERVERSORUNGSROHR
DOMINA TAV. 953/1	78B	170303	TUBO ALIMENTAZIONE BRUCIATORE	TUBE ALIMENTATION BRULEUR	BURNER FEEDING PIPE	BRENNERVERSORUNGSROHR
DOMINA TAV. 953/1	79	160946	AS.SUP.INIET	SUPPORT INJECTEUR	INJECTOR SUPPORT	EINSPRITZHALTERUNG
DOMINA TAV. 953/1	80	160458	PROTEZIONE BRUCIATORE	PROTECTION DU BRÛLEUR	BURNER PROTECTION	BRENNERSCHUTZ
DOMINA TAV. 953/1	81	VEDI MANUALE UGELLI	INIETTORE PILOTA	VEILLEUSE	PILOT	PILOTBRENNER
DOMINA TAV. 953/1	82	RTCU900010	CAND.ROT.	BOUGIE OXIDE RONDE	ROUND SPARK	ZÜNDKERZE
DOMINA TAV. 953/1	83	GACP800065	AS. PILOTA	VEILLEUSE	PILOT	PILOTBRENNER
DOMINA TAV. 953/1	84	RTBF800129	ACCENDITORE ELETTRICO	ALLUMAGE	LIGHTING	PIEZOELEKTRISCHER ANZÜNDER
DOMINA TAV. 953/1	85	RTBF800149	MORSETTIERA	CONNECTION DES CABLES	CLAMP	KLEMMEN
DOMINA TAV. 953/1	86	170288	SQ. FISSAGGIO VALVOLA	SQ.FIS. ELECTROVANE	ELECTRIC VALVE SUPPORT	HALTER ELEKTROVENTIL
DOMINA TAV. 953/1	87	160457	SQ.POST. FISS. BRUCIATORI	EGUERRE FIXAGE BRÛLEUR	BRACKET TO FIX BURNER	BRENNERHALTEWINKEL
DOMINA TAV. 953/1	88	RTCU800335	BRUC.CENT.	BRÛLEUR CENTRALE	CENTRAL BURNER	MITTLERER BRENNER