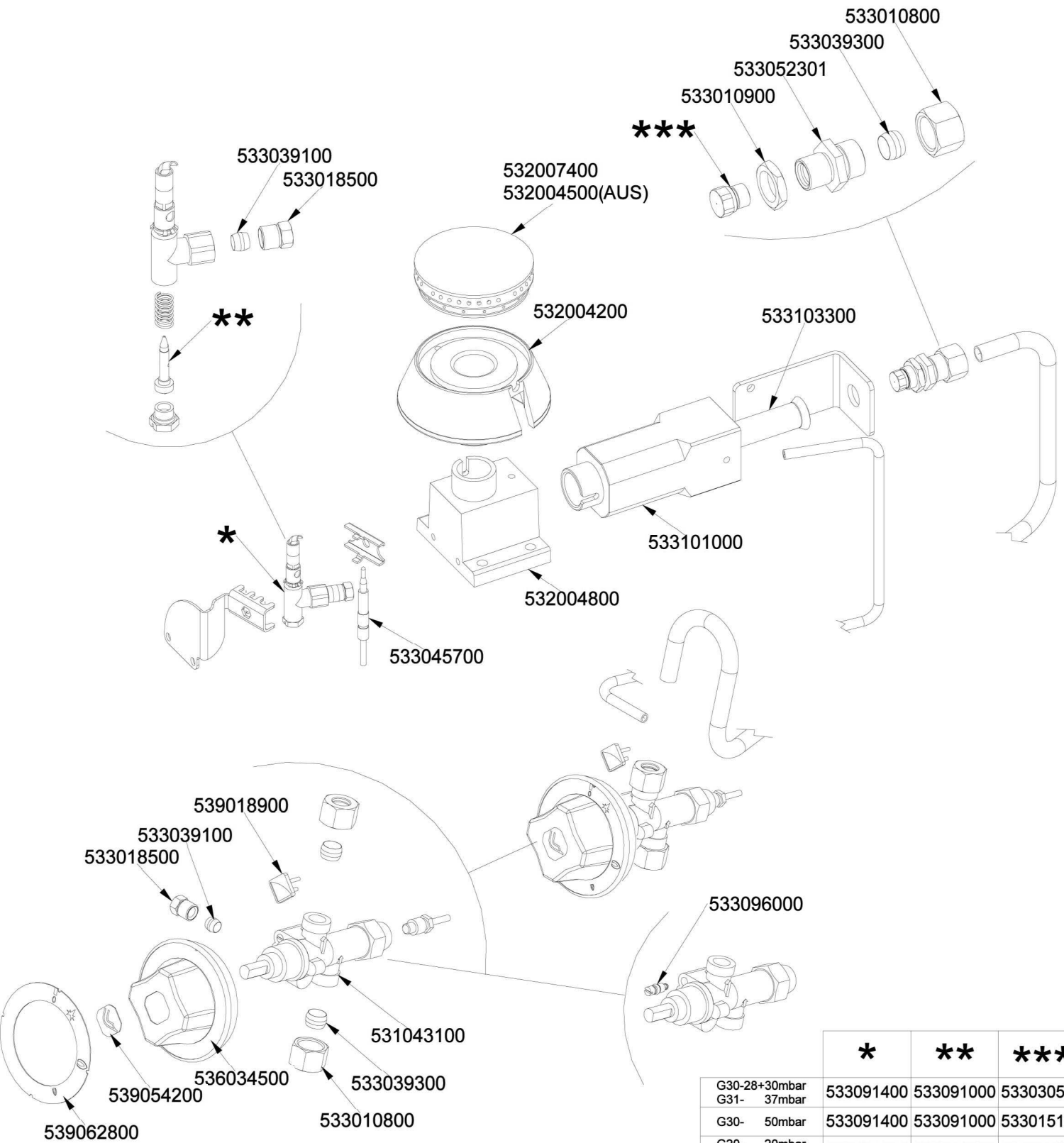
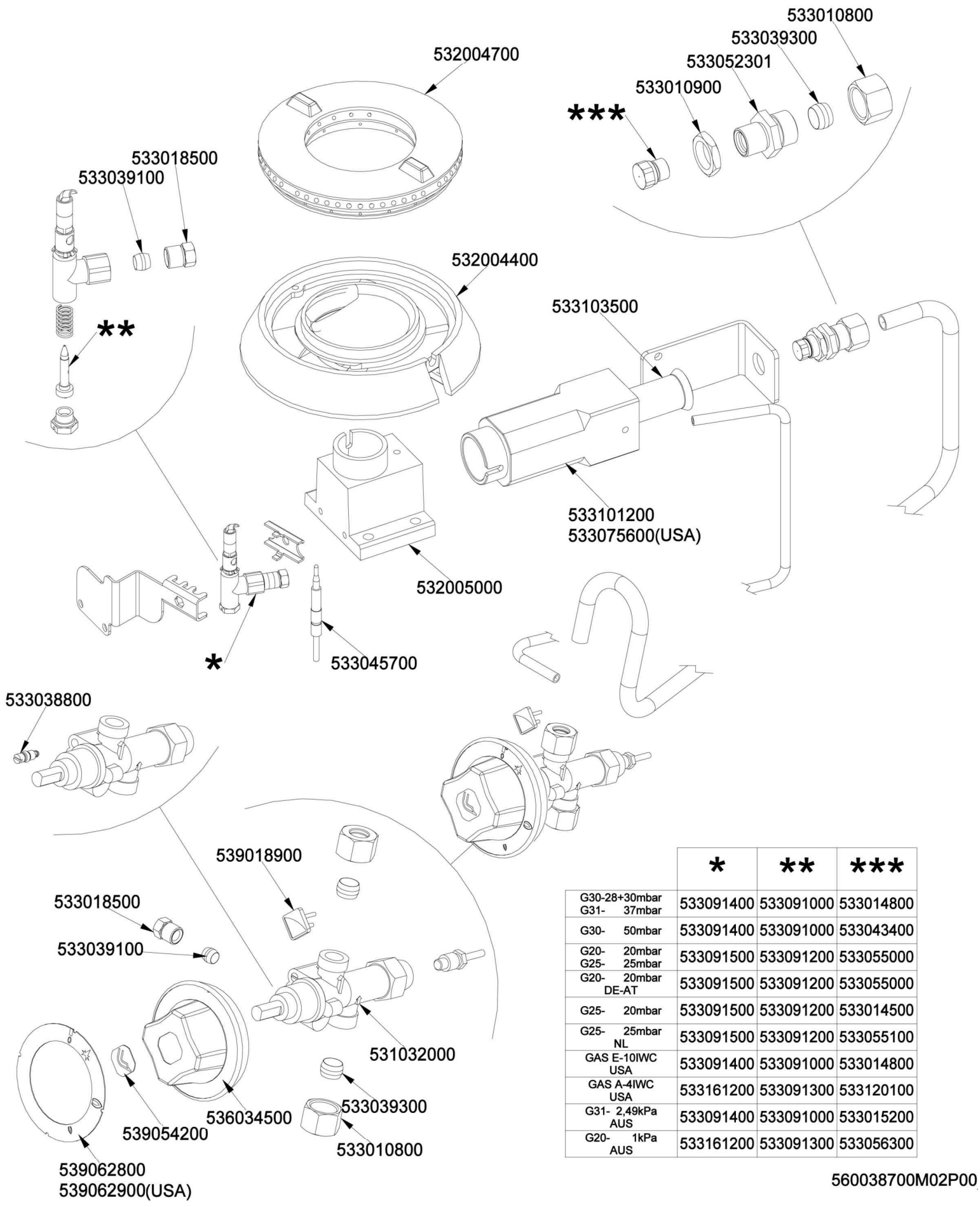


	*	**	***
G30-28+30mbar G31- 37mbar	533091400	533091000	533043900
G30- 50mbar	533091400	533091000	533019300
G20- 20mbar G25- 25mbar	533091500	533091200	533031000
G20- 20mbar DE-AT	533091500	533091200	533031000
G25- 20mbar	533091500	533091200	533043500
G25- 25mbar NL	533091500	533091200	533019400
GAS E-10IWC USA	533091400	533091000	533043200
GAS A-4IWC USA	533161200	533091300	533043100
G31- 2,49kPa AUS	533091400	533091000	533043900
G20- 1kPa AUS	533161200	533091300	533043500



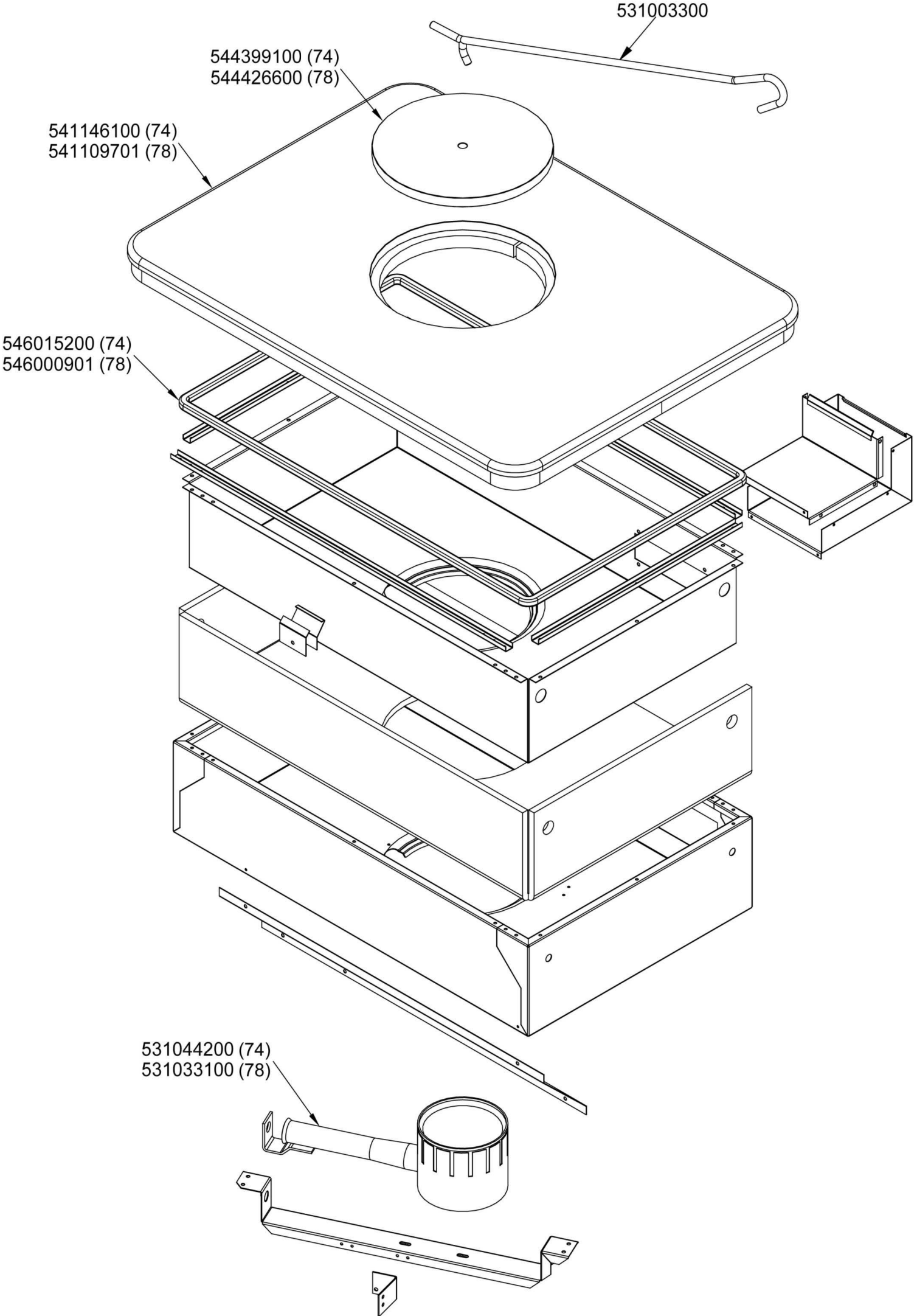
	*	**	***
G30-28+30mbar G31- 37mbar	533091400	533091000	533030500
G30- 50mbar	533091400	533091000	533015100
G20- 20mbar G25- 25mbar	533091500	533091200	533015200
G20- 20mbar DE-AT	533091500	533091200	533015200
G25- 20mbar	533091500	533091200	533030800
G25- 25mbar NL	533091500	533091200	533014900
G31- 2,49kPa AUS	533091400	533091000	533019300
G20- 1kPa AUS	533161200	533091300	533030300

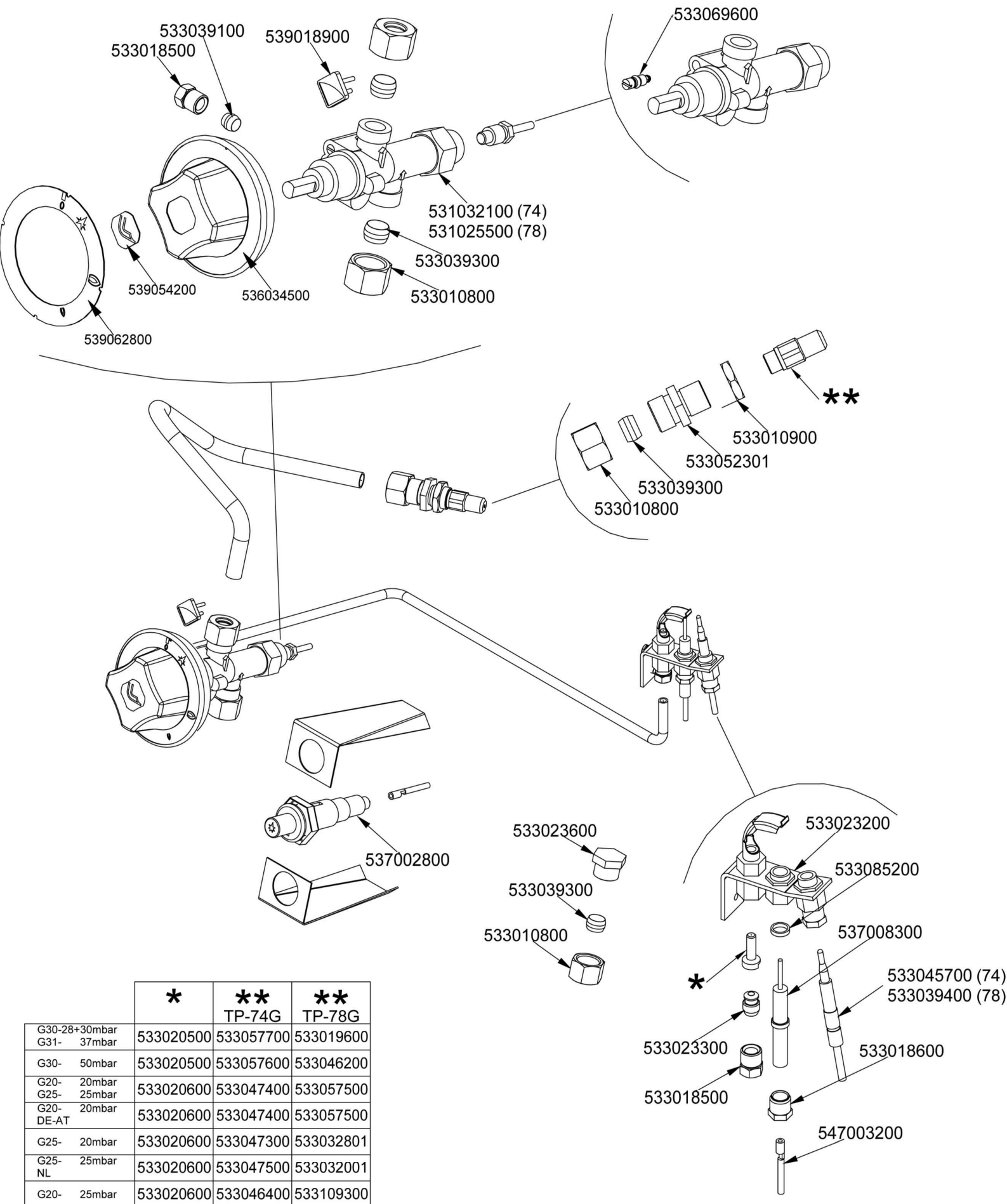
560038500M02P00



	*	**	***
G30-28+30mbar G31- 37mbar	533091400	533091000	533014800
G30- 50mbar	533091400	533091000	533043400
G20- 20mbar G25- 25mbar	533091500	533091200	533055000
G20- 20mbar DE-AT	533091500	533091200	533055000
G25- 20mbar	533091500	533091200	533014500
G25- 25mbar NL	533091500	533091200	533055100
GAS E-10IWC USA	533091400	533091000	533014800
GAS A-4IWC USA	533161200	533091300	533120100
G31- 2,49kPa AUS	533091400	533091000	533015200
G20- 1kPa AUS	533161200	533091300	533056300

560038700M02P00





	*	**	**
		TP-74G	TP-78G
G30-28+30mbar			
G31- 37mbar	533020500	533057700	533019600
G30- 50mbar	533020500	533057600	533046200
G20- 20mbar	533020600	533047400	533057500
G25- 25mbar	533020600	533047400	533057500
G20- 20mbar	533020600	533047400	533057500
DE-AT			
G25- 20mbar	533020600	533047300	533032801
G25- 25mbar	533020600	533047500	533032001
NL			
G20- 25mbar	533020600	533046400	533109300

Page	Pos	Code	Description
001		532004100	FLUE GRID L=370 90LINE (RAF
001		531047000	2 BURNER GRID FOR PC-700
001		541134900	LOW SPACER 712 1 GRID
001		544333900	BURNER CONTAINER 1/1GN R 304
001		544383300	UPPER PLATE PC-712GP CF6-7128GP/GPE
001		544333800	BURNER CONTAINER 1/1GN R 304
001		544173500	LEFT SIDE PANEL S.70
001		541146600	CONTROL PANEL TP4-912G
001		536005200	INOX LEG 2" 120-180 M10
001		544173400	RIGHT SIDE PANEL S.70
002		532004600	BURNER COVER RING R D104
002		533039100	BICONE §6
002		533018500	FITTING FOR BICONE D.6 M10*1
002		532004300	MIDDLE BURNER BODY 70LINE P.
002		533010900	NUT M14*1 H.4
002		533052301	JOINT FOR NOZZLE HOLDER
002		533039300	BICONE §10
002		533010800	TUBE NUT D.10 M16*1,5
002		533045700	THERMOCOUPLE M9*1 500
002		533039400	THERMOCOUPLE M9*1*850
002		532004900	ELBOW FITTING OF BURNER VENTURI R
002		533069100	BY PASS COCK §60 20S
002		533101100	BURNER VENTURI R
002		533075500	BURNER VENTURI 5,5KW S70 USA
002		533103400	AIR ADJUSTMENT BUSHING D20 EST.H57
002		539018900	INDEX FOR KNOB W/RED SIGN
002		531042900	B.PASS §60 SAFETY COCK PC/CF 90
002		539054200	STAMP Ø20,5 CR."L" LOTUS R.
002		539062800	RED STICKING DISK 72
002		539062900	RED STICKING DISK 72 USA
002		533091400	P.NOZZLE S100 UG.§20 PC90 LPG-FLUS
002		533091500	PILOT NOZZLE S.100 §30 PC90 NAT.GAS
002		533091000	NOZZLE 0.100 §20
002		533091200	PILOT NOZZLE 0100 Ø35 PIL.PC
002		533091300	PILOT NOZZLE 0100 Ø40 PIL.PC
002		533043900	NOZZLE §115 CH12*14 F-CW4
002		533019300	NOZZLE §100 G-FQ5 F-CW
002		533031000	NOZZLE §175 CH12X14
002		533043500	NOZZLE §190 CH12*14 G25 PC4R
002		533019400	NOZZLE §180 CH12*14 L-FQ5
002		533043200	NOZZLE §110 G30 (LPG) CH12X14
002		533043100	NOZZLE §185 G25 CH12X14
003		533010800	TUBE NUT D.10 M16*1,5
003		533039300	BICONE §10
003		533052301	JOINT FOR NOZZLE HOLDER
003		533010900	NUT M14*1 H.4
003		533039100	BICONE §6
003		532007400	BURNER COVER RING Ø073 4 Z
003		533018500	FITTING FOR BICONE D.6 M10*1
003		532004500	BURNER COVER RING SR D73
003		532004200	SMALL BURNER BODY 70LINE P.

Page	Pos	Code	Description
003		533103300	AIR ADJUSTMENT BUSHING D16 EST.H57
003		533101000	BURNER VENTURI SR
003		532004800	ELBOW FITTING OF BURNER VENTURI SR
003		533045700	THERMOCOUPLE M9*1 500
003		539018900	INDEX FOR KNOB W/RED SIGN
003		533096000	§50 BY-PASS COCK 20S-21S
003		531043100	B.PASS §50 SAFETY COCK PC/CF 70
003		539054200	STAMP Ø20,5 CR."L" LOTUS R.
003		536034500	KNOB §77 4P. §08*6,5
003		539062800	RED STICKING DISK 72
003		533091400	P.NOZZLE S100 UG.§20 PC90 LPG-FLUS
003		533091500	PILOT NOZZLE S.100 §30 PC90 NAT.GAS
003		533091000	NOZZLE 0.100 §20
003		533091200	PILOT NOZZLE 0100 Ø35 PIL.PC
003		533091300	PILOT NOZZLE 0100 Ø40 PIL.PC
003		533030500	NOZZLE §90 CH12X14 G30/CE
003		533015100	NOZZLE §80 CH12*14 F-FP/CP6
003		533015200	NOZZLE §145 CH12*14 F-FP/CP6
003		533030800	NOZZLE §155 CH12X14 M-CW
003		533014900	NOZZLE §150 CH12*14 F-FQ5 L-FQ6
003		533019300	NOZZLE §100 G-FQ5 F-CW
003		533030300	NOZZLE §160 CH12*14 M-FPG
004		533010800	TUBE NUT D.10 M16*1,5
004		533039300	BICONE §10
004		533052301	JOINT FOR NOZZLE HOLDER
004		532004700	BURNER COVER RING UR D128
004		533010900	NUT M14*1 H.4
004		533018500	FITTING FOR BICONE D.6 M10*1
004		533039100	BICONE §6
004		532004400	BIG BURNER BODY 70LINE P.
004		533103500	AIR ADJUSTMENT BUSHING D22 EST.H57
004		533101200	BURNER VENTURI UR
004		533075600	BURNER VENTURI 7,5KW S70 USA
004		532005000	ELBOW FITTING OF BURNER VENTURI UR
004		533045700	THERMOCOUPLE M9*1 500
004		533038800	75 BY-PASS FOR 21S TAP
004		539018900	INDEX FOR KNOB W/RED SIGN
004		531032000	GAS COCK P.V.BY-PASS Ø075
004		536034500	KNOB §77 4P. §08*6,5
004		539054200	STAMP Ø20,5 CR."L" LOTUS R.
004		539062800	RED STICKING DISK 72
004		539062900	RED STICKING DISK 72 USA
004		533091400	P.NOZZLE S100 UG.§20 PC90 LPG-FLUS
004		533091500	PILOT NOZZLE S.100 §30 PC90 NAT.GAS
004		533091000	NOZZLE 0.100 §20
004		533091200	PILOT NOZZLE 0100 Ø35 PIL.PC
004		533091300	PILOT NOZZLE 0100 Ø40 PIL.PC
004		533014800	NOZZLE §135 CH12*14,0
004		533043400	NOZZLE §117 CH12*14 G-PC4 UR
004		533055000	NOZZLE §205 CH12*14 G25 CW4
004		533014500	NOZZLE §225 CH12*14 OVEN GN 2/1

Page	Pos	Code	Description
004		533055100	NOZZLE §215 CH12*14 L-CW4
004		533120100	NOZZLE §210 CH12*14,0
004		533015200	NOZZLE §145 CH12*14 F-FP/CP6
004		533056300	NOZZLE §240 CH12*14
005		531003300	TP-PLATE LIFTING HOOK
005		544399100	PLATE RING FOR TP-74G TP-94G
005		544426600	PLATE RING FOR TP-98G
005		541146100	PLATE TP-74G
005		541109701	UPPER PLATE TP-78G
005		546015200	SQUARE BRAID 12*12*L=1495
005		546000901	SQUARE BRAID OF INSULATING MATERIAL
005		531044200	CIRCULAR BURNER TP D.066
005		531033100	BURNER TP.-78G
006		533018500	FITTING FOR BICONE D.6 M10*1
006		533039100	BICONE §6
006		539018900	INDEX FOR KNOB W/RED SIGN
006		533069600	BY PASS COCK §130 20S-21S
006		531032100	GAS COCK 21S P.V.BY-PASS Ø100
006		531025500	GAS COCK 21S P.V.BY-PASS Ø130
006		533039300	BICONE §10
006		533010800	TUBE NUT D.10 M16*1,5
006		536034500	KNOB §77 4P. §08*6,5
006		539054200	STAMP Ø20,5 CR."L" LOTUS R.
006		539062800	RED STICKING DISK 72
006		533010900	NUT M14*1 H.4
006		533052301	JOINT FOR NOZZLE HOLDER
006		537002800	PIEZOELECTRIC IGNITION M18 WITH NUT
006		533023600	TAP PLUG §10 M16*1, 5CH19
006		533023200	TARGET PILOT + NIPPLE TC BRAC.90°
006		533085200	SPACER FOR PILOT PLUG
006		537008300	ROUND PLUG §2,4- LONG ELECTRODE
006		533045700	THERMOCOUPLE M9*1 500
006		533039400	THERMOCOUPLE M9*1*850
006		533023300	BICONE §6 ("TARGET" PILOT
006		533018600	PLUG FITTING
006		547003200	HIGH-VOLTAGE CABLE TUBE.§2 L=500
006		533020500	NOZZLE 0.140 §19
006		533020600	NOZZLE 0.140 §27
006		533057700	NOZZLE §130A CH12*30 F-BRF74
006		533057600	NOZZLE §115A CH12*30 G-BRF74
006		533047400	NOZZLE §195 CH12*30 M-BM8
006		533047300	NOZZLE §215 CH12*30 L-BM8
006		533046400	NOZZLE §185 CH12*30 G-CPM
006		533019600	NOZZLE §165 CH12*30 MH-FT5 H-FT6
006		533046200	NOZZLE §150 CH12X30 L-BR TP
006		533057500	NOZZLE §260 CH12X30
006		533032801	NOZZLE §280 CH12*30 M-CPM
006		533032001	NOZZLE §270 CH12*30 MH-CPM
006		533109300	NOZZLE CH12X30,0 Ø245