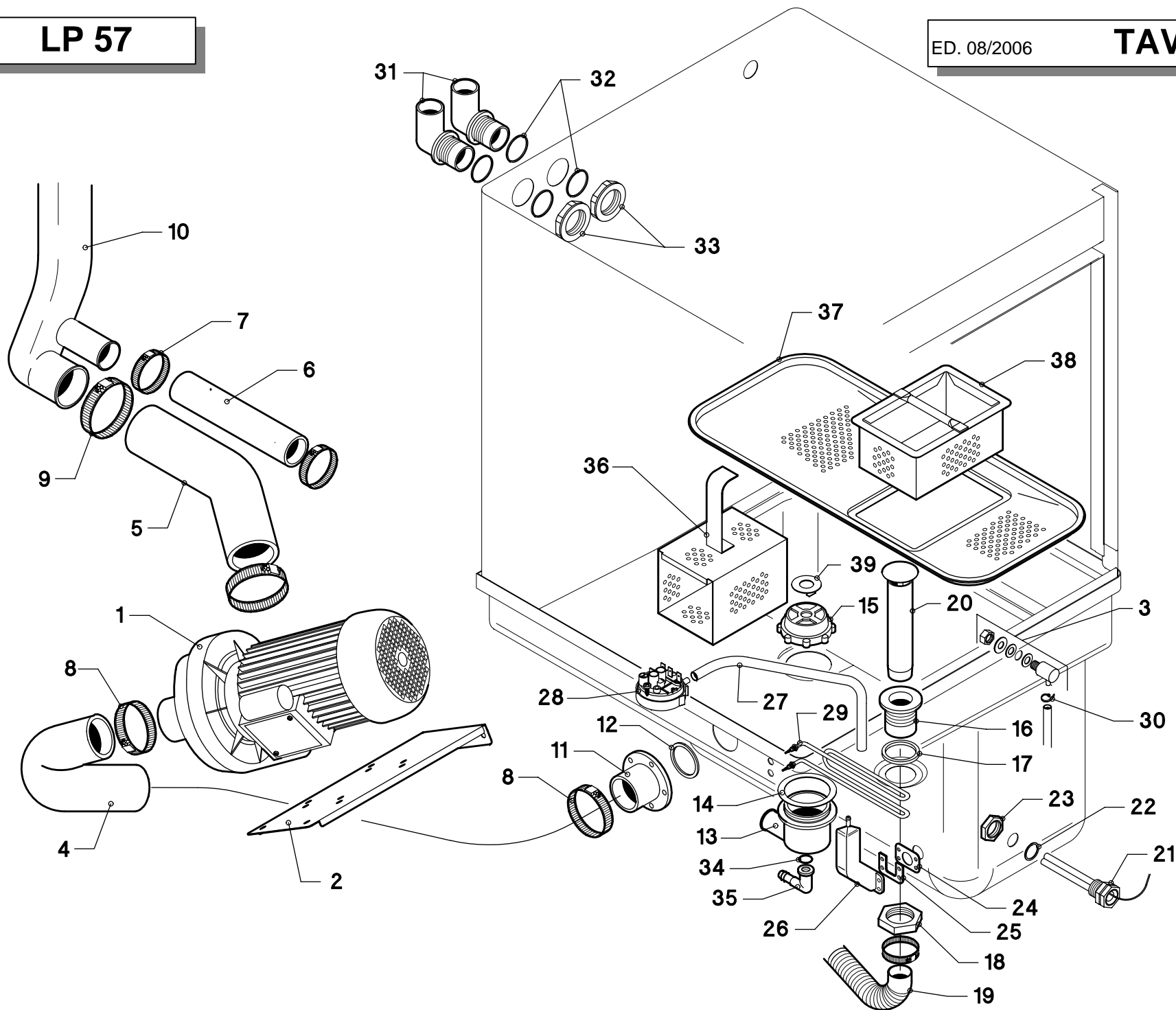
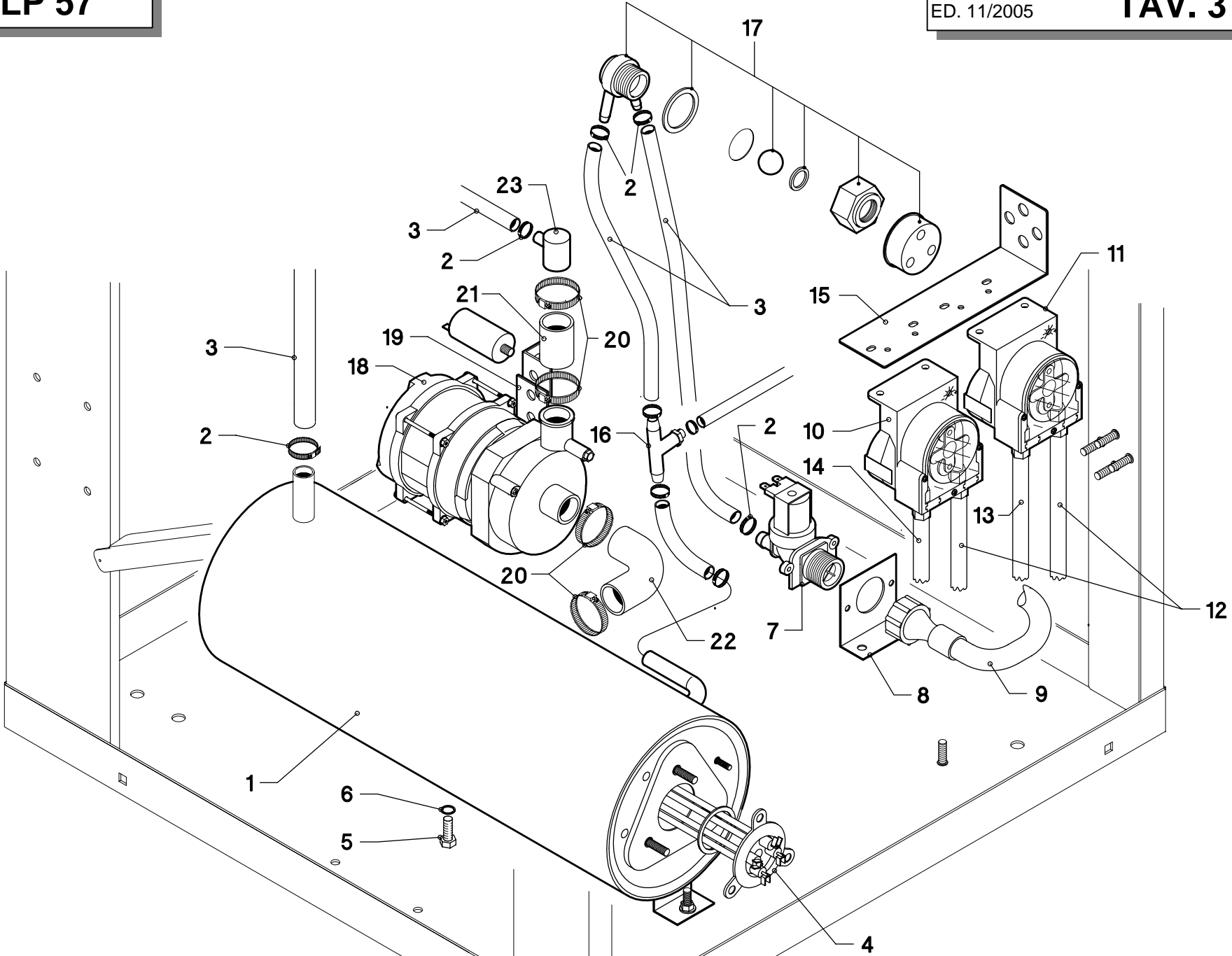


Pos.	COD.	Q.tà	DESCRIZIONE	DENOMINATION	DESCRIPTION	BEZEICHNUNG	DESCRIPCIÓN
1	908550	1	BASAMENTO	SOCLE	BASE	UNTERSTRUKTUR	BASE
2	TR0860	4	PIEDINO REGOLABILE	PETIT PIED RÉGABLE	RUBBER LEG	EINSTELLBARESOCKEL	PIÉ REGULABLE
3	908699	1	VASCA STAMPATA	BASSIN	TANK	WANNE	BATEA
4	TR3713	1	PANNELLO FRONTALE	PANNEAU FRONTAL	FRONTAL PANEL	FRONT VERKLEIDUNG	PANEL FRONTAL
5	TR3717	1	PORTA	PORTE	DOOR	TÜR	PUERTA
6	901661	1	PROFILO MANIGLIA	Listeau manille	HANDLETRIM	KLINKE PROFIL	PERFIL MANILLA
7	903934	1	MANIGLIA PORTA	MANILLE	HANDLE	KLINKE	MANILLA
8	908706	1	CUSTODIA CON MAGNETE	PROTECTION MAGNETO	COVER MAGNET	MAGNETSCHUTZ	ESTUCHE CON IMÁN
9	902023	2	DADO SCROCCHETTO	ECROU DU CLIQUET	NUT LATCH	KLINKENMUTTER	TUERCA
10	906121	2	SCROCCHETTO INOX	CLIQUET FERMETURE PORTE	DOOR CATCH	SCHNAPPVERSCHLUSS	PICAPORTE RESORTE
11	907242	2	TIRANTE PORTA	TIRANT DU PORTE	DOOR SCREW STAY	TÜRZUGSTANGE	VARILLA PUERTA
12	905424	2	FERMO PORTA	FERMETURE PORTE	DOOR SUPPORT	TÜR HALTERUNG	TOPE PUERTA
13	904952	2	PIASTRINA	PLAQUETTE	PLATE	PLATTEKEN	PLACA
14	902040	2	DADO ATB M6	ECROU	NUT	MUTTER	TUERCA
15	901245	2	CERNIERA	PATTE	DOOR SUPPORT	SCHARNIER	BISAGRA
16	904795	2	PERNO PORTA	TOURILLON DE LA PORTE	DOOR PIN	TÜRSCHARNIERESTIFT	PERNO PUERTA
17	TR3711	1	CAPOTE COMPLETA	CAPOTE	HOOD	GEHAUSE	CAPOTE
18	955773	1	SQUADR. RINFORZO LABIRINTO DX	EQUERRE	BRACKET	WINKEL	ANGULAR
19	955774	1	SQUADR. RINFORZO LABIRINTO SX	EQUERRE	BRACKET	WINKEL	ANGULAR
20	TR3716	1	PANNELLO LATERALE DX	PANNEAU DROITE	RIGHT PANEL	RECHTE VERKLEIDUNG	PANEL DERECHO LATERAL
21	TR3715	1	PANNELLO LATERALE SX	PANNEAU GAUCHE	LEFT PANEL	LINKE VERKLEIDUNG	PANEL IZQUIERDO LATERAL
22	TR3616	1	FRONTALINO SUPERIORE	FRONTAL SUPÉRIEUR	HIGHER FRONTAL	FRONTALER VORGESETZTER	FRONTAL SUPERIOR
23	TR3613	1	PANNELLO SUPERIORE	PANNEAU SUPERIEUR	UPPER SIDE PANEL	OBERE VERKLEIDUNG	PANEL SUPERIOR
24	TR3718	1	PANNELLO POSTERIORE	PANNEAU POSTERIEUR	BACK PANEL	HINTERE VERKLEIDUNG	PANEL POSTERIOR
25	906793	2	GUIDA PORTACESTELLO	GUIDE PORTE PANIER	BASKET CARRIER GUIDE	KORBÜFÜHRUNG	GUÍA PORTACESTO
26	TR3617	2	SQUADR. FISS GUIDA PORTACEST.	EQUERRE GUIDE PORTE PANIER	BASKET CARRIER GUIDE BRACKET	KORBÜFÜHRUNG WINKEL	ANGULAR GUÍA PORTACESTO
27	TR3708	1	TARGA + RETROTARGA	PLAQUETTE	PLATE	SCHILD	PLACA
28	909105	1	REED MAGNETICO	REED	REED	REED	REED MAGNÉTICO



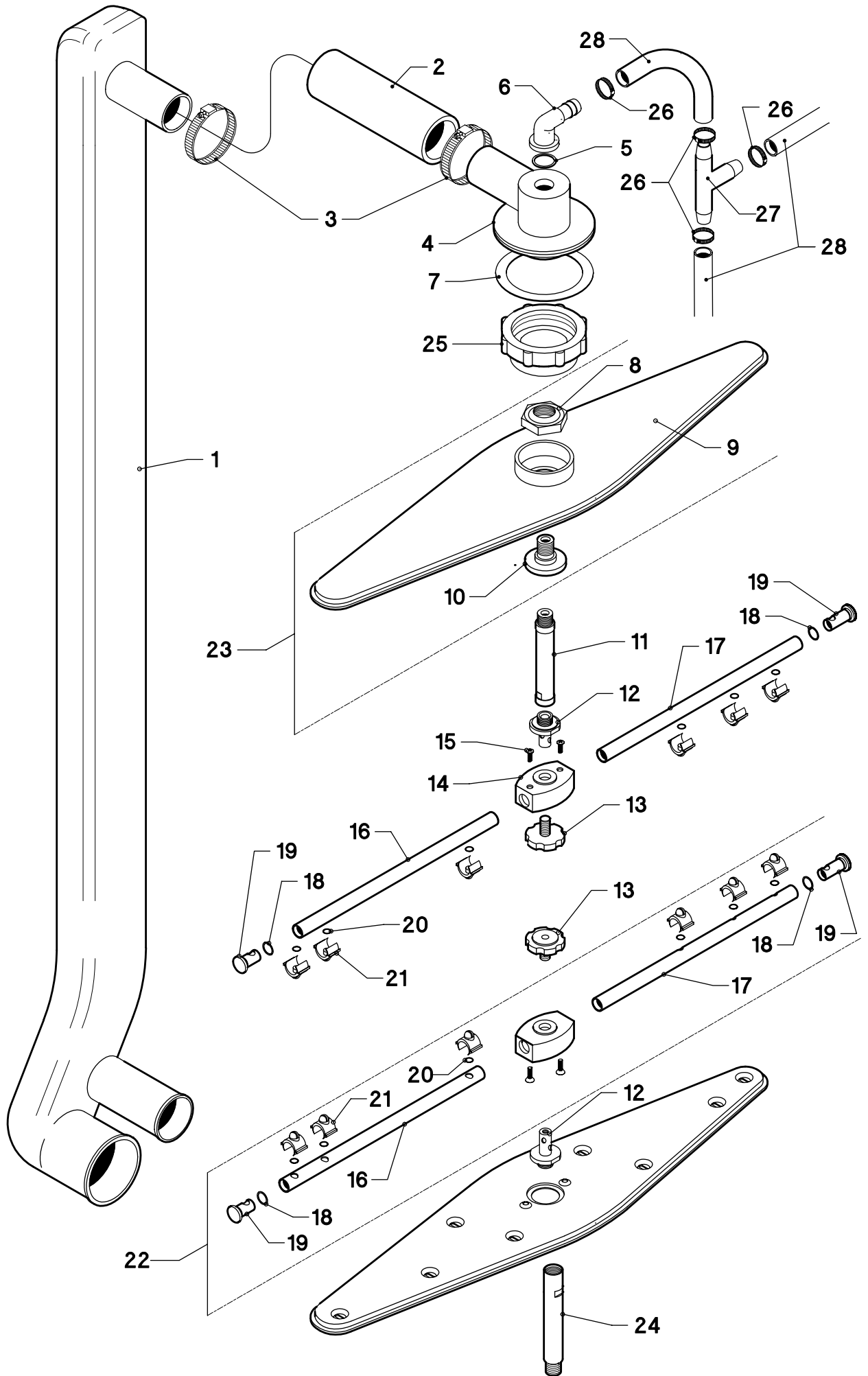
Pos.	COD.	Q.tà	DESCRIZIONE	DENOMINATION	DESCRIPTION	BEZEICHNUNG	DESCRIPCIÓN
1	902322	1	POMPA	POMPE	PUMP	PUMPE	BOMBA
2	908574	1	SUPPORTO POMPA	SUPPORT POMPE	PUMP SUPPORT	PUMPE TRÄGER	SOPORTE BOMBA
3	902366	1	RACCORDO INOX	RACCORD	PIPE FITTING	ANSCHLUSSE	EMPALME
4	903701	1	MANICOTTO ASPIRAZIONE	MANCHON D'ASPIRATION	INLET ELBOW	ANSAUGMUFFE	PALANCA DE ASPIRACIÓN
5	908713	1	TUBO MANDATA	MANCHON DE REFAULEM.	OUTLET ELBOW	AUSLAMUFFE	PALANCA DE MANDO
6	908712	1	TUBO MANDATA LAVAGGIO INFER.	TUYAU DE LAVAGE INF.	LOWER WASHING PIPE	UNTERER SPÜLUNG SAÜLE	TUBO LAVADO INFERIOR
7	902441	2	FASCETTA Ø 38-50	COLLIER	CLAMP	SCHELLE	ABRAZADERA
8	902490	2	FASCETTA Ø 58-75	COLLIER	CLAMP	SCHELLE	ABRAZADERA
9	902480	2	FASCETTA Ø 44-56	COLLIER	CLAMP	SCHELLE	ABRAZADERA
10	908748	1	COLONNA LAVAGGIO	COLONNE DE LAVAGE	WASHING PIPE	SPÜLUNG SAÜLE	COLUMN LAVADO
11	901653	1	RACCORDO ASPIRAZIONE	RACCORD D'ASPIRATION	INTAKE PIPE FITTING	ANSAUGANSCHLUSSE	EMPALME DE ASPIRACIÓN
12	904395	1	O-RING	O-RING	O-RING	O-RING	O-RING
13	900049	1	MOZZO INFERIORE	MOYEU INFERIEUR	LOWER HUB	UNTERENABE	BUJE INFERIOR
14	TR2448	1	GUARNIZIONE	JOINT	GASKET	DICHTUNG	GUARNICIÓN
15	900050	1	GHIERA 2" ¼ GAS	VIROLE	LOCK-NUT	NUT MUTTER	ABRAZADERA
16	905450	1	RACCORDO SCARICO	RACCORD DÉCHARGÉ	PIPE FITTING FOR OUTLET	ABLAUFANSCHLUSS	EMPALME DESAGOTE
17	904380	1	O-RING	O-RING	O-RING	O-RING	O-RING
18	902080	1	GHIERA 1" ¼ GAS	VIROLE	LOCK-NUT	NUT MUTTER	ABRAZADERA
19	907451	1	TUBO DI SCARICO	TUYAU DE DÉCHARGÉ	OUTLET HOSE	ABLAUFSCHLAUCH	TUBO DESAGOTE
20	907338	1	TROPPO PIENO	NIVEAU	OVER FLOW	VEBERLAUF	DAMISIADO LLENO
21	TR0298	1	PORTABULBO	SIEGE DE BULBE	SEATING BULB	KUGEL SITZ	PORTABULBO
22	903250	1	GUARNIZIONE 1/2" GAS	JOINT	GASKET	DICHTUNG	GUARNICIÓN
23	902061	1	GHIERA 1/2" GAS	VIROLE	LOCK NUT	NUT MUTTER	ABRAZADERA
24	903261	1	GUARNIZIONE TRAPPOLA ARIA	JOINT RESERVOIR AIR	AIR TRAP GASKET	DICHTUNG LUFTFALLE	GUARNICIÓN TRAMPA DEL AIRE
25	907926	1	PIASTRINA TRAPPOLA ARIA	PLAQUETTE RESERVOIR AIR	AIR TRAP LINK	GLIED LUFTFALLE	PLANCHA TRAMPA DEL AIRE
26	907254	1	TRAPPOLA ARIA	RESERVOIR AIR	AIR TRAP	LUFTFALLE	TRAMPA DEL AIRE
27	907279	1	TUBO PRESSOSTATO	TUYAU PRESSOSTAT	PRESSURE SWITCH PIPE	SCHLAUCH	TUBO PRESÓSTATO
28	905282	1	PRESSOSTATO	PRESSOSTAT	PRESSURE SWITCH	DRUCHWAECHTE	PRESOSTATO
29	905748	1	RESISTENZA 3000W	RESISTANCE	HEATING ELEMENT	HEIZKÖRPER	RESISTENCIA
30	902430	1	FASCETTA	COLLIER	CLAMP	SCHELLE	ABRAZADERA
31	905410	2	RACCORDO SCARICO	RACCORD DÉCHARGÉ	PIPE FITTING FOR OUTLET	ABLAUFANSCHLUSS	EMPALME DESAGOTE
32	903325	4	GUARNIZIONE	JOINT	GASKET	DICHTUNG	GUARNICIÓN
33	902080	2	GHIERA	VIROLE	LOCK NUT	NUT MUTTER	ABRAZADERA
34	903351	1	GUARNIZIONE	JOINT	GASKET	DICHTUNG	GUARNICIÓN
35	905453	1	RACCORDO A GOMITO	RACCORD	PIPE FITTING	ANSCHLUSS	EMPALME A CODO
36	906710	1	FILTRO ASPIRAZIONE VASCA	FILTRE D'ASPIRATION	INTAKE FILTER	ABLAUF FILTER	FILTRO DE ASPIRACIÓN
37	906703	1	FILTRO VASCA	FILTRE BASSIN	TANK FILTER	FILTER WANNE	FILTRO BATEA
38	906704	1	FILTRO A CASSETTO	TIROIR FILTRE	DRAWER FILTER	FACH-FILTER	FILTRO A CAJÓN
39	906001	1	RONDELLA RIDUZIONE	RONDELLE DE RÉDUCTION	REDUCTION WASHER	VERKLEINERUNG UNTERLEGSCHIEBE	ARANDELA DE REDUCCIÓN



Pos.	COD.	Q.tà	DESCRIZIONE	DENOMINATION	DESCRIPTION	BEZEICHNUNG	DESCRIPCIÓN
1	900929	1	BOILER Ø175	CHAUFFE EAU	BOILER	HEISSWASSERSPEICHER	BOILER
2	902440	7	FASCETTA Ø 13÷20	COLLIER	CLAMP	SHELLE	ABRAZADERA
3	907295	4	TUBO GOMMA 12x19,5	TUYAU EN CAOUTCHOUC	RUBBER HOSE	GUMMISCHLAUCH	TUBO GOMA
4	905580	1	RESISTENZA 10KW + O-RING	RESISTANCE + O-RING	HEATING ELEMENT + O-RING	HEIZKÖRPER + O-RING	RESISTENCIA + O-RING
5	907820	1	VITE	VIS	SCREW	SCHRAUBE	TORNILLO
6	904430	1	O-RING TAPPO BOILER	O-RING BOUCHON	O-RING PLUG	O-RING FRÖPFEN	O-RING TAPÓN
7	902390	1	ELETTRIVALVOLA	SOUPAPE ELECTRIQUE	ELECTRIC VALVE	ELEKTROVENTIL	VALVULA ELETTRICA
8	906365	1	SUPPORTO ELETTRIVALVOLA	PALIER SOUPAPE ELECTRIQUE	BEARING ELECTRIC VALVE	TRÄGE ELEKTROVENTIL	SOPORTO VALVULA ELETTRICA
9	907345	1	TUBO CARICO ACQUA	TUYAN D'ENTRÉE DE L'EAU	INLET PIPE	WASSERZUFÜHRROHR	TUBO
10	908698	1	DOSATORE DETERSIVO	DOSEUR DÉTERSIF	DETERGENT DISPENSER	REINIGENDE ZUFUHR	DOSIFICADOR DE DETERGENTE
11	901998	1	DOSATORE BRILLANTANTE	DOSEUR PRODUIT DE RINÇAGE	RINSE-AID DISPENSER	KLARSPÜLMITTELDOSIERUNG	DOSIFICADOR DE ABRILLANTADO
12	907278	2	TUBO 4X6 CRISTALLO	TUYAU CRISTAL	CRYSTAL PIPE	KRISTALLROHR	TUBO CRISTAL
13	907279	1	TUBO 4 x 7	TUYAU	PIPE	SCHLAUCH	TUBO
14	907274	1	TUBO 4X6 CRYSTAL ROSSO	TUYAU CRISTAL	CRYSTAL PIPE	KRISTALLROHR	TUBO CRISTAL
15	950293	1	SUPPORTO DOSATORE	SUPPORT DOSEUR	PROP. DÉVICE SUPPORT	DOSIEURZUSCHLAG	SOPORTE DOSADOR
16	905408	1	RACCORDO A 3 VIE	RACCORD	PIPE FITTING	ANSCHLUSSE	EMPALME
17	TR2433	1	VALVOLA ANTIRIFLUSSO	VALVE	VALVE	VENTIL	VALVULA
18	902235	1	POMPA RISCIAQUO	POMPE DE RINÇAGE	RINSE PUMP	SPÜLEN-PUMPE	BOMBA DE ENJUAGUE
19	TR3572	1	SUPPORTO POMPA RISCIAQUO	SUPPORT POMPE DE RINÇAGE	RINSE PUMP SUPPORT	SPÜLEN-PUMPE UNTERSTÜTZUNG	SOPORTO BOMBA DE ENJUAGUE
20	902460	4	FASCETTA Ø 26÷38	COLLIER	CLAMP	SHELLE	ABRAZADERA
21	908922	1	MANICOTTO POMPA RISCIAQUO	MANCHON POMPE DE RINÇAGE	RINSE PUMP MUFF	MUFFE SPÜLEN-PUMPE	PALANCA BOMBA DE ENJUAGUE
22	903713	1	MANICOTTO ASPIRAZIONE	MANCHON D'ASPIRATION	INLET MUFF	ANSAUGMUFFE	PALANCA DE ASPIRACIÓN
23	901652	1	PIPETTA PRESSIONE	PIPETTE PRESSION	PRESSION PIPETTE	DRUCK-PIPETTE	PIPETA DE LA PRESIÓN

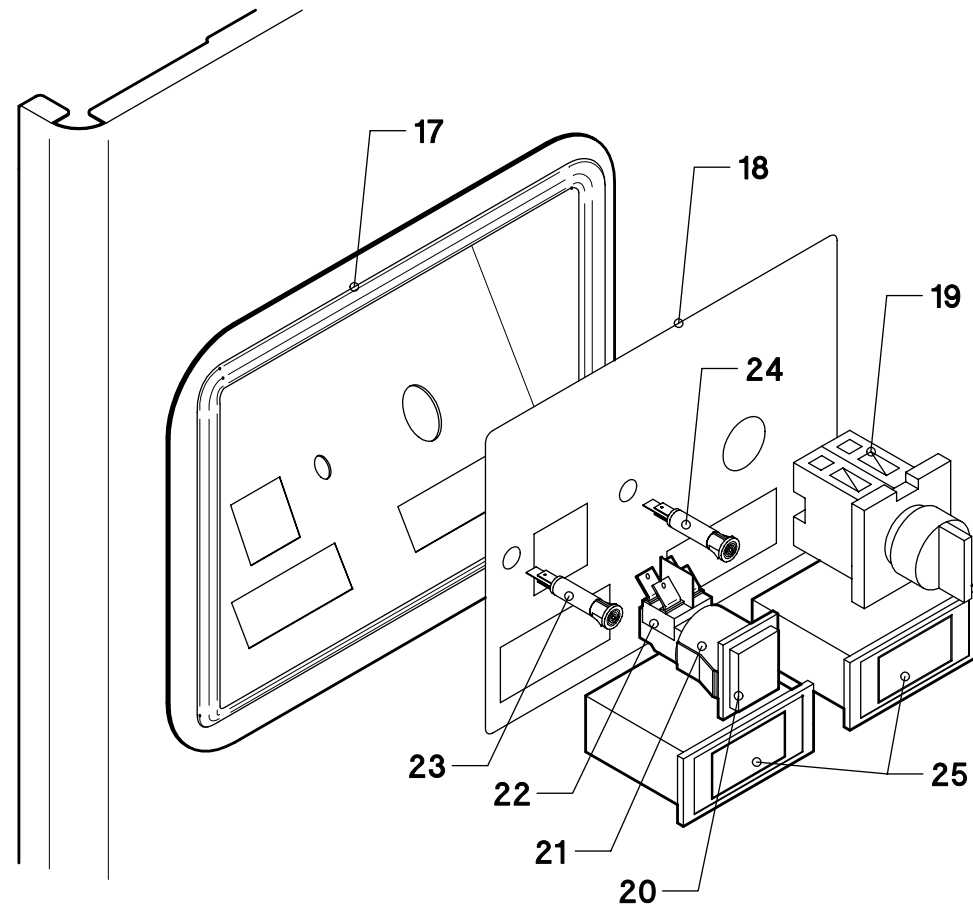
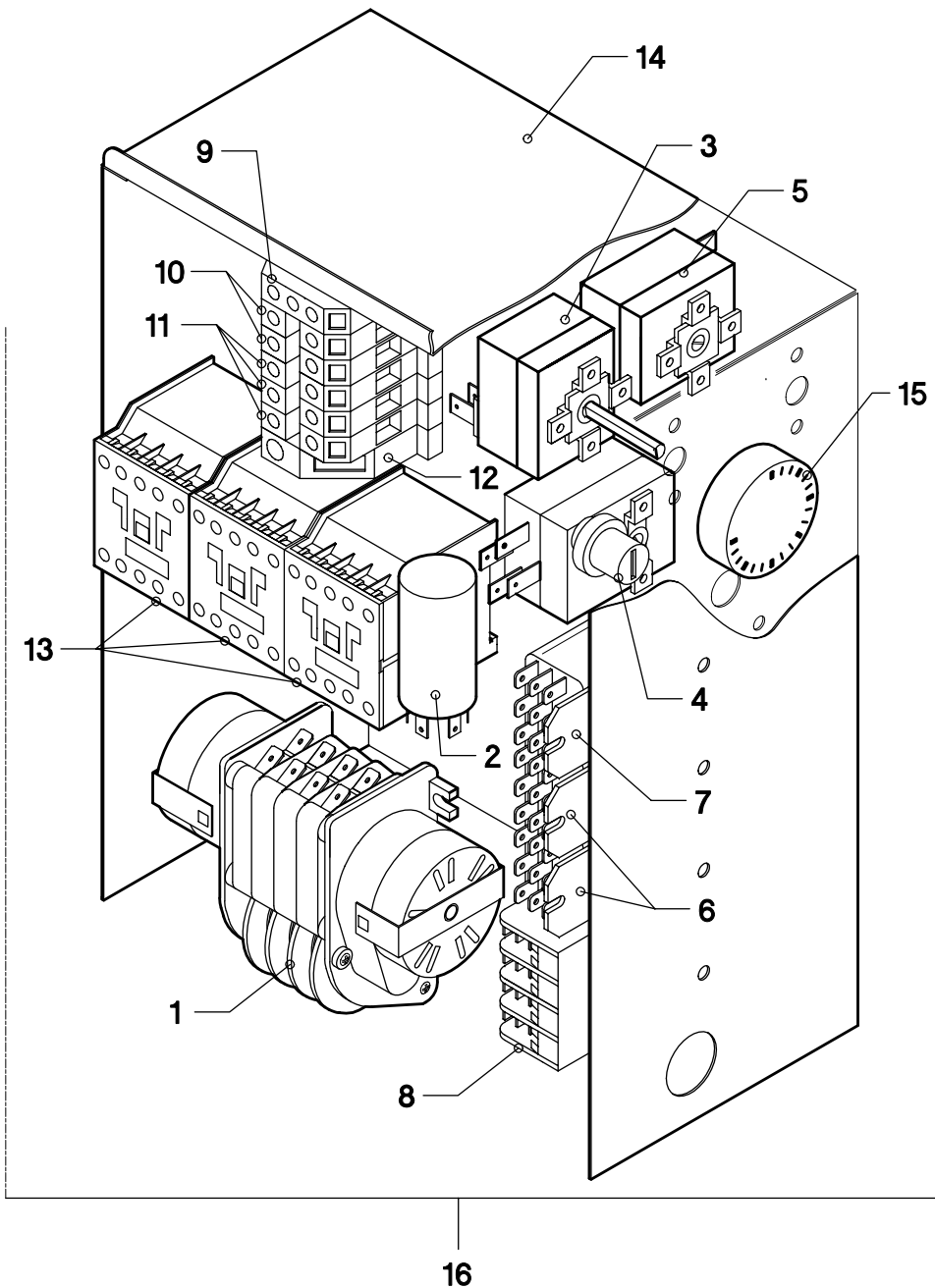
TAV. 4

ED. 08/2006



LP 57

Pos.	COD.	Q.tà	DESCRIZIONE	DENOMINATION	DESCRIPTION	BEZEICHNUNG	DESCRIPCIÓN
1	908748	1	COLONNA LAVAGGIO PPH	COLONNE DE LAVAGE	WASHING PIPE	SPÜLÜNG SAÜLE	COLUMNA LAVADO
2	903756	2	TUBO GIUNZIONE	TUYAU	PIPE	SCHLAUCH	TUBO
3	902441	2	FASCETTA Ø 38-50	COLLIER	CLAMP	SHELLE	ABRAZADERA
4	900049	1	MOZZO INFERIORE	MOYEU INFERIEUR	LOWER HUB	UNTERENABE	BUJE INFERIOR
5	903351	1	GUARNIZIONE	JOINT	GASKET	DICHTUNG	GUARNICIÓN
6	905453	1	RACCORDO A GOMITO	RACCORD	PIPE FITTING	ANSCHLUSS	EMPALME A CODO
7	TR2448	1	GUARNIZIONE	JOINT	GASKET	DICHTUNG	GUARNICIÓN
8	902890	2	GHIERA BLOCCAGGIO	FRETTE DE BLOCAGE	RING-NUT	KLEMMUTTER	ABRAZADERA BLOQUEO
9	902960	2	GIRANTE LAVAGGIO	BRAS DE LAVAGE	WASH ARM	SPÜLLARM	RODETE LAVADO
10	902891	2	MOZZO GIRANTE LAVAGGIO	MOYEU	HUB	NABE	BUJE RODETE LAVADO
11	908727	1	PERNO RISCISCQUO SUPERIORE	TOURILLON DE RINÇAGE SUPER.	UPPER RINSE PIN	OBERER SPÜLLSTIFT	PERNO ENJUAGUE SUPERIOR
12	904760	2	PERNO RISCICQUO	TOURILLON DE RINÇAGE	RINSE PIN	SPÜLLSTIFT	PERNO ENJUAGUE
13	902880	2	GHIERA BLOCCAGGIO	FRETTE DE BLOCAGE	RING-NUT	KLEMMUTTER	ABRAZADERA BLOQUEO
14	904292	2	MOZZO GIRANTE RISCISCQUO	MOYEU	HUB	NABE	BUJE RODETE ENJUAGUE
15	907651	4	VITE TPS M 4x8	VIS	SCREW	SCHRAUBE	TORNILLO
16	954806	2	BRACCIO RISCICQUO DX	BRAS DE RINÇAGE DROITE	RIGHT RINSE ARM	RECHTE SPÜLLAUFRAD	BRAZO ENJUAGUE DERECHO
17	954807	2	BRACCIO RISCICQUO SX	BRAS DE RINÇAGE GAUCHE	LEFT RINSE ARM	LINKE SPÜLLAUFRAD	BRAZO ENJUAGUE IZQUIERDO
18	904321	4	O-RING	O-RING	O-RING	O-RING	O-RING
19	906450	4	TAPPO PER BRACCIO RISCICQUO	BOUCHON BRAS DE RINÇAGE	PLUG FOR RINSE ARM	VERSCHLUSS SPÜLLAUF	TAPÓN PARA BRAZO ENJUAGUE
20	904388	12	O-RING	O-RING	O-RING	O-RING	O-RING
21	902816	12	GETTO RISCICQUO	JET DE RINÇAGE	RINSING JET	SPÜLLDUSE	CHORRO ENJUAGUE
22	903017	2	GIRANTE RISCICQUO COMP.	BRAS DE RINÇAGE COMPL.	COMPL. RINSE ARM	SPÜLLSTIFT KOMPL.	RODETE ENJUAGUE COMP.
23	902961	2	GIRANTE LAVAGGIO COMP.	BRAS DE LAVAGE COMPL.	COMPL. WASH ARM	SPÜLLARM KOMPL.	RODETE LAVADO COMPL.
24	904753	1	PERNO RISCICQUO INFERIORE	TOURILLON DE RINÇAGE INFER.	INFERIOR RINSE PIN	UNTERSPÜLLSTIFT	PERNO ENJUAGUE INFERIOR
25	900050	1	GHIERA 2" ¼ GAS	VIROLE	LOCK-NUT	NUT MUTTER	ABRAZADERA
26	902440	4	FASCETTA Ø 13-20	COLLIER	CLAMP	SHELLE	ABRAZADERA
27	905382	1	RACCORDO A "T"	RACCORD	PIPE FITTING	ANSCHLUSS	ENLACE
28	907295	3	TUBO GOMMA 12 x 19,5	TUYAU EN CAOUTCHOUC	RUBBER HOSE	GUMMISCHLAUCH	TUBO GOMA



Pos.	COD.	Q.tà	DESCRIZIONE	DENOMINATION	DESCRIPTION	BEZEICHNUNG	DESCRIPCIÓN
1	907183	1	TIMER	TIMER	TIMER	TIMER	TIMER
2	902107	1	FILTRI ANTIDISTURBO	FILTRE ANTIDERANGEMENT	NOISE FILTER	ENTSTORFILTER	FILTROS DE RUIDOSIDAD
3	907110	1	TERMOSTATO 0°-90°	THERMOSTAT	THERMOSTAT	THERMOSTAT	TERMÓSTATO
4	907125	1	TERMOSTATO DI SICUREZZA	THERMOSTAT	THERMOSTAT	THERMOSTAT	TERMÓSTATO DE SEGURIDAD
5	907120	1	TERMOSTATO 55°	THERMOSTAT	THERMOSTAT	THERMOSTAT	TERMÓSTATO
6	905476	2	RELÉ	RELAIS	RELAY	RELAIS	RELÉ
7	905475	1	RELÉ	RELAIS	RELAY	RELAIS	RELÉ
8	955068	4	MORSETTO PA80	BORNE	TERMINAL	KLEMMLEISTE	GRAMPA
9	904163	1	MORSETTO TERRA	BORNE	TERMINAL	KLEMMLEISTE	GRAMPA TIERRA
10	TR3178	2	MORSETTO 3P	BORNE	TERMINAL	KLEMMLEISTE	GRAMPA
11	904166	3	MORSETTO 1P	BORNE	TERMINAL	KLEMMLEISTE	GRAMPA
12	904175	1	FERMA MORSETTO	ARRÊTÉE BORNE	TERMINAL BLOCK	KLEMMENBLOCK	BLOQUE GRAMPA
13	907095	3	TELERRUTTORE 9A	TELERUPTEUR	CONTACTOR	SCHUTZ	TELERRUPTOR
14	908752	1	CASSETTA ELETTRICA	BOITE ELECTRIQUE	CABINET	SCHALTKASTEN	CAJA ELÉCTRICA
15	903982	1	MANOPOLA	BOUTON	KNOB	KNOPF	EMPUÑADURA
16	902367	1	QUADRO ELETTRICO	TABLEAU ELECTRIQUE	SWITCHBOARD	SCHALTTAFEL	TABLERO ELÉCTRICO
17	955646	1	RETROTARGA	PLAQUETTE	PLATE	SCHILD	PLACA
18	907064	1	TARGA	PLAQUETTE	PLATE	SCHILD	PLACA
19	906210	1	INTERRUTTORE 0 - 1 - 2	INTERRUPTEUR	SWITCH	DRUCKKNOPF	INTERRUPTOR
20	905308	1	PULSANTE QUADRO GIALLO	BOUTON JAUNE	YELLOW PUSH-BUTTON	GELBE DRUCKTASTE	BOTÓN AMARILLO
21	905309	1	SUPPORTO TASTO	SUPPORT BOUTON	SUPPORT KEY	TASTEHALTER	SOPORTE TECLA
22	905318	1	INTERRUTTORE ON/OFF	INTERRUPTEUR	SWITCH	DRUCKKNOPF	INTERRUPTOR
23	903643	1	LAMPADA SPIA VERDE	LAMPE	LAMP	KONTROLLAMPE	LÁMPARA
24	903642	1	LAMPADA SPIA ARANCIO	LAMPE	LAMP	KONTROLLAMPE	LÁMPARA
25	907090	2	TERMOMETRO	THERMOMETRE	THERMOMETER	THERMOMETER	TERMÓMETRO