

6.0 kW	6.0 kW
6.0 kW	6.0 kW

M74FP  
M74FPFE  
M74FPFG  
M74FPFXE  
M74FPFXG

6.0 kW	6.0 kW	6.0 kW
6.0 kW	6.0 kW	6.0 kW

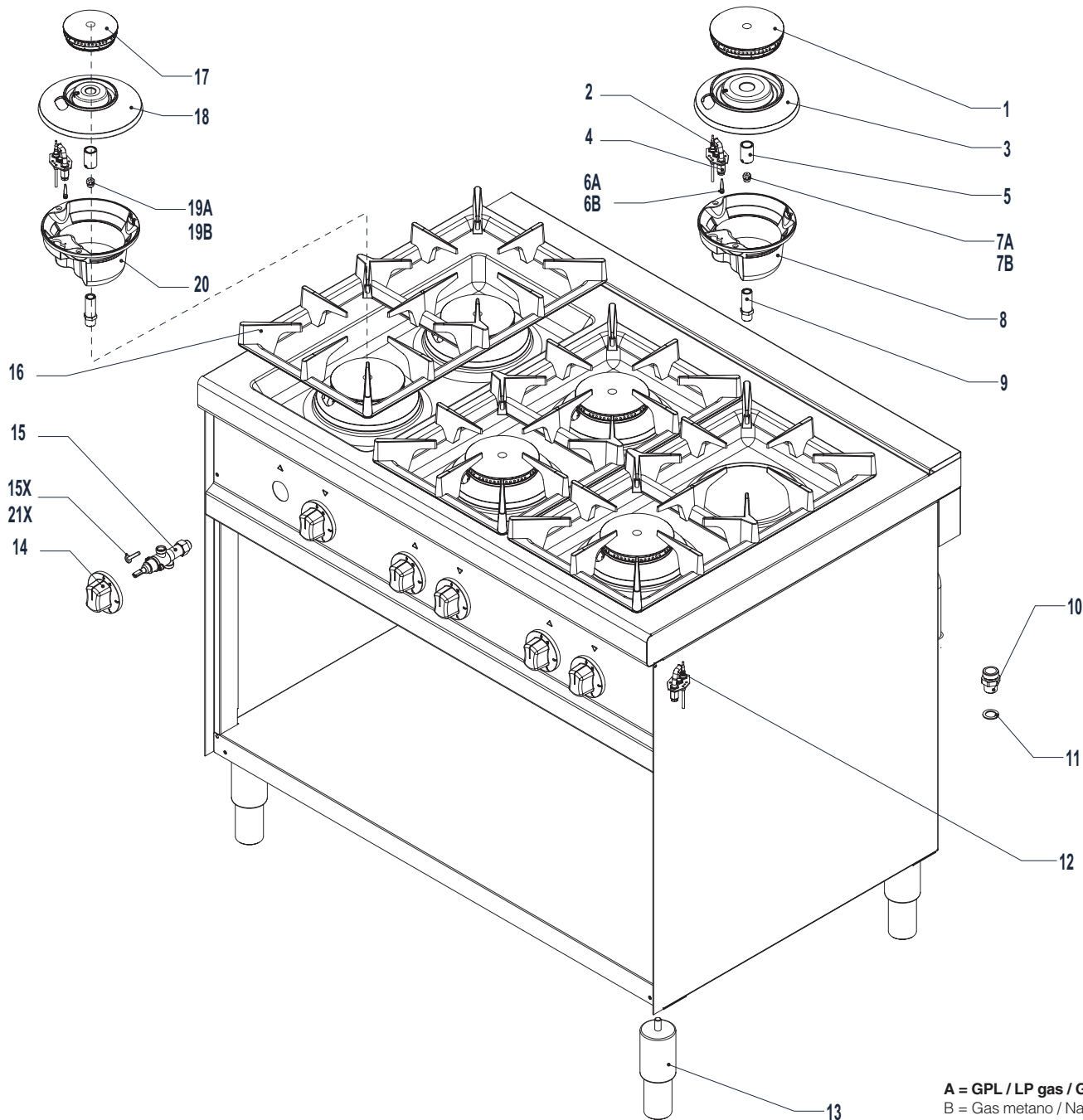
M76FP  
M76FPFE  
M76FPFG  
M76FPFXE  
M76FPFXG

6.0 kW	4.0 kW
4.0 kW	6.0 kW

M74FMP  
M74FMPFE  
M74FMPFG  
M74FMPFXE  
M74FMPFXG

4.0 kW	6.0 kW	4.0 kW
6.0 kW	4.0 kW	6.0 kW

M76FMP  
M76FMPFE  
M76FMPFG  
M76FMPFXE  
M76FMPFXG



A = GPL / LP gas / Gaz liquide / Flüssiggas (2H)  
B = Gas metano / Natural gas / Gaz naturel / Erdgas (3+)



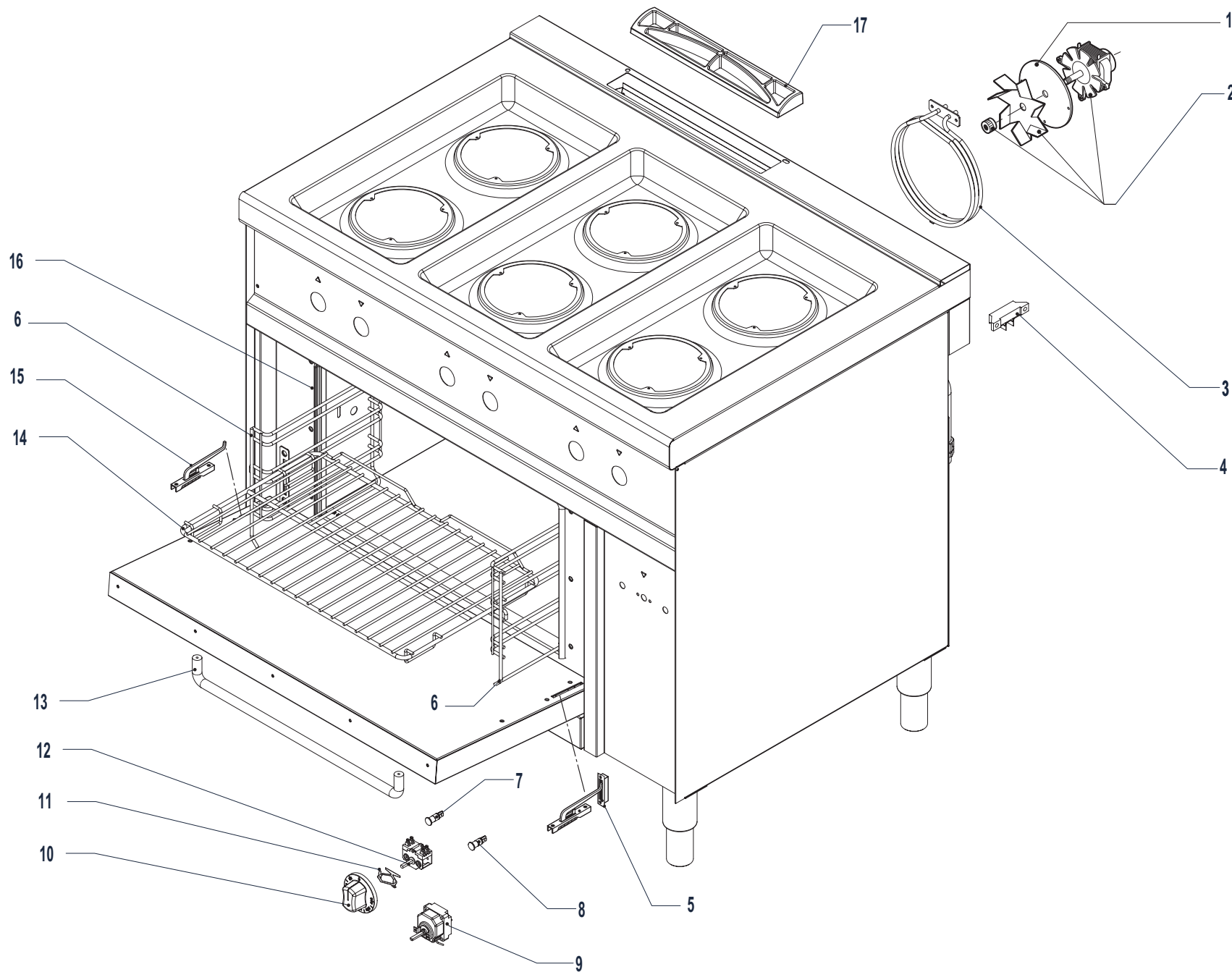
N.B.: La tavola si completa con la successiva n° - See table No. - Voir tableau n° - Wichtig: S. folgender Plan Nr.

• 3E024-003	• 3E024-006	• 3E024-005	• 3E024-004
M74FPFXE - M74FMPFXE M76FPFXE - M76FMPFXE	M74FPFG - M74FMPFG M76FPFG - M76FMPFG	M74FPFE - M74FMPFE M76FPFE - M76FMPFE	M74FPFXG - M74FMPFXG M76FPFXG - M76FMPFXG

**3E24-002**

M74FP - M74FMP - M76FP - M76FMP M74FPFE - M74FMPFE - M76FPFE - M76FMPFE M74FPFG - M74FMPFG - M76FPFG - M76FMPFG M74FPFXE - M74FMPFXE - M76FPFXE - M76FMPFXE
--

Pezzi/Pieces Pieces/Anzahl				Pos.	Validità dalla matricola Validity from serial number Validité du numéro matricule Gültigkeit ab der (Seriennummer)	Validità alla matricola Validity up to serial number Validité au numéro matricule Gültigkeit bis zur (Seriennummer)	Codice Code Artikel Nummer	Descrizione	Description	Description	Beschreibung
M74FPP M74FPFE M74FPFG M74FPFXE M74FPFXG	M74FMP M74FMPE M74FMPEG M74FMPEXE M74FMPEXG	M76FPP M76FPFE M76FPFG M76FPFXE M76FPFXG	M76FMP M76FMPFE M76FMPFG M76FMPFXE M76FMPFXG								
4	2	6	3	1			V00400	Spartifiamma 7,8 kW	Flame spreader 7,8 kW	Diffuseur de flamme 7,8 kW	Flammenverteiler 7,8 kW
2	2	3	3	2			X13300	Termocoppia fuoco posteriore	Rear ring thermocouple	Thermocouple feu poster.	Thermoel. Hintere kochst.
4	2	6	3	3			V00200	Corpo bruciatore 7,8 kW	Burner body 7,8 kW	Corps bruleur 7,8 kW	Brennerkörper 7,8 kW
4	4	6	6	4			X14400	Pilota	Pilot	Veilleuse d'allumage	Zündflammenbrenner
4	4	6	6	5			0600V01500	Regolazione aria bruciatore	Burner air regulation	Réglage air bruler	Luftregelung Brenner
4	4	6	6	6A			X30000	Iniettore pilota GPL	LPG pilot injector	Injecteur pilote GPL	Pilotdüse GPL
4	4	6	6	6B			X30300	Iniettore pilota metano	Natural gas pilot injector	Injecteur pilote methane	Pilotdüse methan
4	2	6	3	7A			X34200	Iniettore GPL	LPG injector	Injecteur GPL	Gasdüse GPL
4	2	6	3	7B			X35400	Iniettore metano	Natural gas injector	Injecteur methane	Gasdüse methan
4	2	6	3	8			V01900	Coppa bruciatore 6,0 kW	Scoop burner 6,0 kW	Godet bruleur 6,0 kW	Brennerschale 6,0 kW
4	4	6	6	9			0600V01100	Porta iniettore	Injector-holder	Porte-injecteur	Düsenträger
1	1	1	1	10			ATG002ZR10	Raccordo	Fitting	Raccord	Anschluss
1	1	1	1	11			AVA020ZR10	Guarnizione	Seal	Joint	Dichtung
2	2	3	3	12			X14200	Termocoppia fuoco anteriore	Front ring thermocouple	Thermocouple feu anter.	Thermoel. Vordere kochst
4	4	4	4	13			AVA010ZR10	Piedino	Foot	Pied	Fuss
4	4	6	6	14			DFP032A80A	Manopola	Knob	Cle de commande	Drehknopf
4	4	6	6	15			X08100	Rubinetto gas	Gas cock	Robinet gaz	Gashan
4	2	6	3	15X			X04800	By Pass 0,75	By Pass 0,75	By Pass 0,75	By Pass 0,75
2	2	3	3	16			DFG001ZV10	Griglia	Grid	Grille	Rost
	2		3	17			V00300	Spartifiamma 4,0 kW	Flame spreader 4,0 kW	Diffuseur de flamme 4,0 kW	Flammenverteiler 4,0 kW
	2		3	18			V00100	Corpo bruciatore 4,0 kW	Burner body 4,0 kW	Corps bruleur 4,0 kW	Brennerkörper 4,0 kW
	2		3	19A			X33700	Iniettore GPL	LPG injector	Injecteur GPL	Gasdüse GPL
	2		3	19B			X34600	Iniettore metano	Natural gas injector	Injecteur methane	Gasdüse methan
	2		3	20			V01800	Coppa bruciatore 4,0 kW	Scoop burner 4,0 kW	Godet bruleur 4,0 kW	Brennerschale 4,0 kW
	2		3	21X			X11000	By Pass 0,45	By Pass 0,45	By Pass 0,45	By Pass 0,45



N.B.: La tavola si completa con la successiva n° - See table No. - Voir tableau n° - Wichtig: S. folgender Plan Nr.

• 3E24-002	• 3E24-008	• 3E24-007	• 3E24-001
M74FPFXE - M74FMPFXE	M74VFXE	M74PFXE - M74PQFXE	M74FFXE
M76FPFXE - M76FMPFXE		M76PFXE	M76FFXE

**3E24-003**

M74FPFXE - M74FMPFXE  
 M76FPFXE - M76FMPFXE  
 M74FFXE - M76FFXE  
 M74PFXE - M74PQFXE - M76PFXE  
 M74VFXE

Pezzi/Pieces Pieces/Anzahl	Pos.	Validità dalla matricola Validity from serial number Validité du numéro matricule Gültigkeit ab der (Seriennummer)	Validità alla matricola Validity up to serial number Validité au numéro matricule Gültigkeit bis zur (Seriennummer)	Codice Code Artikel Nummer	Descrizione	Description	Description	Beschreibung
M74FPFXE - M74FMPFXE M76FPFXE - M76FMPFXE M74FFXE* - M76FFXE* M74PFXE - M74PQFXE M76PFXE - M74VFXE*								
1	1			V05400	Isolamento	Insulation	Isolation	Isolierung
1	2			V03000	Motoventilatore	Electric fan	Moto-ventilateur	Motorventilator
1	3			X68002	Restenza 2500 W	Heating element 2500 W	Résistance 2500 W	Heizwiderstand 2500 W
1	4			X59200	Morsettiera	Terminal board	Barrette de raccordement	Klemmleiste
1	5			X66000	Cerniera dx	R.H. Hinge	Charniere droite	Scharnier rechts
2	6			DVA019ZR10	Reggigriglia dx-sx	L.H.-R.H. Grid support	Appui grille droite/gauche	Rostauflageschiene R.-L.
1	7			X50900	Lampada verde	Green light	Lampe vert	Grüne Kontrollampe
1	8			X41200	Lampada gialla	Yellow light	Lampe jaune	Gelbe Kontrollampe
1	9			X68205	Termostato	Thermostat	Thermostat	Thermostat
1	10			DFP042A60A	Manopola temperatura	Temperature knob	Cle de commande temper	Drehknopf temp.
1	11			X59400	Staffa per collegamento	Connecting bracket	Collier de raccordement	Anschlussbügel
1	12			Y16200	Commutatore	Selector switch	Commutateur	Umschalter
1	13		old	AVA011ZR10	Maniglia porta forno	Oven door handle	Poignée port four	Türgriff ofen
1	14			G11PF	Griglia	Grid	Grille	Rost
1	15			X66100	Cerniera sx	L.H. Hinge	Charniere gauche	Scharnier links
1	16			0000X05600	Guarnizione porta	Door seal	Joint porte	Türdichtung
1/0*	17			1550Y63500	Griglietta scarico fumi	Smoke discharge grid	Grille évacuation des fumées	Rauchblassgitter
1	13	new		AVA037ZR10	Maniglia porta forno	Oven door handle	Poignée port four	Türgriff ofen