

# DISHWASHER

ELECTROMECHANICAL SWITCHES  
LOWER AND UPPER WASHING

TYPE: 7U

Accessories

BREAK TANK

BOOSTER PUMP

DVGW

COLD RINSE

WATER SOFTNER

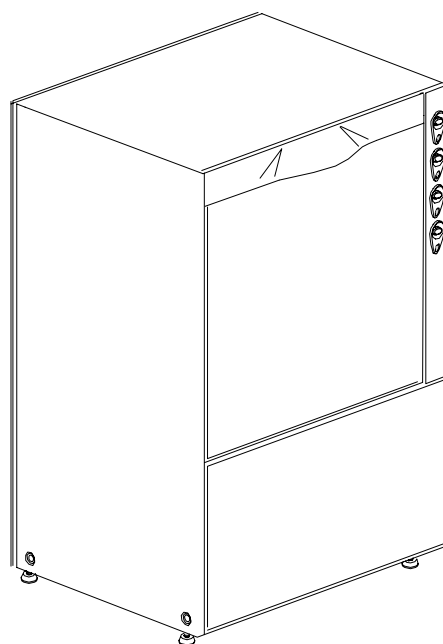
DETERGENT DISPENSER

DRAIN PUMP

---

## Spare parts manual

---





## 1. Spare parts

General body parts.....	7
Lockup system .....	9
Control panel .....	11
Control electric components.....	13
Solenoid valve group .....	15
Solenoid valve group .....	17
Solenoid valve group .....	19
Break Tank .....	21
Booster pump.....	23
DVGW .....	25
Water softner group.....	27
Shining product dosing device group .	29
Boiler group .....	31
Derivation group .....	33
Derivation group .....	35
Wash pump .....	37

---

<b>Dosing device group .....</b>	<b>39</b>
<b>Drain pump group.....</b>	<b>41</b>
<b>Pressure switch group with air trap ...</b>	<b>43</b>
<b>Turret group with rotating arms .....</b>	<b>45</b>

## 1.1 Voltage codes

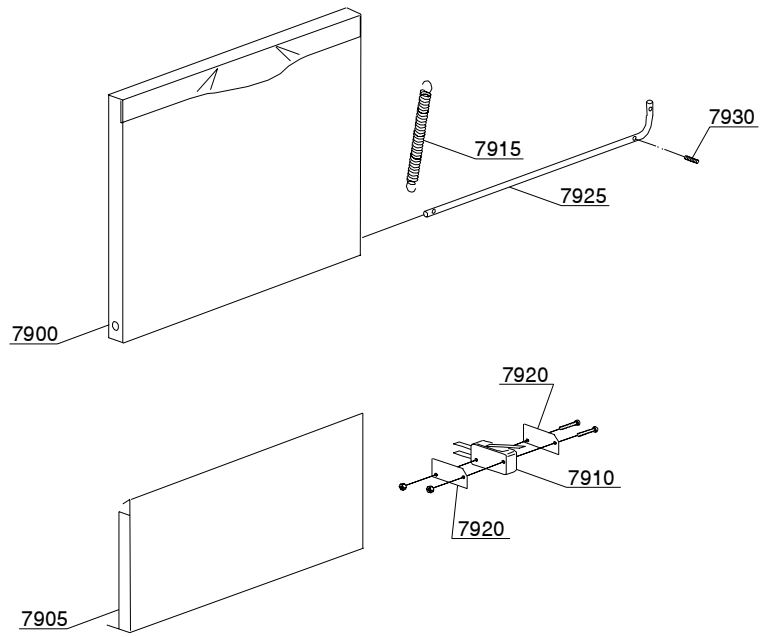
Voltage code	Voltage
A	3/N/PE~400/230V 50Hz
B	~250V 16A 50Hz
C	3/N/PE~380/220V 50Hz
D	3/PE~200V 50-60Hz
F	2/PE 220-240V 50Hz
G	3/N/PE~415/240V 50Hz
H	3/PE~230V 50Hz
I	3/PE~220V 60Hz
J	3/PE~380 50Hz
K	3/PE~400V 50Hz
L	3/PE~415V 50Hz
M	3/PE~440V 60Hz
N	3/PE~460V 60Hz
O	3/PE~480V 60Hz
P	1/N/PE~220-240V 50Hz
R	2/PE~220-230V 60Hz
S	3/N/PE~400/230V 50Hz
T	3/PE~230V 60Hz

## 1.2 Product codes

Product code	Full name
Model codes	
em	ELECTROMECHANICAL SWITCHES
ls	LOWER AND UPPER WASHING
Type codes	
7U	7U
Accessory codes	
bt	BREAK TANK
pap	BOOSTER PUMP
dvgw	DVGW
fs	COLD RINSE
d	WATER SOFTNER
dde	DETERGENT DISPENSER
ps	DRAIN PUMP





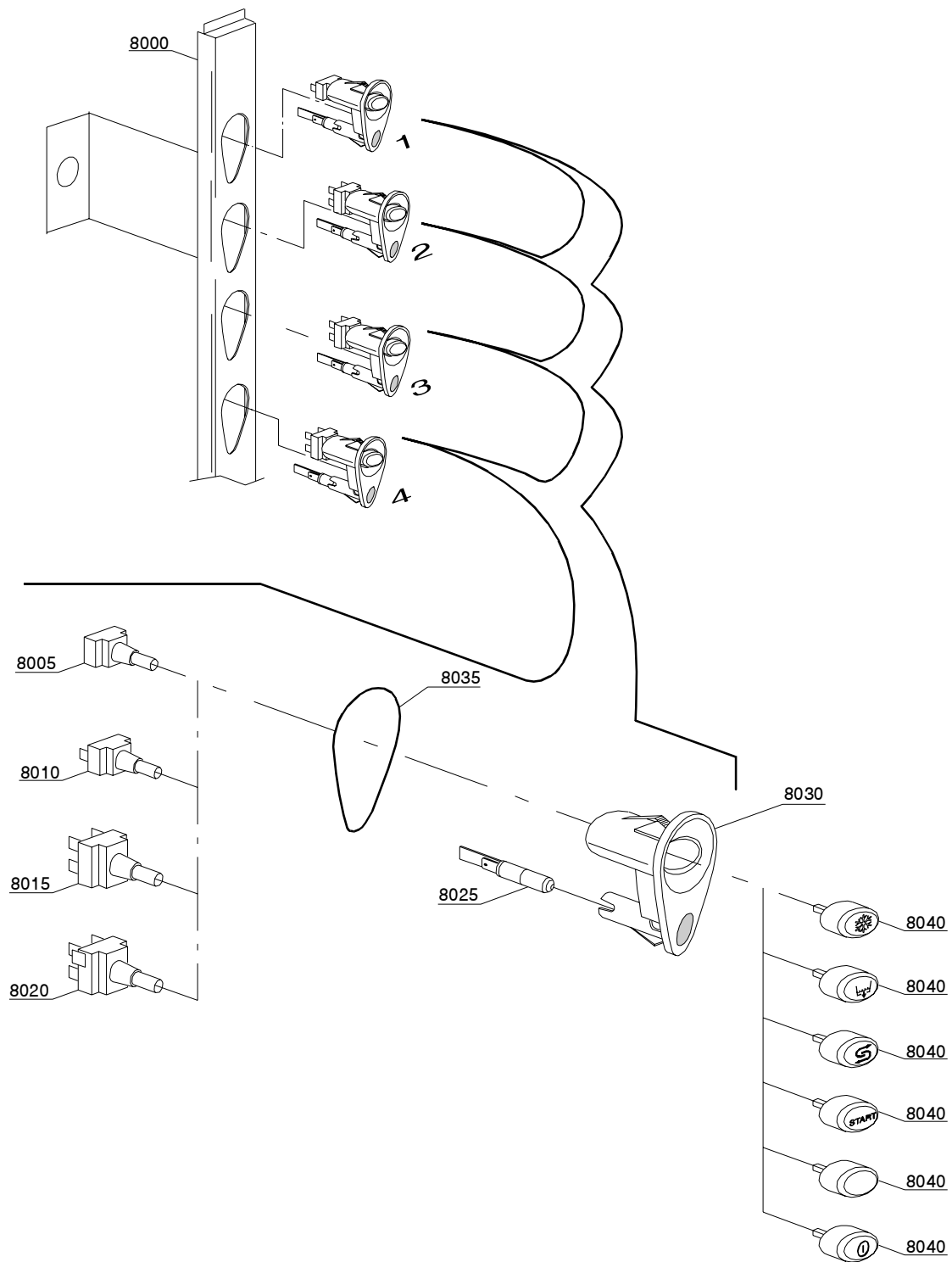


02\_107\_e



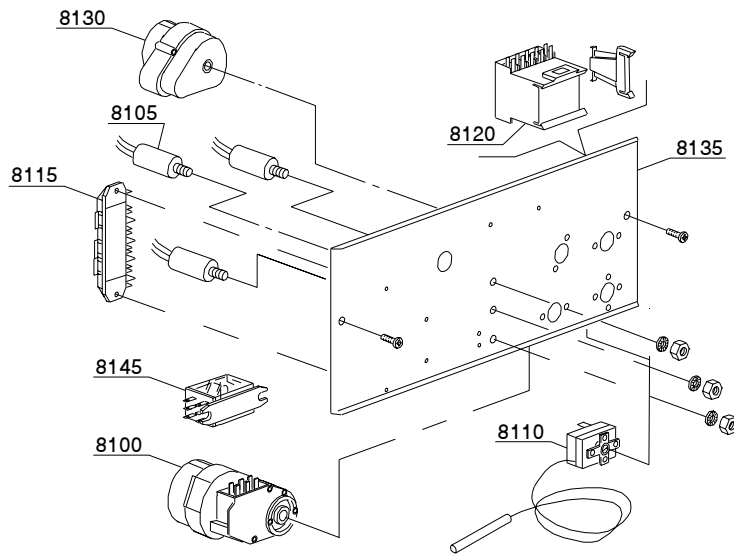
## Spare parts

ID	P-code	Model	Type	Accessory	Voltage	Description
MODULE:Lockup system						
7900	26964		7U			Door with steel handle
7905	26025		7U			Lower door
7910	10704		7U			Door microswitch
7915	10700/A		7U			Door spring
7920	10770		7U			Insulating for door microswitch
7925	26009		7U			Door rod
7930	11501		7U			M5x20 grub-screw



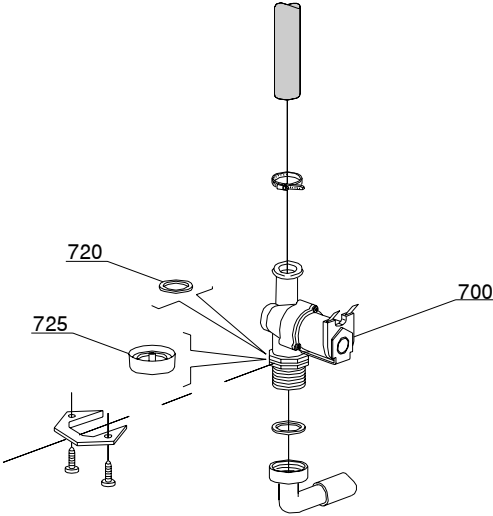
03\_015\_e





04\_009\_e



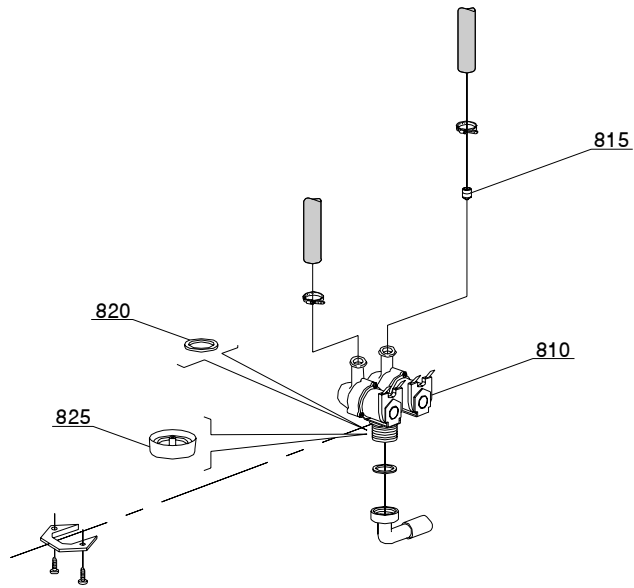


05\_002\_e

**Spare parts**

---

ID	P-code	Model	Type	Accessory	Voltage	Description
MODULE:Solenoid valve group						
700	10703		7U			Single solenoid valve
720	N.C.		7U			Pression reducing valve



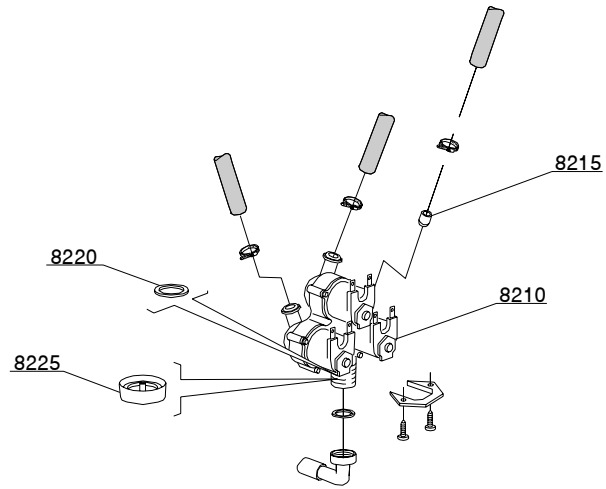
05\_003\_e



## Spare parts

---

ID	P-code	Model	Type	Accessory	Voltage	Description
MODULE:Solenoid valve group						
810	15098		7U	cr,ws		Double solenoid valve - Ø10
820	N.C.		7U	cr,ws		Pression reducing valve



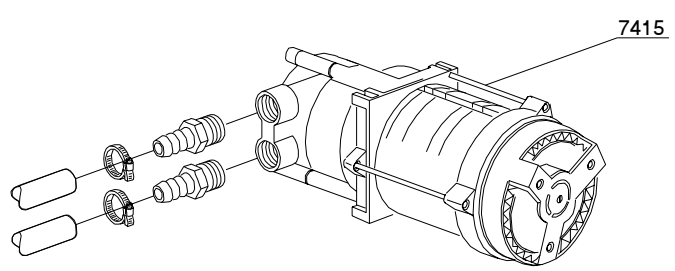
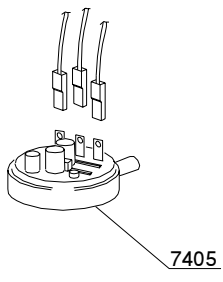
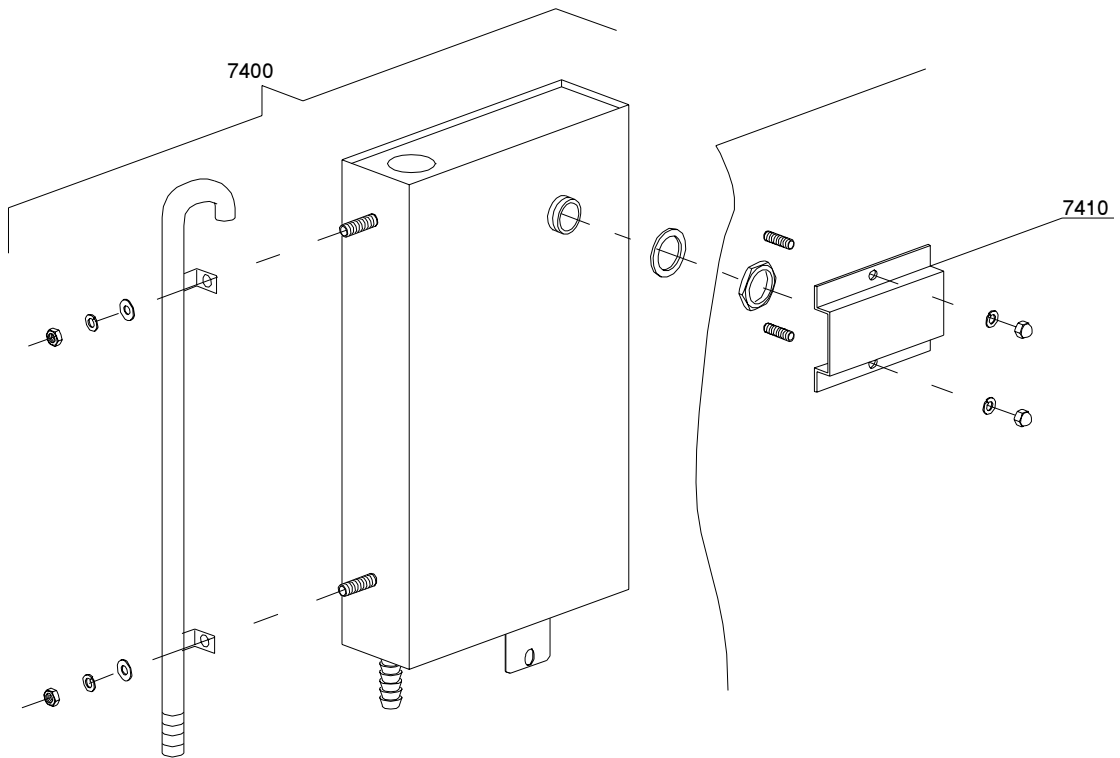
05\_004\_e

## Spare parts

---

ID	P-code	Model	Type	Accessory	Voltage	Description
MODULE:Solenoid valve group						
8210	15099		7U	cr,ws		Triple solenoid valve
8215	15115		7U	cr,ws		Green pression solenoid valve
8220	N.C.		7U	cr,ws		Pression reducing valve

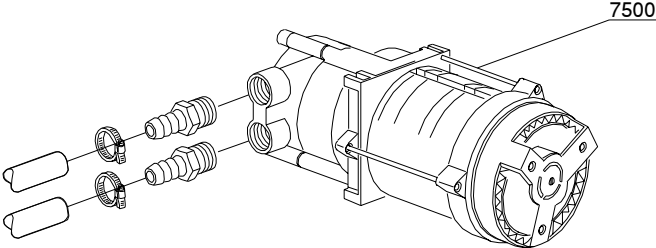
06\_002\_e



## Spare parts

---

ID	P-code	Model	Type	Accessory	Voltage	Description
MODULE:Break Tank						
7400	15735		7U	bt		Break tank assembly
7405	10706/A		7U	bt		47-27 pressure switch
7410	15738		7U	bt		Hole protection
7415	15100/D		7U	bt		Booster pump

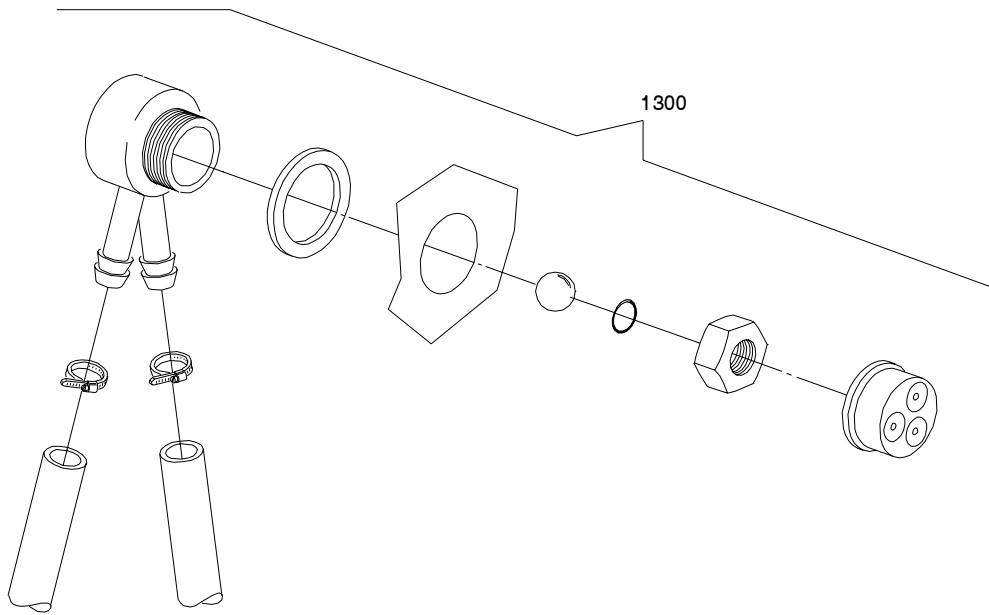


07\_003\_e

**Spare parts**

---

ID	P-code	Model	Type	Accessory	Voltage	Description
MODULE:Booster pump						
7500	15100/D		7U	bp		Booster pump



08\_005\_e

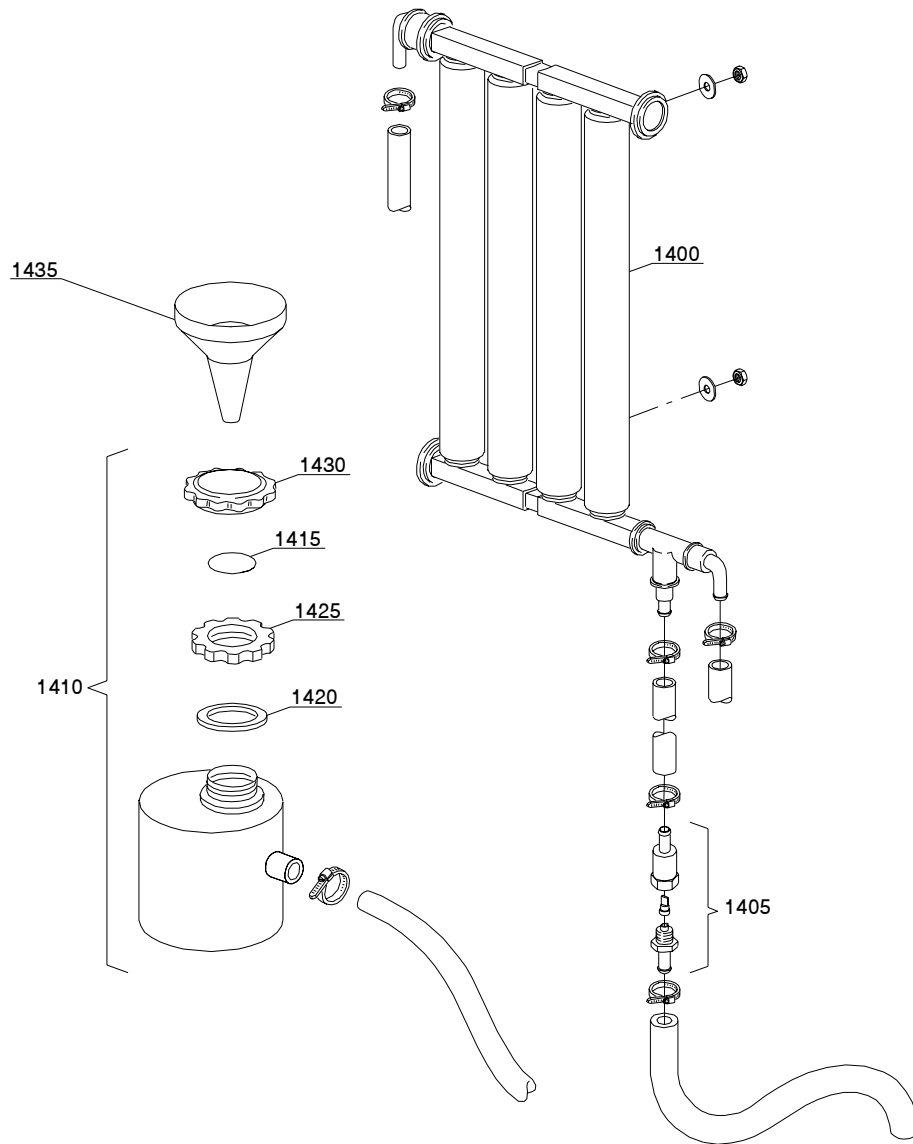


**Spare parts**

---

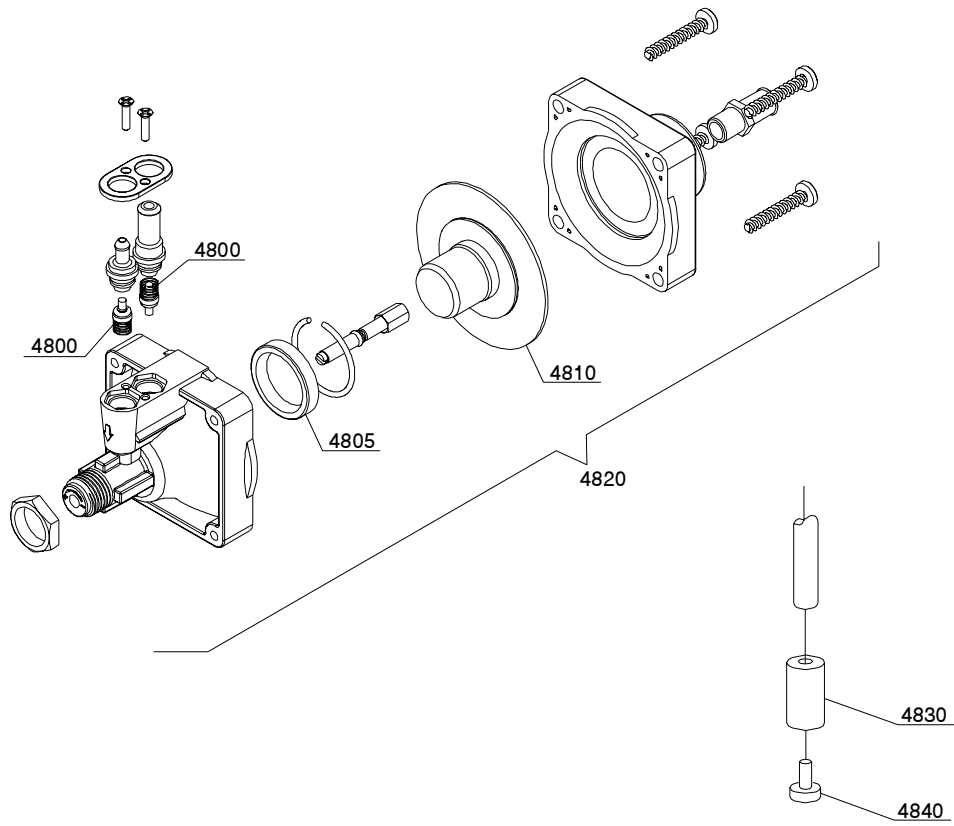
ID	P-code	Model	Type	Accessory	Voltage	Description
MODULE:DVGW						
1300	999900006		7U	dvgw		DVGW assembly

09\_001\_e



## Spare parts

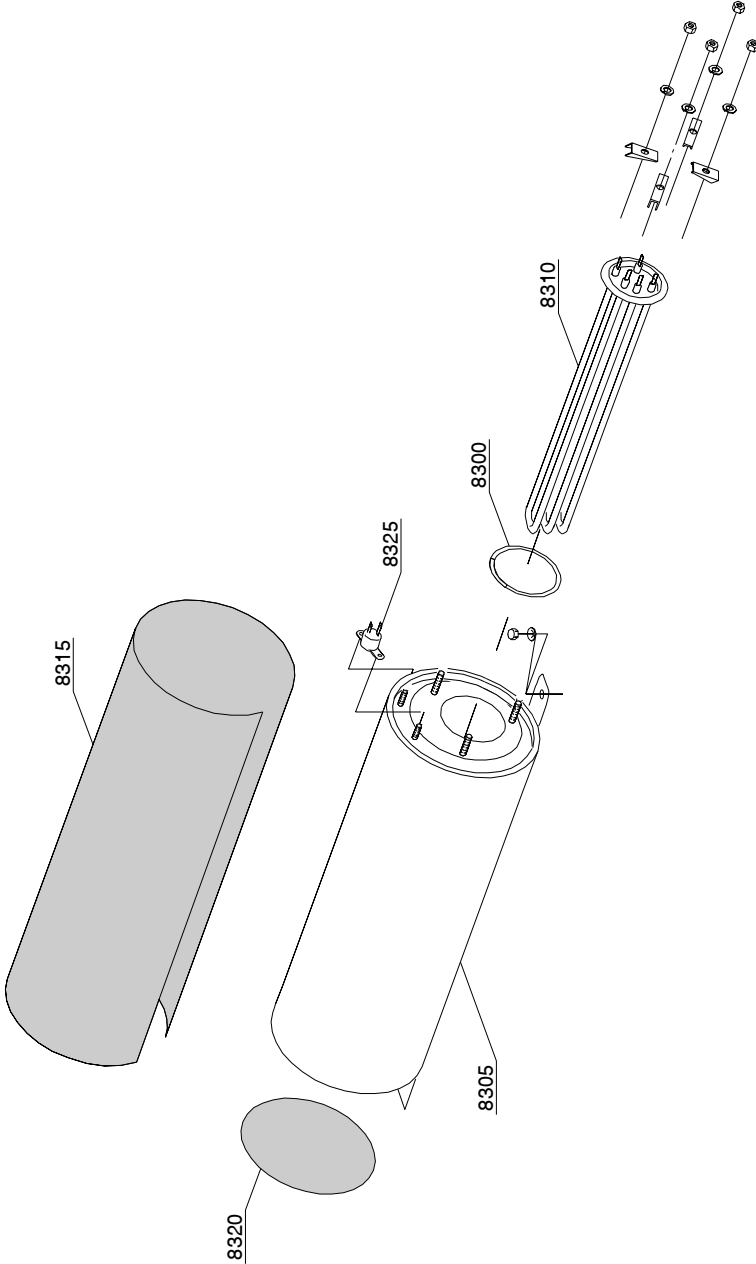
ID	P-code	Model	Type	Accessory	Voltage	Description
MODULE:Water softner group						
1400	16066		7U	ws		4 elements water softner
1405	16070		7U	ws		Nonreturn valve
1410	16065		7U	ws		Salt container
1415	16067/A		7U	ws		OR gasket
1420	16067/B		7U	ws		Gasket
1425	16067/C		7U	ws		Ring nut
1430	16067/D		7U	ws		Plug
1435	16082		7U	ws		Funnel



10\_004\_e

## Spare parts

ID	P-code	Model	Type	Accessory	Voltage	Description
MODULE:Shining product dosing device group						
4800	10805		7U			Tecnopro dosing valve
4805	10806		7U			Ø22 gasket
4810	10807		7U			Membrane
4820	10799		7U			Shining product dosing device
4830	12525		7U			Counter-weight
4840	15058		7U			Small filter

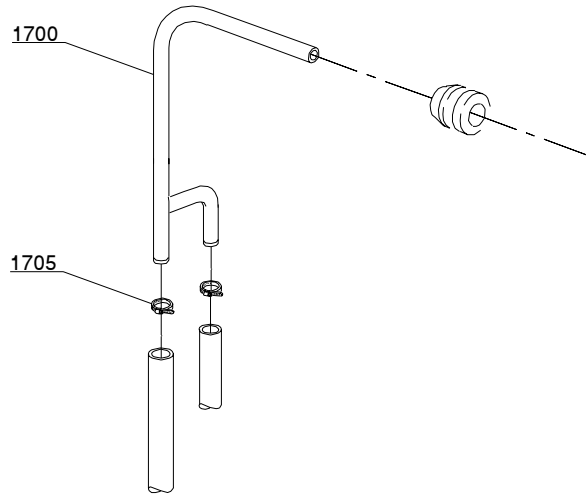


11\_005\_e

## Spare parts

ID	P-code	Model	Type	Accessory	Voltage	Description
MODULE:Boiler group						
8300	13005		7U			OR 151 NBR gasket
8305	26905		7U			Boiler
8310	15046		7U			3KW heating element
8310	16036		7U			2KW heating element
8315	26170		7U			Insulating boiler
8320	26171		7U			Bottom
8325	15550		7U			Safety thermostat

12\_007\_e

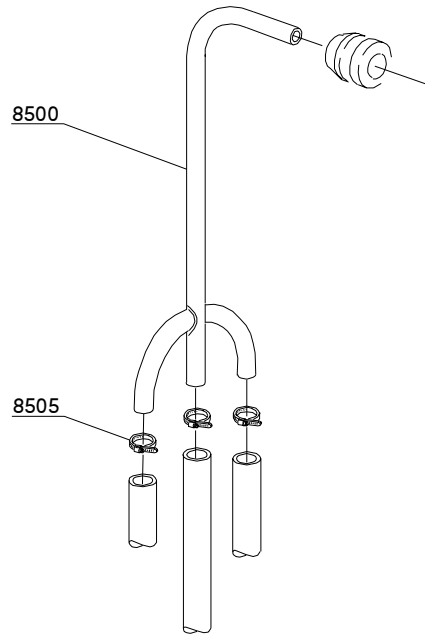




## Spare parts

---

ID	P-code	Model	Type	Accessory	Voltage	Description
MODULE:Derivation group						
1700	26012/B		7U			3 ways derivation
1705	11807		7U			12/22 clamp

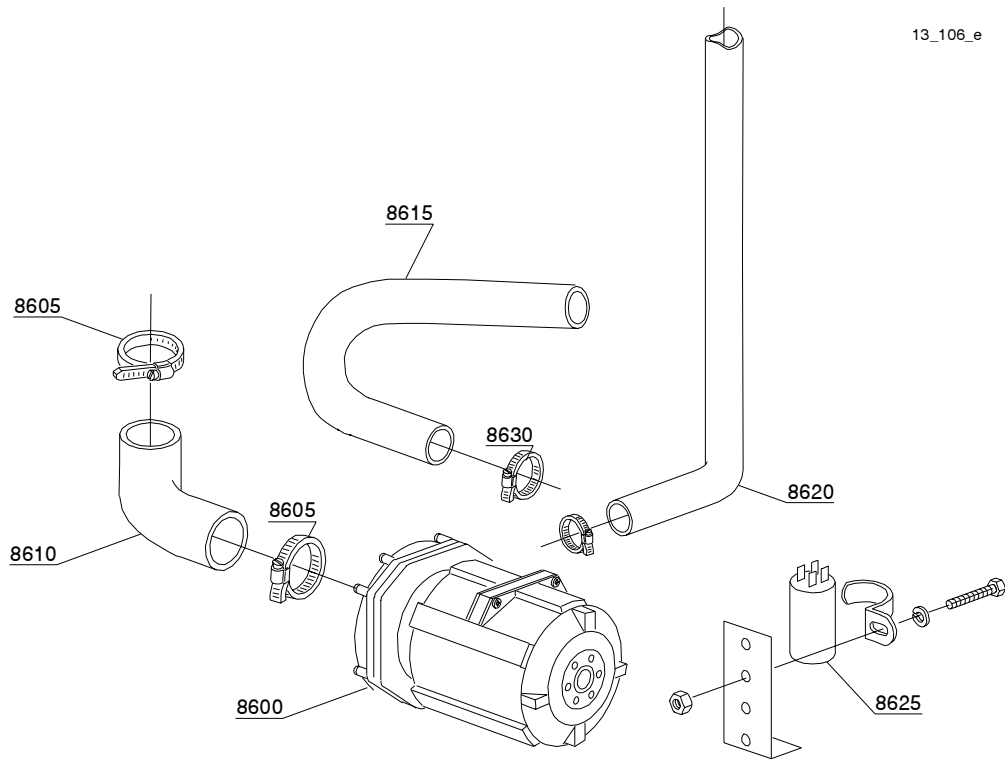


12\_009\_e

## Spare parts

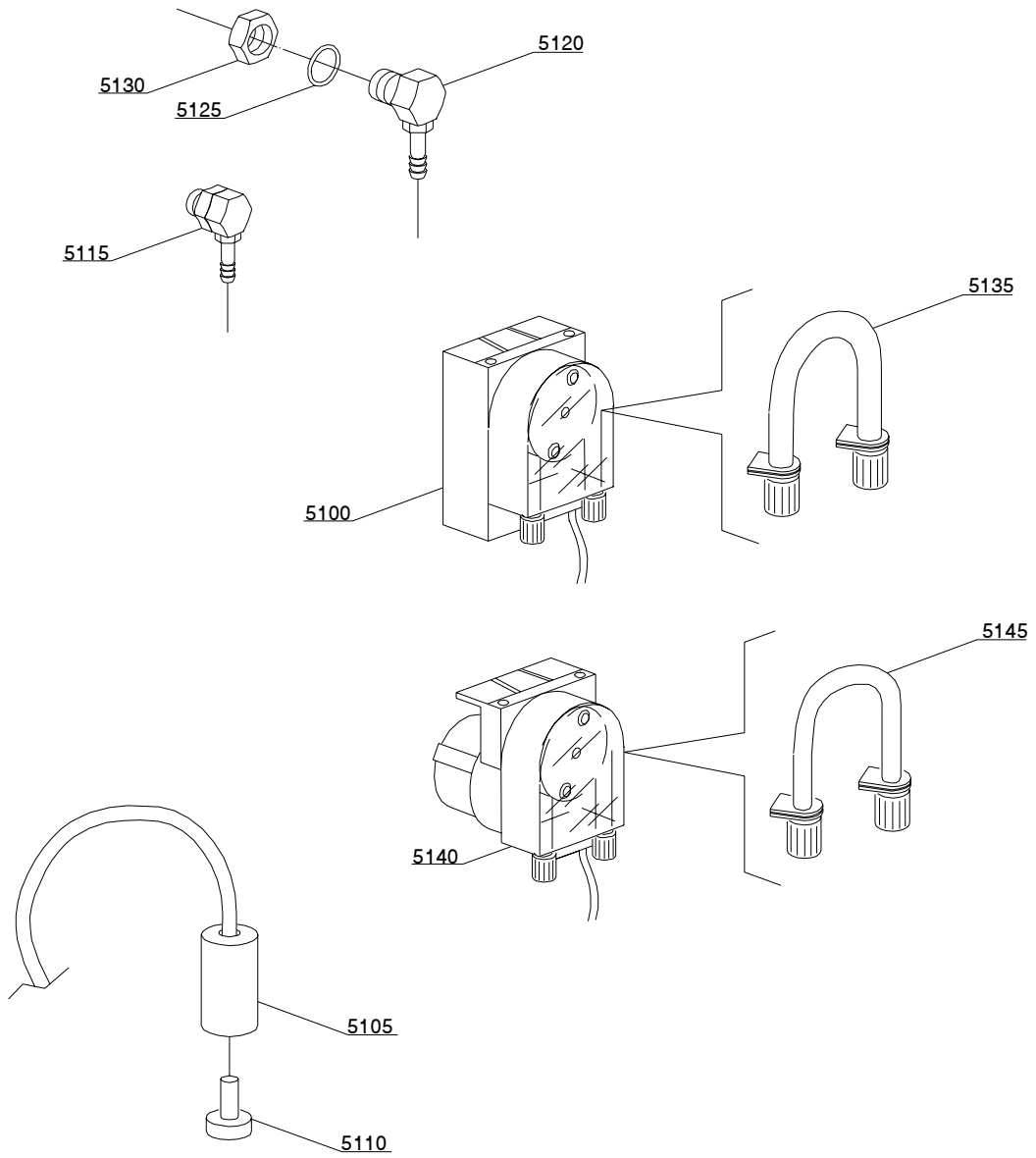
---

ID	P-code	Model	Type	Accessory	Voltage	Description
MODULE:Derivation group						
8500	26012/C		7U			4 ways derivation
8505	11807		7U			12/22 clamp



## Spare parts

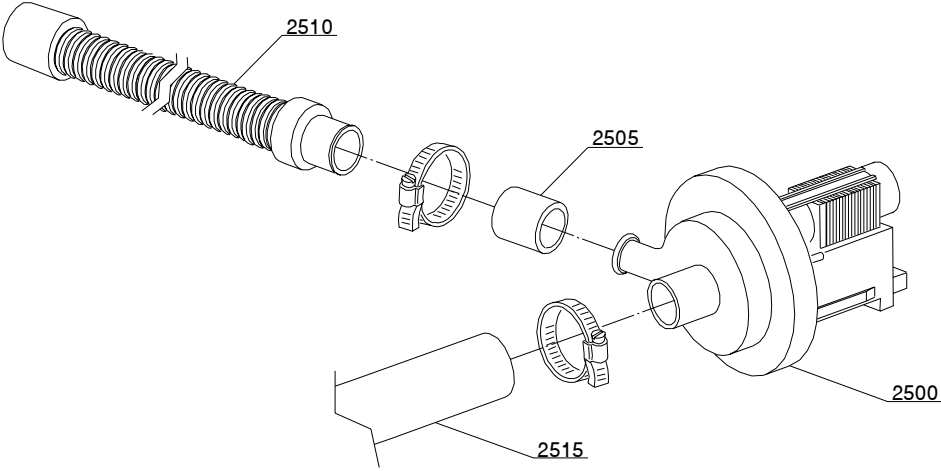
ID	P-code	Model	Type	Accessory	Voltage	Description
MODULE:Wash pump						
8600	26176		7U		A	0,6Hp wash pump
8600	150915		7U			0,7Hp wash pump - 230Vac 60Hz
8605	11810		7U			40/60 clamp
8610	15032		7U			Suction pipe coupling
8615	15033		7U			Lower wash delivery pipe
8620	30002021		7U			Top wash delivery pipe
8625	18043		7U			10 uF condenser
8630	11806		7U			25/40 clamp



14\_004\_e

## Spare parts

ID	P-code	Model	Type	Accessory	Voltage	Description
MODULE:Dosing device group						
5100	15985		7U	dd		Seko dosing device
5105	12525		7U	dd		Counter-weight
5110	15058		7U	dd		Small filter
5115	15123		7U	dd		Compleat plastic injector
5120	15148		7U	dd		Steel injector
5125	15159		7U	dd		OR gasket
5130	10200205		7U	dd		M12x1 stainless steel nut
5135	15185		7U	dd		Seko thermoplastic pipe
5140	15985		7U	dd		Germac dosing device
5145	15108/E		7U	dd		Germac thermoplastic pipe



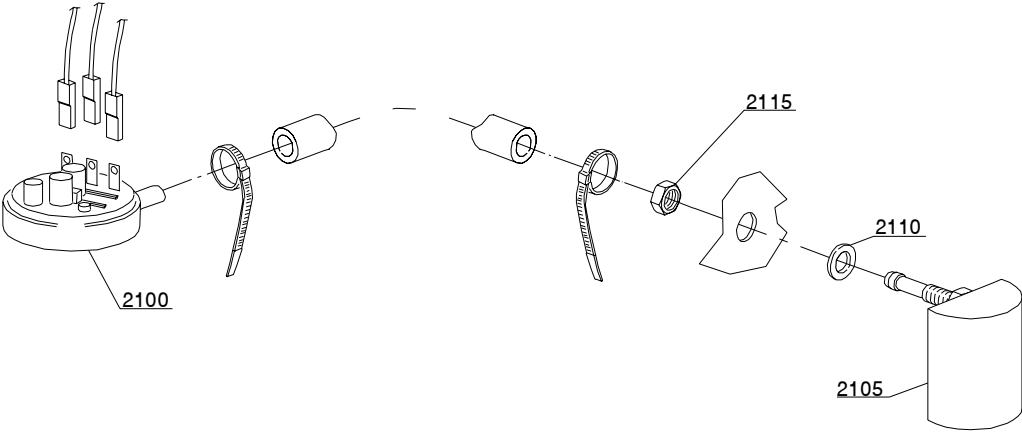
15\_004\_e



## Spare parts

---

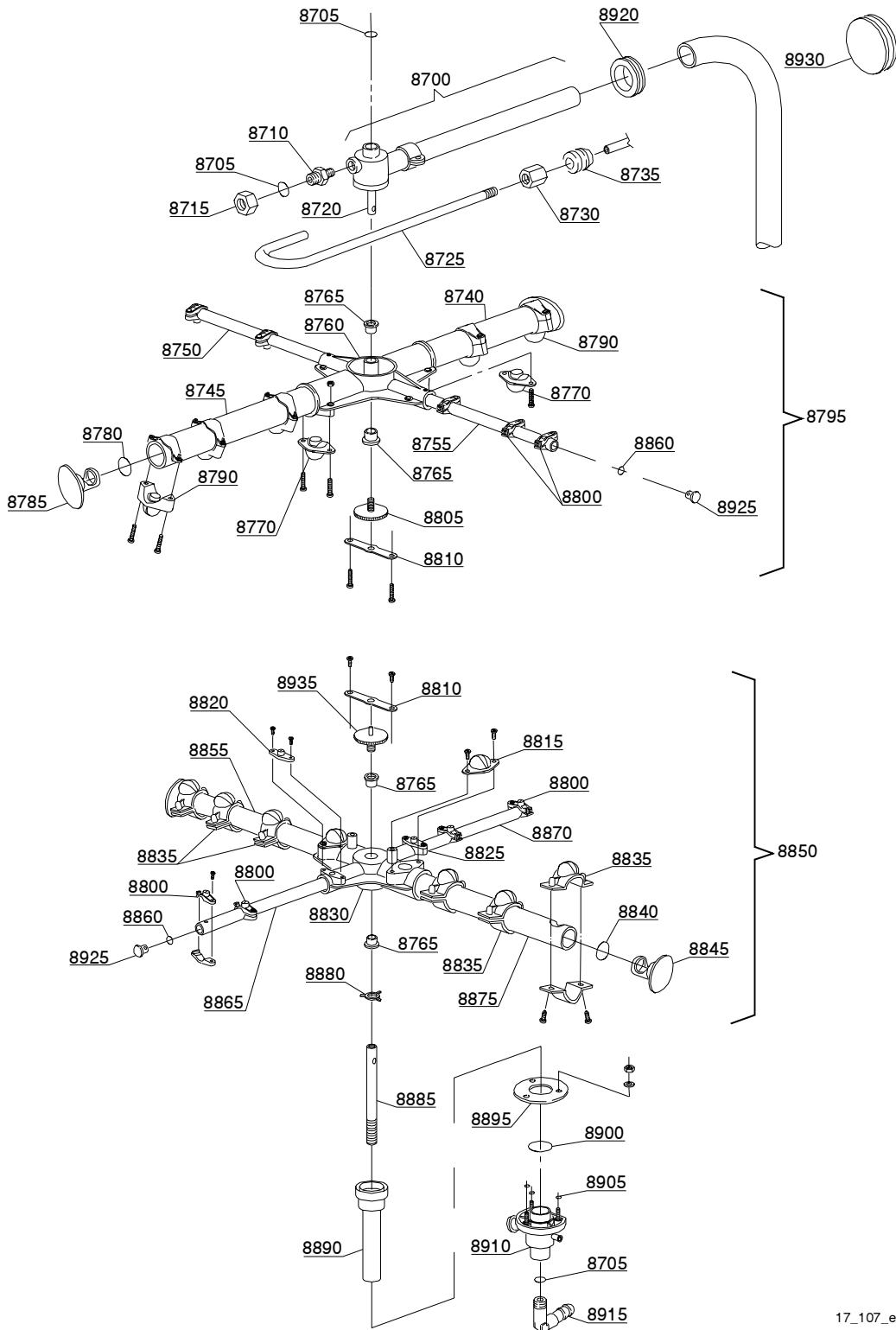
ID	P-code	Model	Type	Accessory	Voltage	Description
MODULE:Drain pump group						
2500	15101		7U	dp		Drain pump
2500	15101/B		7U	dp		Drain pump - 220Vac 60Hz
2505	15101/D		7U	dp		Pipe fitting
2510	10727		7U	dp		Drain pipe
2515	18787		7U	dp		Drain coude/pump connection pipe



16\_001\_e

## Spare parts

ID	P-code	Model	Type	Accessory	Voltage	Description
MODULE:Pressure switch group with air trap						
2100	10706/A		7U			47-27 pressure switch
2105	10911/D		7U			Air trap assembly
2110	13301		7U			Gasket
2115	11702		7U			M8 stainless steel nut



17\_107\_e

## Spare parts

ID	P-code	Model	Type	Accessory	Voltage	Description
MODULE:Turret group with rotating arms						
8700	26911		7U			Top wash/rinse distributor group
8705	13003		7U			OR 112 NBR gasket
8710	12006		7U			Ø10 rinse pipe fitting
8715	12006/A		7U			Ø10 pipe fitting 3/8x3,5 nut 19 hexagonal
8720	15300		7U			Ø10x51 lower/top rinse axle
8725	26012		7U			Complete rinse ramp
8730	12526		7U			Stainless steel pipe coupling
8735	13304		7U			Pipe-pass gasket
8740	15571		7U			Ø28 right wash pipe
8745	15572		7U			Ø28 left wash pipe
8750	15575		7U			Right rinse pipe
8755	15576		7U			Left rinse pipe
8760	10209		7U			4 ways big rotor
8765	13319		7U			Sliding washer
8770	10218		7U			Ø28 opened plane nozzle
8780	13018		7U			OR 2087 NBR gasket
8785	10257		7U			Ø28 plastic plug
8790	10211		7U			Ø28 raised nozzle
8795	15956		7U			Ø28 wash/rinse group
8800	12528		7U			Ø10 complet rinse nozzle
8805	11101/I		7U			Stainless steel group fixing screw
8810	10210		7U			Blocking ring nut rotor plaque
8815	10212		7U			Ø18 opened plane nozzle
8820	10213		7U			Ø10 opened plane nozzle
8825	10217		7U			Ø10 closed plane nozzle
8830	10208		7U			4 ways small rotor
8835	10746		7U			Nozzle with horizontal fissure
8840	13009		7U			OR 2050 NBR gasket
8845	10256		7U			Ø18 plastic plug
8850	26957		7U			Wash/rinse group
8855	26152		7U			Left wash pipe
8860	13016		7U			2018 OR 103 NBR gasket
8865	26153		7U			Right rinse pipe
8870	26154		7U			Left rinse pipe
8875	26151		7U			Right wash pipe
8880	10203		7U			Guide pipe
8885	19003		7U			10x1x190 stainless steel ground axle
8890	19250		7U			Bell-shape assembly with pipe coupling
8895	16038		7U			Ø60 stainless steel disk
8900	13000		7U			OR 3125 NBR gasket
8905	13001		7U			OR 104 NBR gasket
8910	10205		7U			Lower wash turret
8915	12030		7U			3/8M Ø12 elbow pipe fitting
8920	13306/A		7U			Top wash ramp gasket

**Spare parts**

ID	P-code	Model	Type	Accessory	Voltage	Description
8925	12532		7U			Ø10 plastic plug
8930	13316/A		7U			DVGW hole gasket
8935	11101/A		7U			Stainless steel group fixing screw