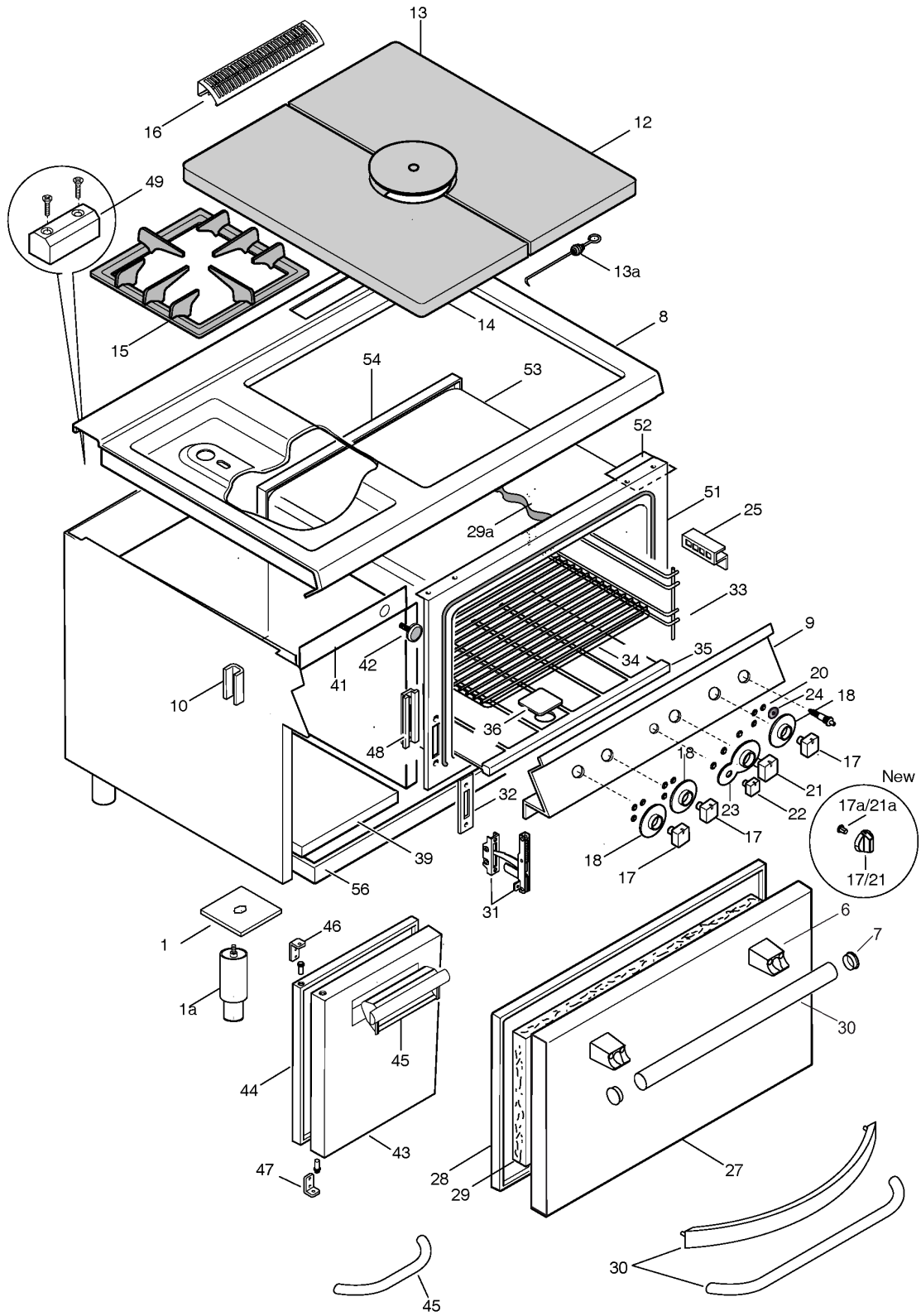


PNC	Model	Ref	Brand	Version	Notes
371007	E7STGH1000	q	ELX	GAS	SOLID TOP 800MM
371008	E7STGH10G0	a	ELX	GAS	OVEN 800 MM
371009	E7STGH30G0	b	ELX	GAS	2 BURNERS + OVEN 800 MM
371010	E7STGL3010	c	ELX	GAS	2 BURN. + OVEN + OPEN BURN.1200MM
371011	E7STGH3000	r	ELX	GAS	SOLID TOP + 2 BURNERS 800MM
371012	E7STGL5000	m	ELX	GAS	SOLID TOP + 4 BURNERS 1200 MM
371217	E7STGH10GA	j	ELX	GAS	SOLID TOP + OVEN 800 MM AUSTRALIA
371218	E7STGL301A	k	ELX	GAS	2 BURN. + OVEN + OPEN BURN 1200MM AUSTRALIA
372007	Z7STGH1000	s	ZAN	GAS	SOLID TOP 800MM
372008	Z7STGH10G0	d	ZAN	GAS	SOLID TOP + OVEN 800 MM
372009	Z7STGH30G0	e	ZAN	GAS	2 BURNERS + OVEN 800 MM
372010	Z7STGL3010	f	ZAN	GAS	2 BURN. + OVEN + OPEN BURN.1200MM
372011	Z7STGH3000	t	ZAN	GAS	SOLID TOP + 2 BURNERS 800MM
372012	Z7STGL5000	u	ZAN	GAS	2-BURNER+SOLID TOP+2 BURNER 1200 MM
372160	Z7STGH100H	v	ZAN	GAS	SOLID TOP 800 MM-HAKVOORT
372217	Z7STGH10GA	l	ZAN	GAS	SOLID TOP + OVEN 800 MM AUSTRALIA
372218	Z7STGL301A	n	ZAN	GAS	GAS SOLID TOP+2 BURN.+OVEN+OPEN B.1200MM
373007	A7STGH1000	w	OEM	GAS	SOLID TOP 800MM
373008	A7STGH10G0	g	OEM	GAS	SOLID TOP + OVEN 800 MM
373009	A7STGH30G0	h	OEM	GAS	2 BURNERS + OVEN 800 MM
373010	A7STGL3010	i	OEM	GAS	2 BURN. + OVEN + OPEN BURN.1200MM
373011	A7STGH3000	x	OEM	GAS	SOLID TOP + 2 BURNERS 800MM
373217	A7STGH10GA	o	OEM	GAS	GAS SOLID TOP+OVEN 800 MM AUSTRALIA
373218	O7GCGH4CG0	p	OEM	GAS	GAS SOLID TOP+2BURN.+OVEN+OPEN B.1200AUS

Pag	Index	Indice	Note
2,3	General components	Componenti struttura	
4	Gas components	Componenti Gas	
5,6	Pilot / Burner Nozzle	Tabelle ugelli	
7,8,9,10	Spare parts list	Lista ricambi	

Brand/Marchio: All
 Factory code: 9PDX

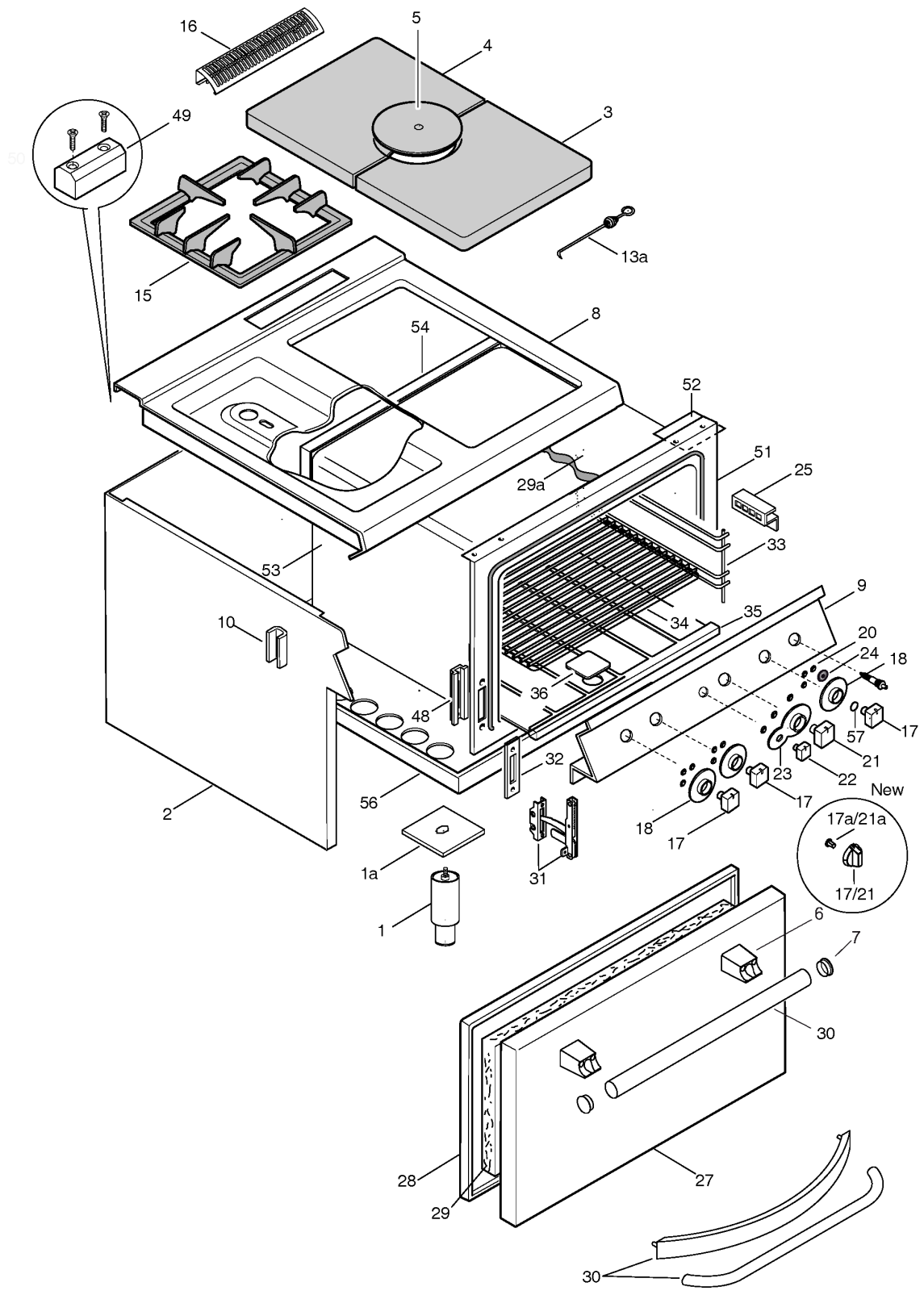
From sr. Nr/ Da Ser. Nr.:016	Page: 1 DATE. 2018 07	Doc. Nr.: 059785DU00
------------------------------	--------------------------	-----------------------------



Model	All									
Table	59785DU00		Page	2	General components					
Pos.	Spare Part	Alias Code	Repl. by	S	Info	Kit	Techn. Bulletin	Description	Notes	
0001	026806	0315252601		S				FOOT WITH SCREW M6; Ø=18MM	m,q,r	
0001	0C0204	0835856901		S				FOOT; Ø=50,5MM; PIN M10; AISI 304		
0006	0C6891	0530R01701						HANDLE SUPPORT	ELX	
0007	0C6823	0530R01801	0C6901			+		PLUG	ELX	
0008	0C7722	087089A801						SHELF	ELX	
0008	0C7725	087089AB01						SHELF	ELX	
0008	0C7726	087089AC00						SHELF	ELX ZAN, OEM	
0008	0C7927	087089MH00			D			SHELF; ASSY		
0008	0C7928	087089MJ00			D			SHELF; ASSY	ZAN, OEM	
0008	0C7929	087089MM01			D			SHELF; ASSY	ZAN, OEM	
0008	0C8367	087089NC01						SHELF	ELX	
0008	0C8368	087089NG01						SHELF	ZAN	
0009	000000	0800839J00							OEM oven 800mm	
0009	000000	0800839Y00							OEM - 2 Burner+oven 1200mm	
0009	000000	080083A000							OEM 800	
0009	000000	085089JT00							ZAN - 2 Burner+oven 800mm	
0009	000000	088839K00							OEM - 2 Burner+oven 800mm	
0009	0C7892	085089J102						CONTROL PANEL	ELX - 2 Burner+oven 1200mm	
0009	0C7899	085589CW01						CONTROL PANEL	ZAN - 2 Burner+oven 1200mm	
0009	0C8042	085089JQ02						CONTROL PANEL	ELX oven 800mm	
0009	0C8043	085089JS00						CONTROL PANEL	ELX - 2 Burner+oven 800mm	
0009	0C8046	085089JR00						CONTROL PANEL	ZAN oven 800mm	
0009	0C8361	085089K002						CONTROL PANEL	ELX - 2 Burners 800mm	
0009	0C8362	085089K102						CONTROL PANEL	ELX - 4 Burners 1200mm	
0009	0C8363	085089K202						CONTROL PANEL	ELX 800	
0009	0C8364	085089K301						CONTROL PANEL	ZAN 800	
0009	0C8365	085089KD01						CONTROL PANEL	ZAN - 2 Burners 800mm	
0009	0C8366	085089KF01						CONTROL PANEL	ZAN - 4 Burners 1200mm	
0009	0CA798	080083A100			D			CONTROL PANEL	OEM - 2 Burners 800mm	
0010	0C0156	0527850500						BRACKET		
0012	054823	0510805101	0CB505			+		RADIANT PLATE; RIGHT		
0013	050803	0210026714			D	+		PLATE		
0014	054824	0510805201	0CB505			+		RADIANT PLATE; LEFT		
0014	0CB505	080083CH00						RADIANT PLATE; COMPLETE; 1M	39	
0015	0C2526	0511821400		S				PAN SUPPORT GRID		
0016	0C7333	050389LP00		S				CHIMNEY GRID; L=400MM	m,u - 800mm	

Model	All								
Table	59785DU00		Page	2		General components			
Pos.	Spare Part	Alias Code	Repl. by	S	Info	Kit	Techn. Bulletin	Description	Notes
0016	0C7705	050389LM00						CHIMNEY GRID; L=500MM	1200mm
0017	0C1007	0548865600		S				KNOB; ØE=55,5MM; PIN=Ø8MM	OEM from 1371
0017	0C1380	0548865700		S				KNOB	OEM up to 1361
0017	0C7330	0511850D02	0C8645					KNOB	ELX up to 2201
0017	0C7425	0548878101		S				KNOB; DIA.8MM	ZAN
0017	0C8645	054887AV00		S		Kit		ADAPTER; WITH KNOB; DIA.8; KIT	ELX from 2211
0018	0C6671	0548876S01		S				RING NUT	ELX
0018	0C7243	0548879F00		S				RING NUT	ZAN, OEM
001a	000000	0527861500							q,r
001a	0TTG45	050589CD00			D			FOOT REINFORCEMENT	
0020	069567	0218912211	0C6288					RING CONNECTION	
0021	0C5252	0548872700		S				VALVE GAS KNOB	OEM
0021	0C7179	0548877Z01		S				KNOB	ZAN
0021	0C7330	0511850D02	0C8645					KNOB	ELX up to 2201
0021	0C8645	054887AV00		S		Kit		ADAPTER; WITH KNOB; DIA.8; KIT	ELX from 2211
0022	0C0190	0548856603		S				KNOB; FOR IGNITER MERTIK; ØE=32MM	OEM
0022	0C2021	0548863303		S				KNOB; IGNITER MERTIK; BLEU	ELX
0022	0C7181	548878303		S				KNOB	ZAN
0023	0C7241	0548879700						RING NUT	ZAN, OEM
0023	0C7342	0548877401		S				RING NUT	ELX
0024	000000								
0025	0C6445	0538831100						BULB PROTECTION SUPPORT	
0027	0C7272	050389G501						OVEN DOOR	
0028	0C7273	050389G600						OVEN INNER DOOR	
0029	0C0197	0560839601						HOOD	
0030	0C7226	051589A602						OVEN HANDLE	ZAN
0030	0C7271	085589A302						ASSEMBLY OVEN DOOR	ELX
0030	0C7274	051589A500						OVEN DOOR HANDLE	ELX
0030	0C7276	085589CH04						OVEN DOOR	ZAN
0030	0C7278	085589CQ02						OVEN DOOR	OEM
0030	0C7946	083089FY00						ONEN DOOR HANDLE	OEM
0031	0C0203	0835848100		S	A			HINGE	
0032	052725	0205075423		S				HINGE COVER	
0033	0C6446	051489AA00						BAKING PAN GUIDE	
0033	0C6454	051489AG00						BASIN GUIDE	AUSTRALIA
0034	025020	0330260842		S				CROMED GRID; 650X530MM	

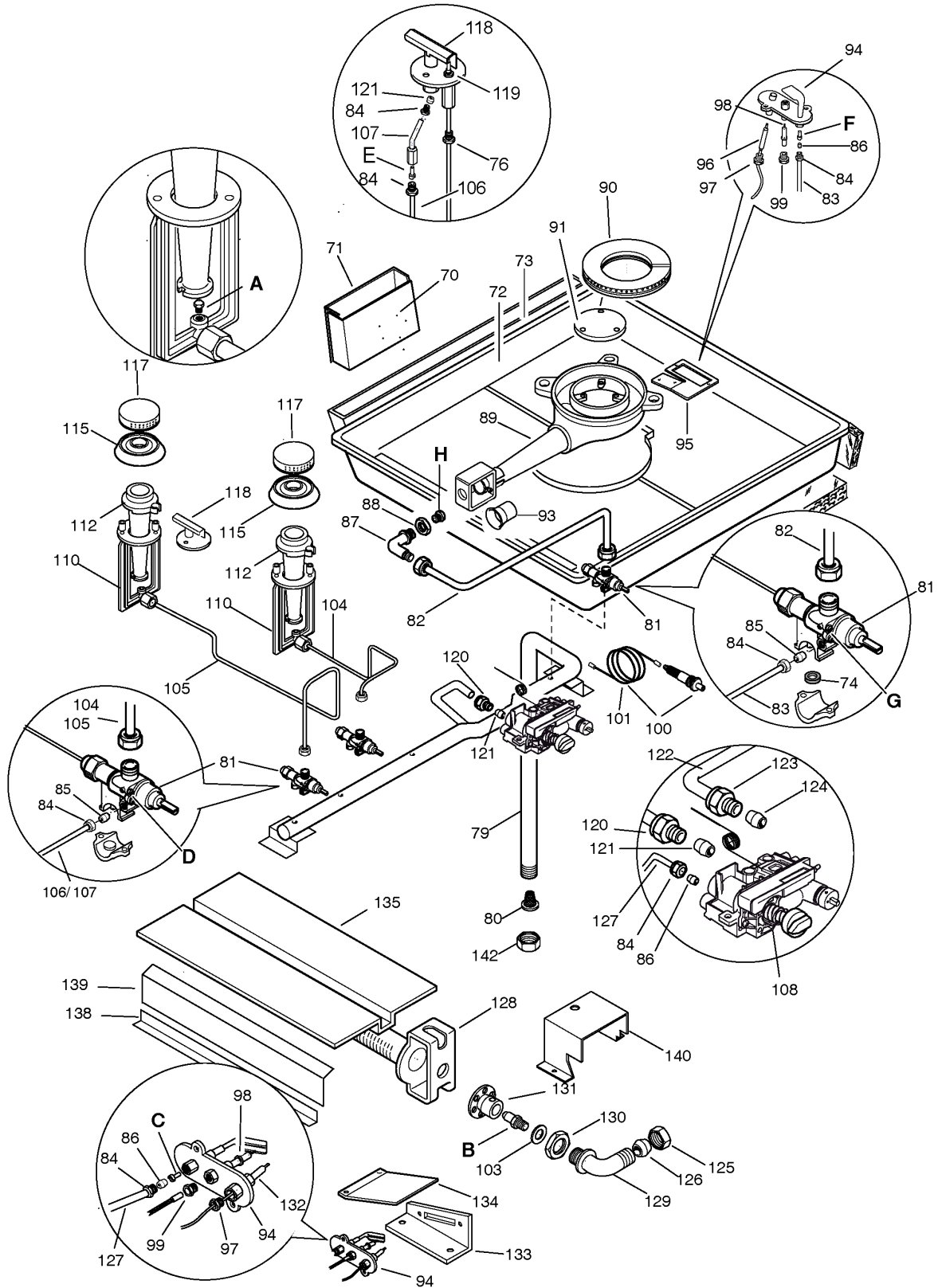
Model	All		Page 2		General components				
Table	59785DU00								
Pos.	Spare Part	Alias Code	Repl. by	S	Info	Kit	Techn. Bulletin	Description	Notes
0034	0C6455	856814402						OVEN GRID SHELF; 650X530MM	AUSTRALIA
0035	054114	0500847401						SOLE PLATE	
0036	050761	0315280702						LID	
0039	000000	0522891100							
0041	000000	0522891200							
0042	0C0201	0830898200		S		+		MAGNET	
0043	000000	050389MB01							OEM
0043	0C7157	050389G300						DOOR	ELX
0044	0C7158	050489CQ00						INNER DOOR	
0045	0A5021	0854864203						HANDLE	OEM
0045	0C7163	085589CT03						OVEN DOOR WITH HANDLE; ASSY	ELX
0045	0C7165	085589CU05						DOOR ASSEMBLY; WITH HANDLE	ZAN
0045	0C7627	085589CV02						DOOR ASSEMBLY; WITH HANDLE	OEM
0045	0C8190	054887A802		S				HANDLE	ZAN
0045	0C8769	054887AH00		S				HANDLE	ELX
0046	0C0138	0516860801		S		+		HINGE	
0047	0C0139	0516860901		S		+		HINGE	
0048	0C0165	0529835402	0C5244					SUPPORT	
0049	000000								
0051	0C0218	0870838210						FRONT PANEL	
0051	0C0219	0870838309						FRONT PANEL	
0052	0C0182	0529850500						PLAQUE	
0053	000000	0522882600							
0054	000000	0522882700							
0056	000000	05038A2602							
0056	000000	05038A2702							
0056	000000	0522891101							
0056	000000	5038A1W01							q,r
0056	0C7391	50389WD00			D			BOTTOM	m
013a	001158	0330294200						RINGS HOOK	
017a	0C8714	054887AP00		S		+		ADAPTER; DIA.8	ELX from 2211
021a	0C8714	054887AP00		S		+		ADAPTER; DIA.8	ELX from 2211
029a	0C2305	0560802101						INSULATOR	



Model	All									
Table	59785DU00		Page	3	General components					
Pos.	Spare Part	Alias Code	Repl. by	S	Info	Kit	Techn. Bulletin	Description	Notes	
0001	026806	0315252601		S				FOOT WITH SCREW M6; Ø=18MM	m,q,r	
0001	0C0204	0835856901		S				FOOT; Ø=50,5MM; PIN M10; AISI 304		
0002	000000	085089FG01							ELX	
0002	000000	085089FK01							ZAN, OEM	
0002	0C7392	085089FC01			D			OUTER COVER	ZAN	
0002	0C7536	085089F801						COVERING PLATE	ELX	
0002	0C8464	085089FB01						COVERING PLATE	ZAN,OEM	
0002	0C8598	085089FF01			D			COVERING PLATE	ELX	
0002	0CA725	085089F901			D			COVERING; ASSY; TOP 1200	ELX	
0002	0CA950	085089FJ01			D			COVERING PLATE	ZAN, OEM	
0003	002529	0510814800	0CB506		D	+		HALF-PLATE; FRONT	b,e,h,m,r,t,u,x	
0004	002530	0510814901	0CB506		D	+		HALF-PLATE; REAR	b,e,h,m,r,t,u,x	
0005	002531	0510815000	0CB506		D	+		DISK	b,e,h,m,r,t,u,x	
0005	0CB506	080083CJ00						RADIANT PLATE; COMPLETE; 1/2M	b,e,h,m,r,t,u,x - 3+4+5	
0006	0C6891	0530R01701						HANDLE SUPPORT	ELX	
0007	0C6823	0530R01801	0C6901			+		PLUG	ELX	
0008	0C7722	087089A801						SHELF	ELX	
0008	0C7725	087089AB01						SHELF	ELX	
0008	0C7726	087089AC00						SHELF	ELX ZAN, OEM	
0008	0C7927	087089MH00			D			SHELF; ASSY		
0008	0C7928	087089MJ00			D			SHELF; ASSY	ZAN, OEM	
0008	0C7929	087089MM01			D			SHELF; ASSY	ZAN, OEM	
0008	0C8367	087089NC01						SHELF	ELX	
0008	0C8368	087089NG01						SHELF	ZAN	
0009	000000	0800839J00							OEM oven 800mm	
0009	000000	0800839Y00							OEM - 2 Burner+oven 1200mm	
0009	000000	080083A000							OEM 800	
0009	000000	085089JT00							ZAN - 2 Burner+oven 800mm	
0009	000000	088839K00							OEM - 2 Burner+oven 800mm	
0009	0C7892	085089J102						CONTROL PANEL	ELX - 2 Burner+oven 1200mm	
0009	0C7899	085589CW01						CONTROL PANEL	ZAN - 2 Burner+oven 1200mm	
0009	0C8042	085089JQ02						CONTROL PANEL	ELX oven 800mm	
0009	0C8043	085089JS00						CONTROL PANEL	ELX - 2 Burner+oven 800mm	
0009	0C8046	085089JR00						CONTROL PANEL	ZAN oven 800mm	
0009	0C8361	085089K002						CONTROL PANEL	ELX - 2 Burners 800mm	
0009	0C8362	085089K102						CONTROL PANEL	ELX - 4 Burners 1200mm	

Model	All								
Table	59785DU00		Page	3		General components			
Pos.	Spare Part	Alias Code	Repl. by	S	Info	Kit	Techn. Bulletin	Description	Notes
0009	0C8363	085089K202						CONTROL PANEL	ELX 800
0009	0C8364	085089K301						CONTROL PANEL	ZAN 800
0009	0C8365	085089KD01						CONTROL PANEL	ZAN - 2 Burners 800mm
0009	0C8366	085089KF01						CONTROL PANEL	ZAN - 4 Burners 1200mm
0009	0CA798	080083A100			D			CONTROL PANEL	OEM - 2 Burners 800mm
0010	0C0156	0527850500						BRACKET	
0015	0C2526	0511821400		S				PAN SUPPORT GRID	
0016	0C7333	050389LP00		S				CHIMNEY GRID; L=400MM	m,u - 800mm
0016	0C7705	050389LM00						CHIMNEY GRID; L=500MM	1200mm
0017	0C1007	0548865600		S				KNOB; ØE=55,5MM; PIN=Ø8MM	OEM from 1371
0017	0C1380	0548865700		S				KNOB	OEM up to 1361
0017	0C7330	0511850D02	0C8645					KNOB	ELX up to 2201
0017	0C7425	0548878101		S				KNOB; DIA.8MM	ZAN
0017	0C8645	054887AV00		S		Kit		ADAPTER; WITH KNOB; DIA.8; KIT	ELX from 2211
0018	0C6671	0548876S01		S				RING NUT	ELX
0018	0C7243	0548879F00		S				RING NUT	ZAN, OEM
001a	000000	0527861500							q,r
001a	0TTG45	050589CD00			D			FOOT REINFORCEMENT	
0020	069567	0218912211	0C6288					RING CONNECTION	
0021	0C5252	0548872700		S				VALVE GAS KNOB	OEM
0021	0C7179	0548877Z01		S				KNOB	ZAN
0021	0C7330	0511850D02	0C8645					KNOB	ELX up to 2201
0021	0C8645	054887AV00		S		Kit		ADAPTER; WITH KNOB; DIA.8; KIT	ELX from 2211
0022	0C0190	0548856603		S				KNOB; FOR IGNITER MERTIK; ØE=32MM	OEM
0022	0C2021	0548863303		S				KNOB; IGNITER MERTIK; BLEU	ELX
0022	0C7181	548878303		S				KNOB	ZAN
0023	0C7241	0548879700						RING NUT	ZAN, OEM
0023	0C7342	0548877401		S				RING NUT	ELX
0024	000000								
0025	0C6445	0538831100						BULB PROTECTION SUPPORT	
0027	0C7272	050389G501						OVEN DOOR	
0028	0C7273	050389G600						OVEN INNER DOOR	
0029	0C0197	0560839601						HOOD	
0030	0C7226	051589A602						OVEN HANDLE	ZAN
0030	0C7271	085589A302						ASSEMBLY OVEN DOOR	ELX
0030	0C7274	051589A500						OVEN DOOR HANDLE	ELX

Model	All									
Table	59785DU00		Page	3	General components					
Pos.	Spare Part	Alias Code	Repl. by	S	Info	Kit	Techn. Bulletin	Description	Notes	
0030	0C7276	085589CH04						OVEN DOOR	ZAN	
0030	0C7278	085589CQ02						OVEN DOOR	OEM	
0030	0C7946	083089FY00						OVEN DOOR HANDLE	OEM	
0031	0C0203	0835848100		S	A			HINGE		
0032	052725	0205075423		S				HINGE COVER		
0033	0C6446	051489AA00						BAKING PAN GUIDE		
0033	0C6454	051489AG00						BASIN GUIDE	AUSTRALIA	
0034	025020	0330260842		S				CROMED GRID; 650X530MM		
0034	0C6455	856814402						OVEN GRID SHELF; 650X530MM	AUSTRALIA	
0035	054114	0500847401						SOLE PLATE		
0036	050761	0315280702						LID		
0048	0C0165	0529835402	0C5244					SUPPORT		
0049	000000									
0051	0C0218	0870838210						FRONT PANEL		
0051	0C0219	0870838309						FRONT PANEL		
0052	0C0182	0529850500						PLAQUE		
0053	000000	0522882600								
0054	000000	0522882700								
0056	000000	05038A2602								
0056	000000	05038A2702								
0056	000000	0522891101								
0056	000000	5038A1W01							q,r	
0056	0C7391	50389WD00			D			BOTTOM	m	
0057	059293	0543815000		S				O-RING; ØI=3,68X1,78 MM		
013a	001158	0330294200						RINGS HOOK		
017a	0C8714	054887AP00		S		+		ADAPTER; DIA.8	ELX from 2211	
021a	0C8714	054887AP00		S		+		ADAPTER; DIA.8	ELX from 2211	
029a	0C2305	0560802101						INSULATOR		



Model	All								
Table	59785DU00		Page	4	Gas components				
Pos.	Spare Part	Alias Code	Repl. by	S	Info	Kit	Techn. Bulletin	Description	Notes
0070	000000	0533825302							
0071	000000	0533825401							
0071	000000	0533828100							
0072	000000	0533828001							
0072	000000	0533828500							
0073	000000	0533828200							
0074	0C6971	0543844000						GASKET	
0076	000000								
0079	0C0793	0853864402						FEED PIPE	
0079	0C0794	0853864502						FEED PIPE	
0079	0C2977	0853883400						GAS FEED PIPE; ASSY	
0079	0C7588	085589DM00						GAS FEED PIPE	
0079	0C7589	085589DP00						GAS FEED PIPE	
0079	0C8197	085589DN00						GAS FEED PIPE	
0080	0C0140	0516863900				+		FILTER	
0081	0C0205	0835857201		S	A			VALVED GAS TAP; 21S	
0082	0C2978	0853898400						PIPE	
0082	0C2979	0853895100						PIPE	b,e,h,m,r,t,u,x
0083	0C3633	0517898601						PIPE	
0083	0C3639	0517898701						PIPE	b,e,h,m,r,t,u,x
0084	052125	0214164400		S		+		PIPE FITTING; M10X1; HOLE DIAM.4MM	
0085	052127	0215199700		S		+		DOUBLE CONE; DIA 4MM	
0086	059161	0517808700		S				DOUBLE CONE; DIA 4	
0087	059375	0511805801		S				NOZZLE	
0088	020997	0214105101		S		+		LOCK NUT	
0089	004279	510817900						BURNER	a,c,d,f,g,i,j,k,n,p,q,s,v,w
0089	005502	0830876503						BURNER	b,e,h,m,r,t,u,x
0090	004280	0510818001		S				FLAME SPREADER	
0091	054536	0506841000						INSERT	
0093	052116	0206993401		S				AIR REGULATOR	
0094	005503	0830884100	0C7102					PILOT BURNER	Up to wk 14/2003
0094	0C7102	0830884101		S	A			PILOT BURNER	From wk 15/2003
0095	0CB509	050489Y300						PILOT BURNER SUPPORT	
0096	051119	0830853101		S				THERMOCOUPLE; M8X1 L=150 CM	b,e,h,m,r,t,u,x
0096	0C0202	0831800500		S	A			THERMOCOUPLE; M8X1 L=750MM	
0097	0C0121	0214162000		S				PIPE FITTING	

Model	All								
Table	59785DU00		Page	4	Gas components				
Pos.	Spare Part	Alias Code	Repl. by	S	Info	Kit	Techn. Bulletin	Description	Notes
0098	059380	0830863300		S				SPARK PLUG; DIA 6X44 MM	
0099	057960	0214164101		S				PIPE FITTING; SPARK PLUG	
0100	002605	0835834900	0C9240					PIEZOELECTRIC IGNITER	
0101	006514	0638883500	002544		A			IGNITION CABLE; 700 MM	
0103	054029	0506833401		S				GASKET	
0104	0C2799	0835868100						PIPE	
0105	0C2800	0835868202						PIPE	
0106	0C4192	0544821000	0C9553					PIPE; ANT.	Up to 3281
0106	0C4193	0544820900	0C9552					PIPE; POST.	Up to 3281
0106	0C9552	051589BH00		S		+		PIPE; REAR	From 3291
0106	0C9553	051589BJ00		S		+		PIPE; FRONT	From 3291
0107	0C3643	0510823900		S		+		PIPE FITTING; FOR PILOT BURNER	
0108	0C0209	0835859300			D		PDX2008-05	GAS VALVE; MERTIK GV31T-C1A7AGK0Z	Up to 814
0108	0C5247	0835859302		S	A			GAS VALVE; GV31T-C1A7AGK0003; FOR OVEN	From 815
0108	0C5250	0835865602		S	A			GAS VALVE; GV30T-C1A7AMK6E0; FOR OVEN	AUSTRALIA
0110	0C0124	0510819003		S				VENTURI SUPPORT	
0112	0C0125	0510819103		S				VENTURI PIPE; 6 KW	
0115	0C0127	0510819303		S				BURNER BODY; 6KW;Ø=60,4MM;ØE=79.5MM	
0117	0C0129	0510819501		S				FLAME SPREADER; DIA 60 MM	
0118	0C3644	0806854300				+	PDX2006-03	PILOT BURNER	
0119	0C0202	0831800500		S	A			THERMOCOUPLE; M8X1 L=750MM	
0120	051950	0514862501		S				PIPE FITTING; 3/8"	
0121	050682	0215170716		S		+		DOUBLE CONE; ØI=12MM	
0122	0C0208	0835857602	0C1323					PIPE	
0123	0C0149	0516869500		S				PIPE FITTING ; 3/8"; MALE	
0124	0C0150	0516869600		S				DOUBLE CON	
0125	0A2125	0514829301		S				NUT; M16X1,5	
0126	060325	0215073101		S				DOUBLE CONE; ØE=12MM; ØI=10 MM; L=7,5MM	
0127	0C0153	0544820800		S				PIPE	
0128	0C3584	0831823400						OVEN BURNER	
0129	059250	0511805401		S				NOZZLE	
0130	020997	0214105101		S		+		LOCK NUT	
0131	054085	0830827102						AERATOR	
0132	020094	0830852501		S				THERMOCOUPLE; M9X1 L=120 CM	
0133	0C0171	0529836201						BRACKET	
0134	0C0172	0529836300						PROTECTION	

Model		All							
Table		59785DU00		Page		4		Gas components	
Pos.	Spare Part	Alias Code	Repl. by	S	Info	Kit	Techn. Bulletin	Description	Notes
0135	0C3472	0533819600						FIREPROOF	
0138	0C2823	0533814300						CONVEYOR	
0139	0C0169	0529836000						CLOSURE	
0140	0C0170	0529836101						CLOSURE	
0142	0C2356	0246519800				+		PLUG	

A - Ugello bruciatore / Burner nozzle ø60			
6DGT Code	Ref. / Notes		
059314	ø1.15	3+3B/P	G30 30mbar
0A2076	ø1.10	3B/P	G30 37mbar
0C2807	ø1.10	3B/P	G30 50mbar
0C2809	ø1.85	2H/2E+	G20 20mbar
0C2808	ø1.75	2H	G20 25mbar
0C2805	ø1.75/2.10	2L	G25 25mbar
0C2345	ø1.65/1.90	2K	G25.3 25mbar
0C2806	ø1.85/2.10	2ELL	G25 20mbar
0C2805	ø1.75/2.10	2S	G25.1 25mbar
0C5475	ø3.50	1a	G110 8mbar
0C3658	ø3.30	1b	G120 8mbar

D - Vite di minimo / Min screw ø60			
6DGT Code	Ref./ Notes		
002911	n°55	3+3B/P	G30 30mbar
002911	n°55	3B/P	G30 37mbar
002925	n°50	3B/P	G30 50mbar
002899	n°80	2H/2E+	G20 20mbar
002899	n°80	2H	G20 25mbar
002899	n°80	2L	G25 25mbar
002899	n°80	2K	G25.3 25mbar
002899	n°80	2ELL	G25 20mbar
002899	n°80	2S	G25.1 25mbar
-	adjust	1a	G110 8mbar
-	adjust	1b	G120 8mbar

E - Pilota fuochi / Pilot nozzle open burner			
6DGT Code	Ref./ Notes		
054593	n°25	3+3B/P	G30 30mbar
054593	n°25	3B/P	G30 37mbar
054593	n°25	3B/P	G30 50mbar
053670	n°41	2H/2E+	G20 20mbar
053670	n°41	2H	G20 25mbar
053670	n°41	2L	G25 25mbar
053670	n°41	2K	G25.3 25mbar
053670	n°41	2ELL	G25 20mbar
053670	n°41	2S	G25.1 25mbar
053669	n°75	1a	G110 8mbar
053669	n°75	1b	G120 8mbar

Pos.	Spare Part	Alias Code	Repl. by	S	Info	Kit	Techn. Bulletin	Description	Notes
0000	002899			S		+		MINIMUM SCREW; Ø=0,80; NG	
0000	002911			S		+		MINIMUM SCREW; Ø=0,55; GPL	
0000	002925			S		+		MINIMUM SCREW; Ø=0,50; GPL 50 MBAR	
0000	053669			S				PILOT NOZZLE; N°75; TOWN GAS	
0000	053670			S		+		PILOT NOZZLE; N.41 GN	
0000	054593			S		+		PILOT NOZZLE; N 25 GPL	
0000	059314			S		+		NOZZLE; N°115; GPL	
0000	0A2076			S		+		NOZZLE; N°110; GPL	
0000	0C2345							NOZZLE; DOUBLE; 1.65-1,90	
0000	0C2805			S				NOZZLE; Ø=1.75/2.10; NATURAL GAS; 25MBAR	
0000	0C2806							NOZZLE; DIA 1,85 (DIA 2,10 D.P.)	
0000	0C2807			S		+		NOZZLE; DIA. 1,10	
0000	0C2808					+		NOZZLE; DIA 1,75	
0000	0C2809			S		+		NOZZLE; DIA 1,85	
0000	0C3658							GAS NOZZLE; D 3,3 H 25	
0000	0C5475			S				GAS NOZZLE; DIA.3.50 L.25	

B - Ugello FORNO / Burner nozzle OVEN			
6DGT Code	Ref. / Notes		
059804	ø1.25	3+3B/P	G30 30mbar
0C2810	ø1.20	3B/P	G30 37mbar
054082	ø1.10	3B/P	G30 50mbar
0C0509	ø1.85	2H/2E+	G20 20mbar
003723	ø1.75	2H	G20 25mbar
0C2811	ø2.00	2L	G25 25mbar
0C0509	ø1.85	2K	G25.3 25mbar
056147	ø2.10	2ELL	G25 20mbar
0C2811	ø2.00	2S	G25.1 25mbar
055133	ø3.80	1a	G110 8mbar
054128	ø3.40	1b	G120 8mbar

C - Ugello pilota FORNO / Pilot nozzle OVEN			
6DGT Code	Ref./ Notes		
059216	n°14	3+3B/P	G30 30mbar
059216	n°14	3B/P	G30 37mbar
059216	n°14	3B/P	G30 50mbar
059215	n°27	2H/2E+	G20 20mbar
059215	n°27	2H	G20 25mbar
059215	n°27	2L	G25 25mbar
059215	n°27	2K	G25.3 25mbar
059215	n°27	2ELL	G25 20mbar
059215	n°27	2S	G25.1 25mbar
059356	n°50	1a	G110 8mbar
059356	n°50	1b	G120 8mbar

H - Ugello TuttaPiastra / Burner nozzle SolidTop 400 mm			
6DGT Code	Ref. / Notes		
0A2088	ø0.95	3+3B/P	G30 30mbar
003397	ø0.90	3B/P	G30 37mbar
059357	ø0.85	3B/P	G30 50mbar
0A2082	ø1.40	2H/2E+	G20 20mbar
002393	ø1.30	2H	G20 25mbar
0A2091	ø1.45	2L	G25 25mbar
0A2082	ø1.40	2K	G25.3 25mbar
0A2103	ø1.55	2ELL	G25 20mbar
0A2091	ø1.45	2S	G25.1 25mbar
059383	ø2.80	No CE	G110 8mbar

H - Ugello TuttaPiastra / Burner nozzle SolidTop 800 mm			
6DGT Code	Ref. / Notes		
0A2533	ø1.35	3+3B/P	G30 30mbar
0A2101	ø1.25	3B/P	G30 37mbar
059314	ø1.15	3B/P	G30 50mbar
0A2301	ø1.95	2H/2E+	G20 20mbar
A05176400	ø1.85	2H	G20 25mbar
0A2105	ø2.10	2L	G25 25mbar
0A2301	ø1.95	2K	G25.3 25mbar
0A2083	ø2.20	2ELL	G25 20mbar
0A2105	ø2.10	2S	G25.1 25mbar
0C0703	ø4.20	No CE	G110 8mbar

F - Pilota TuttaPiastra / Pilot nozzle SolidTop 400 mm			
6DGT Code	Ref./ Notes		
059216	n°14	3+3B/P	G30 30mbar
059216	n°14	3B/P	G30 37mbar
059216	n°14	3B/P	G30 50mbar
059215	n°27	2H/2E+	G20 20mbar
059215	n°27	2H	G20 25mbar
059215	n°27	2L	G25 25mbar
059215	n°27	2K	G25.3 25mbar
059215	n°27	2ELL	G25 20mbar
059215	n°27	2S	G25.1 25mbar
059381	n°75	No CE	G110 8mbar

F - Pilota TuttaPiastra / Pilot nozzle SolidTop 800 mm			
6DGT Code	Ref./ Notes		
059216	n°14	3+3B/P	G30 30mbar
059216	n°14	3B/P	G30 37mbar
059216	n°14	3B/P	G30 50mbar
059215	n°27	2H/2E+	G20 20mbar
059215	n°27	2H	G20 25mbar
059215	n°27	2L	G25 25mbar
059215	n°27	2K	G25.3 25mbar
059215	n°27	2ELL	G25 20mbar
059215	n°27	2S	G25.1 25mbar
059381	n°75	No CE	G110 8mbar

G - Vite di minimo T.P. / Min screw SolidTop 400 mm			
6DGT Code	Ref./ Notes		
002908	n° 70	3+3B/P	G30 30mbar
002908	n° 70	3B/P	G30 37mbar
002904	n° 60	3B/P	G30 50mbar
002902	n°105	2H/2E+	G20 20mbar
002902	n°105	2H	G20 25mbar
002902	n°105	2L	G25 25mbar
002902	n°105	2K	G25.3 25mbar
002902	n°105	2ELL	G25 20mbar
002902	n°105	2S	G25.1 25mbar
-	adjust	No CE	G110 8mbar

G - Vite di minimo T.P. / Min screw SolidTop 800 mm			
6DGT Code	Ref./ Notes		
002899	n° 80	3+3B/P	G30 30mbar
002899	n° 80	3B/P	G30 37mbar
002908	n° 70	3B/P	G30 50mbar
0C1326	n°120	2H/2E+	G20 20mbar
0C1326	n°120	2H	G20 25mbar
0C1326	n°120	2L	G25 25mbar
0C1326	n°120	2K	G25.3 25mbar
0C1326	n°120	2ELL	G25 20mbar
0C1326	n°120	2S	G25.1 25mbar
-	adjust	No CE	G110 8mbar

From sr. Nr/ Da Ser. Nr.:016

Page: 6
DATE. 2018 07

Doc. Nr.: **059785DU00**

Model	All								
Table	59785DU00		Page	6	Burner Nozzle				
Pos.	Spare Part	Alias Code	Repl. by	S	Info	Kit	Techn. Bulletin	Description	Notes
0000	000000	A05176400							
0000	002393			S		+		GAS NOZZLE; DIA 1,30	
0000	002899			S		+		MINIMUM SCREW; Ø=0,80; NG	
0000	002902			S		+		MINIMUM SCREW; Ø=1,05 MM	
0000	002904			S		+		MINIMUM SCREW	
0000	002908			S		+		NOZZLE; 0,69	
0000	003397					+		NOZZLE	
0000	003723			S		+		NOZZLE; Ø=1,75	
0000	054082					+		NOZZLE; DIA 1,10	
0000	054128							NOZZLE	
0000	055133							NOZZLE; GAS	
0000	056147							NOZZLE	
0000	059215			S				PILOT NOZZLE; N.27 GN	
0000	059216			S		+		PILOT NOZZLE; N.14 GPL	
0000	059314			S		+		NOZZLE; N°115; GPL	
0000	059356			S				PILOT NOZZLE; N°50; 8 MBAR; TOWN GAS	
0000	059357			S		+		GAS NOZZLE; N°85; GPL-50 MBAR	
0000	059381			S				PILOT BURNER NOZZLE; N°75; TOWN GAS	
0000	059383							NOZZLE; DIAM.2,80	
0000	059804			S				NOZZLE	
0000	0A2082			S		+		NOZZLE	
0000	0A2083			S				NOZZLE; N°220; NATURAL GAS	
0000	0A2088			S		+		GAS NOZZLE; N°95; GPL; 30-37MBAR	
0000	0A2091			S		+		NOZZLE FOR GAS; DIA. 1,45	
0000	0A2101			S		+		GAS NOZZLE; N°125; GPL	
0000	0A2103			S		+		NOZZLE; DIA 1,55	
0000	0A2105			S		+		NOZZLE; DIA,2,10	
0000	0A2301					+		NOZZLE; DIA 1,95	
0000	0A2533			S		+		NOZZLE	
0000	0C0509			S				NOZZLE; DIA. 1.85	
0000	0C0703							NOZZLE; DIA 4,2	
0000	0C1326							SCREW; 1.20	
0000	0C2810			S				NOZZLE; DIA 1,20	
0000	0C2811							NOZZLE; DIA 2,00 POLIDORO	